



US0D1039331S

(12) **United States Design Patent**
Zhang et al.

(10) **Patent No.:** **US D1,039,331 S**

(45) **Date of Patent:** **** Aug. 20, 2024**

- (54) **VACUUM BOTTLE**
- (71) Applicant: **Shenzhen Crastal Technology CO. LTD**, Shenzhen (CN)
- (72) Inventors: **George Mohan Zhang**, Shenzhen (CA); **Yanxin Lu**, Shenzhen (CN); **Zhen Sun**, Shenzhen (CN)
- (73) Assignee: **SHENZHEN CRASTAL TECHNOLOGY CO. LTD**, Guangdong (CN)

5,205,473 A * 4/1993 Coffin, Sr. B65D 3/22
220/DIG. 30
D353,973 S * 1/1995 Adado D7/510
5,385,260 A * 1/1995 Gatcomb B65D 3/22
493/115

(Continued)

FOREIGN PATENT DOCUMENTS

CN 301423644 * 12/2010
CN 307446284 * 7/2022

(Continued)

OTHER PUBLICATIONS

Comi [online] URL: <https://www.amazon.com/COMI-Travel-Tumbler-Smoothie-Dual-use/dp/B0CCJDFGR6> (site visited: May 28, 2024) (Year: 2023).*

(Continued)

Primary Examiner — Michael C Stout
Assistant Examiner — Tia Ruth-Renee Polidori
(74) *Attorney, Agent, or Firm* — Kunzler Bean & Adamson, PC; Michael Bartholomew

(57) **CLAIM**

The ornamental design for a vacuum bottle, as shown and described.

DESCRIPTION

FIG. 1 is a front and top perspective view of a vacuum bottle, showing our new design;
FIG. 2 is a rear and bottom perspective view thereof;
FIG. 3 is a front elevation view thereof;
FIG. 4 is a rear elevation view thereof;
FIG. 5 is a left side elevation view thereof;
FIG. 6 is a right side elevation view thereof;
FIG. 7 is a top plan view thereof; and,
FIG. 8 is a bottom plan view thereof.
The broken lines in the figures illustrate portions of the vacuum bottle that form no part of the claimed design.

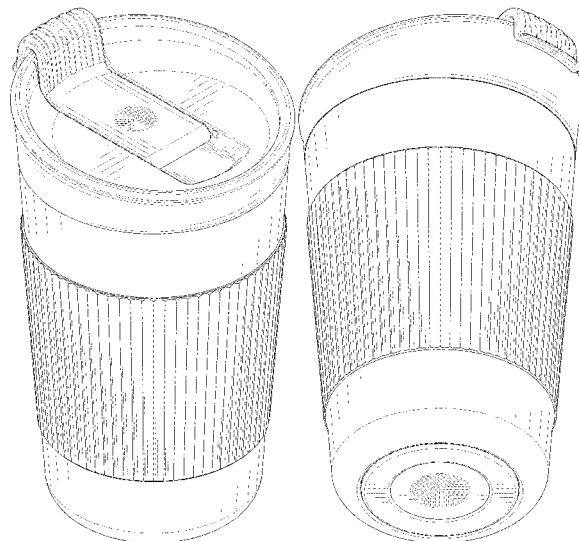
1 Claim, 8 Drawing Sheets

- (**) Term: **15 Years**
- (21) Appl. No.: **29/835,085**
- (22) Filed: **Apr. 15, 2022**
- (30) **Foreign Application Priority Data**
Apr. 7, 2022 (CN) 202230190478.0
- (51) **LOC (14) Cl.** **07-01**
- (52) **U.S. Cl.**
USPC **D7/511; D7/510**
- (58) **Field of Classification Search**
USPC D7/507, 509-511, 533, 536, 543, 300.1, D7/300.2, 619.1, 391, 392.1, 396.1, D7/396.2, 629, 900; D3/202; D9/503, D9/435
CPC A63F 2009/0058; A47G 19/2205; A47G 21/18; A47J 41/00; B65D 1/00
See application file for complete search history.

(56) **References Cited**

U.S. PATENT DOCUMENTS

2,984,035 A * 5/1961 Nalle, Jr. B65D 11/16
215/386
3,203,611 A * 8/1965 Anderson B29C 51/165
220/DIG. 14



(56)

References Cited

U.S. PATENT DOCUMENTS

5,695,282 A * 12/1997 Hess B01F 31/441
 366/256
 D458,081 S * 6/2002 Bodum D7/510
 D480,268 S * 10/2003 Laib D7/510
 D485,759 S * 1/2004 Janky D9/449
 D572,975 S * 7/2008 Germany D7/510
 D574,190 S * 8/2008 Homma D7/510
 D604,103 S * 11/2009 Alviar D7/533
 D621,659 S * 8/2010 Liu D7/532
 D642,862 S * 8/2011 Tobias D7/510
 D655,967 S * 3/2012 Bodum D7/412
 D657,195 S * 4/2012 Menceles D7/510
 D662,354 S * 6/2012 Bodum D7/392.1
 8,336,732 B1 * 12/2012 Tobias B65D 1/265
 220/837
 D674,663 S * 1/2013 Cahen D7/532
 D696,906 S * 1/2014 Roth B65D 43/0231
 D7/510
 D723,871 S * 3/2015 Khubani D7/505
 D740,611 S * 10/2015 Crosby D9/429
 D740,612 S * 10/2015 Crosby D9/429
 D755,628 S * 5/2016 Matsui D9/447
 D756,787 S * 5/2016 Marchant D9/503
 D792,155 S * 7/2017 Stover D7/532
 D805,838 S * 12/2017 Guthrie D7/392.1
 D817,093 S * 5/2018 Silsby D7/532
 D834,882 S * 12/2018 Seiders D9/449
 D844,383 S * 4/2019 Seiders D7/532
 D850,205 S * 6/2019 Hotell D7/532
 D861,415 S * 10/2019 Seiders D7/392.1
 D863,876 S * 10/2019 Alprin D7/392.1
 D868,536 S * 12/2019 Henkel D7/511
 D885,138 S * 5/2020 Braidotti D7/533
 D894,684 S * 9/2020 Kander D7/531
 D941,092 S * 1/2022 Roberts D7/529
 D954,501 S * 6/2022 McCabe D7/510
 D966,038 S * 10/2022 Ames D7/510
 2009/0071967 A1 * 3/2009 Park B65D 81/3865
 220/592.2
 2012/0125931 A1 * 5/2012 Roth B65D 43/0231
 220/254.3

FOREIGN PATENT DOCUMENTS

CN 308379927 * 12/2023
 GB 6329730 * 12/2023

OTHER PUBLICATIONS

SmrtMugg [online] URL: <https://www.amazon.com/dp/B0D1322LH2> (site visited: May 28, 2024) (Year: 2024).*

Neon Kactus [online] URL: <https://www.amazon.com/Neon-Kactus-Double-Walled-Resealable-Food-Grade/dp/B09N3R165P> (site visited: May 28, 2024) (Year: 2021).*

Generic [online] URL: <https://www.amazon.com/Reusable-Glass-Coffee-Straw-16oz/dp/B0BKKS5ZSD> (site visited: May 28, 2024) (Year: 2022).*

Yinjam [online] URL: <https://www.amazon.com/Reusable-Insulated-Insulation-Stainless-Thermal/dp/B08MVXKVXR> (site visited: May 28, 2024) (Year: 2021).*

Ketiee [online] URL: <https://www.amazon.com/KETIEE-Insulated-Tumbler-Reusable-Stainless/dp/B09Y28SNKB> (site visited: May 28, 2024) (Year: 2021).*

Bubba [online] URL: <https://www.amazon.com/dp/B06ZYBJ8P1> (site visited: May 28, 2024) (Year: 2018).*

Huskee [online] URL: <https://huskee.co/12oz-cup-lid/> (site visited: May 28, 2024) (Year: 2024).*

MiiR [online] URL: <https://www.amazon.com/MiiR-Insulated-Tumbler-Locking-Compatible/dp/B07GQ4T12M> (site visited: May 28, 2024) (Year: 2018).*

Dollar Tree [online] URL: <https://www.dollartree.com/fall-colored-travel-tumblers-with-pop-top-lids-7x3625-in/288914> (site visited: May 28, 2024) (Year: 2020).*

Febu [online] URL: <https://www.amazon.com/FEBU-Plant-Based-Reusable-Dishwasher-Leak-Proof/dp/B0B7GXZ77B> (site visited: May 28, 2024) (Year: 2021).*

Buydeem [online] URL: <https://www.facebook.com/Buydeem/photos/pb.100063525490904.-2207520000/635444861619854/?type=3> (site visited: May 28, 2024) (Year: 2022).*

* cited by examiner

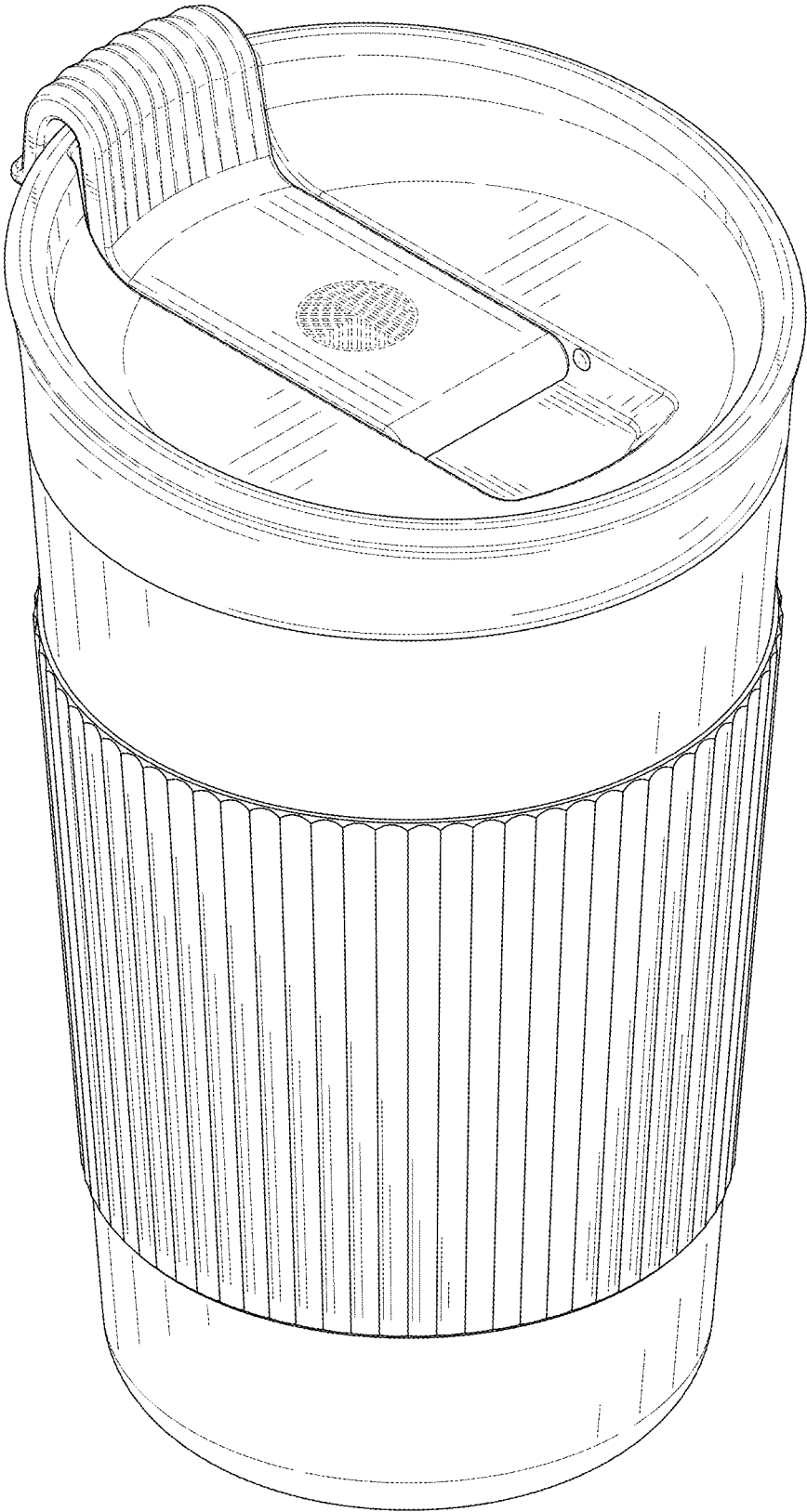


FIG. 1

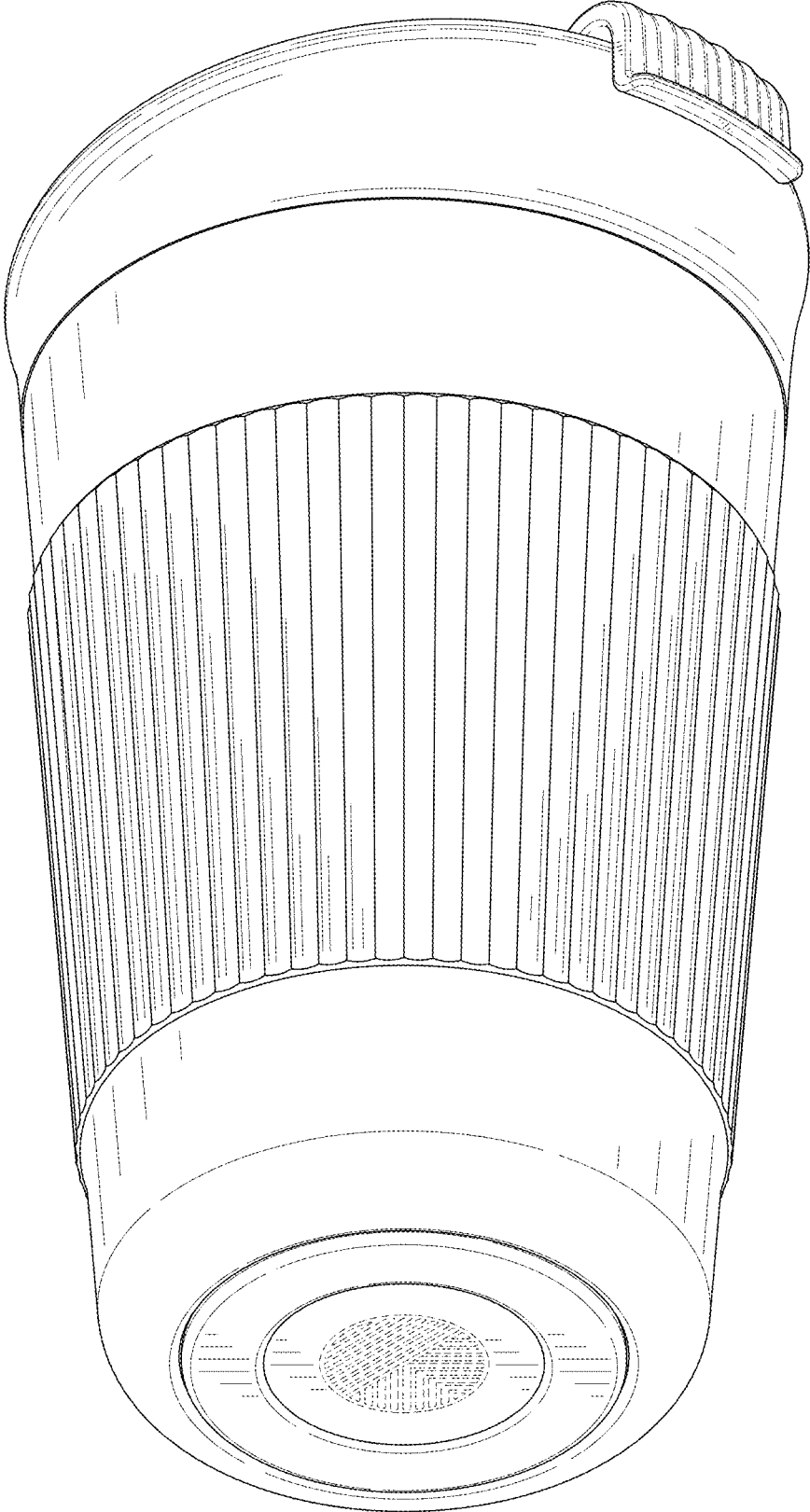


FIG. 2

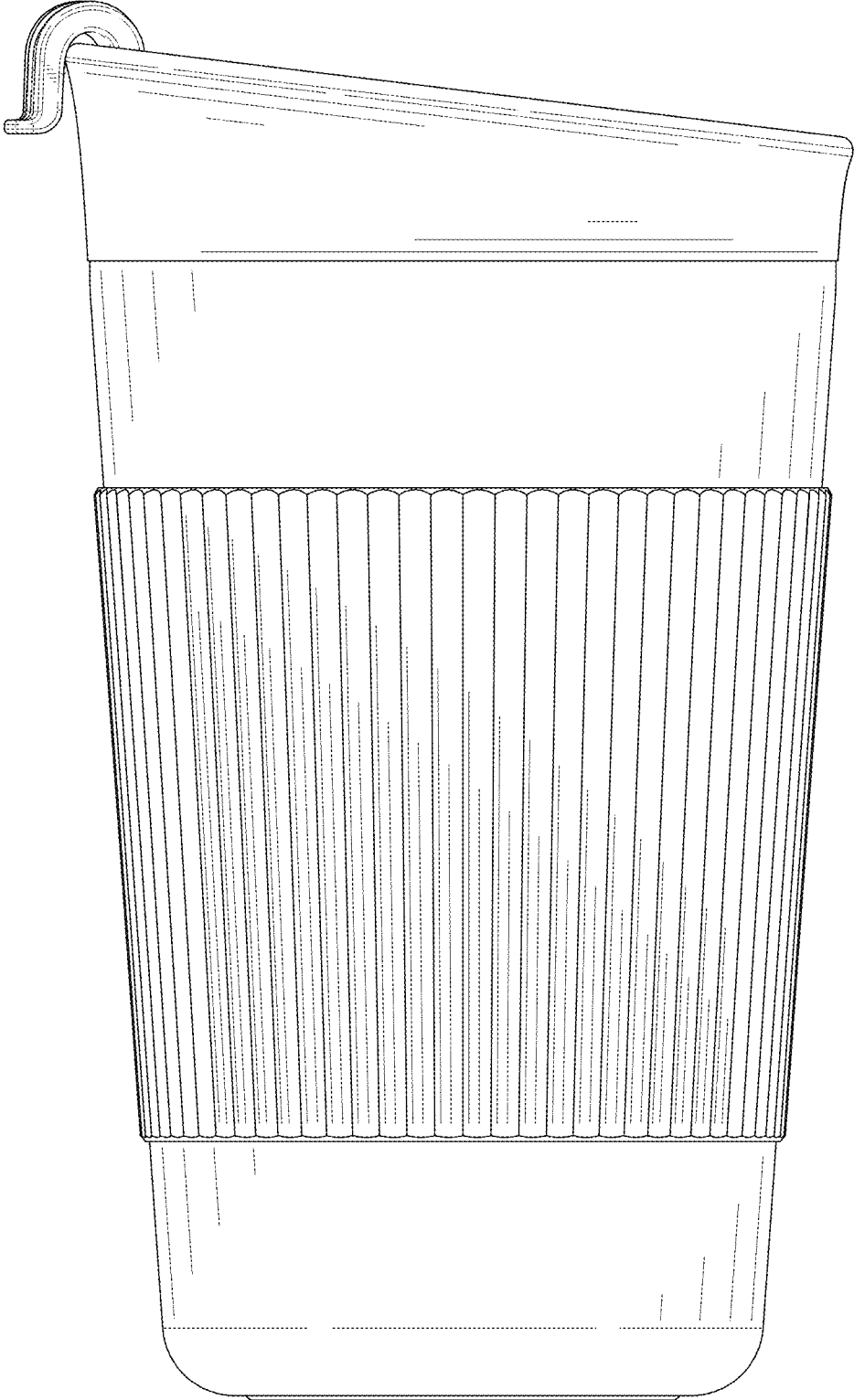


FIG. 3

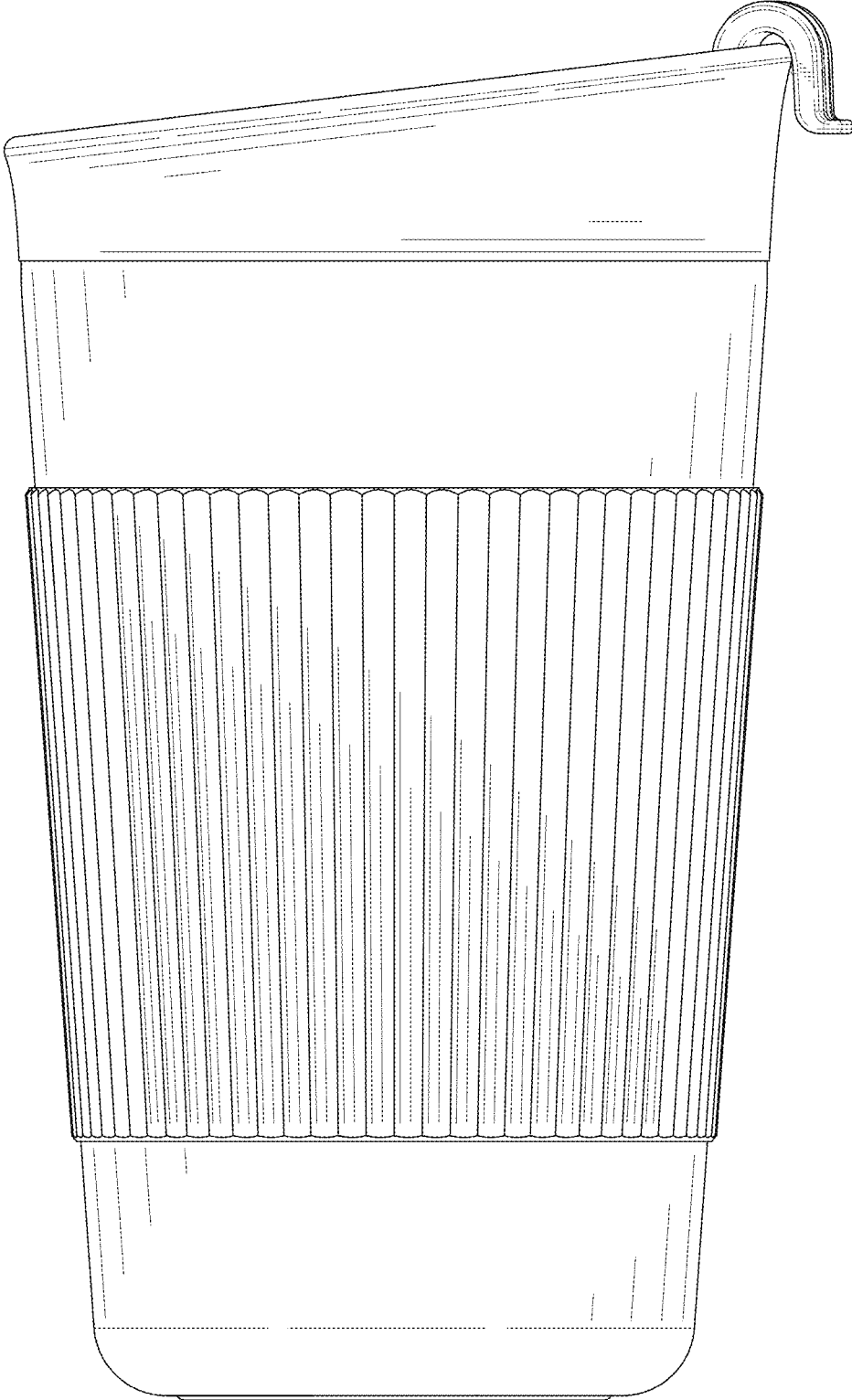


FIG. 4

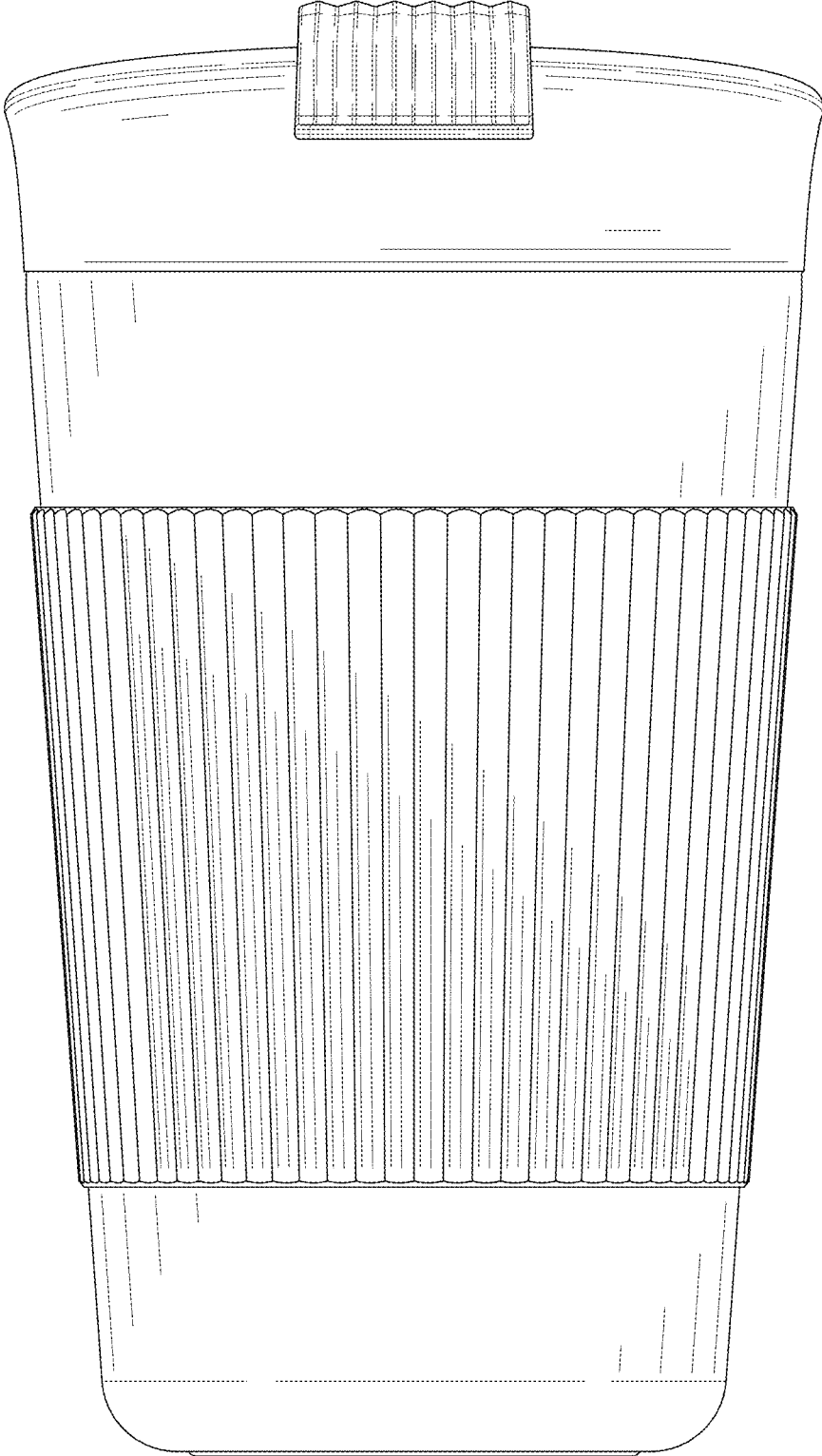


FIG. 5

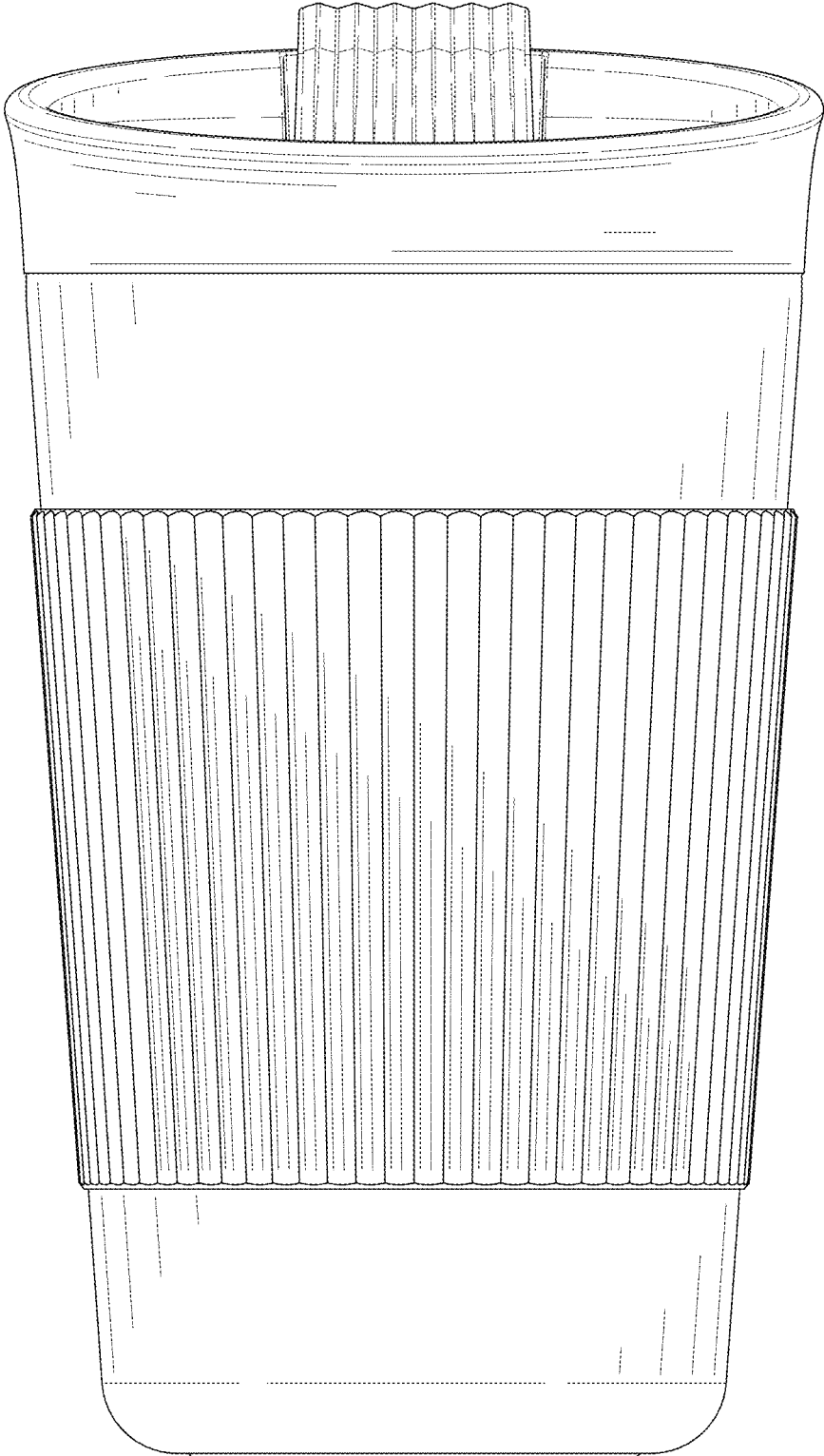


FIG. 6

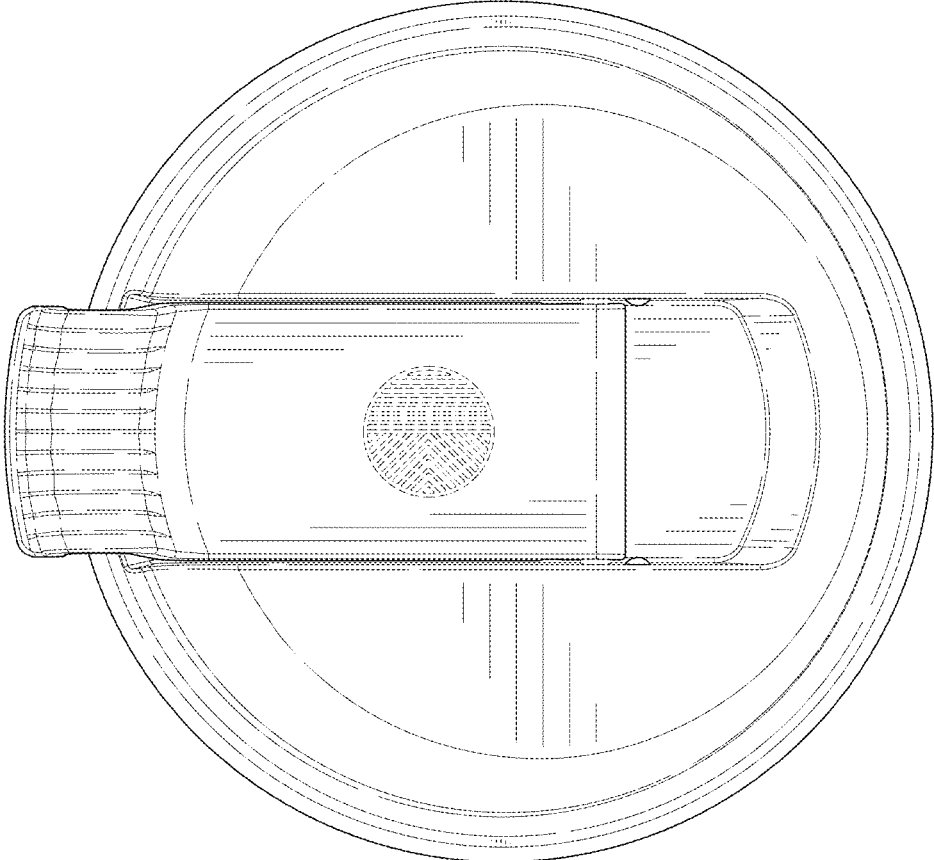


FIG. 7

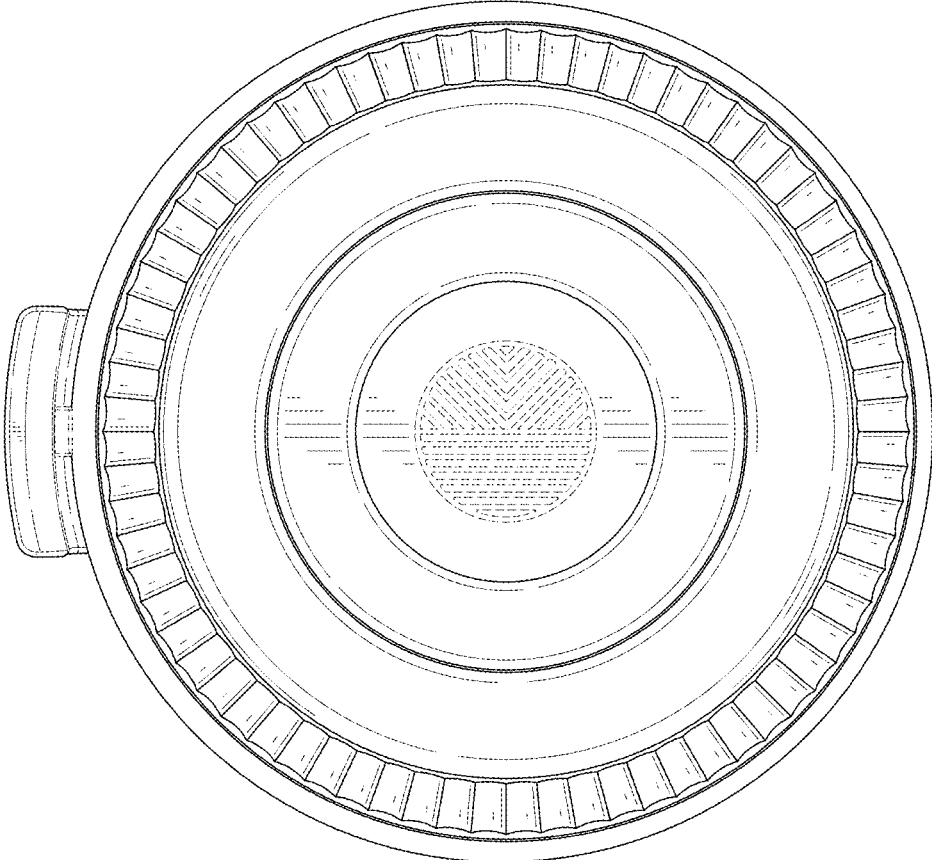


FIG. 8