



US00D595347S

(12) **United States Design Patent**
Tjin Wong Joe et al.

(10) **Patent No.:** **US D595,347 S**

(45) **Date of Patent:** **** Jun. 30, 2009**

(54) **PRINTER**

(75) Inventors: **Mylene A. K. Tjin Wong Joe**, Singapore (SG); **Kok Chai Chong**, Yishun (SG); **Qian Tao**, Singapore (SG)

(73) Assignee: **Hewlett-Packard Development Company, L.P.**, Houston, TX (US)

(**) Term: **14 Years**

(21) Appl. No.: **29/305,086**

(22) Filed: **Mar. 13, 2008**

(51) **LOC (9) Cl.** **14-02**

(52) **U.S. Cl.** **D18/55**

(58) **Field of Classification Search** D18/36-39, D18/19, 50, 54, 54.1, 55; D14/420-425, D14/463-470; 400/613, 613.1-613.4, 690.1-690.4, 400/691-694

See application file for complete search history.

(56) **References Cited**

U.S. PATENT DOCUMENTS

- D501,667 S * 2/2005 Ishigami et al. D18/50
- D518,515 S * 4/2006 Miyauchi et al. D18/55
- D532,449 S * 11/2006 Tjin Wong Joe et al. D18/55
- D532,450 S * 11/2006 Smith et al. D18/55

- D550,279 S * 9/2007 Tani D18/50
- D561,250 S * 2/2008 Smith et al. D18/55
- D561,251 S * 2/2008 Tjin Wong Joe et al. D18/55
- D573,633 S * 7/2008 Laidlaw et al. D18/55
- D579,973 S * 11/2008 Park et al. D18/55
- D581,976 S * 12/2008 Park et al. D18/55

* cited by examiner

Primary Examiner—Cathy Anne MacCormac

(57) **CLAIM**

The ornamental design for a printer, as shown and described.

DESCRIPTION

FIG. 1 is a front perspective view of a printer showing our new design.

FIG. 2 is a front elevation view of the printer.

FIG. 3 is a right side elevation view of the printer.

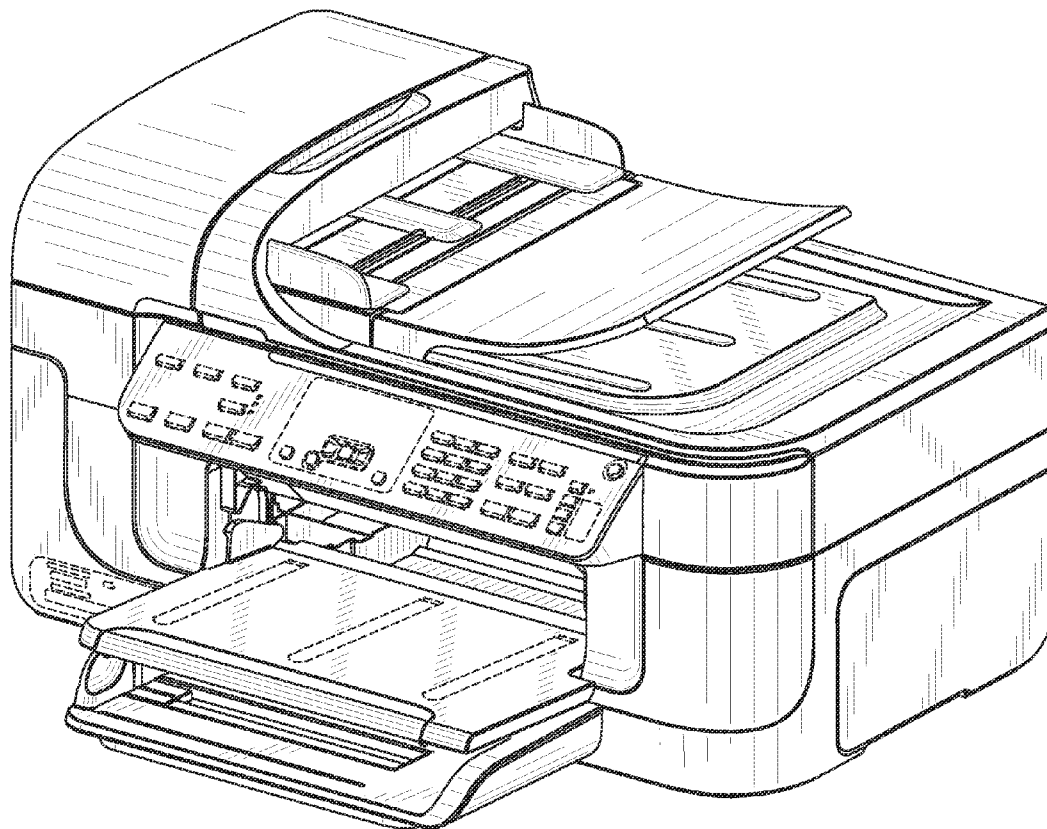
FIG. 4 is a left side elevation view of the printer.

FIG. 5 is a top plan view of the printer; and,

FIG. 6 is a rear elevation view of the printer.

All Figures show various control devices, various connectors of the printer and/or user interface elements of the printer in broken lines. The broken lines in the Figures are for illustrative purposes only and form no part of the claimed design.

1 Claim, 6 Drawing Sheets



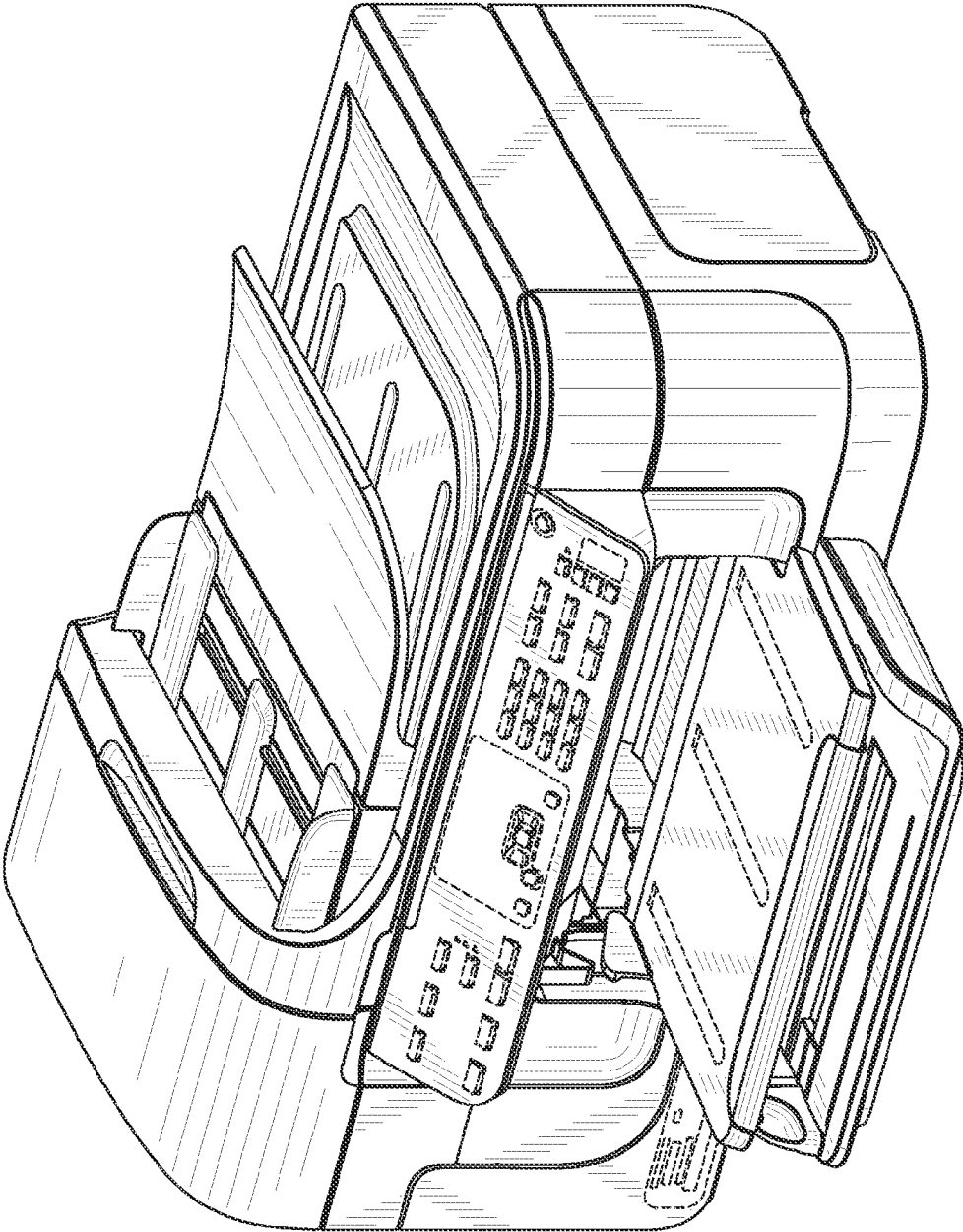


FIG. 1

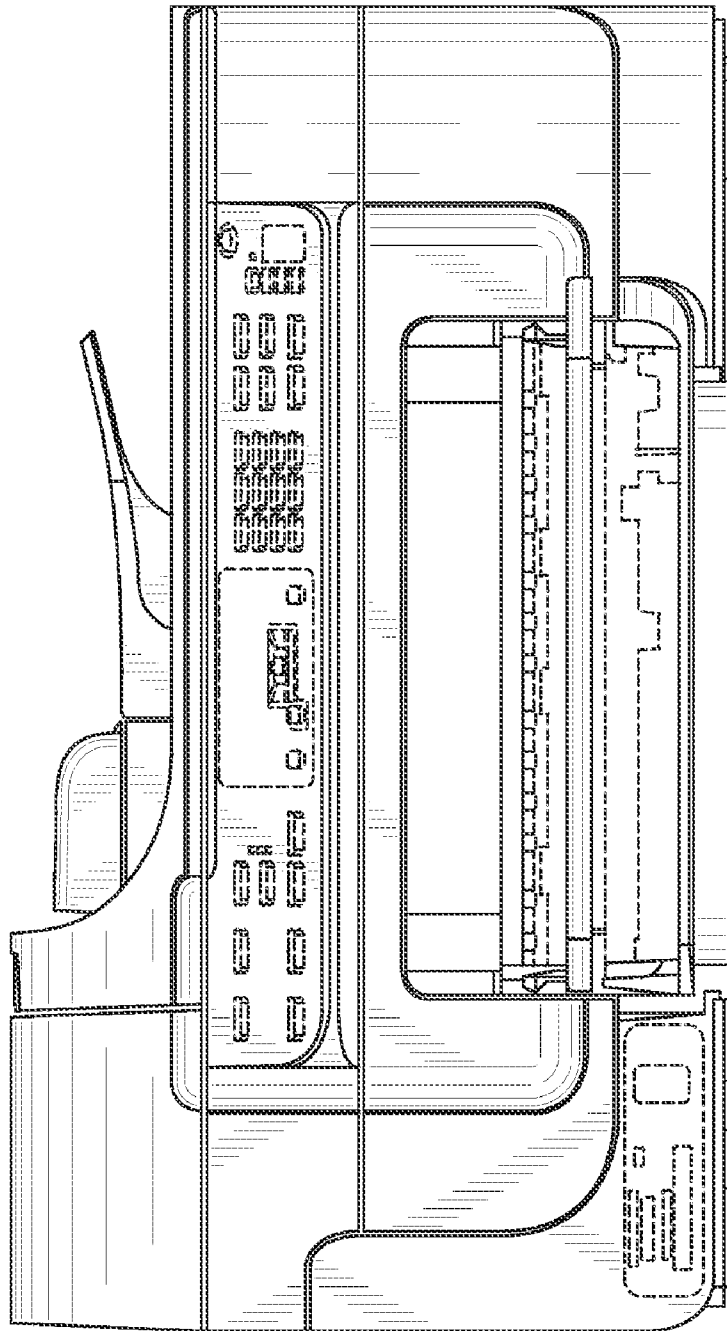


FIG. 2

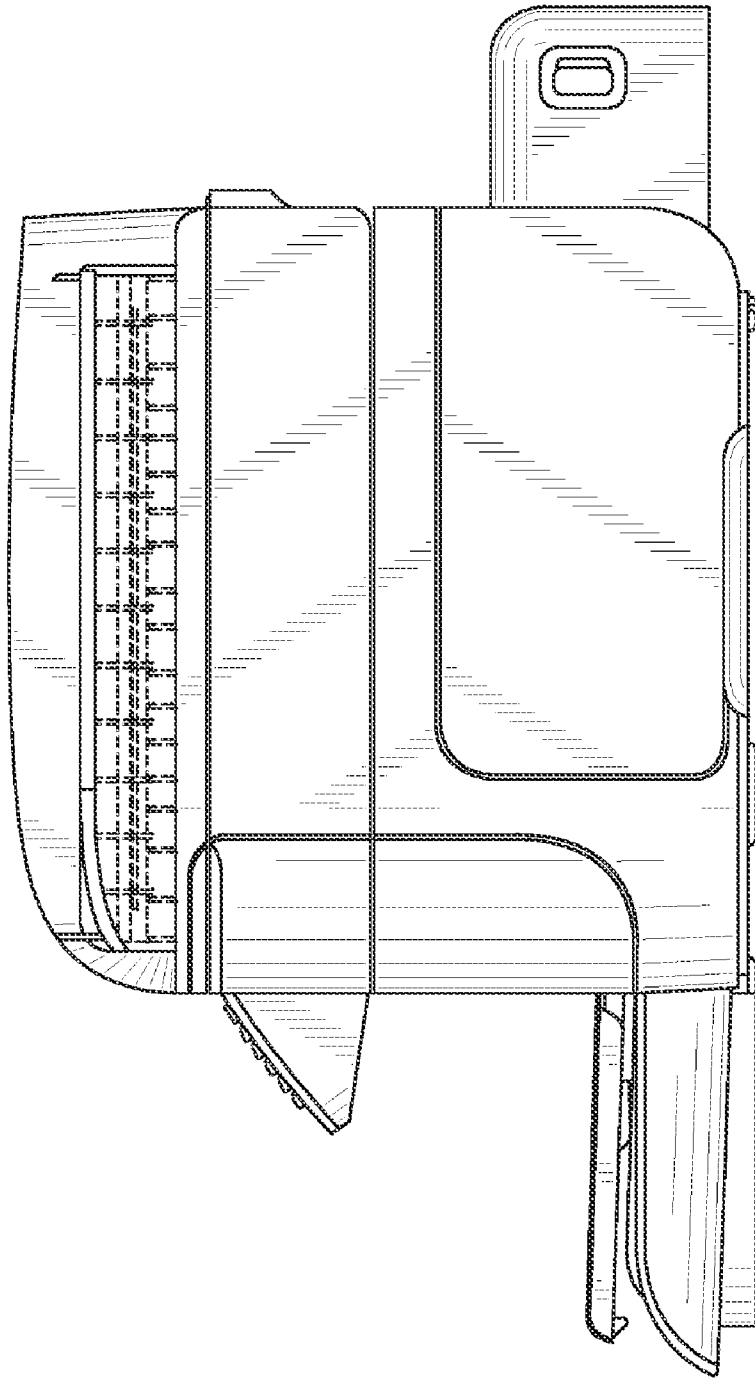


FIG. 3

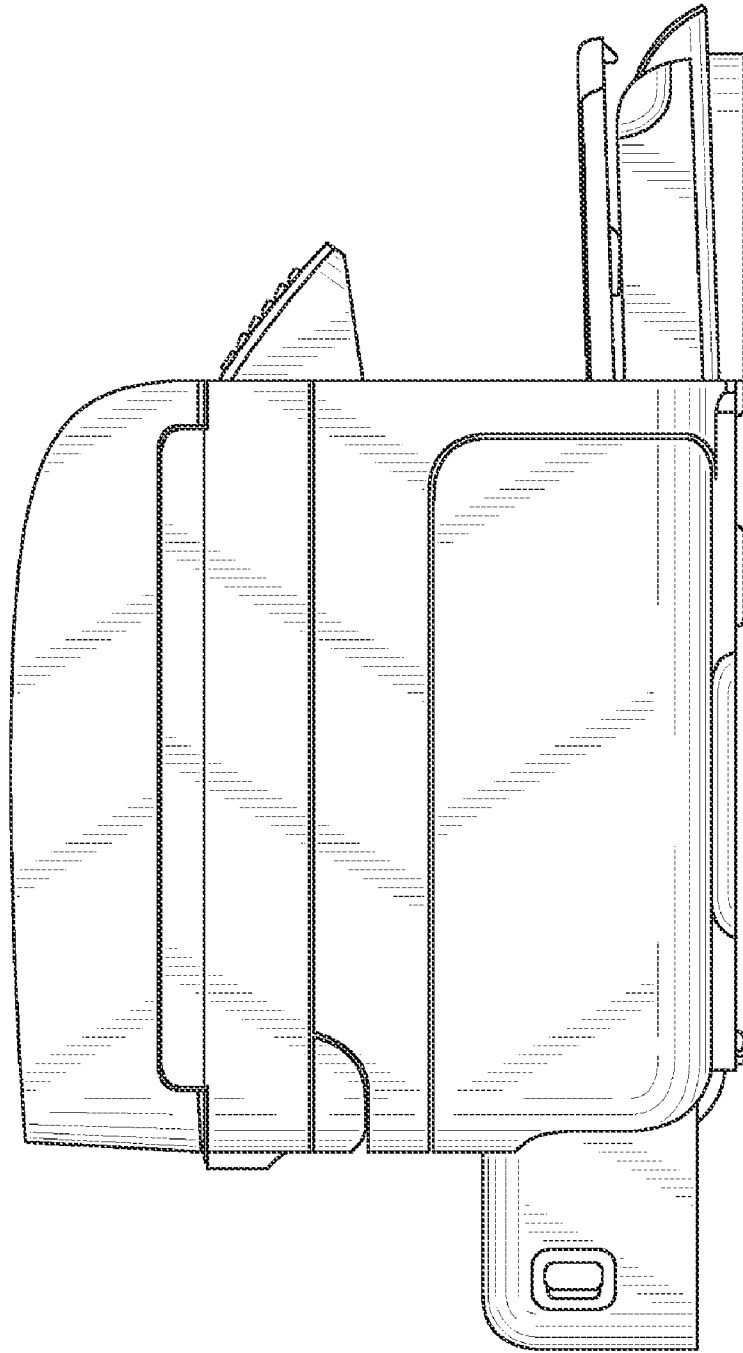


FIG. 4

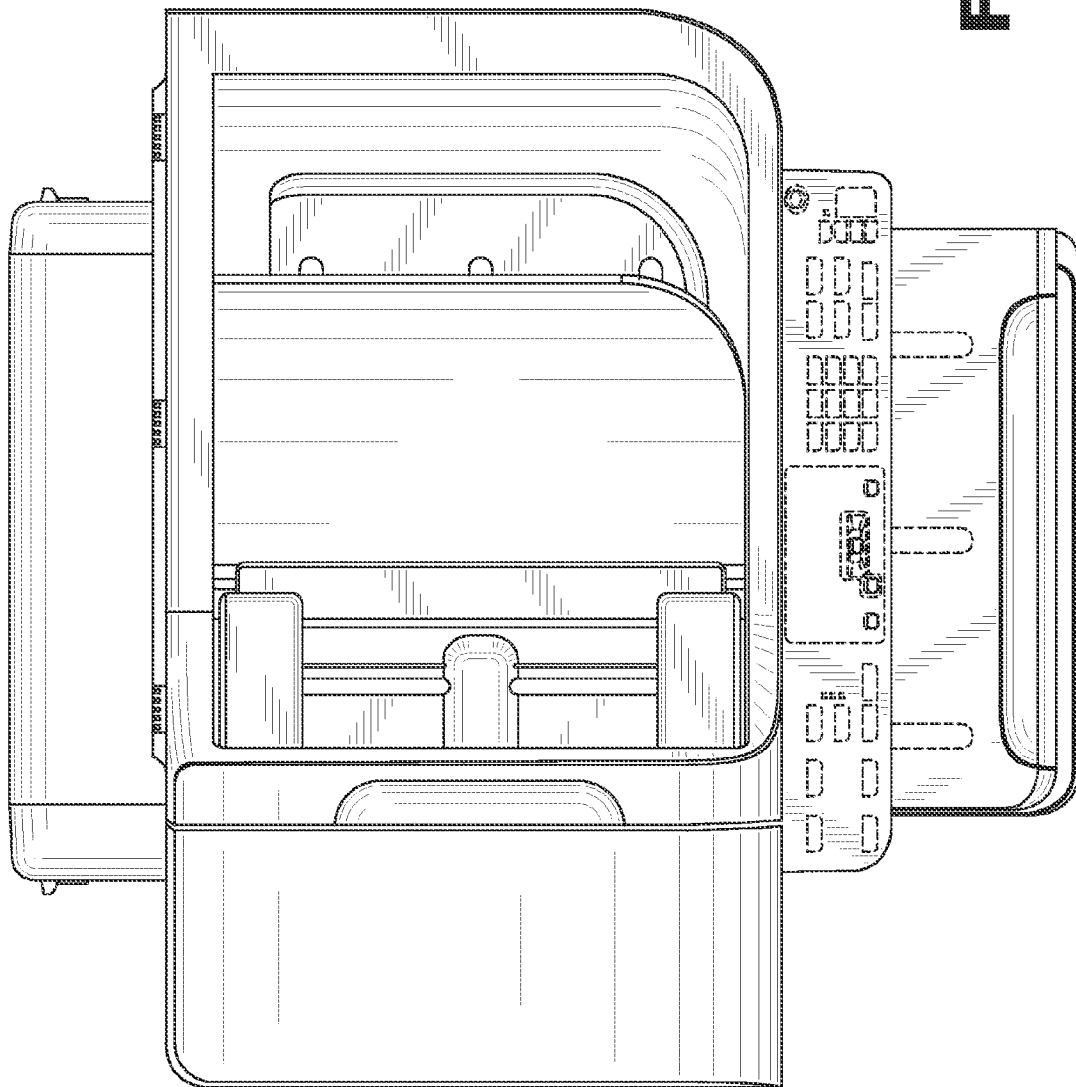


FIG. 5

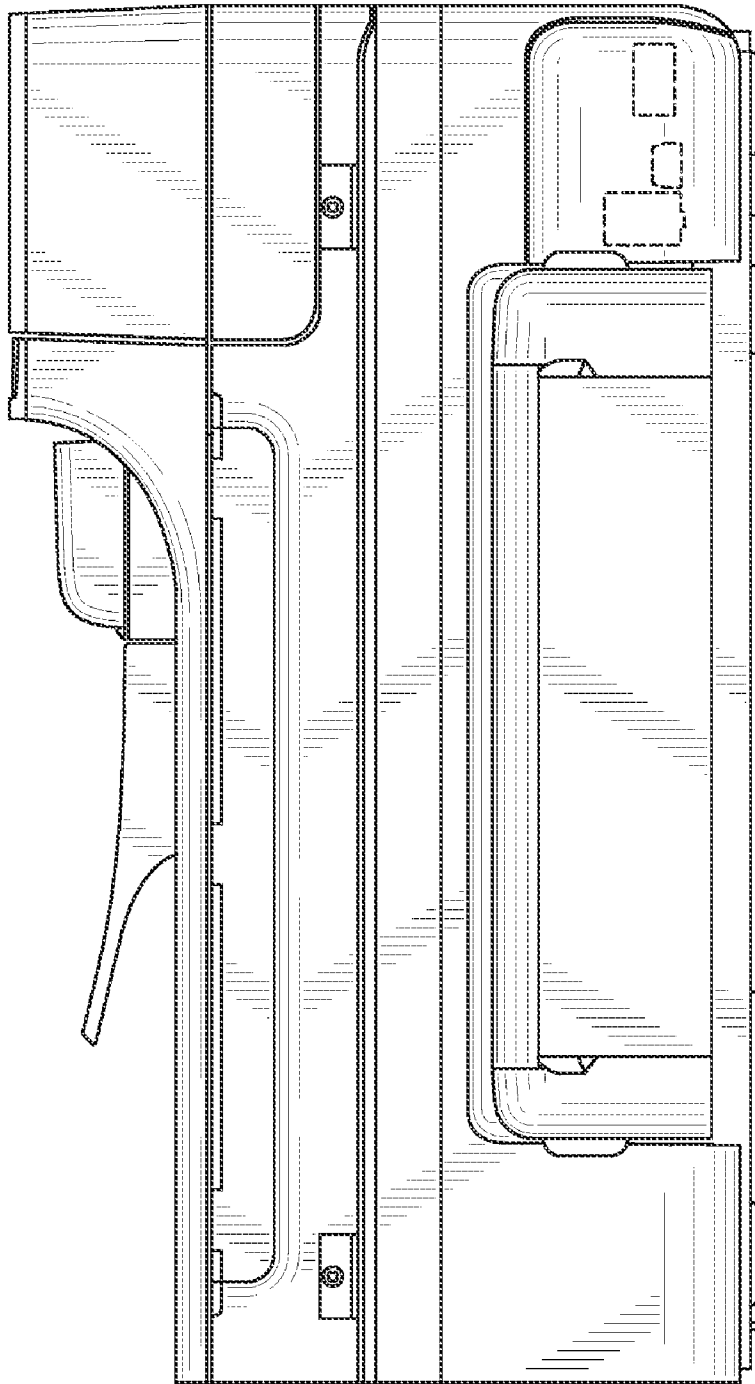


FIG. 6