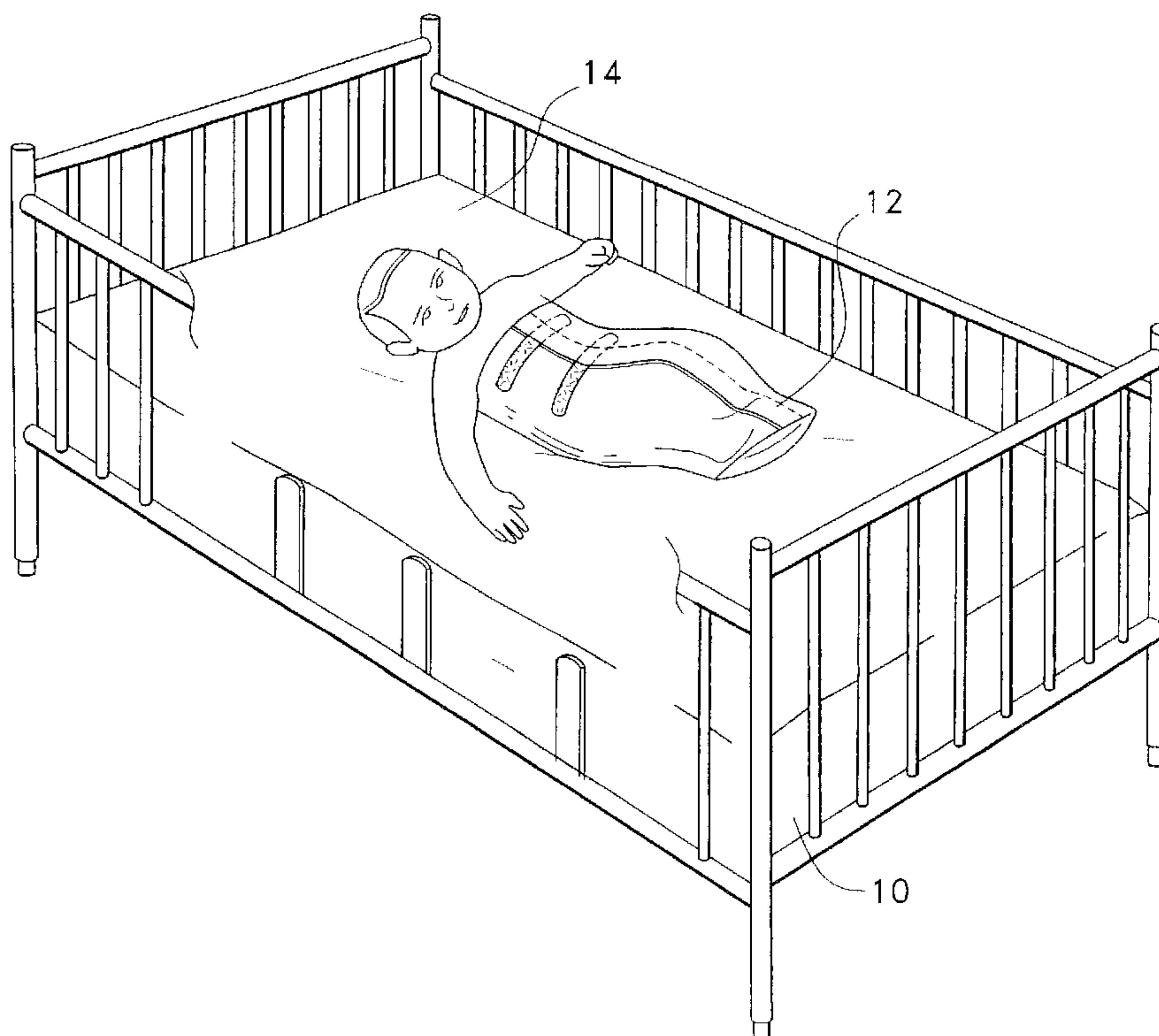




(86) Date de dépôt PCT/PCT Filing Date: 2003/02/19  
 (87) Date publication PCT/PCT Publication Date: 2003/08/28  
 (85) Entrée phase nationale/National Entry: 2004/08/16  
 (86) N° demande PCT/PCT Application No.: US 2003/004509  
 (87) N° publication PCT/PCT Publication No.: 2003/070033  
 (30) Priorités/Priorities: 2002/02/15 (60/356,773) US;  
 2002/04/05 (10/115,896) US; 2002/06/21 (10/176,083) US

(51) Cl.Int.<sup>7</sup>/Int.Cl.<sup>7</sup> A41D 11/00, A47G 9/02  
 (71) Demandeurs/Applicants:  
 SAFETY ROO, INC., US;  
 LANDRY, JO-ANN C., US  
 (72) Inventeur/Inventor:  
 LANDRY, JO-ANN C., US  
 (74) Agent: ROBIC

(54) Titre : ENSEMBLE DRAP/COUVERTURE DE SECURITE POUR LIT D'ENFANT  
 (54) Title: CRIB SAFETY SHEET/BLANKET



(57) Abrégé/Abstract:

A crib safety sheet/blanket (10) with a sheet portion (14) having a front surface and a back surface two opposing ends defining pockets for snugly fitting the sheet (14) to a mattress. A blanket (12) is sewn along its midline to the center of the fitted sheet (14), defining two blanket halves. Mating strips of hook and loop fastening material are attached to the two halves of the blanket (12), so that an infant may be placed on the blanket (12) with the two halves of the blanket (12) wrapped around the infant and fastened to retain the infant in a supine position. A plurality of elastic straps may extend across the bottom of the fitted sheet (14) and be removably secured to the side of the sheet (14) with mating strips of hook and loop fastening material to retain the sheet (14) on the mattress.

## (12) INTERNATIONAL APPLICATION PUBLISHED UNDER THE PATENT COOPERATION TREATY (PCT)

(19) World Intellectual Property Organization  
International Bureau(43) International Publication Date  
28 August 2003 (28.08.2003)

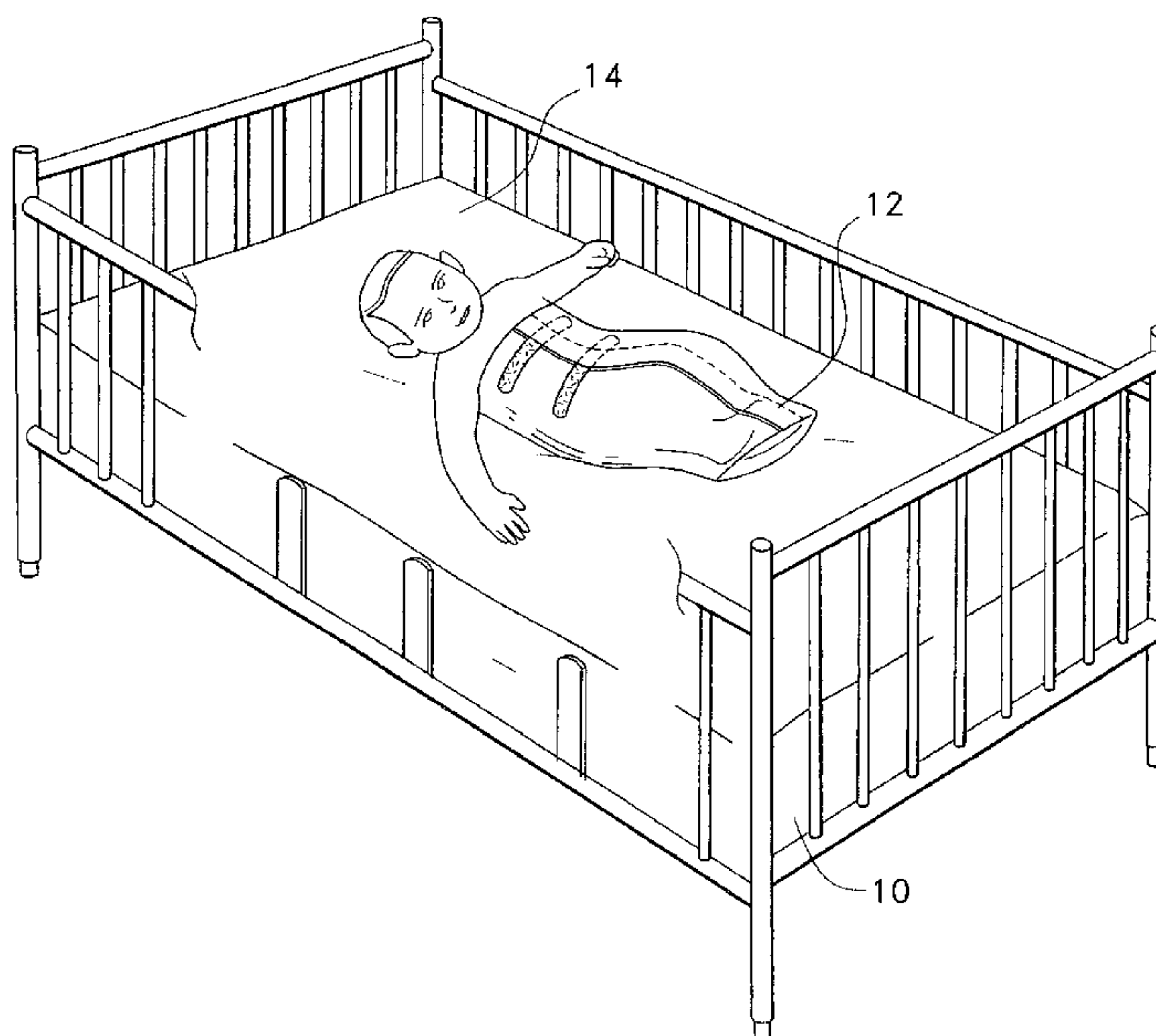
PCT

(10) International Publication Number  
WO 03/070033 A2

- (51) International Patent Classification<sup>7</sup>: **A41D**
- (21) International Application Number: PCT/US03/04509
- (22) International Filing Date: 19 February 2003 (19.02.2003)
- (25) Filing Language: English
- (26) Publication Language: English
- (30) Priority Data:  
60/356,773 15 February 2002 (15.02.2002) US  
10/115,896 5 April 2002 (05.04.2002) US  
10/176,083 21 June 2002 (21.06.2002) US
- (71) Applicant (for all designated States except US): **SAFETY ROO, INC.** [US/US]; 4444 Moratock Lane, Clemmons, NC 27012 (US).
- (71) Applicant and  
(72) Inventor: **LANDRY, Jo-Ann, C.** [US/US]; 4444 Moratock Lane, Clemmons, NC 27012 (US).
- (74) Agents: **LITMAN, Richard, C.** et al.; Litman Law Offices, Ltd., P.O. Box 15035, Crystal City Station, Arlington, VA 22215 (US).
- (81) Designated States (*national*): AE, AG, AL, AM, AT, AU, AZ, BA, BB, BG, BR, BY, BZ, CA, CH, CN, CO, CR, CU, CZ, DE, DK, DM, DZ, EC, EE, ES, FI, GB, GD, GE, GH, GM, HR, HU, ID, IL, IN, IS, JP, KE, KG, KP, KR, KZ, LC, LK, LR, LS, LT, LU, LV, MA, MD, MG, MK, MN, MW, MX, MZ, NO, NZ, OM, PH, PL, PT, RO, RU, SC, SD, SE, SG, SK, SL, TJ, TM, TN, TR, TT, TZ, UA, UG, US, UZ, VC, VN, YU, ZA, ZM, ZW.
- (84) Designated States (*regional*): ARIPO patent (GH, GM, KE, LS, MW, MZ, SD, SL, SZ, TZ, UG, ZM, ZW), Eurasian patent (AM, AZ, BY, KG, KZ, MD, RU, TJ, TM), European patent (AT, BE, BG, CH, CY, CZ, DE, DK, EE, ES, FI, FR, GB, GR, HU, IE, IT, LU, MC, NL, PT, SE, SI, SK, TR), OAPI patent (BF, BJ, CF, CG, CI, CM, GA, GN, GQ, GW, ML, MR, NE, SN, TD, TG).
- Published:**  
— without international search report and to be republished upon receipt of that report

[Continued on next page]

(54) Title: CRIB SAFETY SHEET/BLANKET



(57) **Abstract:** A crib safety sheet/blanket (10) with a sheet portion (14) having a front surface and a back surface two opposing ends defining pockets for snugly fitting the sheet (14) to a mattress. A blanket (12) is sewn along its midline to the center of the fitted sheet (14), defining two blanket halves. Mating strips of hook and loop fastening material are attached to the two halves of the blanket (12), so that an infant may be placed on the blanket (12) with the two halves of the blanket (12) wrapped around the infant and fastened to retain the infant in a supine position. A plurality of elastic straps may extend across the bottom of the fitted sheet (14) and be removably secured to the side of the sheet (14) with mating strips of hook and loop fastening material to retain the sheet (14) on the mattress.



WO 03/070033 A2

**WO 03/070033 A2**

---



*For two-letter codes and other abbreviations, refer to the "Guidance Notes on Codes and Abbreviations" appearing at the beginning of each regular issue of the PCT Gazette.*

## CRIB SAFETY SHEET/BLANKET

### TECHNICAL FIELD

5           The present invention relates to sheets and blankets for an infant's crib or bed, and more particularly to an infant sheet and blanket combination adapted to secure an infant in a crib or bed.

### BACKGROUND ART

10           There are a variety of infant blankets and coverings for infants present in the art. In the past many designs functioned only to keep an infant warm while sleeping. Today much more is known about infant sleeping patterns and sleeping safety. The concern for infant warmth is now shared with the concern for infant comfort and safety. Some infants frequently change positions while sleeping, so it is desirable to make an infant's sleeping environment as free as possible of suffocation hazards while at the same time insuring the infant is kept in a secure sleeping position.

15           An additional consideration in infant bedding design is Sudden Infant Death Syndrome (SIDS) in which an apparently healthy infant will expire in a crib for no apparent reason. While the causes of SIDS still remain somewhat a mystery it is thought that sleeping in the prone position may increase the likelihood of SIDS. A device to maintain an infant in the supine position while sleeping is therefore desirable.

20           U.S. Pat. No. 2,677,834 is typical of the earlier designs. The '834 patent discloses a crib blanket which is secured to the side of a crib with snap together fasteners. The blanket also contains a single strap

along the blanket's upper margin for securing an infant to the blanket. This invention will keep a blanket secure in its relation to the crib but, unlike the present invention, uses only a single strap to secure the infant under the blanket. Further, the blanket is not attached to the crib sheet.

Other designs such as U.S. Pat. Nos. 3,845,513 and 4,202,052 disclose fitted garments which are sewn to crib sheets to restrict the movements of infants. The '513 patent shows a sleeping bag blanket secured to a bedlinen sheet, the baby being secured in the sleeping bag by a diaper retainer with button down flaps and by a pull down zipper. The '052 patent shows a sheet with a central pleat having an opening defined therein to which a jacket may be attached, the jacket being secured around the infant by what appear to be button or snap fasteners. No blanket is shown. Infants must be manipulated to be secured in these garment-type inventions, which often wakes the infant as he or she is being put to bed, a highly undesirable side effect.

U.S. Pat. No. 6,301,729 discloses one bedding device designed to prevent SIDS. It is a pocket like blanket device which secures an infant between one edge of the pocket and a mattress. This bedding device does not secure an infant in the same manner as the present invention however, nor does it permit an infant to be positioned on its side without the risk of the infant moving into the prone position while sleeping. The '301 invention also does not prevent an infant from squirming downward into the blanket pocket which could cause a suffocation hazard.

Therefore, it is desirable to have an infant bedding product which will function to keep an infant covered and warm, is as free as possible of suffocation hazards, is easy to use, is adjustable and will prevent an infant from moving into the prone sleeping position while still permitting some infant movement.

None of the above inventions and patents, taken either singly or in combination, is seen to describe the instant invention as claimed.

## DISCLOSURE OF THE INVENTION

The present invention is a combination safety sheet/blanket. The combination safety sheet/blanket has a fitted sheet with a top surface, a bottom surface, a first side and an opposing second side, and two opposing ends defining pockets for snugly fitting the sheet to a mattress. A first blanket having a top surface, a bottom surface, and a longitudinal midline, is sewn to the top surface of the fitted sheet along the midline, defining two blanket halves. A blanket fastening means is provided for temporarily fastening the two halves of the blanket together when the two halves are wrapped around an infant. A plurality of straps are provided. Each strap has a first end fixedly attached to the first side of the fitted sheet. Strap fastening means are provided for removably attaching a second end of each strap to the second side of the fitted sheet. The fitted sheet may be secured to a mattress and the two halves of the blanket may be wrapped about an infant and secured by the blanket fastening means in order to retain the infant in the supine position while sleeping.

Also part of the invention is a combination safety sheet/blanket for infants. The combination safety sheet/blanket includes a sheet and a first blanket having a top surface, a bottom surface, and a longitudinal midline. The first blanket is sewn to the top surface of the sheet along the midline, defining two halves. Blanket fastening means for temporarily fastening the two halves of the first blanket are provided as described above. The safety sheet/blanket also has means for attaching the sheet to a sleeping surface.

## BRIEF DESCRIPTION OF THE DRAWINGS

Fig. 1 is a fragmented, environmental, perspective view of a crib safety sheet/blanket according to the present invention with an infant secured in the blanket.

Fig. 2 is a top view of a crib safety sheet/blanket positioned around a mattress.

Fig. 3 is a bottom view of a crib safety sheet/blanket positioned around a mattress.

Fig. 4 is a perspective view of the bottom of a mattress equipped with an infant safety sheet/blanket.

5 Fig. 5 is a top view of a second embodiment of the safety sheet/blanket positioned around a mattress.

Fig. 6 is a top environmental perspective view of a third embodiment of the present invention.

Fig. 7 is a top view of the fourth embodiment of the present invention.

Fig. 8 is an environmental perspective view of a fourth embodiment of the present invention.

Fig. 9 is a top environmental perspective of the fourth embodiment of the present invention.

10 Fig. 10 is a bottom environmental perspective of the fourth embodiment of the present invention.

Fig. 11 is a top environmental perspective of a fifth embodiment of the present invention.

Fig. 12 is a bottom environmental perspective of the fifth embodiment of the present invention.

Similar reference characters denote corresponding features consistently throughout the attached drawings.

## 15 BEST MODES FOR CARRYING OUT THE INVENTION

The first embodiment of the present invention is an infant crib safety sheet/blanket **10** which, as seen in Fig. 1, is installed on a mattress in a crib, bassinet, or the like. The invention has a blanket portion **12** (blanket) with a front surface and a back surface. The blanket is attached to a fitted sheet portion **14**. The blanket **12** is preferably sewn to the middle of the front surface of the fitted sheet **14** by stitching along the longitudinal midline of the blanket portion **12**, defining two halves of the blanket which may be folded or wrapped about the infant. When in use, the blanket **12** is wrapped around an infant's torso and lower

20

extremities (with one side overlapping the other side) so as to keep the infant warm and securely positioned in the center of the safety sheet/blanket **10** on its back or side. The blanket **12** is held in position around the infant with four mating strips of hook and loop fastening material (discussed below).

When secured in the safety sheet/blanket an infant retains full motion in its arms and head and some lateral motion but is unable to roll completely over or to extract itself from the blanket **12**. By securing an infant in this manner there is a lower chance of sudden infant death syndrome, which is normally associated with infants sleeping in the prone position. The infant has no loose bedding materials upon which to suffocate, and the infant cannot kick free of its blanket and become cold during sleep.

Fig. 2 is a top view of the safety sheet/blanket wrapped around a mattress with the blanket **12** laid flat against the sheet **14** and the back surface of the blanket **12** coming into contact with the front surface of the sheet **14**. The stitching **20**, which secures the blanket **12** to the sheet **14**, can be seen in this view. The hook and loop fastening material **16a**, **16b** sewn to the front surface of the blanket **12** removably attaches to corresponding hook and loop fastening material **18a**, **18b** sewn to the back surface of the blanket **12**. Fig. 2 shows two sets of mating hook and loop fasteners (**16a** with **18a**, and **16b** with **18b**) but additional fastener strips may be attached and used if a more secure hold is required. Fig. 2 also shows the three elastic straps **22a-22c** that wrap under the mattress (discussed below) to secure the flat edges of fitted sheet **14** to the mattress **24**.

The blanket as seen in Fig. 2 may be adapted for smaller infants by folding the sides of the blanket to reduce the blanket's overall width. Preferably, the right side of the blanket would be folded toward the front surface of the blanket and fastened with snap fasteners **13** present thereon. The left side of the blanket would preferably be folded toward the back surface of the blanket and secured with snap fasteners **15** present thereon.

Fig. 3 is a bottom view of a safety sheet/blanket **10** wrapped around a mattress **24**. This view shows the two pockets **26a**, **26b** defined in the fitted sheet **14** which secure the fitted sheet to the foot and head portions of a mattress **24**. An elastic band **28** functions to keep the two pockets **26a**, **26b** securely wrapped around a mattress. Three elastic straps **22a**, **22b**, and **22c** keep side edges of the fitted sheet **14** secured to the mattress. The sheet **14** may have several cloth reinforced grommets **23** dispersed along the sides the sheet. These grommets **23** may serve as anchor points for bungee cords or other suitable holding devices when securing the crib sheet/blanket combination to the bed frame of a large bed so that the crib safety sheet/blanket **10** may be used when a crib is not available, e.g., when traveling.

Fig. 4 shows a perspective view of the bottom of safety sheet/blanket **10**. The elastic straps **22a-22c** are removably attached to one side of the fitted sheet **14**, one strip of hook and loop fastening material **30a-30c** for each strap **22a-22c** being sewn to the fitted sheet **14** and a mating strip of hook and loop fastening material **32a-32c** (seen in relief) being sewn to the elastic straps **22a-22c**.

Fig. 5 shows a second embodiment **50** of the safety sheet/blanket that is used for infants who need additional physical support while sleeping. This embodiment and all following embodiments are similar to the first embodiment and the same reference numbers represent identical components.

The second embodiment of the safety blanket/sheet combination has a second blanket **40** with a top and bottom surface that is attached to the first blanket **12**. The first blanket **12** is shown larger in this figure for illustration purposes. One horizontal line of stitching **42** holds together the tops of both blankets and four vertical lines of stitching **44a-44d** hold together the edges and the centers of the blankets. The four vertical lines of stitching **44a-44d** also divide the blankets into three vertical sheaths **46a-46c**. The bottoms of the sheaths **46a-46c** may be closed using the snap fasteners **48** located on the bottom surface of the second blanket **40** and the top surface of the first blanket **12**. Hook and loop fastening material, zippers, and any other fastening devices known to one skilled in the art may be substituted for the snap

fasteners. Some of the hook and loop fastening material **16a, 16b** has been moved in this embodiment to the top surface of the second blanket **40** from their position in the first embodiment on the top surface of the first blanket **12**.

The second embodiment of the crib safety sheet/blanket combination is used in the same manner as the first embodiment except that supportive material such as egg-crate cushioning material or air pad-type material may be inserted into the sheaths **46a, 46b, 46c**. Temperature regulating material such as hot and cold packs may also be inserted into the sheaths **46a, 46b, 46c**. The supportive material is secured inside the sheaths by using the snap fasteners **48** located at the bottom of the sheaths.

The third, fourth and fifth embodiments of the crib safety sheet/blanket will now be described. These embodiments involve modifications to the fitted sheet. The third through fifth embodiments may employ either the blanket **12** described in the first embodiment of Figs. 1-4 or the double blanket **12, 40** design described in the second embodiment of Fig. 5. The following description describes modifications to the sheet and their use with only the first blanket **12** for clarity.

A third embodiment **50** of the present invention, as shown in Fig. 6, replaces the fitted sheet of the first embodiment with a cloth sack **52** or case generally resembling an enlarged pillow case. The sack **52** has a top surface, bottom surface and one open end, the top surface being formed by a sheet as an integral part of the sack **52**. Bedding material such as a basinet pad or a small mattress is ordinarily inserted into the sack **52** through the open end. The blanket **12** is sewn to the top surface of the sack **52** in the same manner that the blanket **12** is attached to the fitted sheet **14**. In all other respects the blanket **12** is identical to the first embodiment, and will not be described further.

A fourth embodiment **60** of the present invention is illustrated in Fig. 7. This embodiment **60** substitutes a preferably rectangular sheet **62** of material in place of the fitted sheet **14** of the first embodiment. The sheet **62** has a front surface **64**, back surface **66**, a top edge, a bottom edge, a left edge

68 and a right edge 70. A fastening device such as hook and loop material 72 is disposed upon both the right 70 and left 68 edges. Snap fasteners or any other suitable fastening devices may also be used in place of the hook and loop material. The sheet 62 further has plurality of apertures 78 defined between its front 64 and back 66 surfaces. The apertures 78 are preferably located close to, and parallel to, the right 70 and left 68 edges. However, placement of the apertures 78 near the edges 68 and 70 of the sheet is not a critical aspect of the invention, and the apertures 78 may be more centrally located as discussed below. As in the third embodiment, the blanket 12 is sewn to the front surface 64 in the same manner as the blanket 12 is attached to the fitted sheet 14, and is identical in all other respects to the blanket 12 of the first embodiment, and will not be described further.

The fourth embodiment 60 may be used as illustrated in Fig. 8 on a full size adult mattress. The sheet 62 is placed back surface 66 down on the top surface of a mattress. Adjustable straps 80 are looped through the apertures 78 and through posts on the bed frame or an accessory guard rail in order to secure the sheet 62 to the mattress. It is well within the ability of one skilled in the art to design a wide range of suitable apertures 78 ranging from cloth reinforced slits to metal or plastic reinforced rings. It must be noted, however, that any apertures containing hard or uncomfortable materials should be located more centrally on the sheet so as not to become uncomfortable to an infant when the invention is used on crib pads or bassinets as discussed below.

The fourth embodiment 60 may also be used on smaller bedding materials, such as a crib mattress, as shown in Figs. 9 and 10. For these smaller applications the sheet 62 is wrapped completely around the mattress approximately midway between the head and foot of the mattress, with the back surface 66 of the sheet 62 coming into contact with the mattress. The left 68 and right edges 70 of the sheet are secured to one another using the aforementioned hook and loop material 72.

The fourth embodiment may also be used on even smaller bedding material such as a bassinet pad. First, the left **68** and right **70** edges of the sheet are attached to one another as detailed above, but without the intervening mattress. The double thickness sheet **62** is then wrapped around a bassinet pad or the like. The sheet **62** is then secured in position by connecting fasteners **77** to fasteners **79**.

5 A fifth embodiment **80** of the present invention, as illustrated in Figs. 11 and 12, uses the blanket **12** of the first embodiment but substitutes a generally rectangular sheet **82** for the fitted sheet **14** of the aforementioned embodiment. The sheet **82** has a front surface, back surface, and two opposing ends. Disposed adjacent to each opposing edge are several sections of hook and loop material **84**.

10 Several straps **88** have one end attached to the sheet **82** and are wrapped around beneath the mattress or crib frame, having a second end with corresponding sections of hook and loop material **86** which are releasably attachable to the aforementioned hook and loop material **84** on the sheet **82**. Hook and loop material is the preferred method of strap attachment but any suitable method including but not limited to, buttons, snaps and buckles may also be used. The straps **88** themselves preferably have elastic properties, but any suitable strap may be used. Each of the straps **88** is attached to or threaded through  
15 a spacer **90**. The spacer **90** is a flat, generally rectangular sheet which serves to hold the straps and keep the straps **88** properly positioned and oriented. In use, the spacer will be disposed beneath the mattress. The fifth embodiment **80** also has two sets of corresponding fasteners **91, 92**. Fasteners **91** are designed to attach to opposing fasteners **92** and in so doing reduce the overall size of the sheet **82** and thereby prepare the apparatus for smaller size bedding materials.

20 It is well within the abilities of one skilled in the art to alter the shape and/or size of the fitted sheet and blanket to fit a variety of different infant sleeping devices such as cribs, bassinets, incubators and playpens. The sheet and the blanket may be made from any suitable material, including cotton, wool, polyester, silk, lycra TM and nylon.

It is to be understood that the present invention is not limited to the sole embodiment described above, but encompasses any and all embodiments within the scope of the following claims.

**CLAIMS**

I claim:

1. A combination safety sheet/blanket for infants, comprising:

a sheet;

5 a first blanket having a top surface, a bottom surface, and a longitudinal midline, the blanket being  
sewn to the top surface of said sheet along the midline, defining two blanket halves;

blanket fastening means for temporarily fastening the two halves of said first blanket together when  
the two halves are wrapped around an infant; and

means for attaching said sheet to a sleeping surface;

10 whereby the two halves of said blanket may be wrapped about an infant and secured by said  
blanket fastening means in order to retain the infant in a supine position while sleeping.

2. The combination safety sheet/blanket for infants as in claim 1, wherein said sheet comprises a  
fitted sheet having a top surface, bottom surface, a first side and an opposing second side, and two  
opposing ends, and wherein said means for attaching comprises:

15 a pair of pockets defined by the opposing ends of said fitted sheet, the pockets being adapted for  
snugly fitting about opposing ends of a mattress;

a plurality of straps, each strap having a first end fixedly attached to the first side of said fitted sheet  
and having a second end;

20 strap fastening means for removably attaching the second end of each said strap to the second side  
of said fitted sheet;

whereby said fitted sheet may be secured to a mattress and the left and right sides of said blanket may be wrapped about an infant and secured by said blanket fastening means in order to retain the infant in a supine position while sleeping.

3. The combination safety sheet/blanket according to claim 2, where said strap fastening means comprises mating strips of hook and loop fastening material disposed on the second side of said fitted sheet and the first end of each said strap.

4. The safety sheet/blanket for infants according to claim 2, further comprising:  
an elastic band disposed around the pockets of said fitted sheet.

5. The safety sheet/blanket according to claim 2, wherein said straps are made from an elastic material.

6. The safety sheet/blanket according to claim 2, further comprising:  
a plurality of apertures disposed along the opposing sides of said sheet.

7. The safety sheet/blanket combination of claim 1, wherein:  
said sheet and said blanket are made of materials selected from the group consisting of cotton, wool, polyester, silk and nylon.

8. The safety sheet/blanket combination of claim 1, further comprising a second blanket disposed upon said first blanket;

wherein at least one sheath is defined between said first blanket and said second blanket.

9. The safety sheet/blanket combination of claim 8, wherein three sheaths are defined between said first and said second blanket.

5

10. The safety sheet/blanket combination of claim 8, further comprising supportive material inserted into the at least one sheath defined between said first and said second blanket.

10

11. The safety sheet/blanket combination of claim 10, wherein said supportive material is selected from the following group: foam rubber, cold pack(s), hot pack(s), or a padding device utilizing trapped air.

12. The safety sheet/blanket combination of claim 1, wherein:

said means for attaching comprises a case adapted for receiving a sleeping surface; and said sheet forms an integral part of said case.

15

13. The safety sheet/blanket combination of claim 1, wherein said sheet comprises a flat sheet having:

a top surface, bottom surface and two opposing ends;

end attaching means for attaching one said opposing end to the other said opposing end; and

20

a plurality of apertures disposed in said flat sheet.

14. The safety sheet/blanket combination of claim 13, wherein said end attaching means comprises mating strips of hook and loop fastening material attached to the opposing ends of said flat sheet.

15. The safety sheet/blanket combination of claim 13, further comprising:

a plurality of straps looped through said apertures.

5 16. The safety sheet/blanket combination of claim 13, further comprising:

a plurality of fasteners disposed upon said sheet.

17. The safety sheet/blanket combination of claim 1, wherein:

10 said sheet comprises a flat sheet having a top surface, a bottom surface and two opposing ends, and having a plurality of hook and loop material pieces disposed along the opposing ends of said flat sheet;

said means for attaching comprises a plurality of straps adapted for wrapping around a sleeping surface, each strap having a top surface, bottom surface and two opposing ends, at least one of the ends of each said strap having a strip of hook and loop material attached thereto for releasable attachment to said flat sheet; and

15 a flat spacer, each said strap being attached to or threaded through said spacer.

18. The safety blanket/sheet combination of claim 17, further comprising a plurality of rings disposed along the opposing edges of said sheet.

20 19. A combination safety sheet/blanket for infants, comprising:

a fitted sheet having a top surface, bottom surface, a first side and an opposing second side, and two opposing ends, the ends defining pockets adapted for snugly fitting about opposing ends of a mattress;

a first blanket having a top surface, a bottom surface, and a longitudinal midline, the blanket being sewn to the top surface of said fitted sheet along the midline, defining two blanket halves;

blanket fastening means for temporarily fastening the two halves of said first blanket together when the two halves are wrapped around an infant;

5 a plurality of straps, each strap having a first end fixedly attached to the first side of said fitted sheet and having a second end;

strap fastening means for removably attaching the second end of each said strap to the second side of said fitted sheet;

10 whereby said fitted sheet may be secured to a mattress and the two halves of said blanket may be wrapped about an infant and secured by said blanket fastening means in order to retain the infant in a supine position while sleeping.

20. The combination safety sheet/blanket according to claim 19, where said blanket fastening means comprises mating strips of hook and loop fastening material disposed on the two halves of said blanket.

15 21. The combination safety sheet/blanket according to claim 19, where said strap fastening means comprises mating strips of hook and loop fastening material disposed on the second side of said fitted sheet and the first end of each said strap.

20 22. The safety sheet/blanket for infants according to claim 19, further comprising:  
an elastic band disposed around the pockets of said fitted sheet.

23. The safety sheet/blanket according to claim 19, wherein said straps are made from an elastic material.

24. The safety sheet/blanket according to claim 19, further comprising:  
5 a plurality of grommets disposed along the opposing sides of said sheet.

25. The safety sheet/blanket combination of claim 19, wherein:  
said sheet and said blanket are made of materials selected from the group consisting of cotton, wool,  
polyester, silk and nylon.

10 26. The safety sheet/blanket combination of claim 19, further comprising a second blanket  
disposed upon said first blanket, wherein at least one sheath is defined between said first blanket and said  
second blanket.

15 27. The safety sheet/blanket combination of claim 26, wherein three sheaths are defined between  
said first and said second blanket.

28. The safety sheet/blanket combination of claim 26, further comprising supportive material  
inserted into the at least one sheath defined between said first and said second blanket.

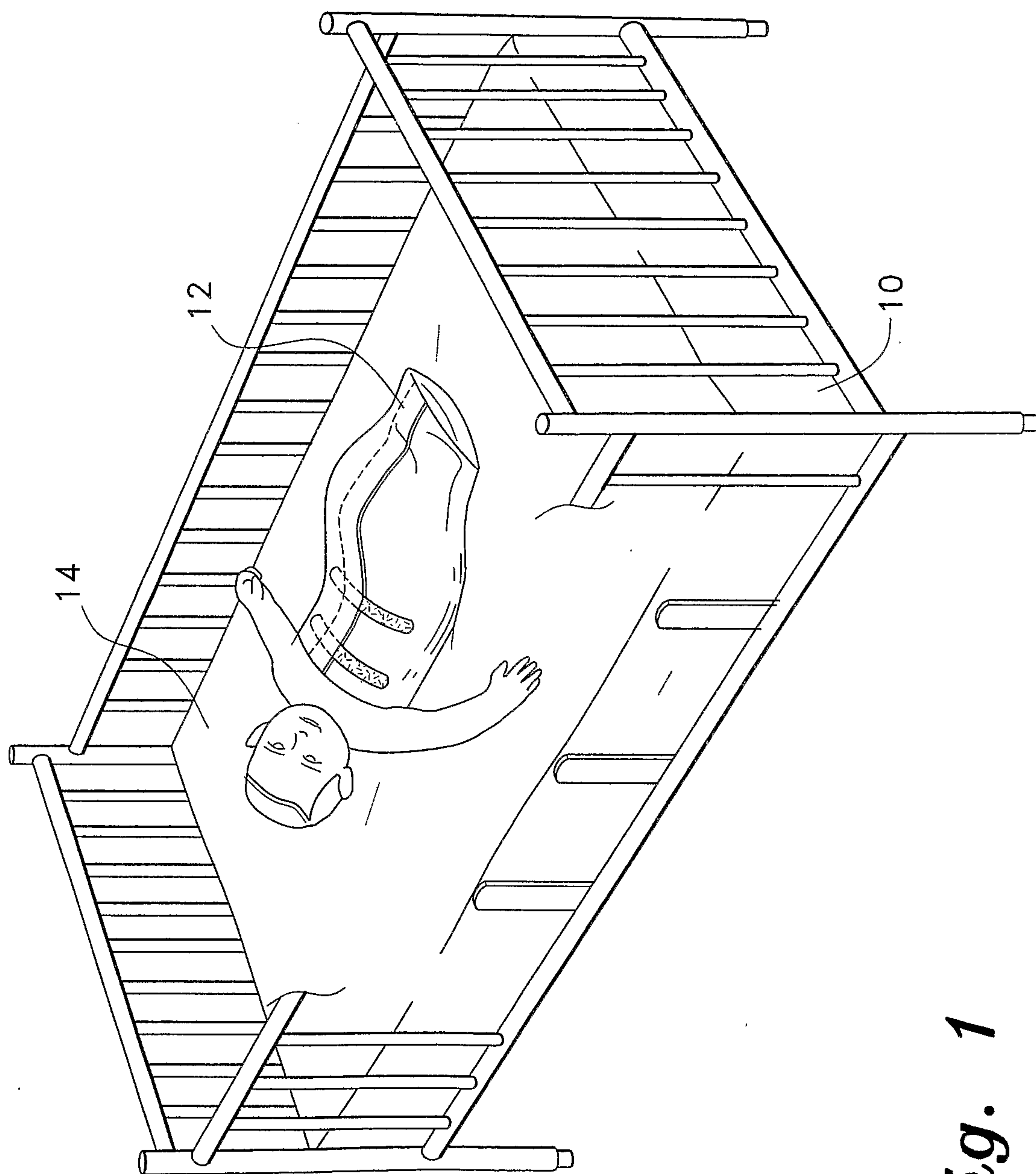
20 29. The safety sheet/blanket combination of claim 28, wherein said supportive material is foam  
rubber.

30. The safety sheet/blanket combination of claim 28, wherein said supportive material is egg crate type foam rubber.

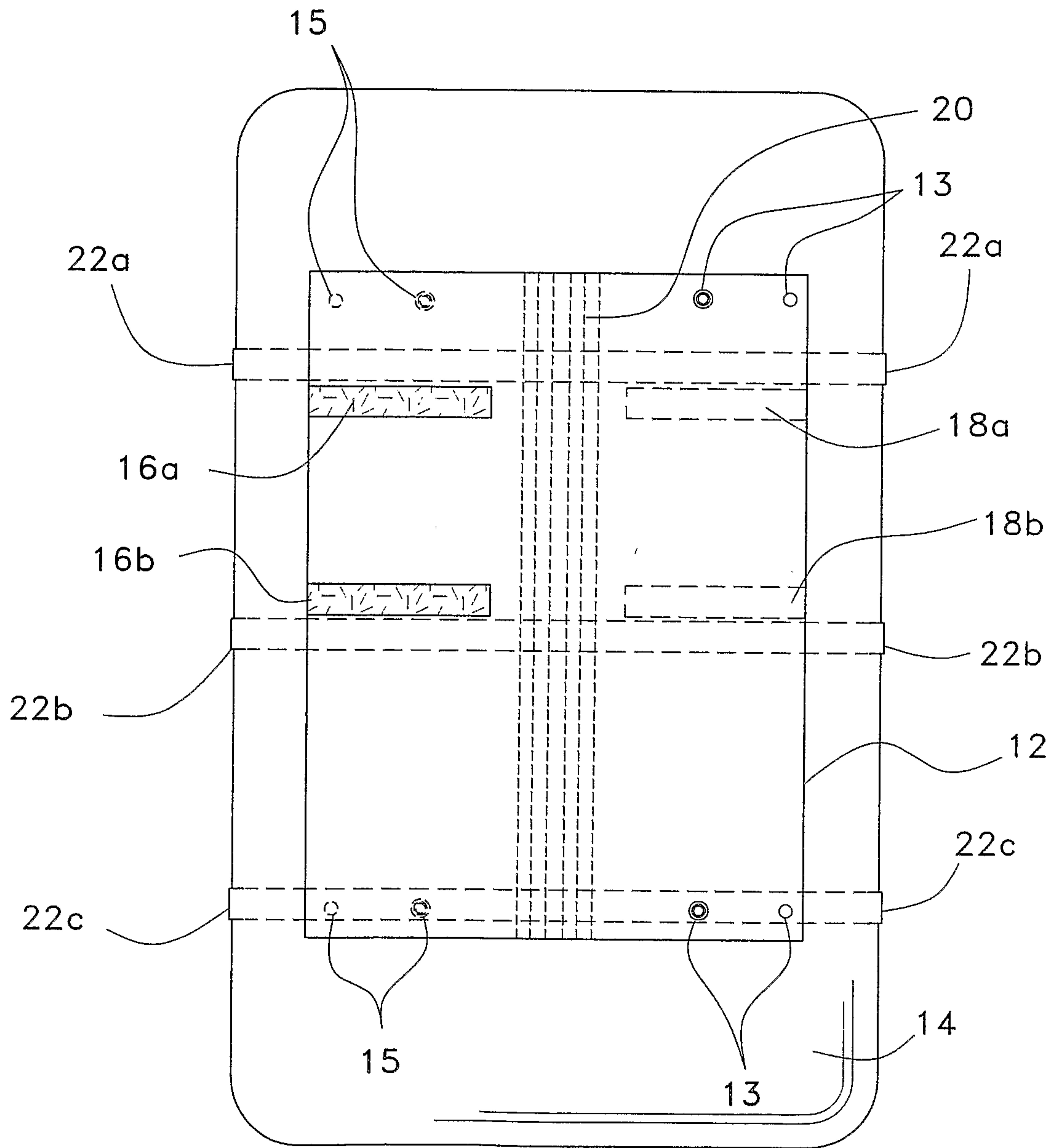
5 31. The safety sheet/blanket combination of claim 28, wherein said supportive material is a padding device utilizing trapped air.

32. The safety sheet/blanket combination of claim 28, wherein said supportive material is a cold pack.

10 33. The safety sheet/blanket combination of claim 28, wherein said supportive material is a hot pack.

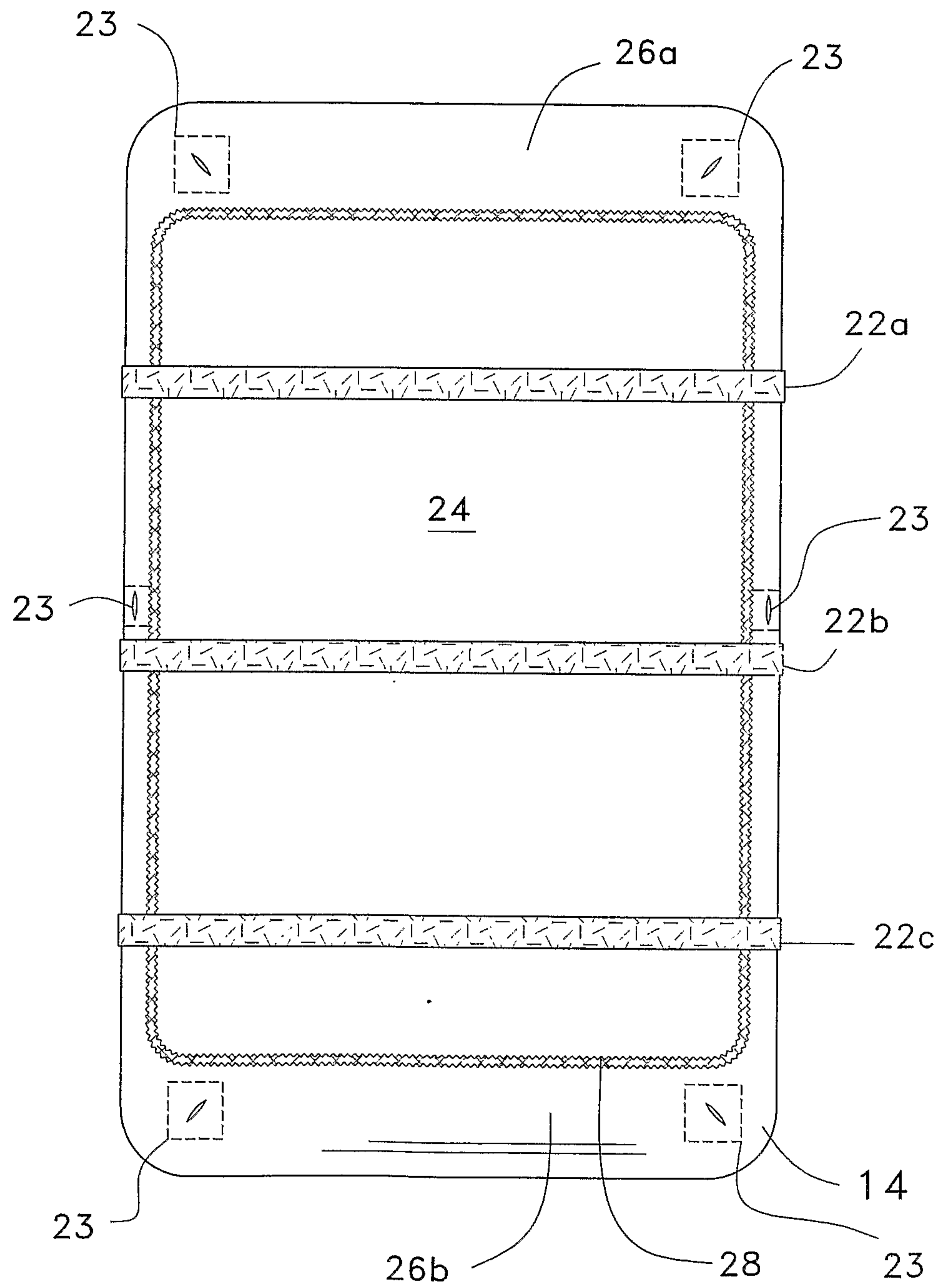


*Fig. 1*

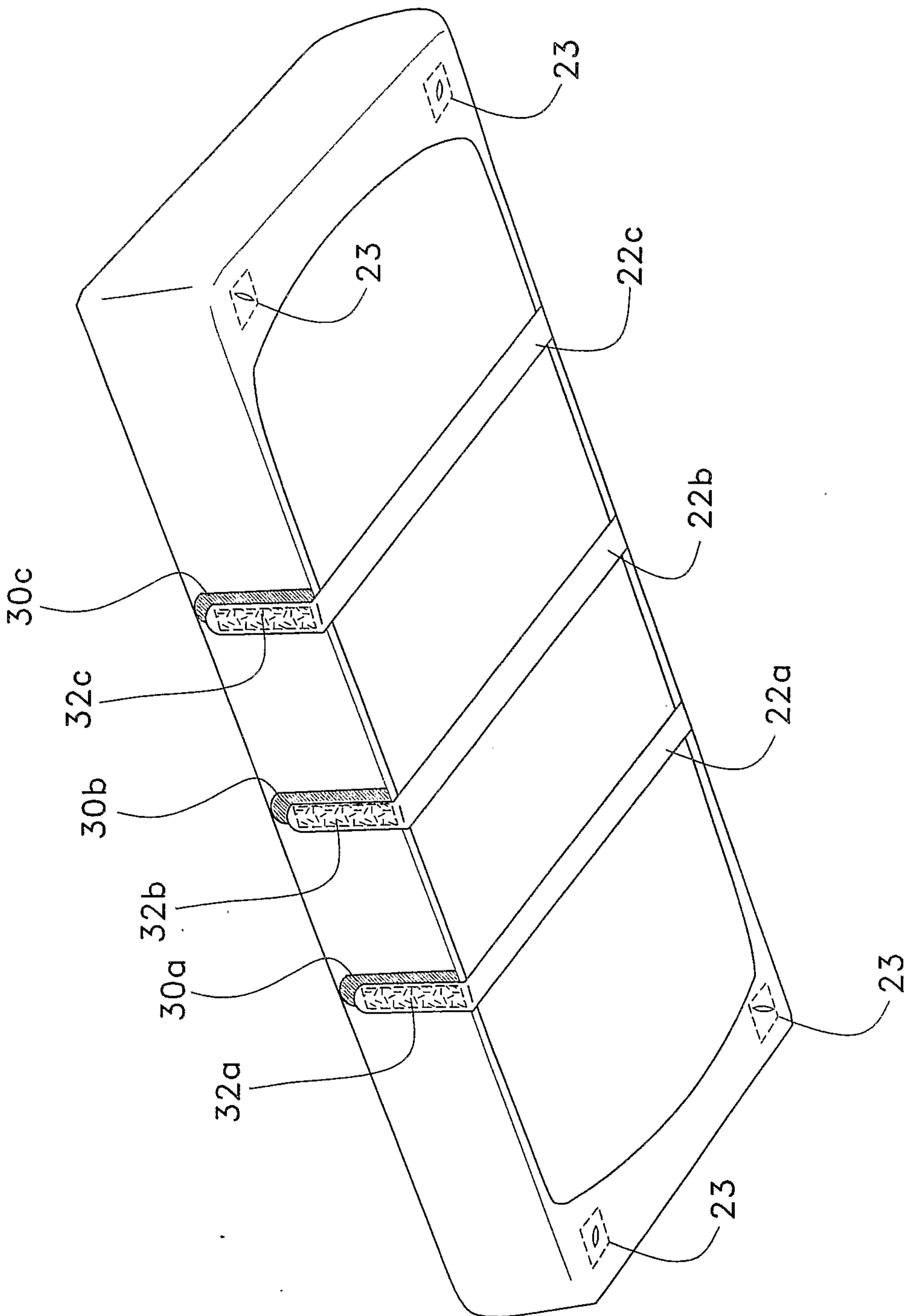


*Fig. 2*

3/12

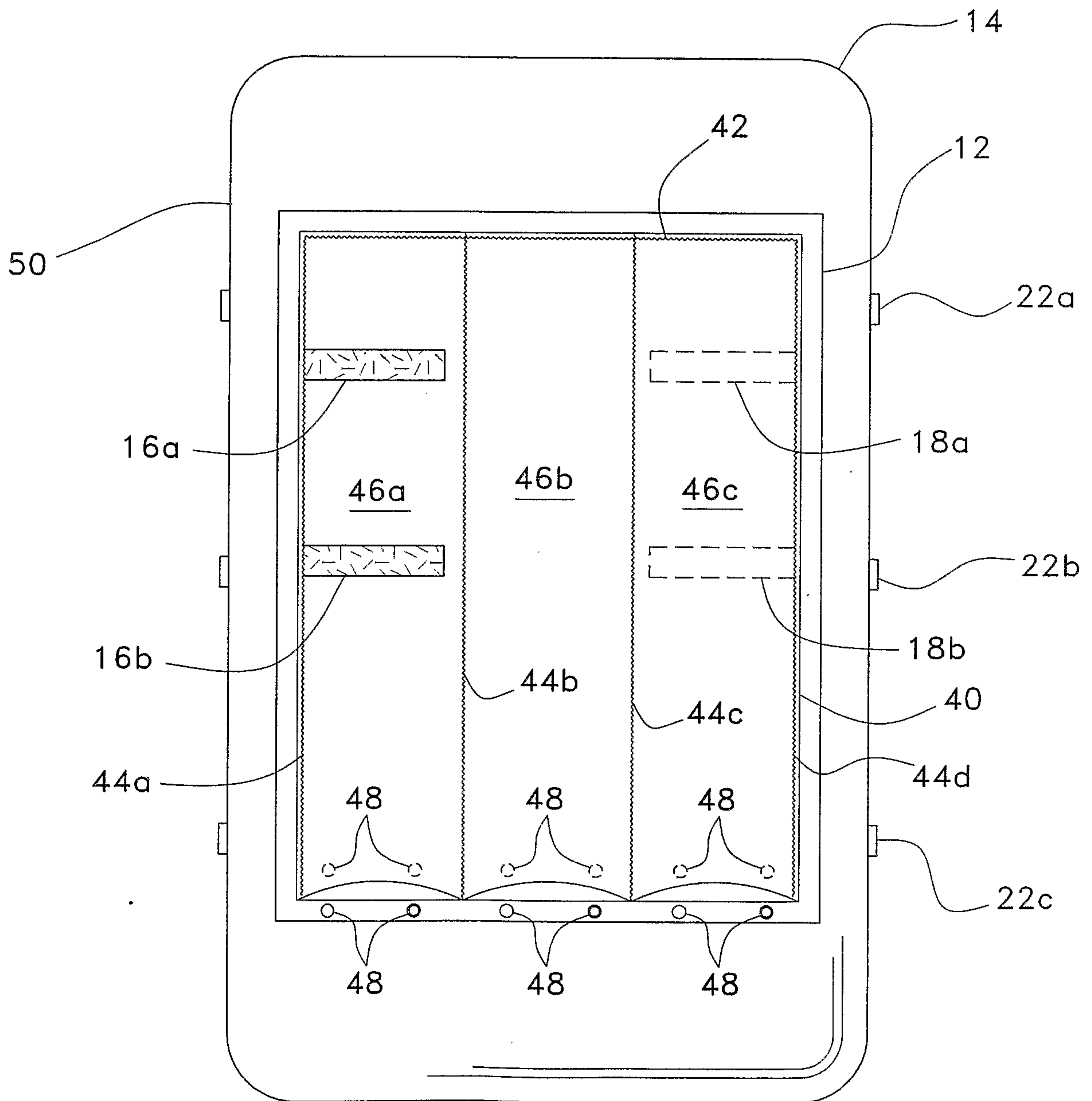


**Fig. 3**

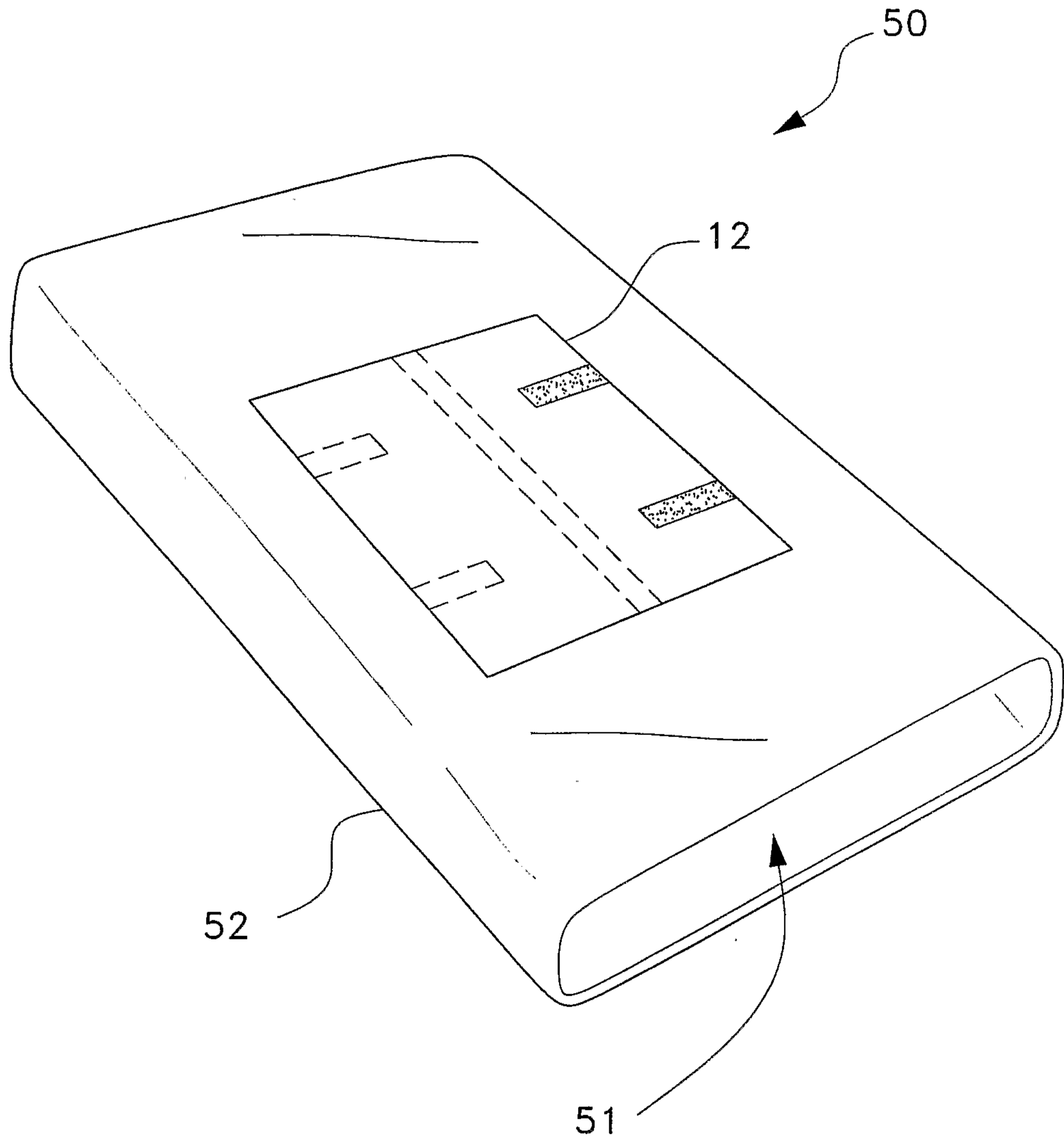


*Fig. 4*

5/12

*Fig. 5*

6/12



**Fig. 6**

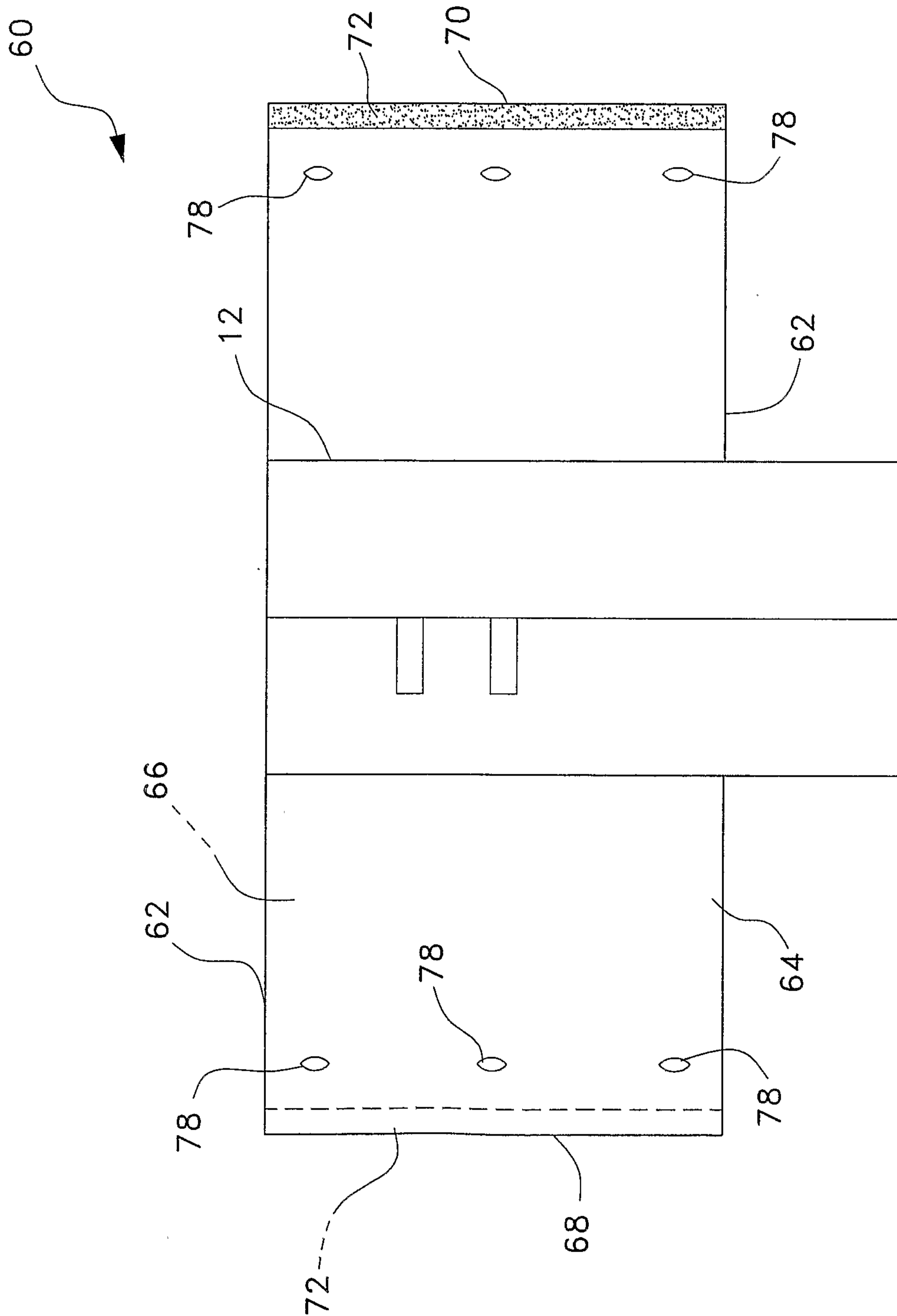
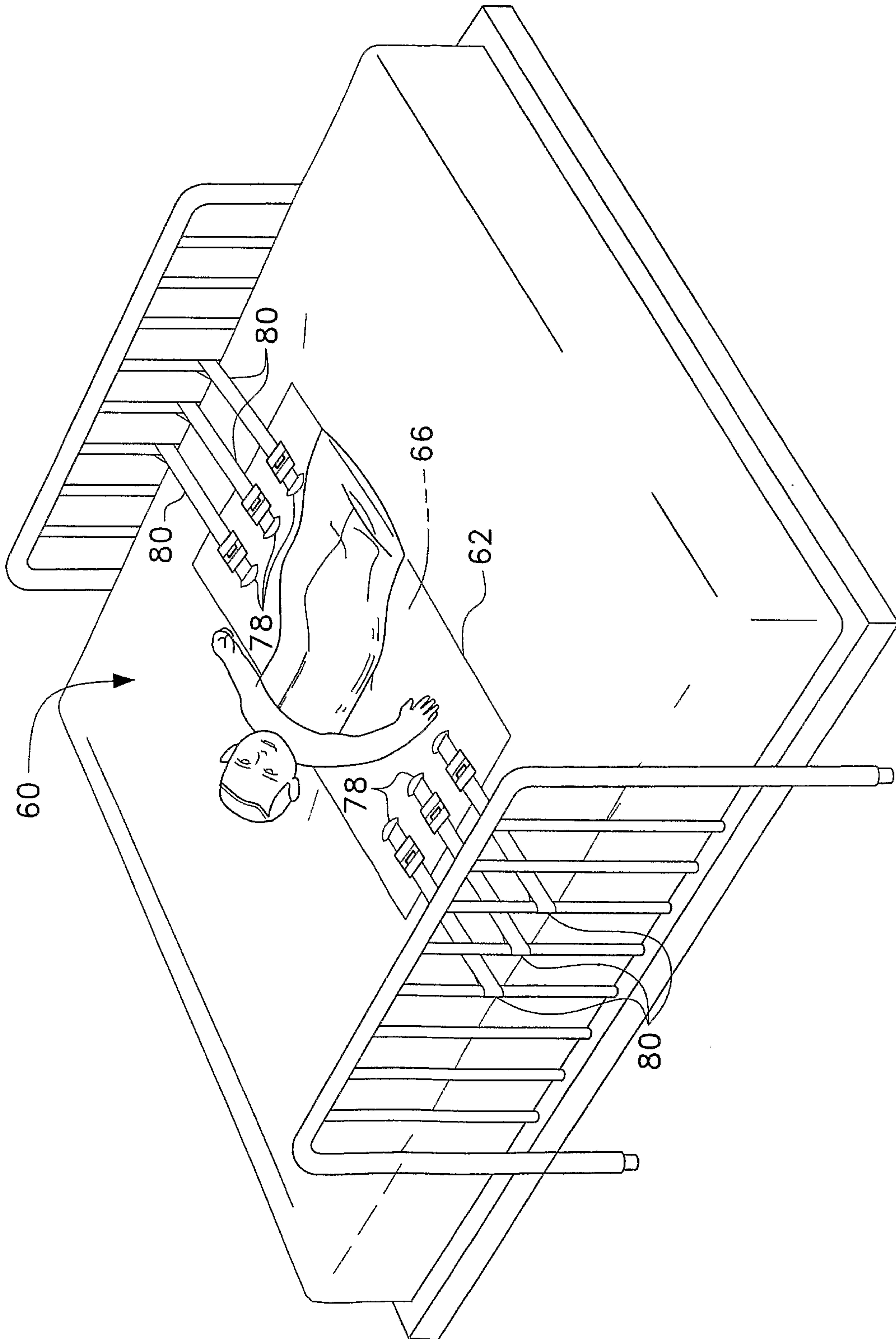
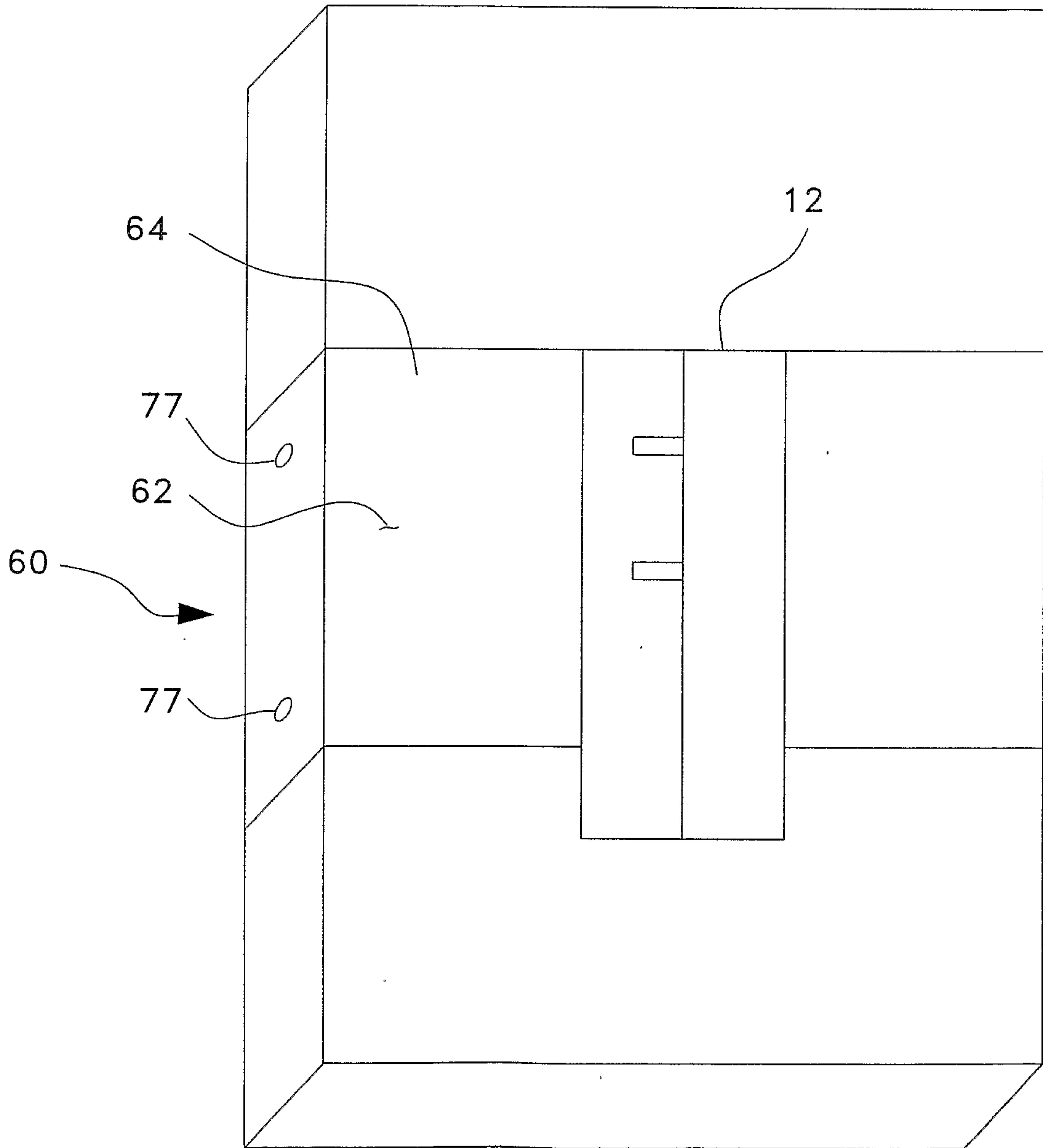


Fig. 7

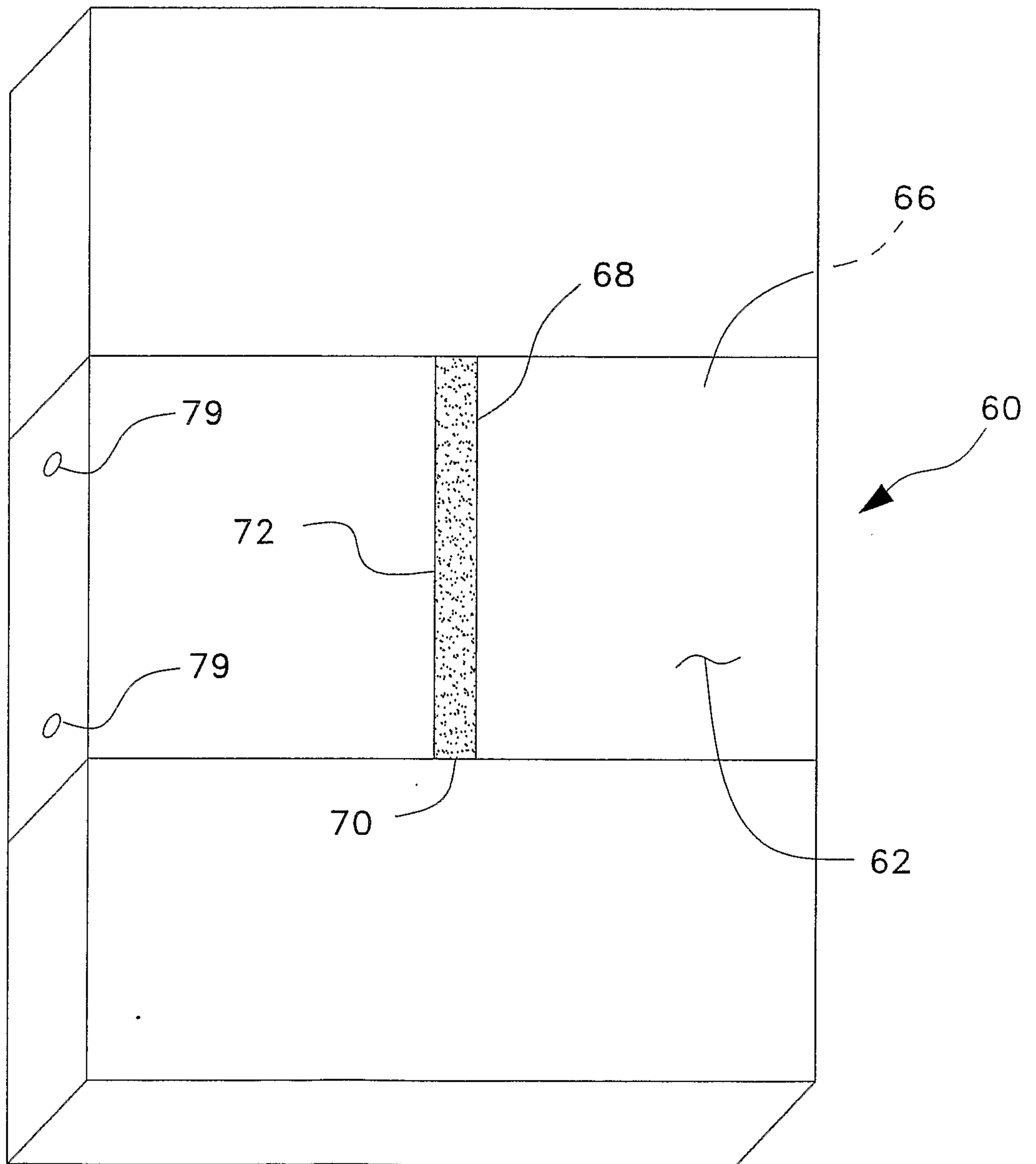


*Fig. 8*

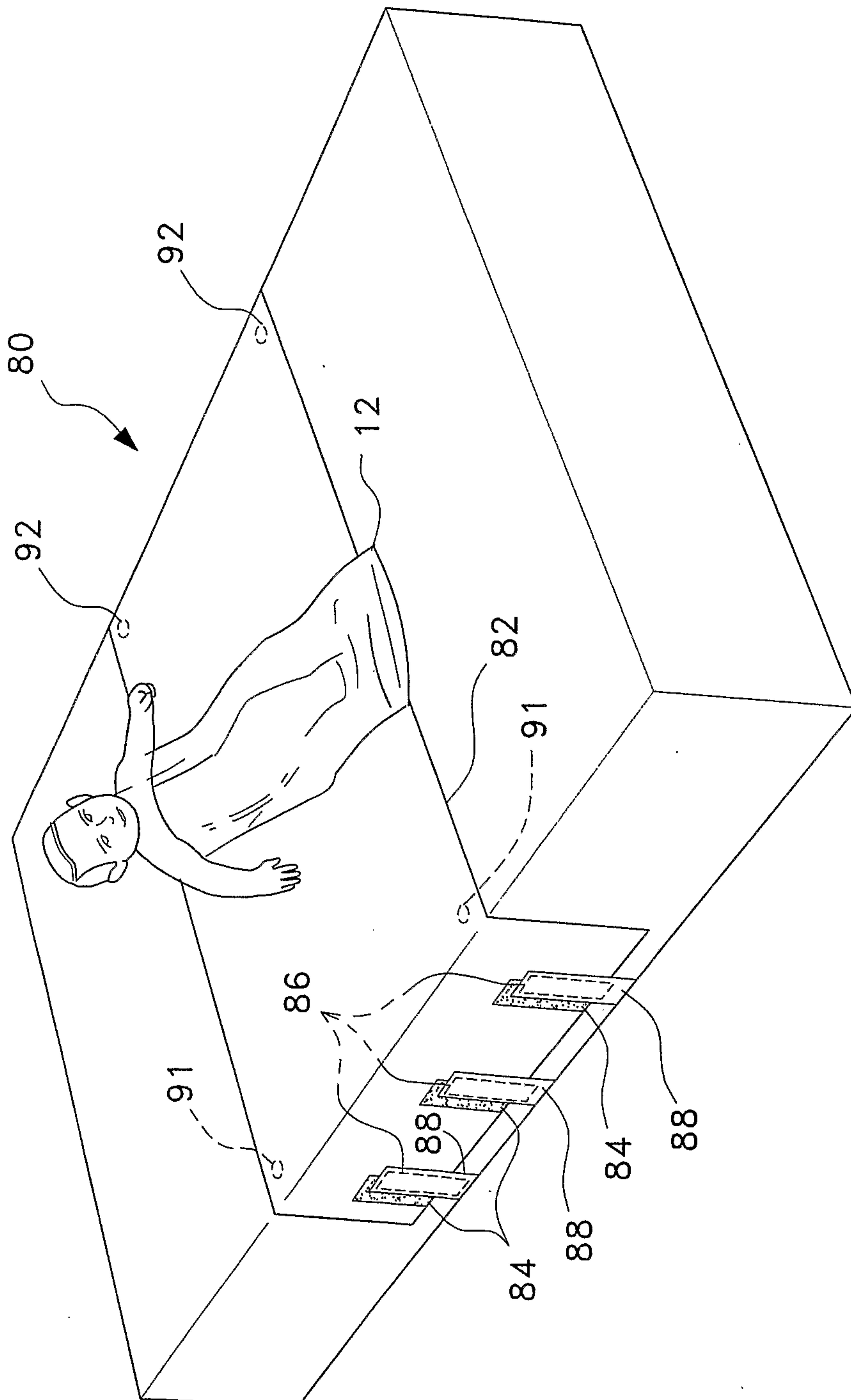


*Fig. 9*

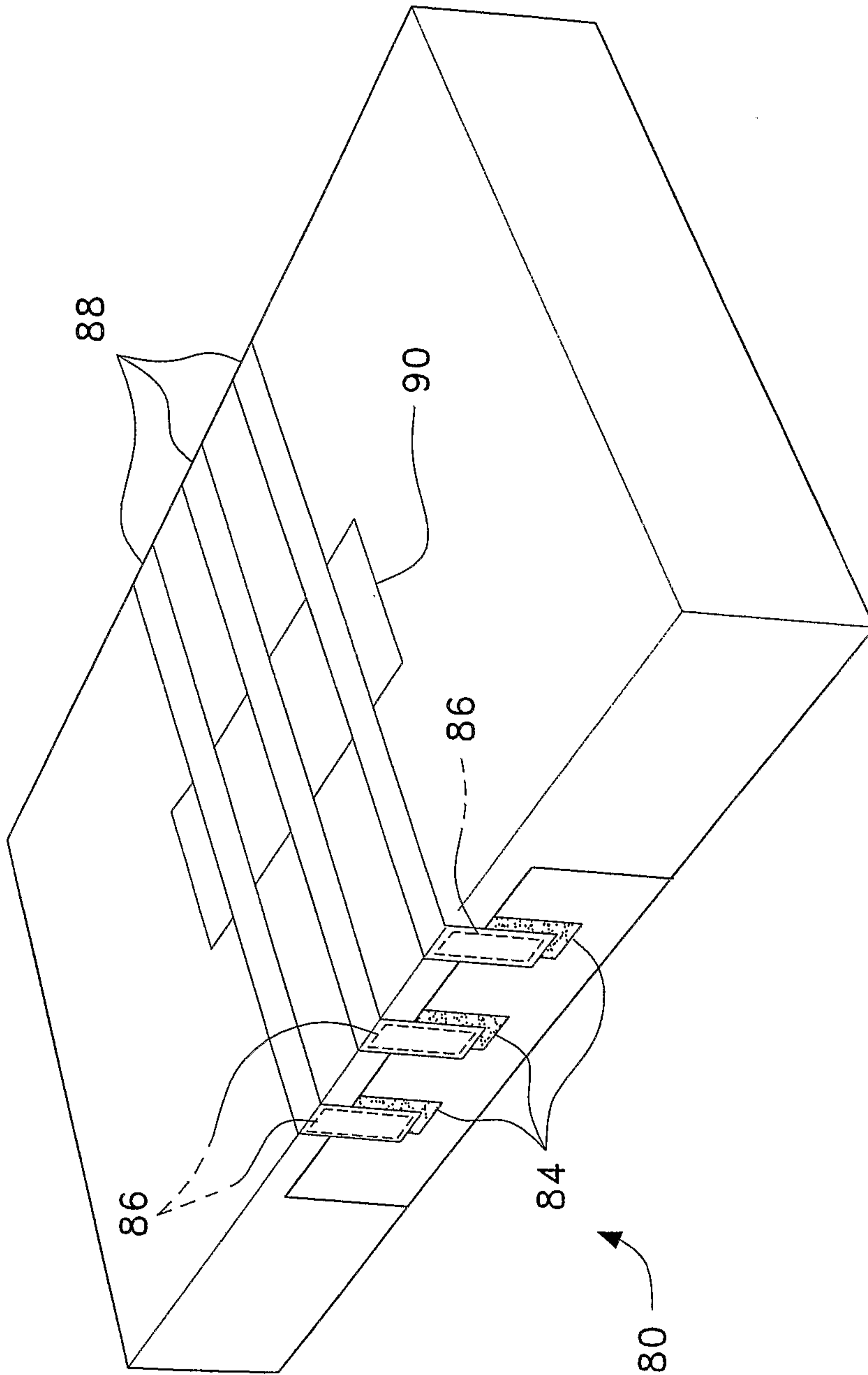
10/12



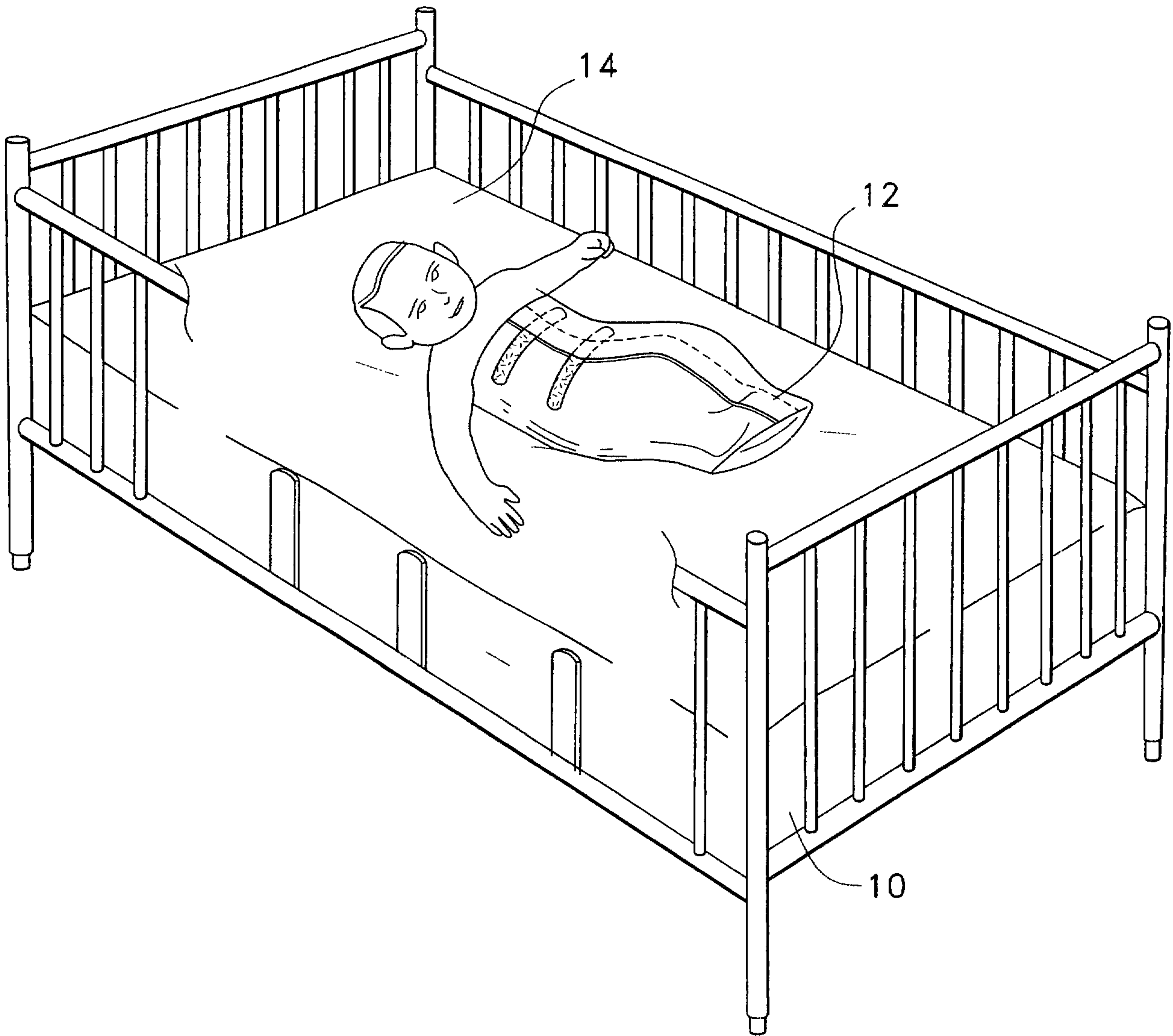
*Fig. 10*



*Fig. 11*



*Fig. 12*



14

12

10

16

18

19

20