



US00D735561S

(12) **United States Design Patent**  
**Weissbrod**

(10) **Patent No.:** **US D735,561 S**

(45) **Date of Patent:** **\*\* Aug. 4, 2015**

(54) **DRUM CORE FOR A WIRE COIL PACKAGE**

(71) Applicant: **LINCOLN GLOBAL, INC.**, City of Industry, CA (US)

(72) Inventor: **Paul A. Weissbrod**, South Euclid, OH (US)

(73) Assignee: **Lincoln Global, Inc.**, City of Industry, CA (US)

(\*\*) Term: **14 Years**

(21) Appl. No.: **29/459,039**

(22) Filed: **Jun. 25, 2013**

(51) **LOC (10) Cl.** ..... **08-05**

(52) **U.S. Cl.**

USPC ..... **D8/358**

(58) **Field of Classification Search**

USPC ..... D8/356, 358, 359, 19, 45, 44; 242/395, 242/405.3, 118.7, 542.4, 160.4, 366, 400, 242/370; 137/355.27, 355.2; D14/484; D3/24; D15/16; D12/501, 204; D22/140, 137; 239/198; D9/415, 419, D9/455

CPC ..... H02G 11/02; A01K 89/003; H04M 1/15; A01D 34/822; A47L 9/26; H04R 1/1033; Y10S 24/909; B65H 2701/33; B65H 75/403; B65H 75/441; B65H 54/585; A62C 33/04; B08B 2203/0276; B21C 47/28

See application file for complete search history.

(56) **References Cited**

**U.S. PATENT DOCUMENTS**

1,632,347	A *	6/1927	Pipkin	.....	215/395
3,944,161	A *	3/1976	Kauf	.....	242/588.2
4,595,724	A *	6/1986	Koblitz	.....	524/409
5,413,502	A *	5/1995	Wang	.....	439/551

D591,557	S *	5/2009	Bodum	.....	D7/396.2
D660,654	S *	5/2012	Radinsky	.....	D7/624.1
D670,156	S *	11/2012	Crooks et al.	.....	D8/358
D694,622	S *	12/2013	Bulens	.....	D9/432
2015/0059861	A1 *	3/2015	Moore et al.	.....	137/15.08

**OTHER PUBLICATIONS**

Crafty Crafted Castle by Merryn posted on Aug. 23, 2011 found on Mar. 25, 2015 on <http://www.crafty-crafted.com/category/recycle-craft-materials/toilet-paper-roll-crafts-by-materials/>.\*

\* cited by examiner

*Primary Examiner* — Robert M Spear

*Assistant Examiner* — Eliza Bennett-Hattan

(74) *Attorney, Agent, or Firm* — Hahn, Loeser & Parks LLP

(57) **CLAIM**

The ornamental design for a drum core for a wire coil package, as shown and described.

**DESCRIPTION**

FIG. 1 is a perspective view of the drum core for a wire coil package showing my new design with environment shown in broken lines;

FIG. 2 is a top view thereof;

FIG. 3 is a perspective view of the drum core for a wire coil package showing my new design;

FIG. 4 is a left side view thereof;

FIG. 5 is a right side view thereof;

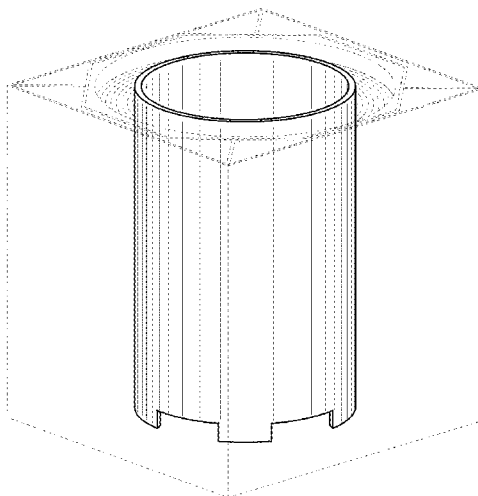
FIG. 6 is a front view thereof with the rear view being a mirror image hereof;

FIG. 7 is a top view thereof; and,

FIG. 8 is a bottom view thereof.

The broken lines shown are environmental only and form no part of the claimed design.

**1 Claim, 3 Drawing Sheets**



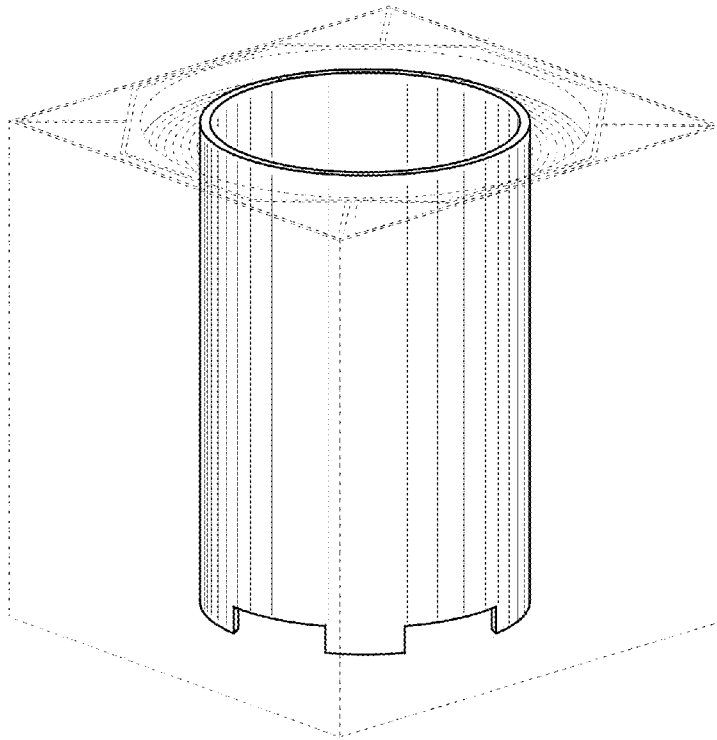


FIG. 1

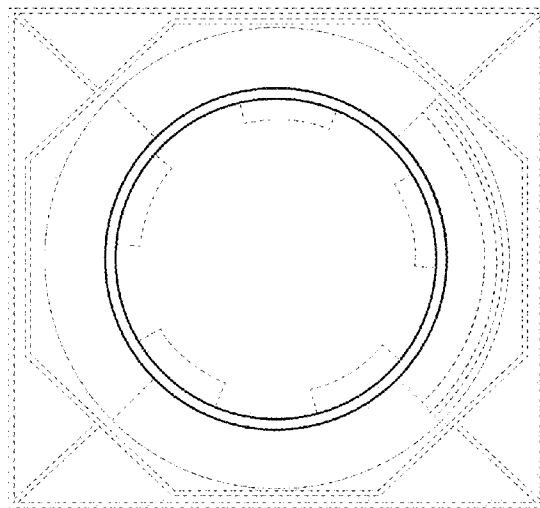


FIG. 2

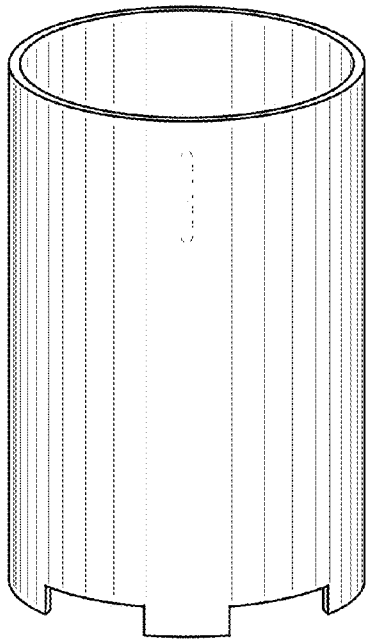


FIG. 3

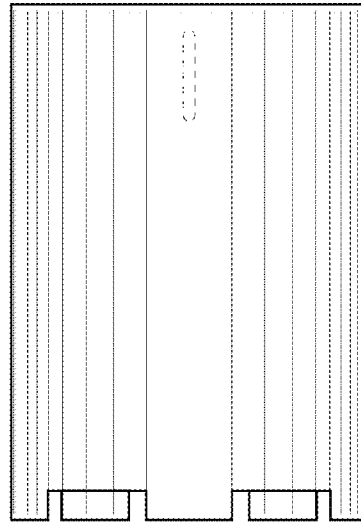


FIG. 4

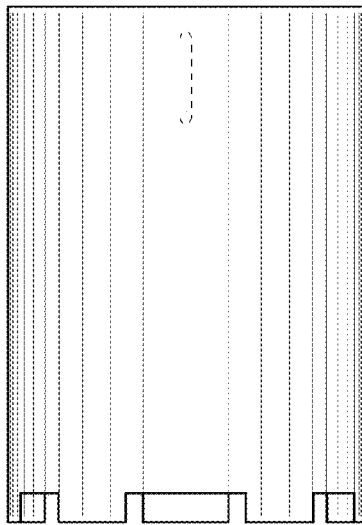


FIG. 5

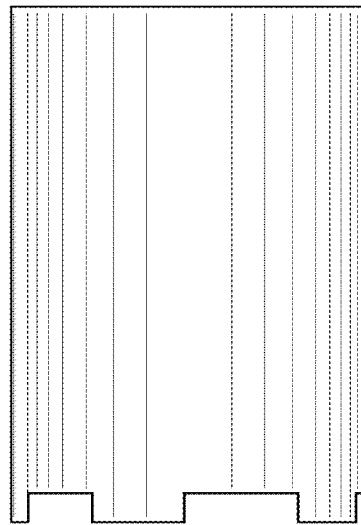


FIG. 6

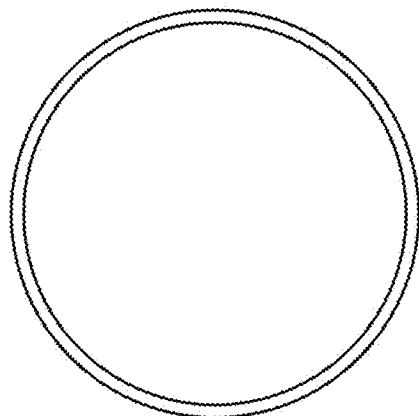


FIG. 7

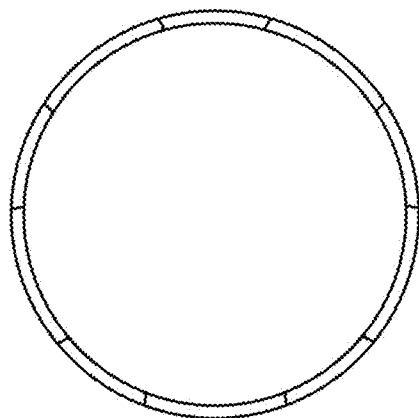


FIG. 8