



US00D334451S

United States Patent [19]

[11] Patent Number: **Des. 334,451**

Lindeman

[45] Date of Patent: **** Mar. 30, 1993**

- [54] **GOLF PULL-CART**
- [75] Inventor: **Ian C. Lindeman**, Lyneham Act, Australia
- [73] Assignee: **Pratt Golfing Equipment, Inc.**, Houston, Tex.
- [**] Term: **14 Years**
- [21] Appl. No.: **734,587**
- [22] Filed: **Jul. 23, 1991**
- [52] U.S. Cl. **D34/15; D34/24**
- [58] Field of Search **D34/12, 15; 280/47.19, 280/652, 645, 40, 655**

3,917,303	11/1975	Good	280/655
4,062,564	12/1977	Schimmeyer	280/652
4,262,928	4/1981	Leitzel	280/645
4,756,539	7/1988	Sneddon	280/40

FOREIGN PATENT DOCUMENTS

62385/86	3/1987	Australia .
64253/86	4/1987	Australia .

Primary Examiner—Kay H. Chin
Attorney, Agent, or Firm—Pravel, Gambrell, Hewitt, Kimball & Krieger

[57] CLAIM

The ornamental design for a golf pull-cart, as shown and described.

DESCRIPTION

FIG. 1 is a top and front perspective view of a golf pull-cart showing my new design;
 FIG. 2 is a top plan view thereof;
 FIG. 3 is a left side elevational view thereof;
 FIG. 4 is a front elevational view thereof;
 FIG. 5 is a right side elevational view thereof; and,
 FIG. 6 is a rear elevational view thereof.

- [56] **References Cited**
- U.S. PATENT DOCUMENTS**
- 2,438,078 3/1948 Sutphen 280/655
- 2,941,814 6/1960 Mihalyi D34/15
- 2,957,700 10/1960 Beaurline 280/47.19
- 3,162,461 12/1964 Krell 280/47.19
- 3,403,922 10/1968 Francis 280/645
- 3,506,280 4/1970 Coupe 280/47.19
- 3,762,737 10/1973 Good 280/655

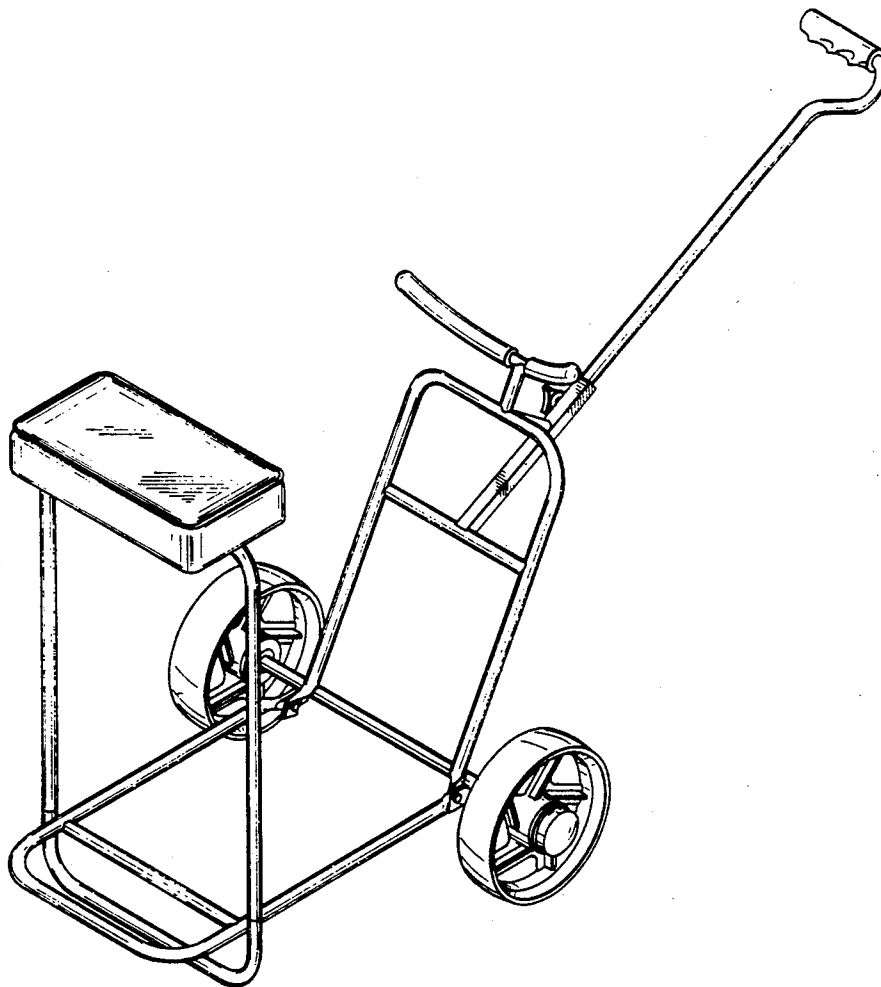


FIG. 1

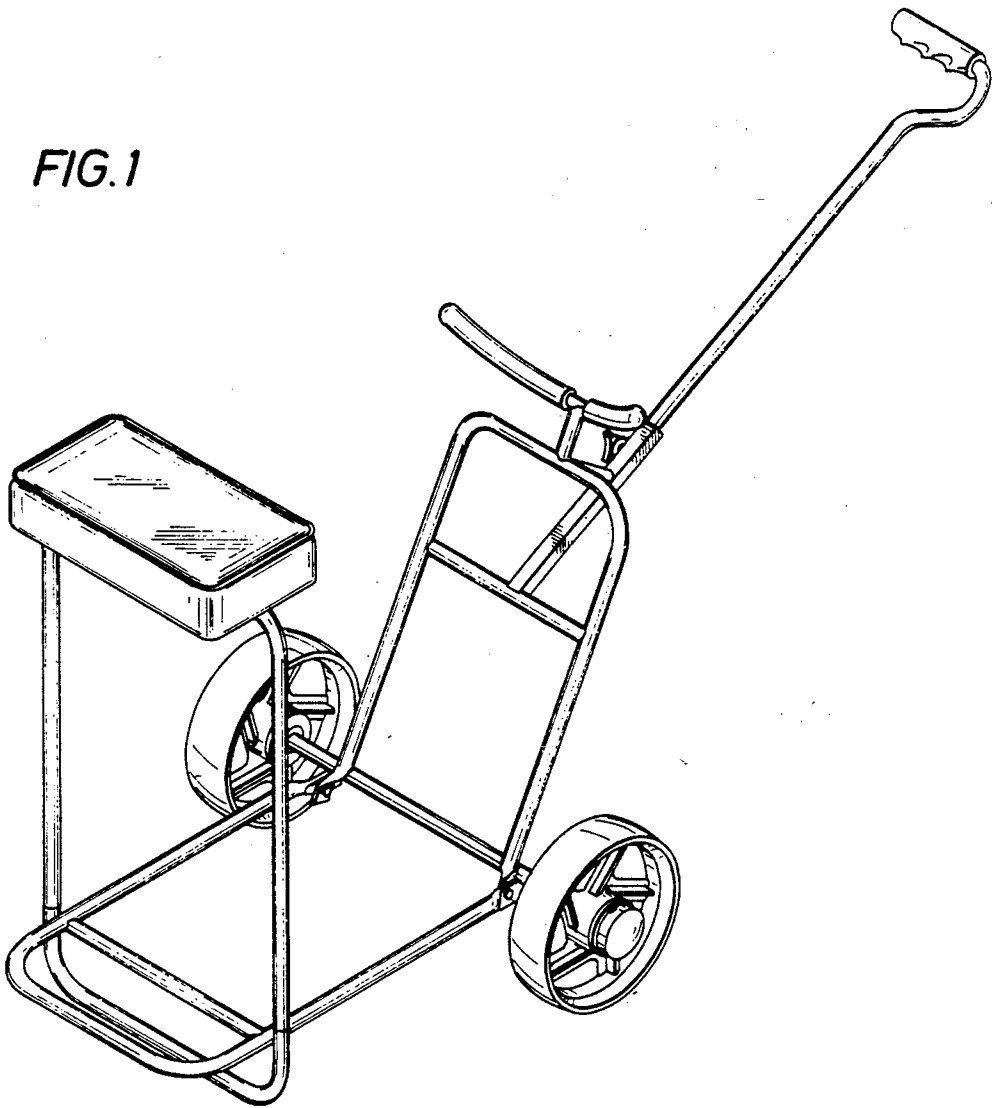
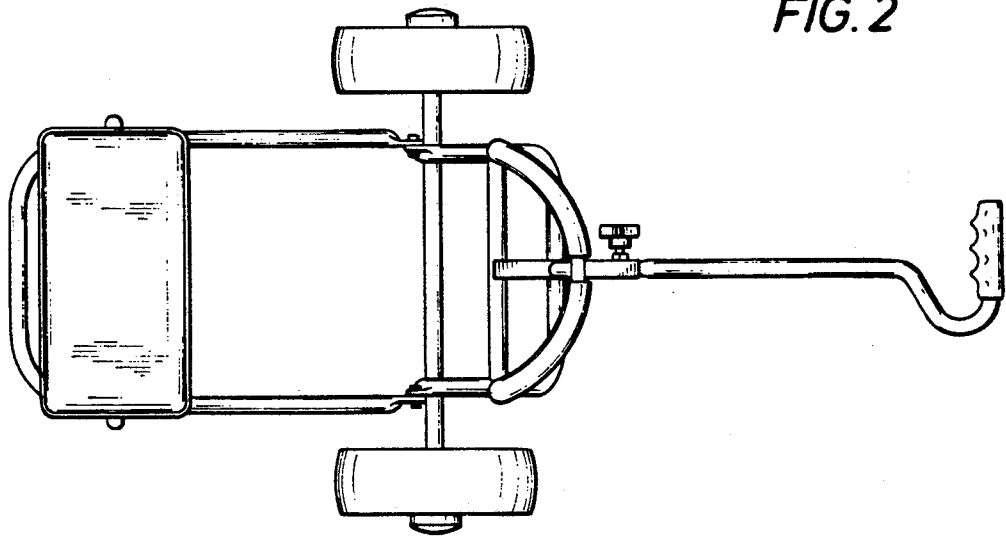


FIG. 2



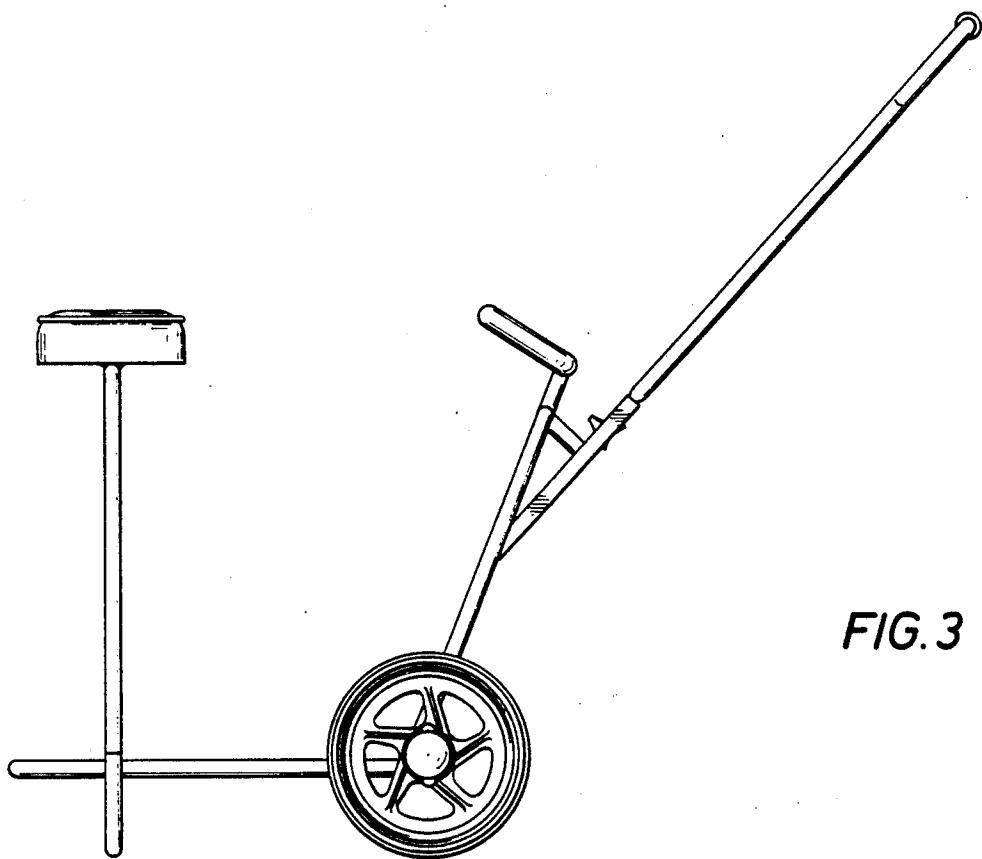
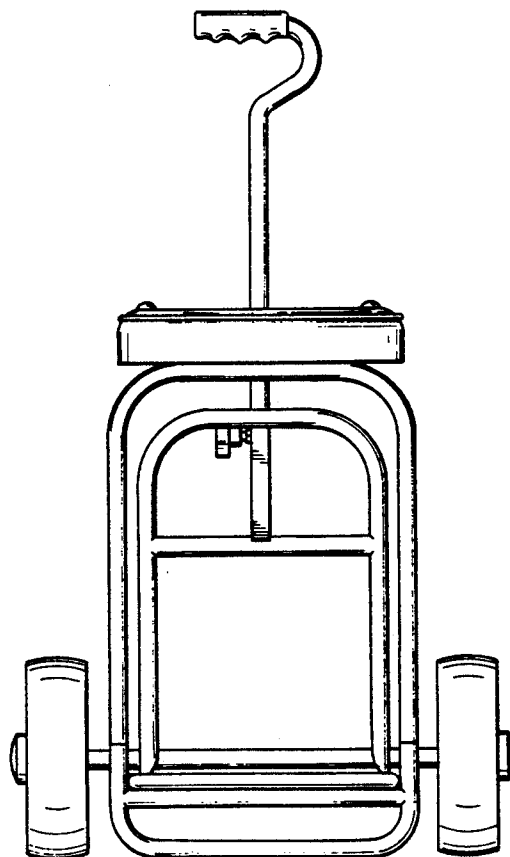


FIG. 3

FIG. 4



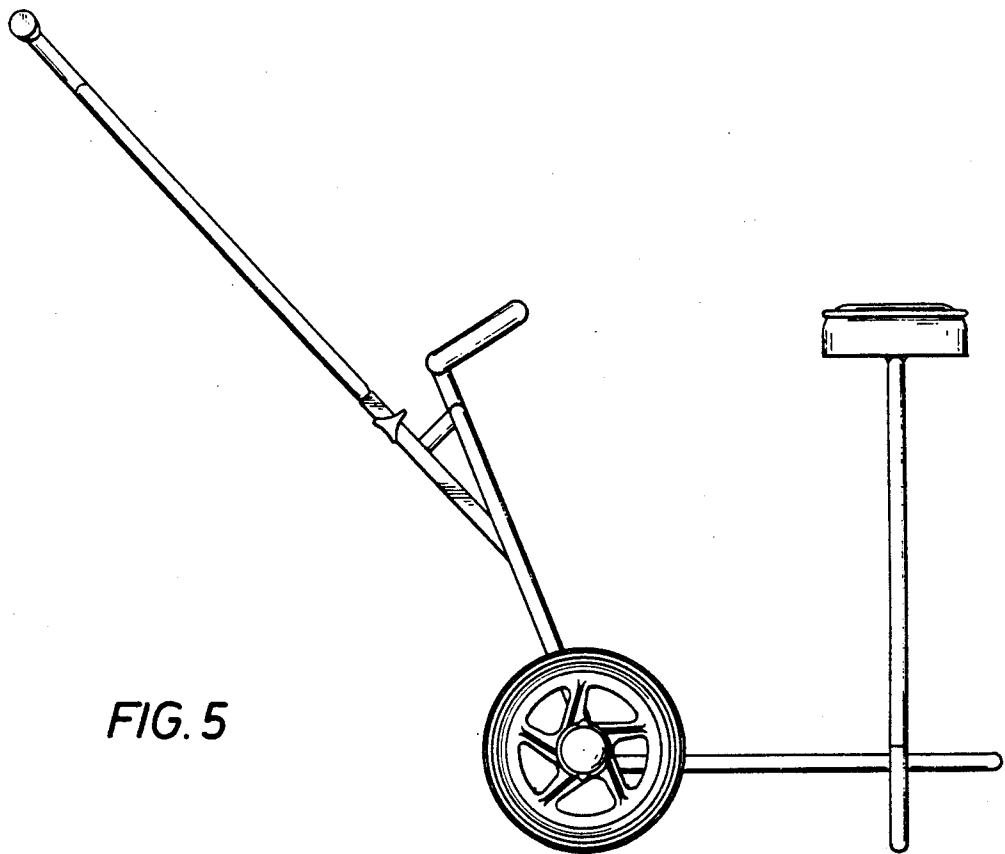


FIG. 5

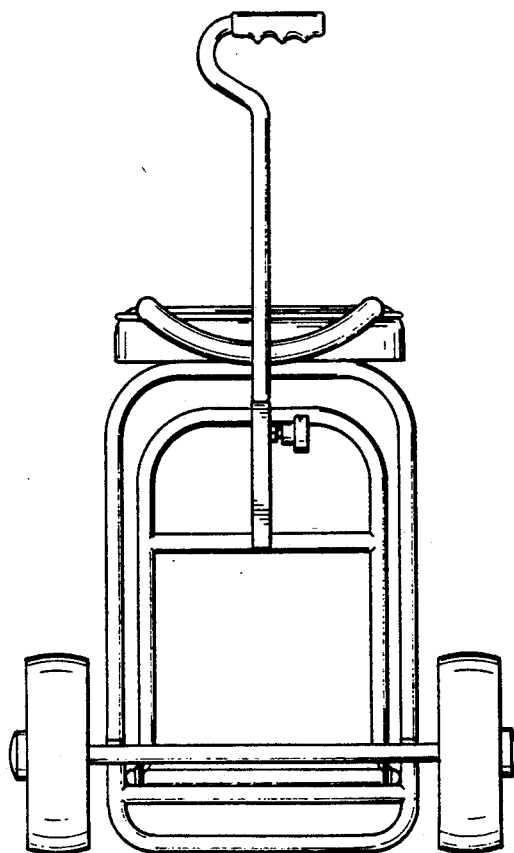


FIG. 6