

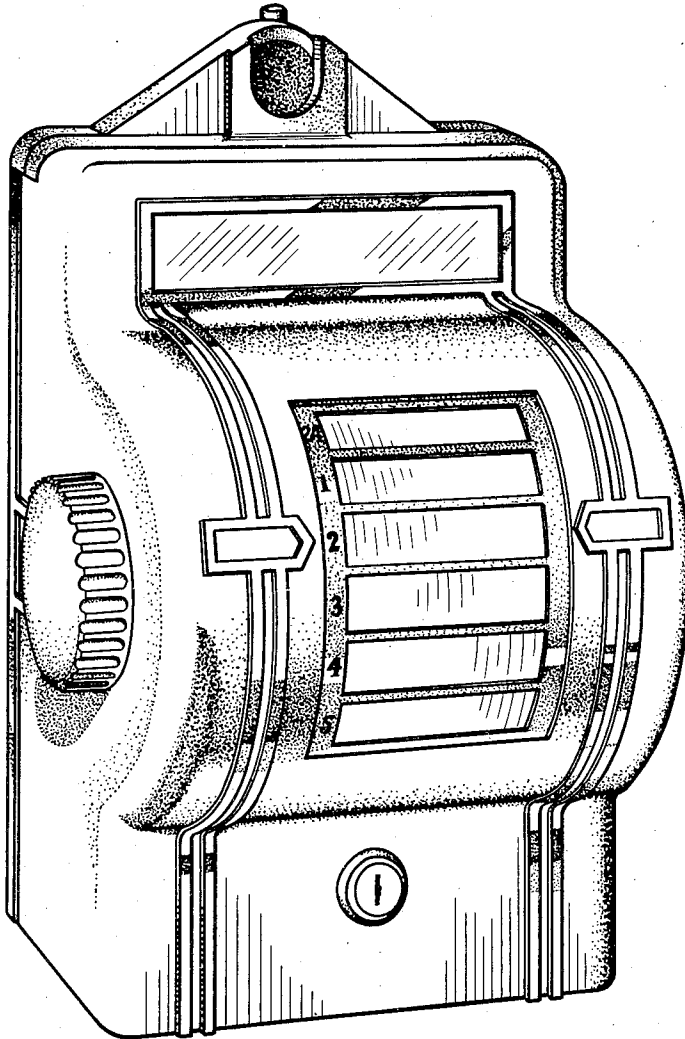
Dec. 31, 1940.

E. E. COLLISON

Des. 124,440

CABINET FOR PHONOGRAPH REMOTE CONTROL UNIT

Filed Oct. 5, 1940



INVENTOR.
EDWARD E. COLLISON.
BY *Alley Smith*
ATTORNEYS.

UNITED STATES PATENT OFFICE

124,440

DESIGN FOR A CABINET FOR PHONOGRAPH REMOTE CONTROL UNIT

Edward E. Collison, Indianapolis, Ind., assignor
to Homer E. Capehart, Washington, Ind.

Application October 5, 1940, Serial No. 95,663

Term of patent 7 years

To all whom it may concern:

Be it known that I, Edward E. Collison, a citizen of the United States, residing at Indianapolis, Marion County, Indiana, have invented a new, original, and ornamental Design for a Cabinet for Phonograph Remote Control Unit, of which the following is a specification, reference being had to the accompanying drawing, forming part thereof.

The single figure is a perspective view of a cabinet for phonograph remote control unit, showing my new design.

The remote side of the cabinet is the same in appearance as the near side illustrated in the drawing, while the back and bottom walls of the cabinet are plain.

I claim:

The ornamental design for a cabinet for phonograph remote control unit, as shown and described.

EDWARD E. COLLISON.