



US00D471194S

(12) **United States Design Patent** (10) **Patent No.:** **US D471,194 S**  
**Huang** (45) **Date of Patent:** **\*\* Mar. 4, 2003**

- (54) **LCD MONITOR**
- (75) Inventor: **Ching-Hsian Huang**, Chung Ho (TW)
- (73) Assignee: **Amtran Technology Co., Ltd.**, Chung Ho (TW)
- (\*\*) Term: **14 Years**
- (21) Appl. No.: **29/155,913**
- (22) Filed: **Feb. 19, 2002**
- (51) **LOC (7) Cl.** ..... **14-02**
- (52) **U.S. Cl.** ..... **D14/375**
- (58) **Field of Search** ..... D14/374, 375, D14/371, 376, 125-129; D20/10; 248/917-924; 345/104, 156, 168, 173, 87; 348/180, 184, 325, 739; 349/1, 2, 11, 62; 341/12

- (56) **References Cited**
- U.S. PATENT DOCUMENTS**
- D395,453 S \* 6/1998 Kawasaki et al. .... D20/10
- D417,659 S \* 12/1999 Takemasa ..... D14/374
- D431,566 S \* 10/2000 Chuo et al. .... D14/375
- D432,102 S \* 10/2000 Arie ..... D14/126

\* cited by examiner

*Primary Examiner*—Freda Nunn  
(74) *Attorney, Agent, or Firm*—MacPherson Kwok Chen & Heid LLP

(57) **CLAIM**

The ornamental design for LCD monitor, as shown and described.

**DESCRIPTION**

FIG. 1 is a perspective view of LCD monitor showing my new design;  
 FIG. 2 is a front elevational view thereof;  
 FIG. 3 is a rear elevational view thereof;  
 FIG. 4 is a left side elevational view thereof;  
 FIG. 5 is a right side elevational view thereof;  
 FIG. 6 is a top plan view thereof;  
 FIG. 7 is a bottom plan view thereof; and,  
 FIG. 8 is a perspective view of another embodiment of my new design wherein the stand is shown in broken lines for illustrative purposes only and forms no part of the claimed design.

**1 Claim, 7 Drawing Sheets**

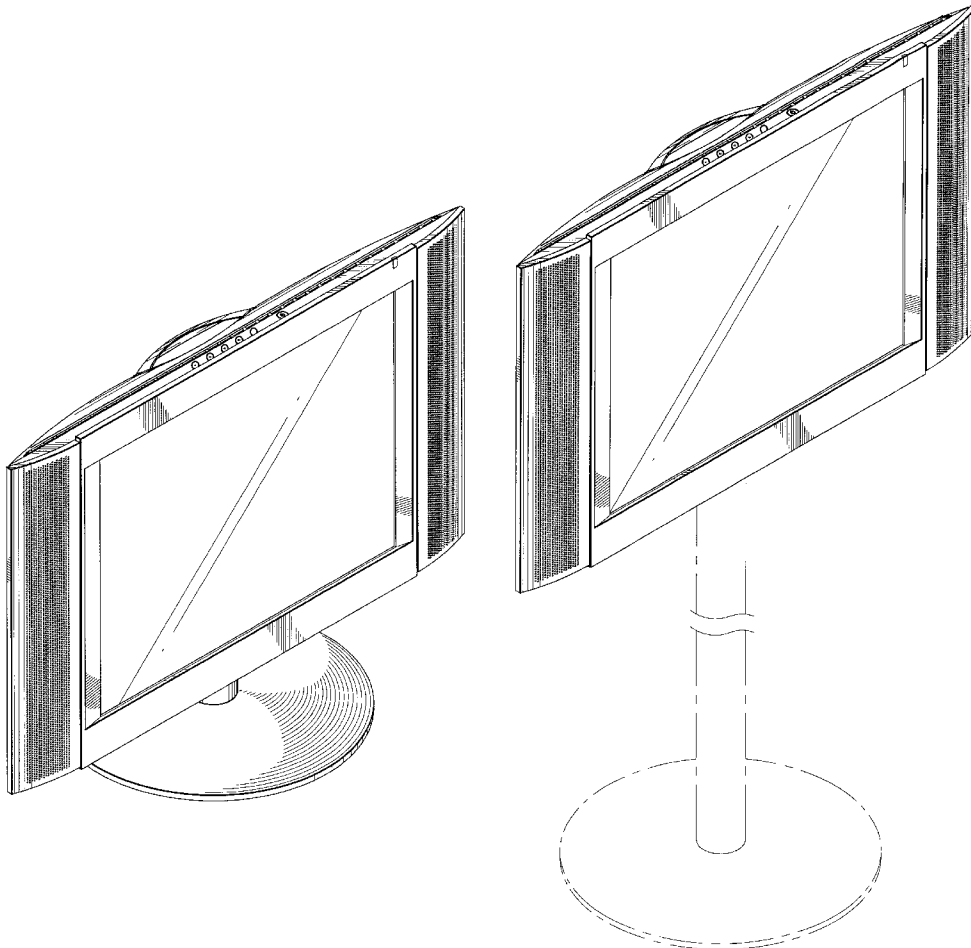
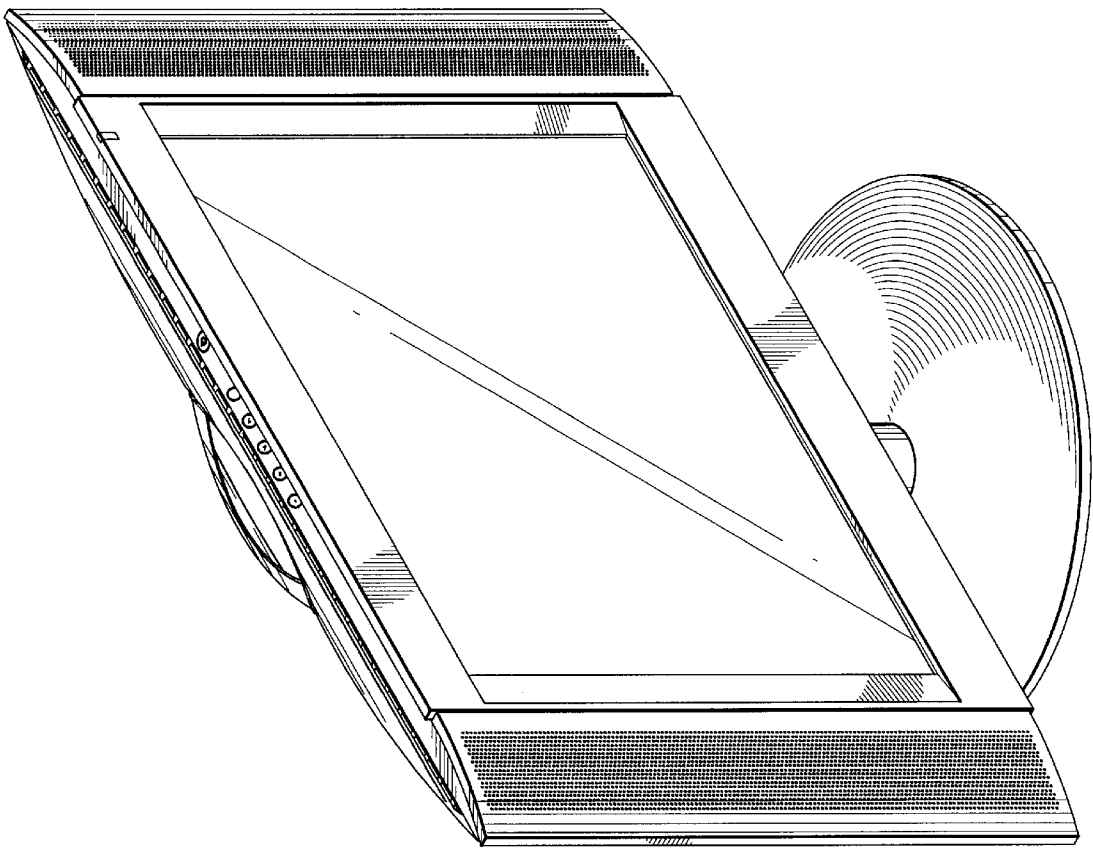


FIG. 1



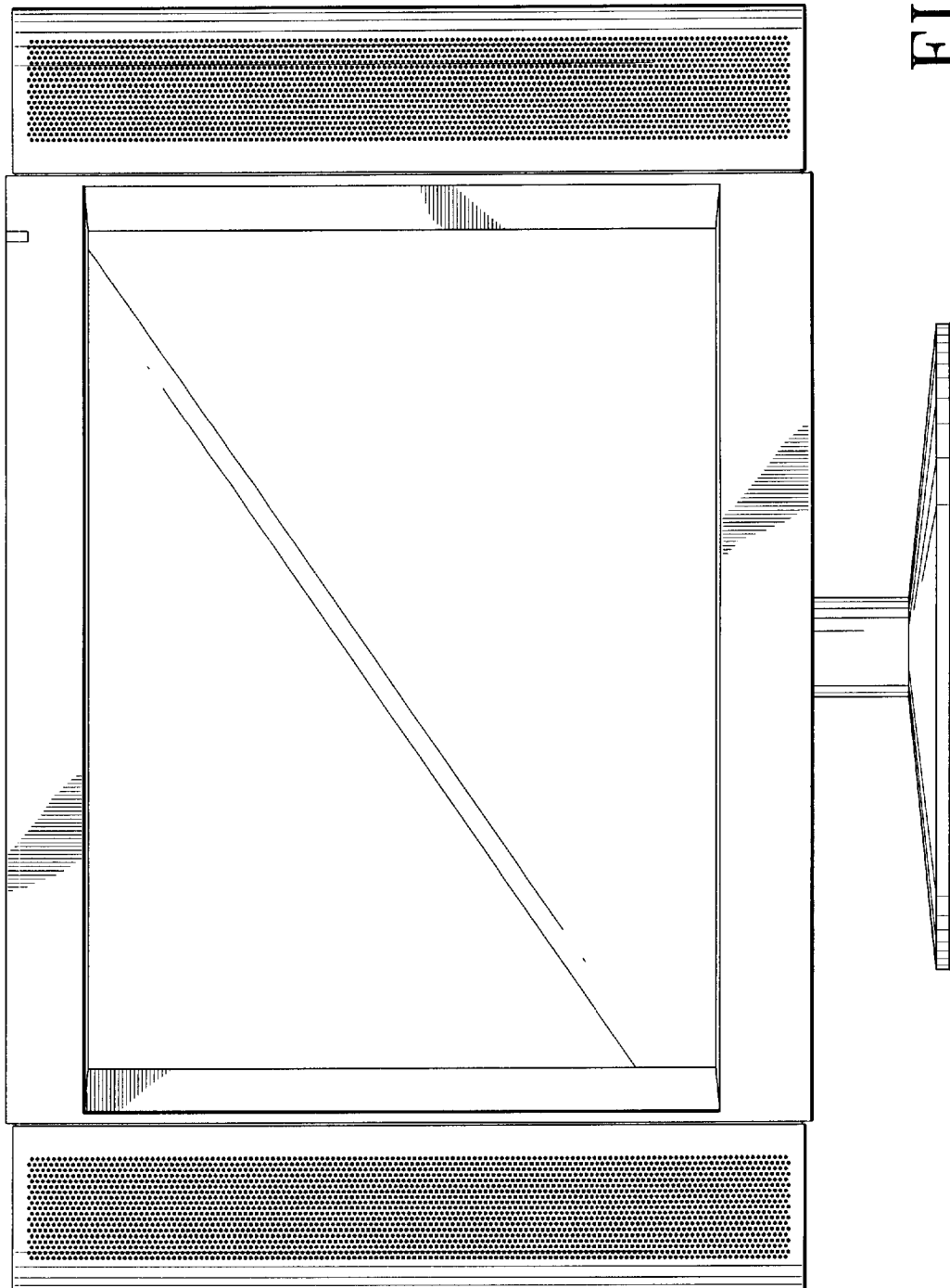


FIG. 2

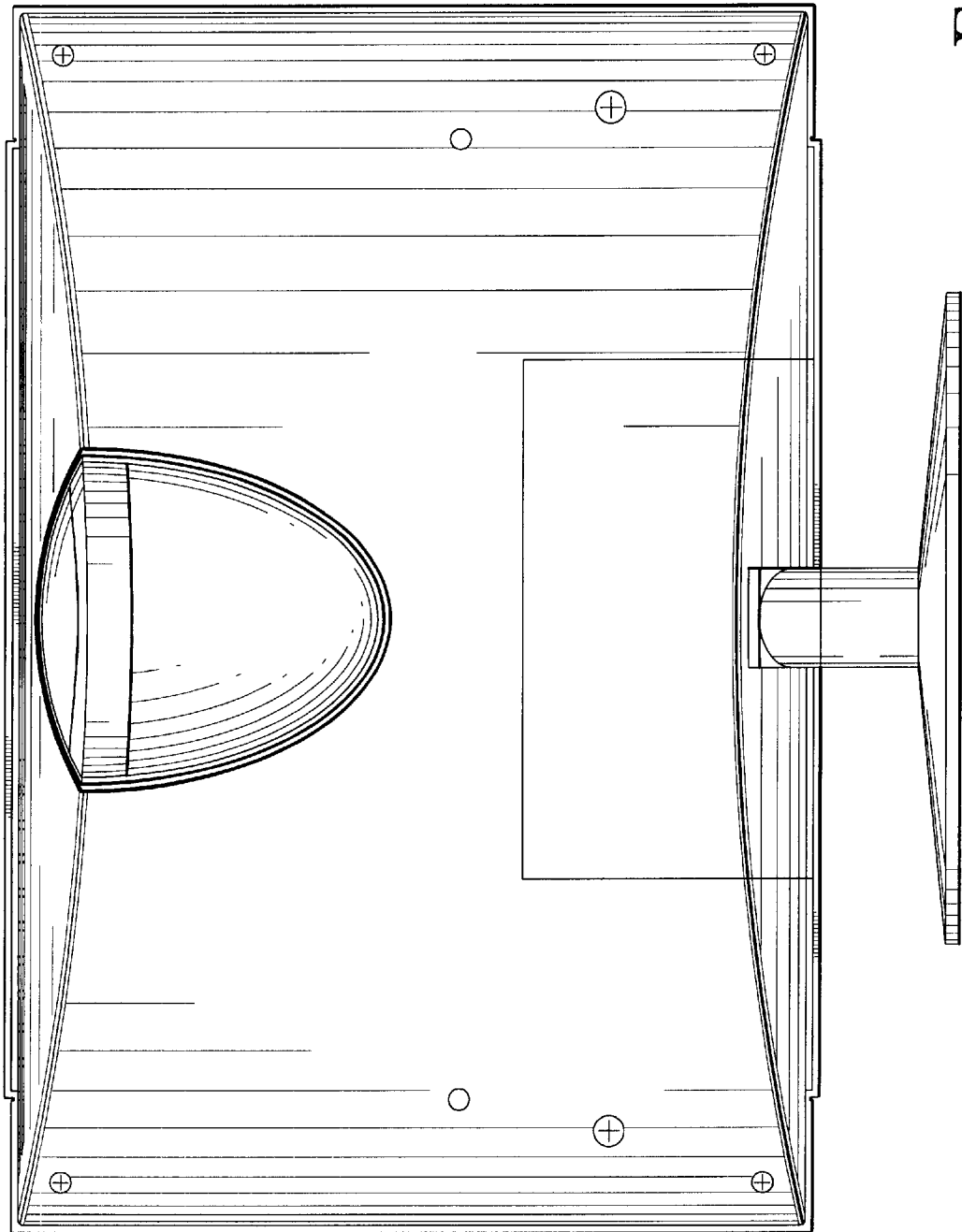


FIG. 3

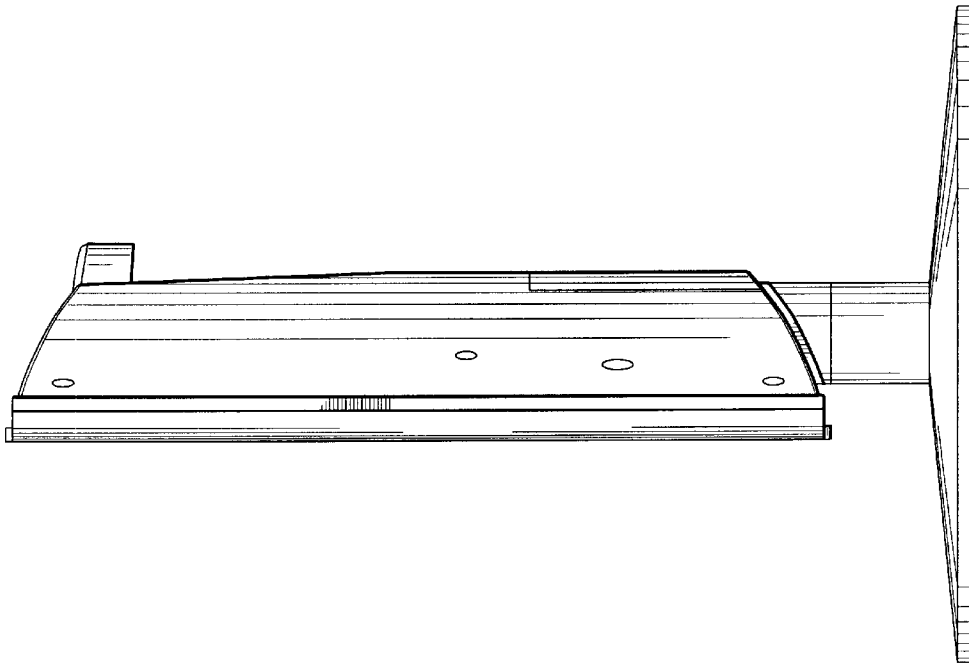


FIG. 5

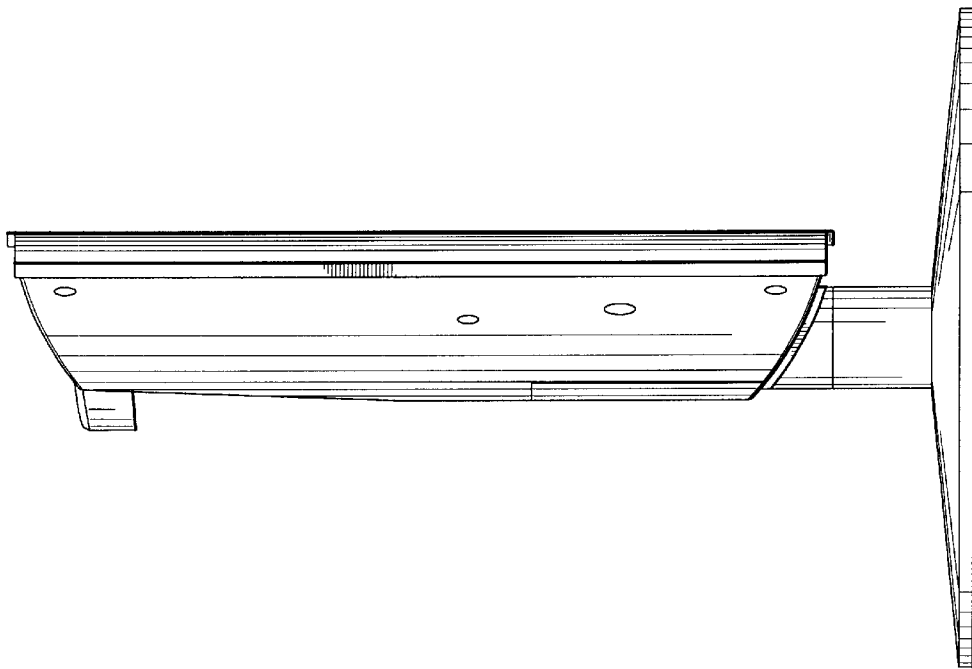


FIG. 4

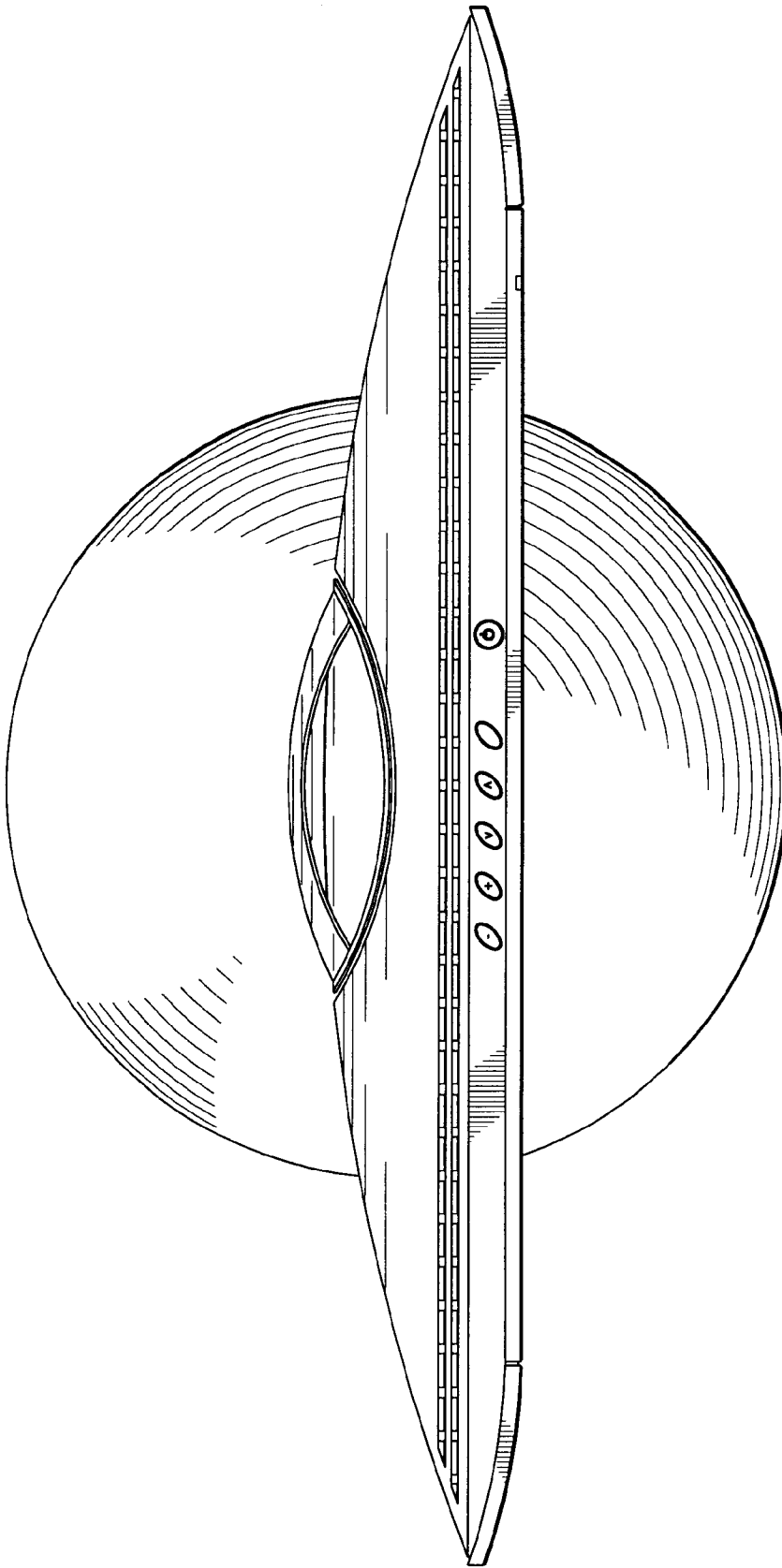


FIG. 6

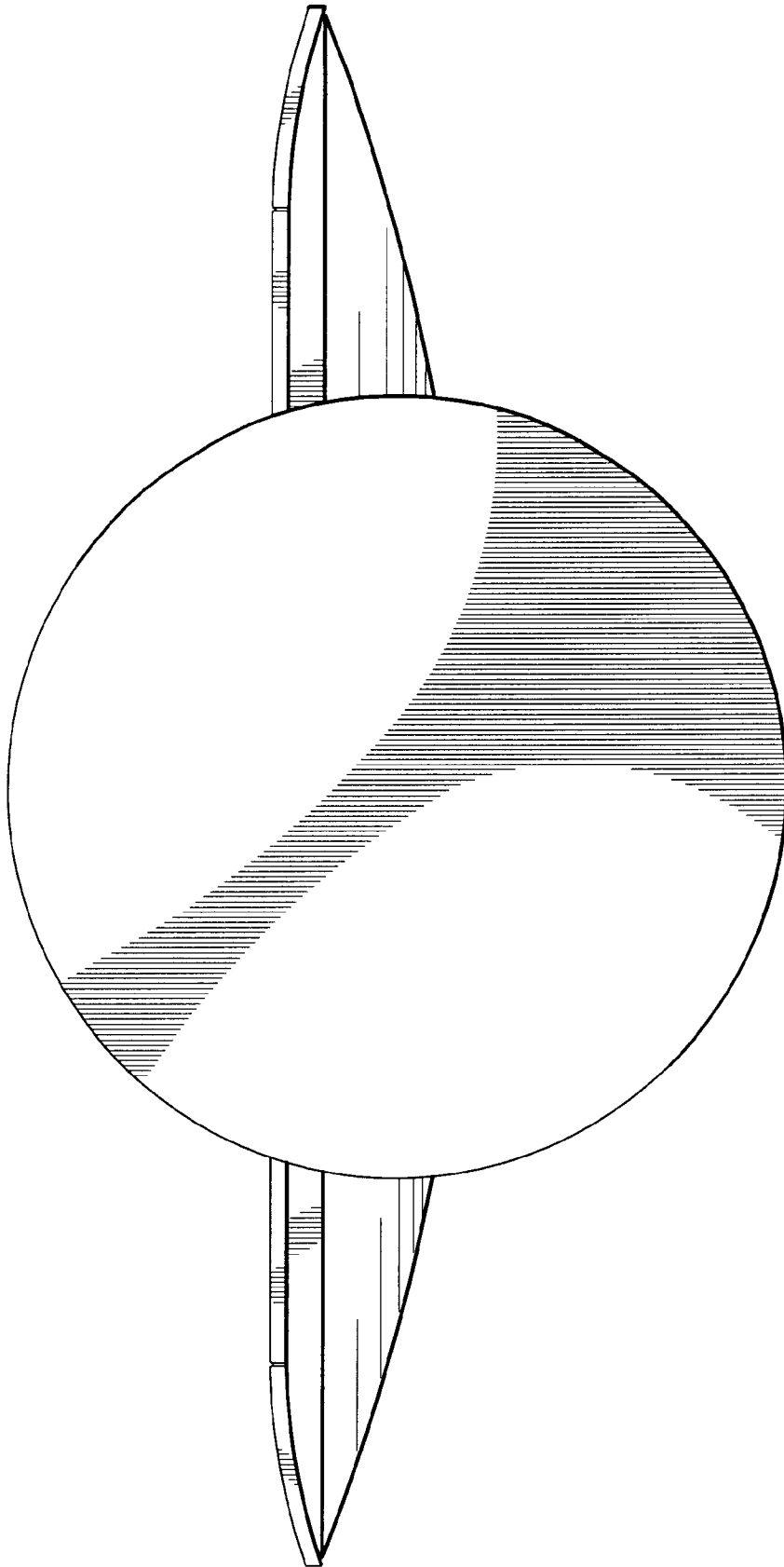


FIG. 7

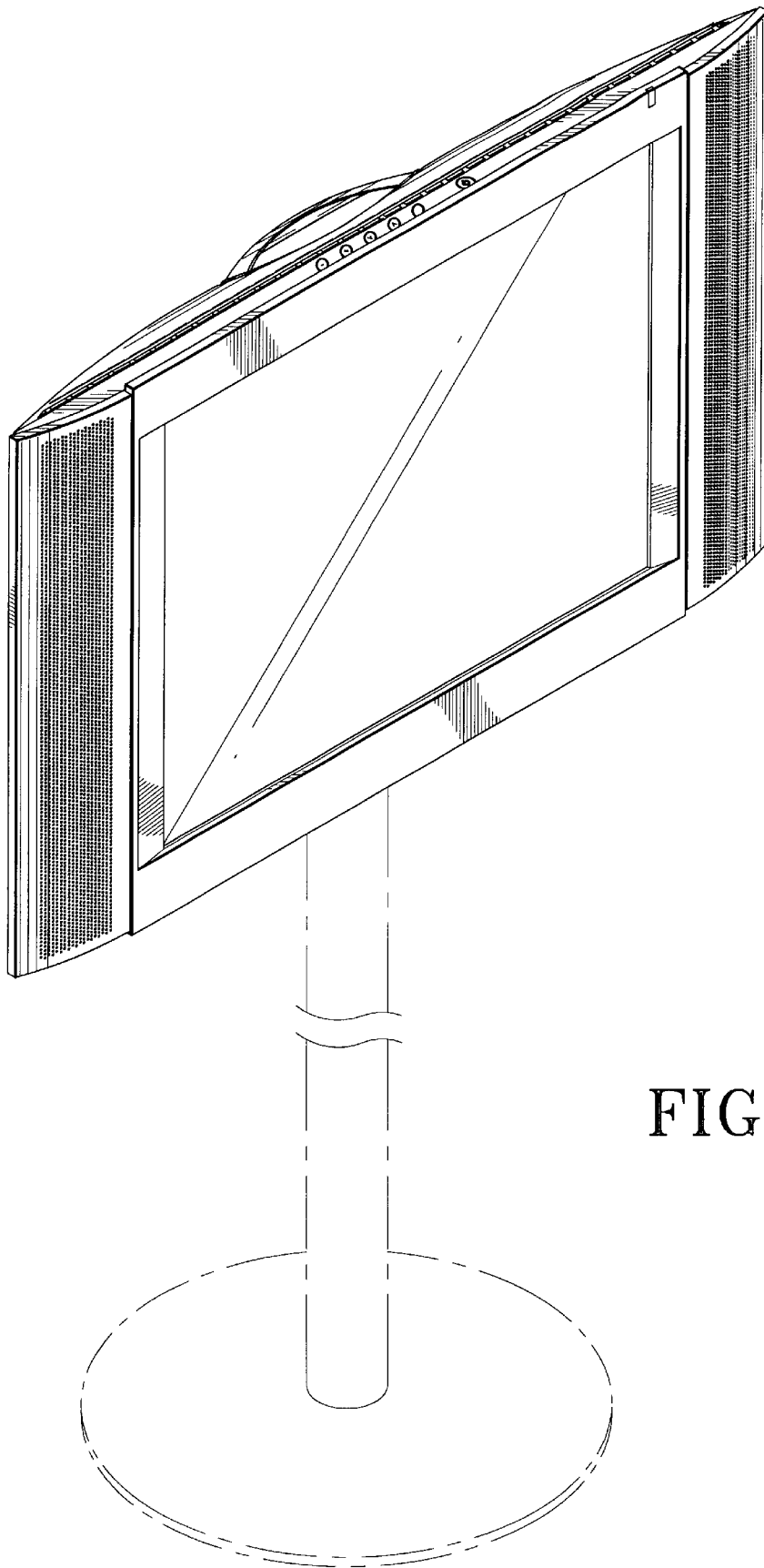


FIG. 8