



US00D367261S

**United States Patent** [19]  
**Hansen**

[11] **Patent Number:** **Des. 367,261**

[45] **Date of Patent:** **\*\*Feb. 20, 1996**

[54] **PLUG WITH INDICATOR LIGHT**  
[76] **Inventor:** **Carl R. Hansen**, 1805 Aspen Drive,  
Dawson Creek, British Columbia,  
Canada, V1G 2S5  
[\*\*] **Term:** **14 Years**  
[21] **Appl. No.:** **36,474**  
[22] **Filed:** **Mar. 21, 1995**  
[52] **U.S. Cl.** ..... **D13/138**  
[58] **Field of Search** ..... D13/137, 138,  
D13/140, 142, 160; 439/490, 501, 502;  
200/51.02, 51 R, 51 LM; 307/114

4,969,834 11/1990 Johnson ..... 439/490 X  
5,007,857 4/1991 Wright ..... 439/490  
5,320,560 6/1994 Fladung ..... 439/490

*Primary Examiner*—Joel Sincavage  
*Attorney, Agent, or Firm*—James A. Hudak

[57] **CLAIM**

The ornamental design for an plug with indicator light, as shown and described.

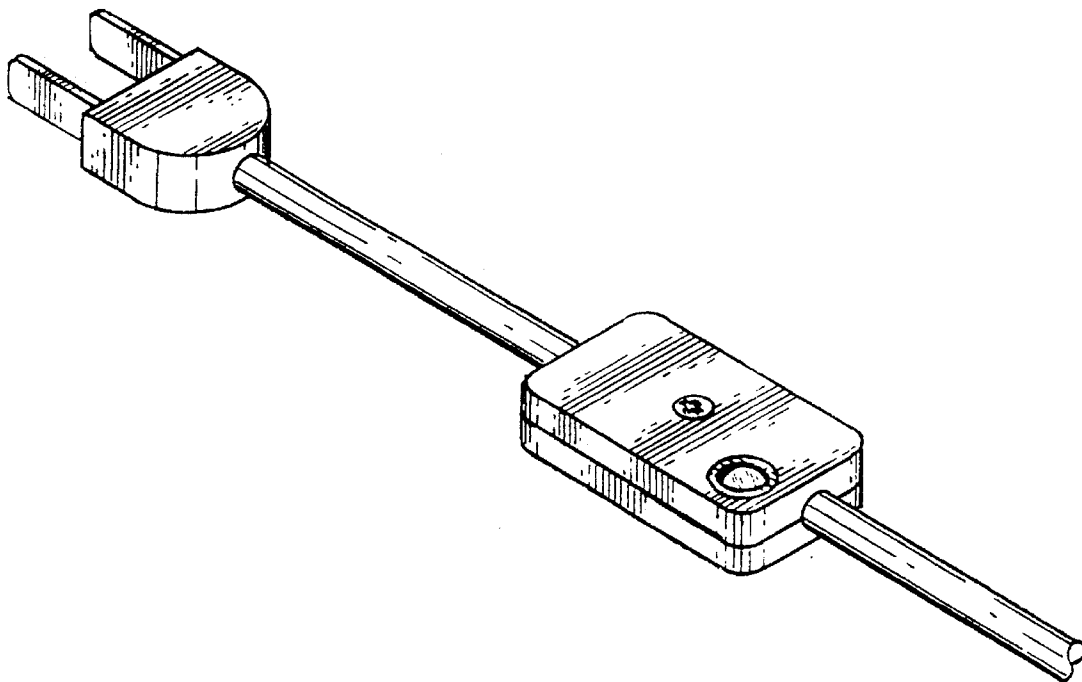
**DESCRIPTION**

FIG. 1 is a perspective view of the plug with indicator light showing my new design;  
FIG. 2 is a front elevational view thereof, the rear elevational view being a mirror image of the view shown in this Figure;  
FIG. 3 is a left side elevational view thereof;  
FIG. 4 is a right side elevational view thereof;  
FIG. 5 is a top plan view thereof; and,  
FIG. 6 is a bottom plan view thereof.

[56] **References Cited**  
**U.S. PATENT DOCUMENTS**

D. 307,579 5/1990 Layne et al. .... D13/140  
D. 358,368 5/1995 Howard et al. .... D13/160  
3,983,407 9/1976 Shott ..... D13/138 X  
4,671,597 6/1987 Grill ..... 362/253

**1 Claim, 2 Drawing Sheets**



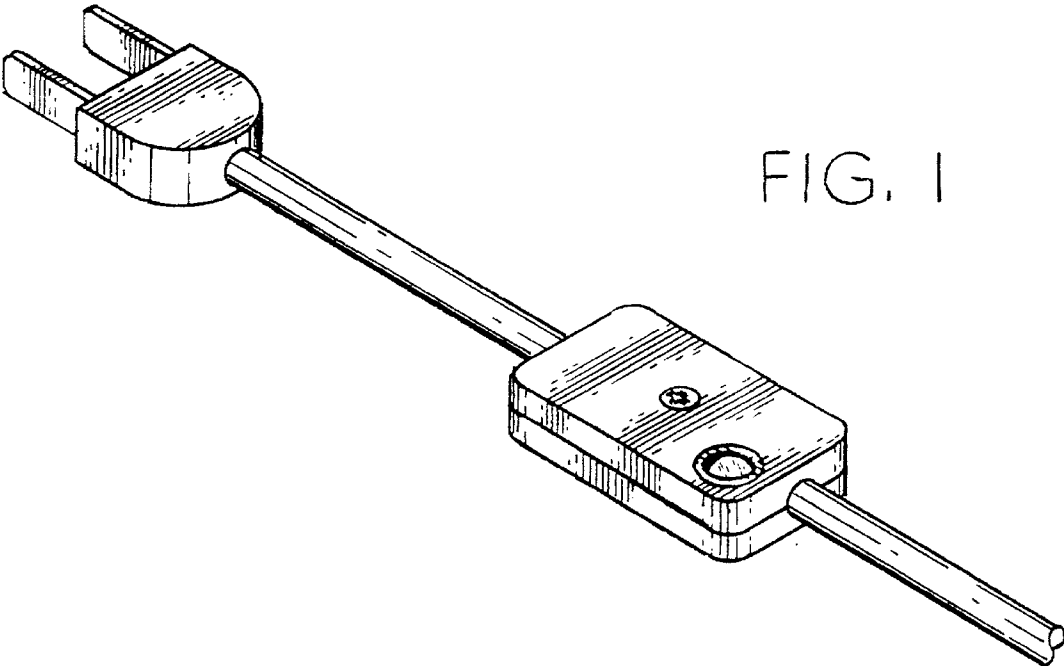


FIG. 1

FIG. 2

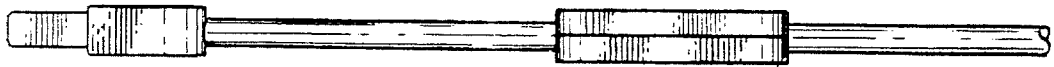


FIG. 3



FIG. 4



FIG. 5

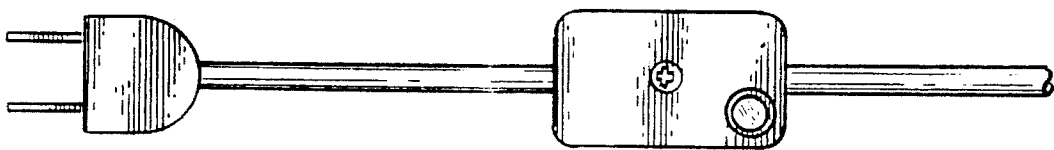


FIG. 6

