



US00D360565S

United States Patent [19]

[11] Patent Number: **Des. 360,565**

Hsu

[45] Date of Patent: **** Jul. 25, 1995**

[54] **STAPLE REMOVER**

[75] Inventor: **Walter W. Hsu**, Yinlin, Taiwan

[73] Assignee: **Welter's Co., Ltd.**, Yinlin, Taiwan

[**] Term: **14 Years**

[21] Appl. No.: **21,071**

[22] Filed: **Apr. 8, 1994**

[52] U.S. Cl. **D8/48**

[58] Field of Search,..... D8/48, 49, 40; D28/60;
254/28

[56] **References Cited**

U.S. PATENT DOCUMENTS

D. 169,859	6/1953	Misson	D8/48
D. 266,480	10/1982	Reel	D8/48
2,481,647	9/1949	De Generes	254/28
2,762,604	9/1956	Misson	254/28
4,293,119	10/1981	Diederichs	254/28

OTHER PUBLICATIONS

Industrial Equipment News, Aug. 1960 p. 71.

Primary Examiner—Theodore M. Shooman
Assistant Examiner—Adir Aronovich
Attorney, Agent, or Firm—Browdy & Neimark

[57] **CLAIM**

The ornamental design for a staple remover, as shown and described.

DESCRIPTION

FIG. 1 is a perspective view of staple remover of my new design;

FIG. 2 is a front view thereof;

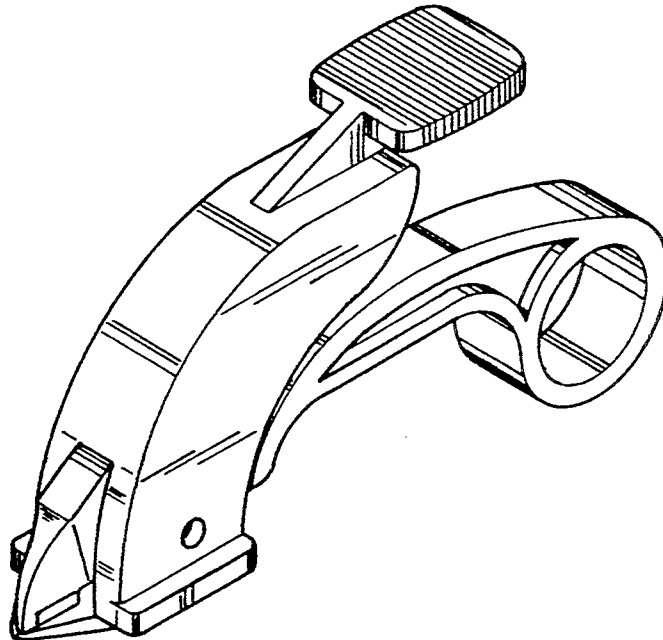
FIG. 3 is a back side view thereof;

FIG. 4 is a left side view thereof;

FIG. 5 is a right side view thereof;

FIG. 6 is a top plan view thereof; and,

FIG. 7 is a bottom view thereof.



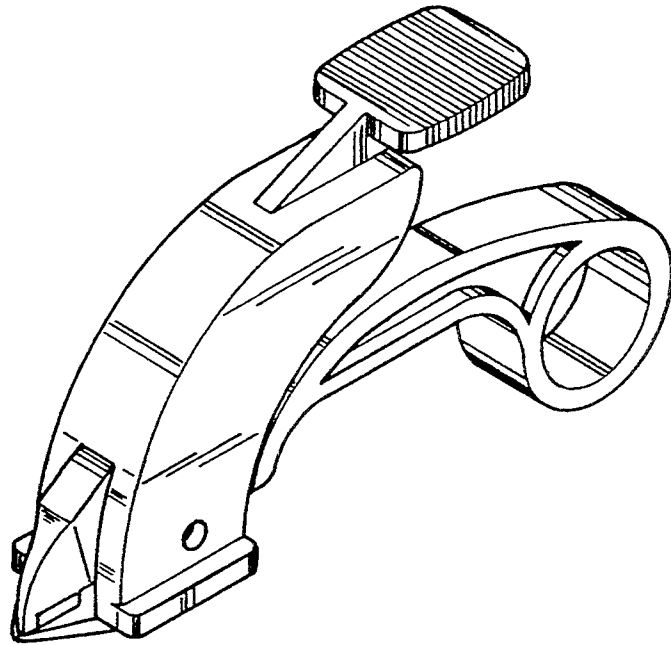


FIG. 1

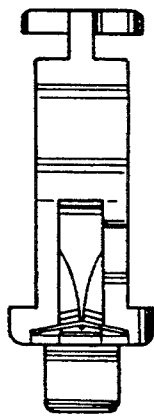


FIG. 2

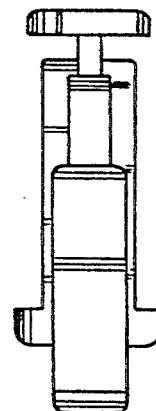


FIG. 3

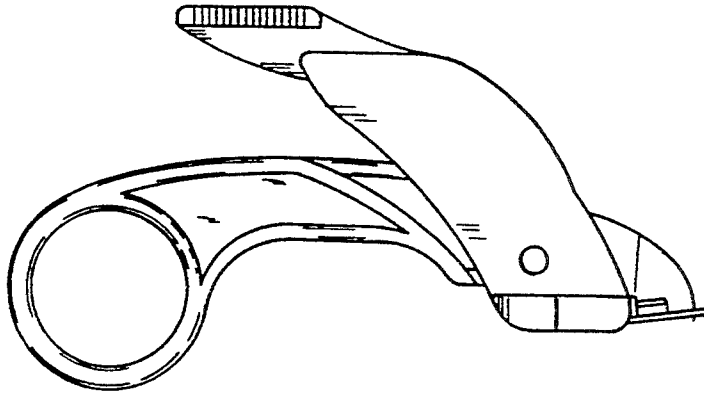


FIG. 4

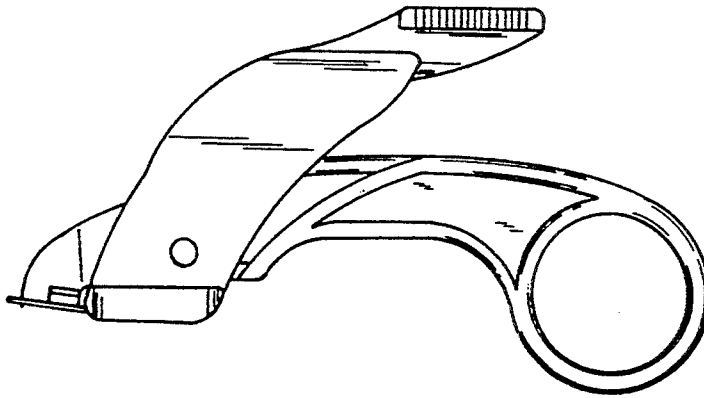


FIG. 5

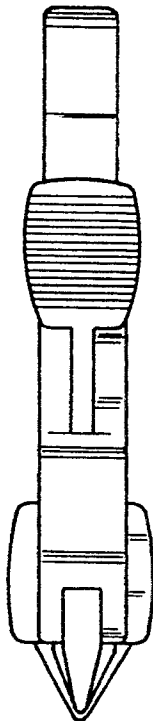


FIG. 6

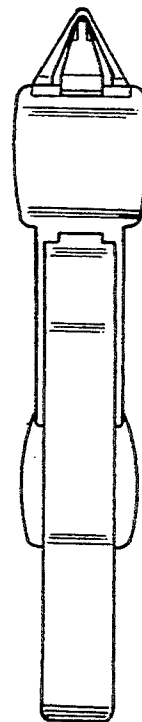


FIG. 7