



US00D875151S

(12) **United States Design Patent**
Matthews

(10) **Patent No.:** **US D875,151 S**

(45) **Date of Patent:** **** Feb. 11, 2020**

- (54) **MICROSCOPE DRAPE**
- (71) Applicant: **Ecolab USA Inc.**, St. Paul, MN (US)
- (72) Inventor: **Steffanie Matthews**, Milton, GA (US)
- (73) Assignee: **Ecolab USA Inc.**, St. Paul, MN (US)
- (**) Term: **15 Years**
- (21) Appl. No.: **29/602,289**

D700,264 S * 2/2014 Smith D22/108
 9,125,652 B2 9/2015 Federle et al.
 9,563,045 B2 2/2017 Doi et al.
 D783,024 S * 4/2017 Conley D14/432
 D811,408 S * 2/2018 Wadsworth D14/432
 (Continued)

FOREIGN PATENT DOCUMENTS

DE 10 2015 224 986 A1 4/2017
 EP 2 559 396 A2 2/2013
 (Continued)

OTHER PUBLICATIONS

Bible, J. et al., "Microscope Sterility During Spine Surgery," Spine, vol. 37, No. 7, pp. 623-627 (Apr. 2012) 2 page Abstract.

Primary Examiner — Mark A Goodwin
Assistant Examiner — Benjamin M Weeks
 (74) *Attorney, Agent, or Firm* — Merchant & Gould P.C.

(57)

CLAIM

The ornamental design for a microscope drape, as shown and described.

DESCRIPTION

FIG. 1 is a top, right, front perspective view of a first embodiment of a microscope drape; break lines indicate the drape is of indeterminate length;
 FIG. 2 is a top view of the microscope drape of FIG. 1;
 FIG. 3 is a bottom view of the microscope drape of FIG. 1;
 FIG. 4 is a front view of the microscope drape of FIG. 1;
 FIG. 5 is a back view of the microscope drape of FIG. 1;
 FIG. 6 is a right side view of the microscope drape of FIG. 1; and,
 FIG. 7 is a left side view of the microscope drape of FIG. 1.
 In the above drawings, the broken lines and the areas within the broken lines form no part of the claimed design.

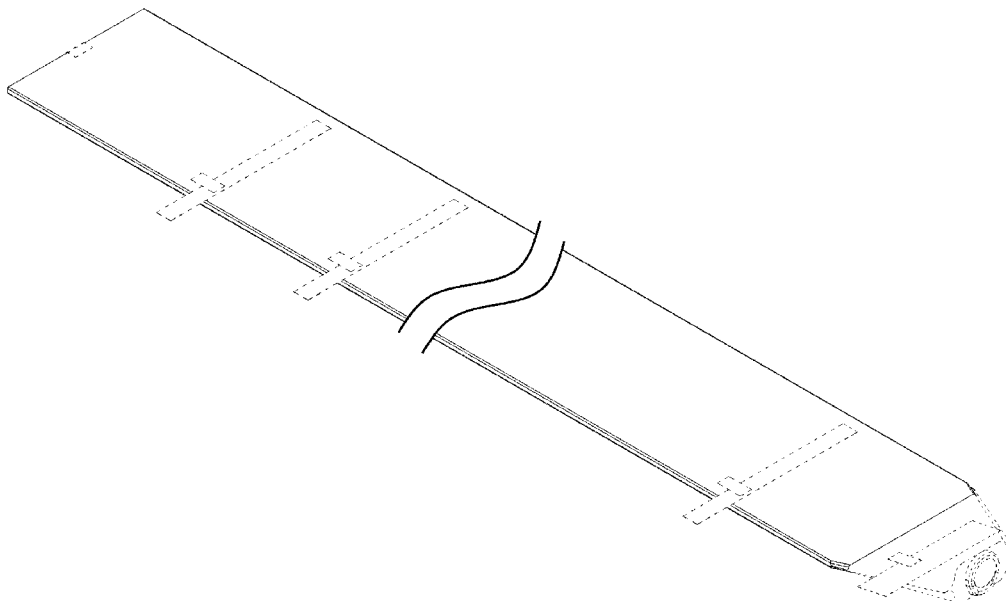
1 Claim, 3 Drawing Sheets

- (22) Filed: **Apr. 28, 2017**
- (51) **LOC (12) Cl.** **16-99**
- (52) **U.S. Cl.**
USPC **D16/130**
- (58) **Field of Classification Search**
USPC D16/19, 38, 48, 100, 101, 131, 132, 133,
D16/134, 135, 310, 140, 130; D14/372,
D14/496, 432; D26/142
CPC A42B 3/04; A61B 17/00
See application file for complete search history.

(56) **References Cited**

U.S. PATENT DOCUMENTS

3,698,791 A	10/1972	Walchle et al.
4,183,613 A	1/1980	Walchle et al.
4,266,663 A	5/1981	Geraci
4,561,540 A	12/1985	Hunter et al.
4,799,779 A	1/1989	Mesmer
5,122,904 A	6/1992	Fujiwara et al.
5,608,574 A	3/1997	Heinrich
5,682,264 A	10/1997	Cleveland et al.
5,853,363 A	12/1998	Vought
6,024,454 A	2/2000	Horan et al.
6,116,741 A	9/2000	Paschal
6,805,453 B2	10/2004	Spetzler et al.
7,122,032 B2	10/2006	Shinmura et al.
7,234,824 B2	6/2007	Langley
7,374,295 B2	5/2008	Fuchs et al.
7,846,086 B2	12/2010	Brenner et al.



(56)

References Cited

U.S. PATENT DOCUMENTS

2005/0094269	A1	5/2005	Moses et al.	
2007/0064309	A1	3/2007	Luloh et al.	
2008/0144178	A1	6/2008	Dillon et al.	
2009/0314400	A1*	12/2009	Liu	A45C 11/00 150/165
2013/0048203	A1*	2/2013	Yau	B32B 7/06 156/230
2013/0264235	A1*	10/2013	Lin	A45C 11/00 206/320
2014/0055927	A1*	2/2014	Wang	H05K 7/00 361/679.01
2015/0107767	A1*	4/2015	Wadsworth	B29C 66/861 156/324
2015/0148615	A1	5/2015	Brennan et al.	
2015/0366618	A1	12/2015	Higuchi et al.	
2017/0001364	A1*	1/2017	MacDonald	B32B 7/06
2017/0231706	A1	8/2017	Vayser	

FOREIGN PATENT DOCUMENTS

EP	1 618 425	B1	4/2015
FR	2 996 116	A1	4/2014
JP	2013-27733	A	2/2013
JP	2014-76361	A	5/2014
JP	2016-7234	A	1/2016

* cited by examiner

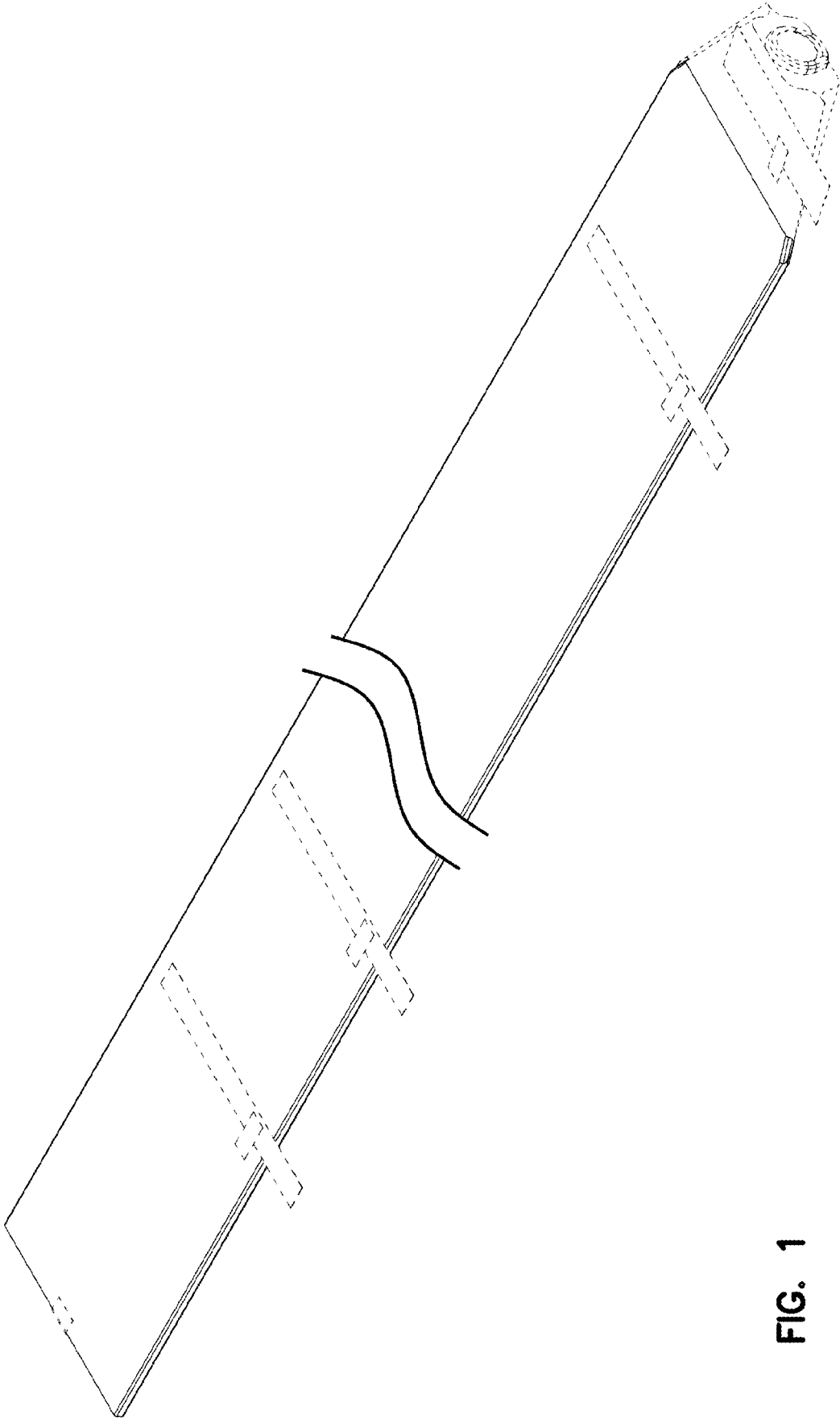


FIG. 1

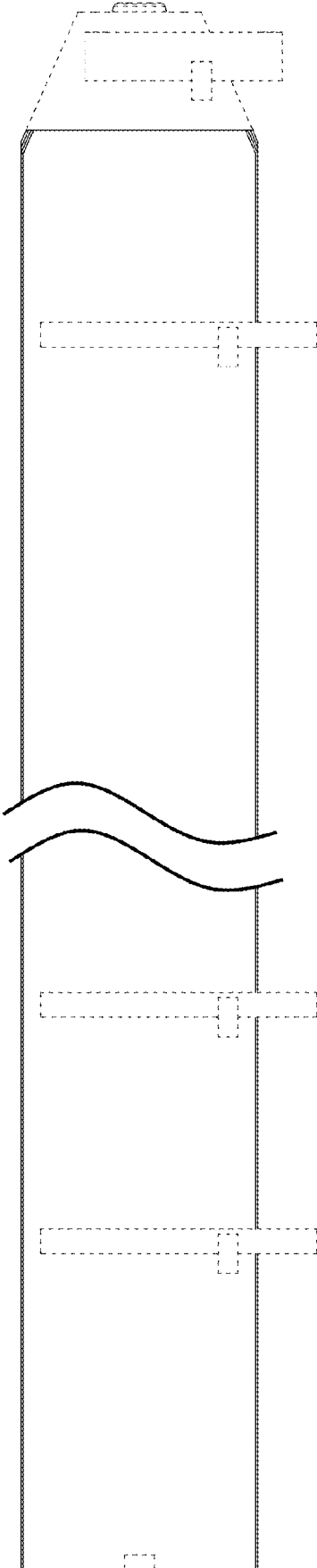


FIG. 2

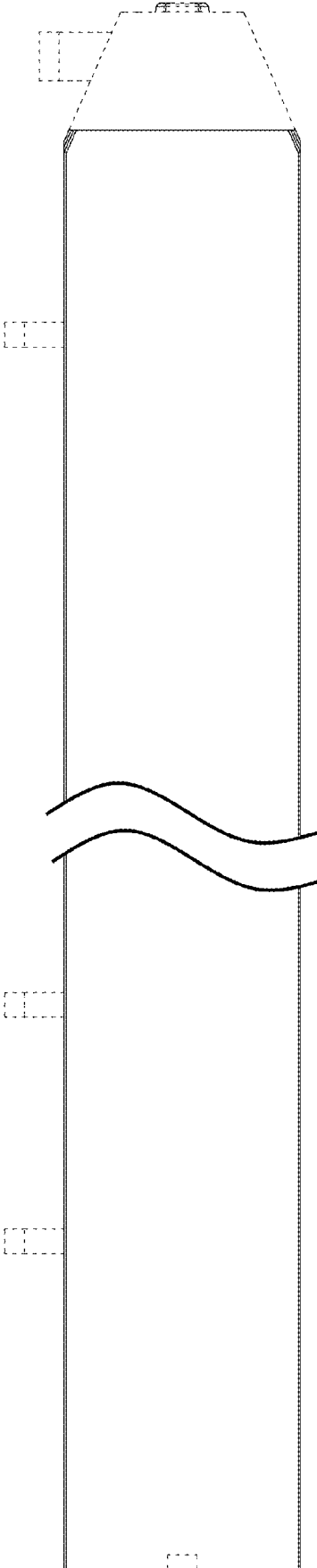


FIG. 3

FIG. 5



FIG. 4



FIG. 6

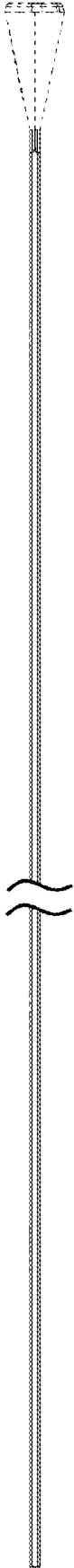


FIG. 7

