



(12) **United States Design Patent**
Bennett

(10) **Patent No.:** **US D855,672 S**
(45) **Date of Patent:** **** Aug. 6, 2019**

(54) **OIL CONTAINER DRAIN**

(71) Applicant: **Hopkins Manufacturing Corporation,**
Emporia, KS (US)

(72) Inventor: **Kyle Bennett,** Emporia, KS (US)

(73) Assignee: **Hopkins Manufacturing Corporation,**
Emporia, KS (US)

(**) Term: **15 Years**

(21) Appl. No.: **29/672,380**

(22) Filed: **Dec. 5, 2018**

OTHER PUBLICATIONS

“Hopkins Towing Solution 42001MI Oil Drain Container.” Found online Mar. 15, 2018 at www.amazon.com. Page dated Dec. 18, 2016. Retrieved from URL: https://www.amazon.com/Hopkins-Towing-Solution-42001MI-Container/dp/B01MZ168MK (Year: 2016).*

(Continued)

Primary Examiner — Garth Rademaker

Assistant Examiner — Katelin G Kloberg

(74) *Attorney, Agent, or Firm* — Hovey Williams LLP

(57) **CLAIM**

The ornamental design for an oil container drain, as shown and described.

Related U.S. Application Data

(62) Division of application No. 29/560,201, filed on Apr. 4, 2016, now Pat. No. Des. 839,330.

(51) **LOC (12) Cl.** **09-09**

(52) **U.S. Cl.**

USPC **D15/150**

(58) **Field of Classification Search**

USPC D15/150–152; D24/123

CPC F16N 31/004; F16N 31/002; B65D 25/00;

F01M 11/0458; F01M 11/04

See application file for complete search history.

(56) **References Cited**

U.S. PATENT DOCUMENTS

2,267,552 A * 12/1941 Currier F16N 31/002
184/1.5

D220,470 S * 4/1971 Lewis 269/15

D262,776 S * 1/1982 Sandow D15/152

4,488,584 A * 12/1984 Hestehave B65D 25/20

141/331

4,673,081 A * 6/1987 Habig B65D 25/20

141/98

(Continued)

DESCRIPTION

FIG. 1 is a top perspective view of an oil container drain, showing my new design;

FIG. 2 is a bottom perspective view of the oil container drain of FIG. 1;

FIG. 3 is another top perspective view of the oil container drain of FIG. 1;

FIG. 4 is another bottom perspective view of the oil container drain of FIG. 1;

FIG. 5 is a top plan view of the oil container drain of FIG. 1;

FIG. 6 is a bottom view of the oil container drain of FIG. 1;

FIG. 7 is a side elevational view of the oil container drain of FIG. 1;

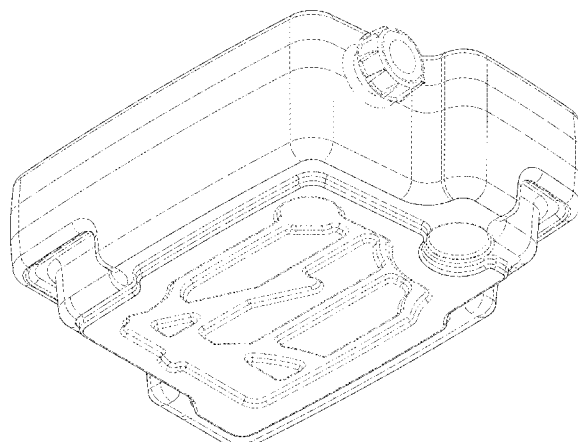
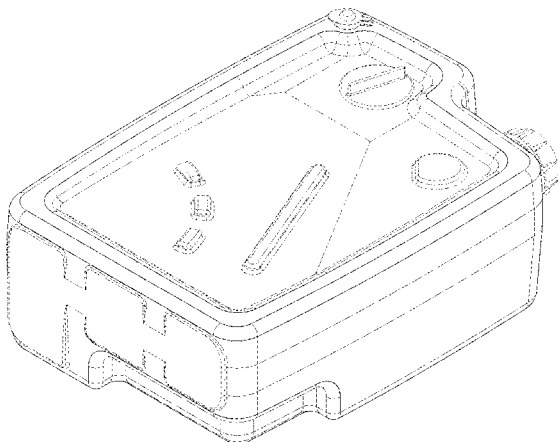
FIG. 8 is another side elevational view of the oil container drain of FIG. 1;

FIG. 9 is a front end view of the oil container drain of FIG. 1; and,

FIG. 10 is a rear end view of the oil container drain of FIG. 1.

The broken lines shown in the drawings depict portions of the article and form no part of the claimed design.

1 Claim, 8 Drawing Sheets



(56)

References Cited

U.S. PATENT DOCUMENTS

4,969,571 A * 11/1990 Bartz B65D 1/20
215/382
D351,394 S * 10/1994 Morris D15/152
5,503,246 A * 4/1996 Raboin B65D 25/00
141/98
D520,367 S * 5/2006 Morris D9/527
8,109,364 B2 * 2/2012 Phillips B67D 7/62
184/1.5
8,210,389 B2 * 7/2012 Treslo F16N 31/004
141/98
D683,777 S * 6/2013 Forbis D15/150
2011/0042385 A1 * 2/2011 Treslo F16N 31/004
220/571

OTHER PUBLICATIONS

“FloTool 11 Quart Drain.” Found online Mar. 15, 2018 at shop.
advanceautoparts.com. No verifiable date. Retrieved from URL:
<https://goo.gl/1GFpCH> (Year: 2018).*

* cited by examiner

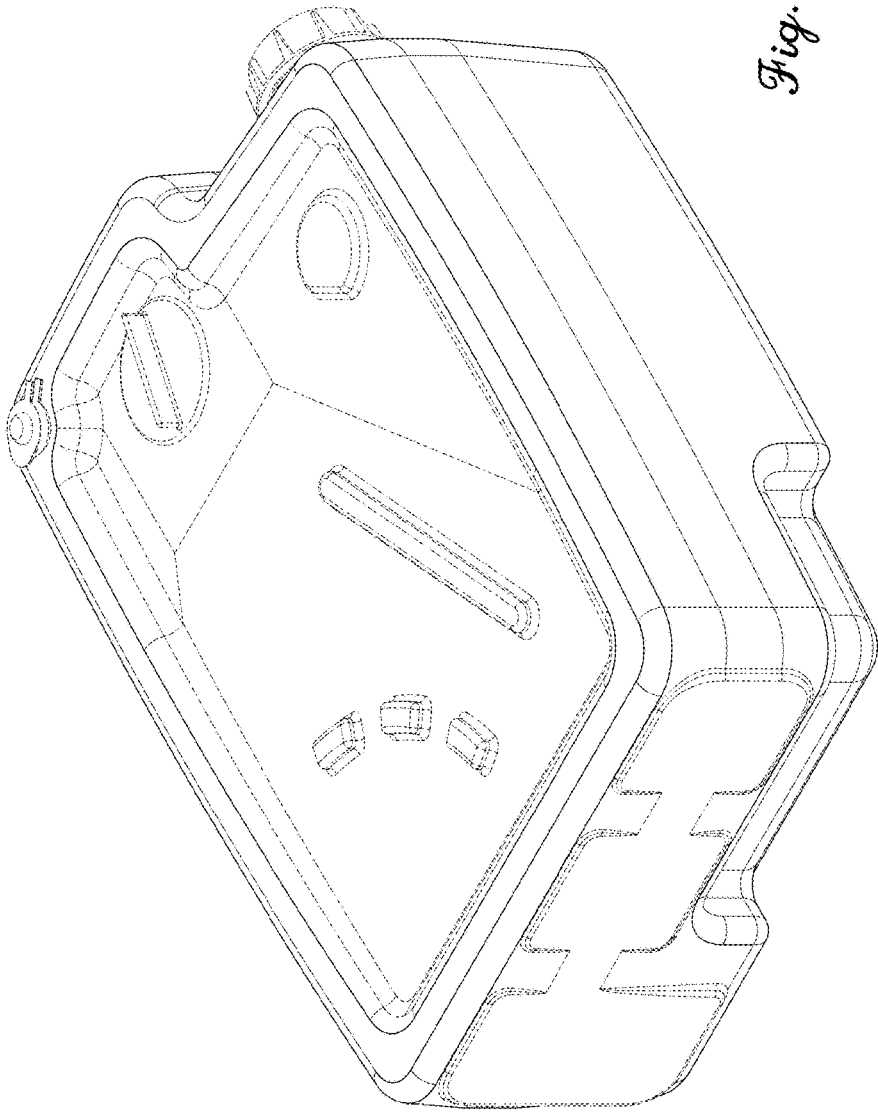


Fig. 1.

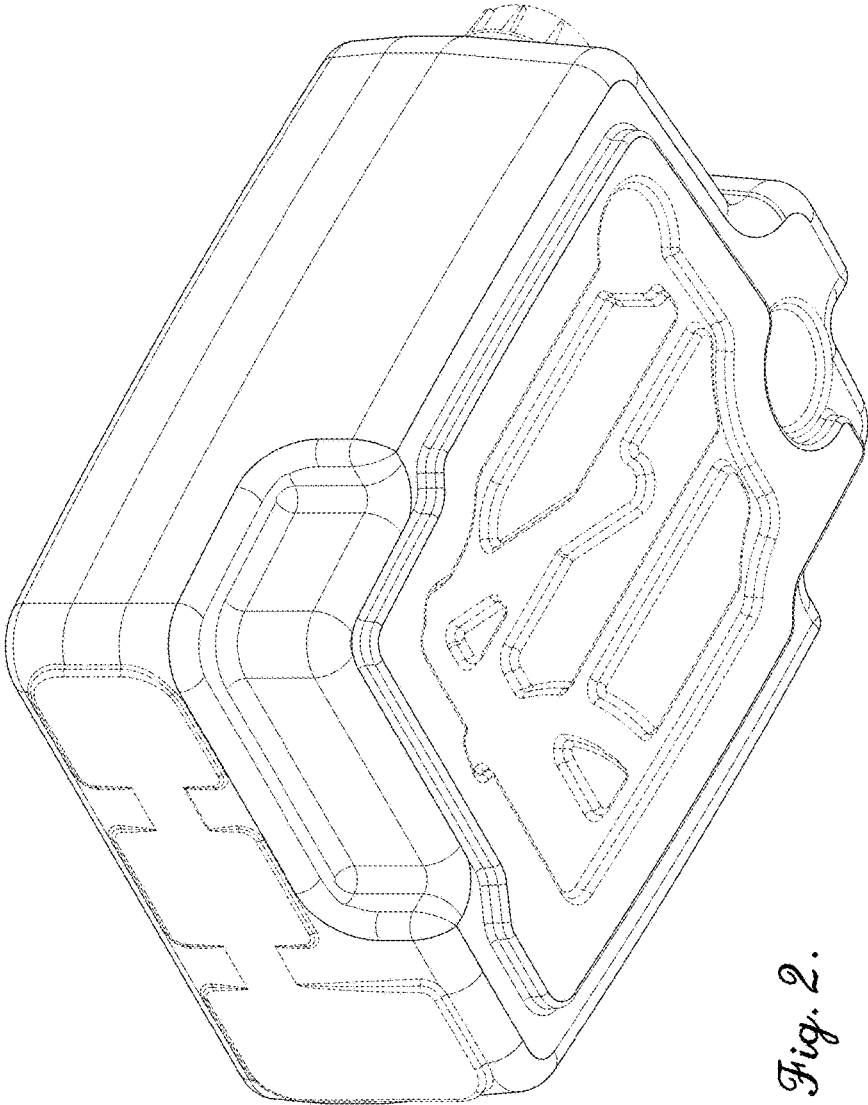


Fig. 2.

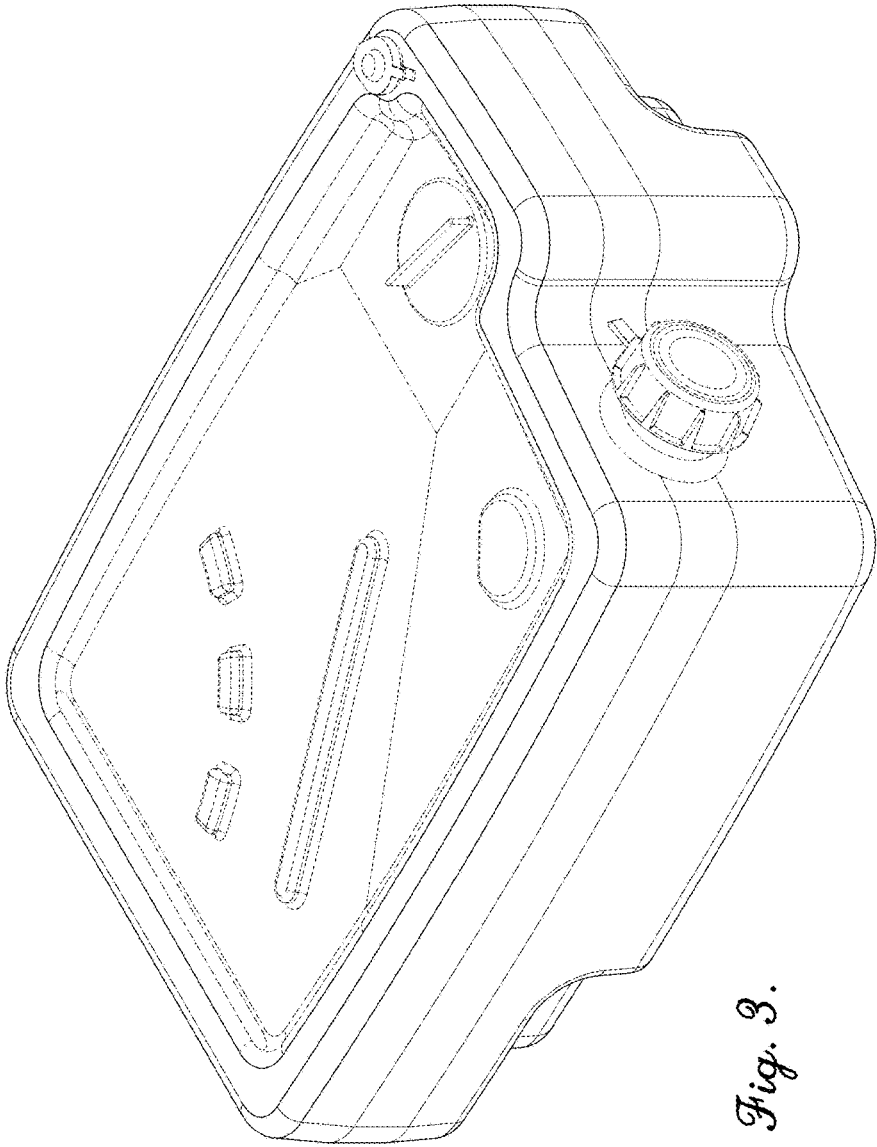


Fig. 3.

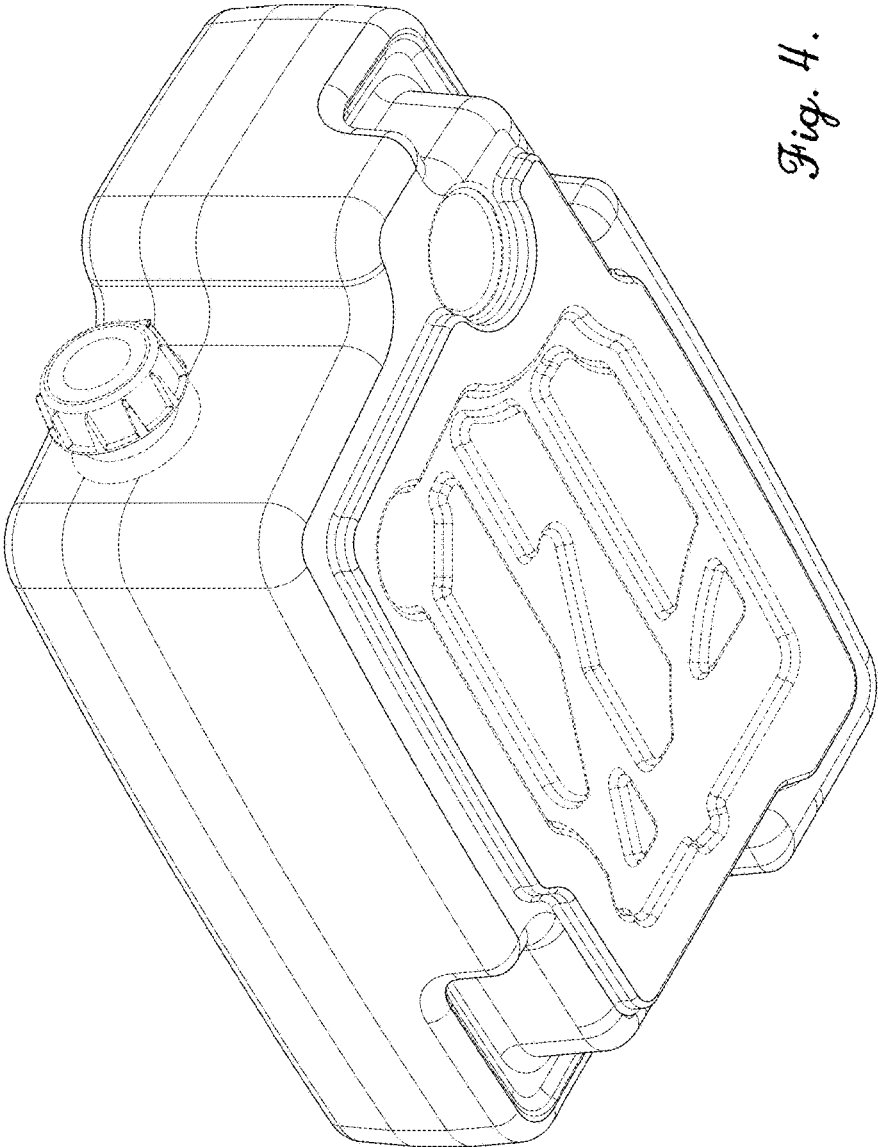


Fig. 4.

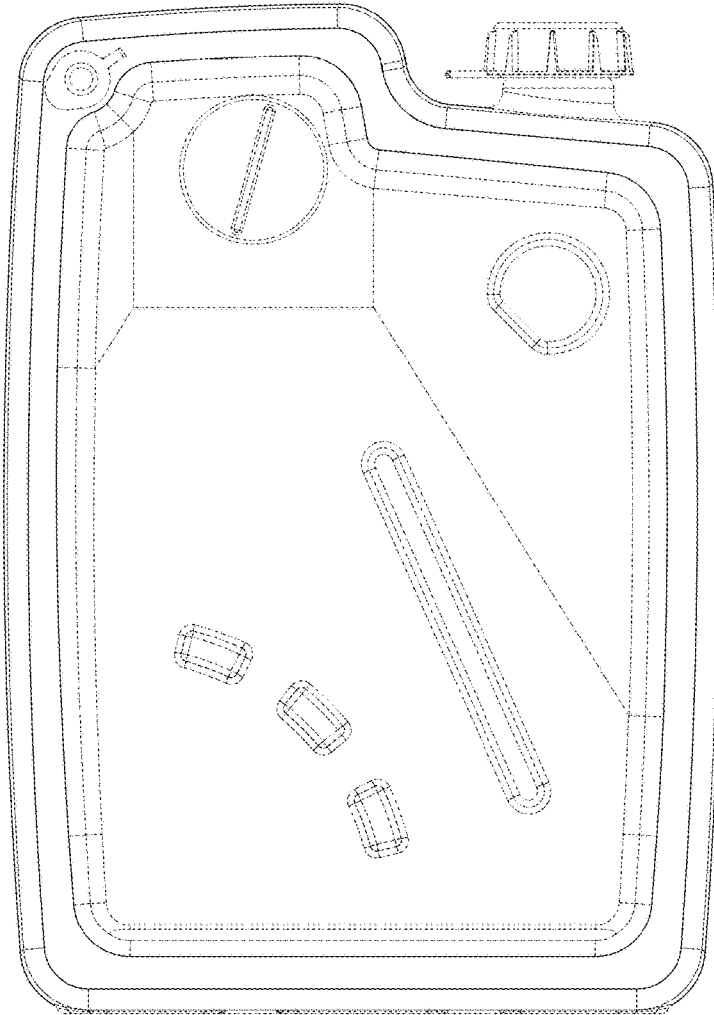


Fig. 5.

Fig. 6.

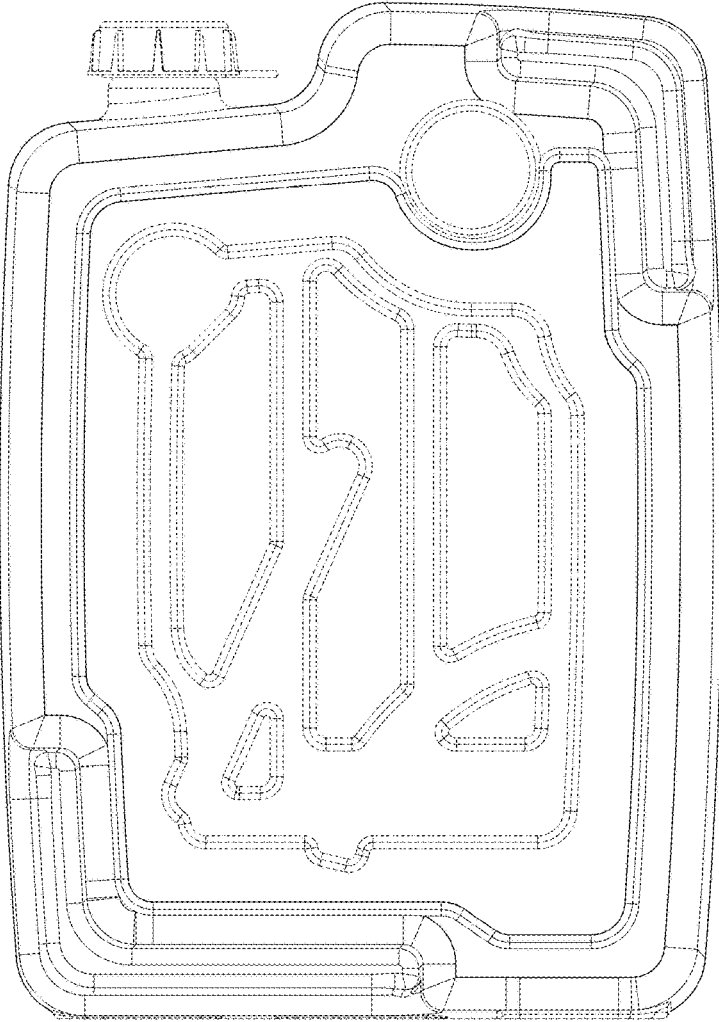


Fig. 7.

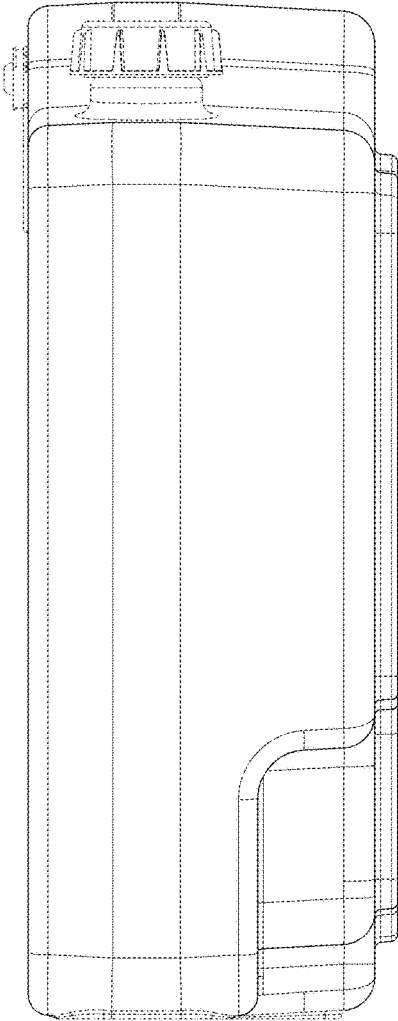


Fig. 8.

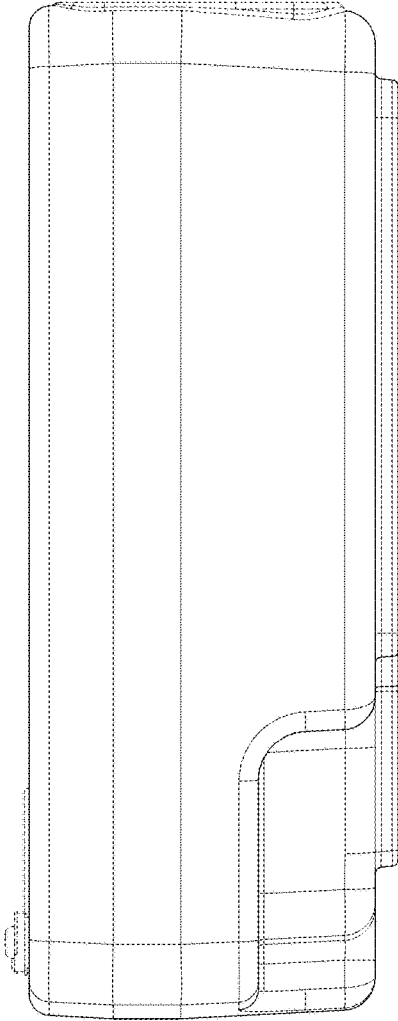


Fig. 9.

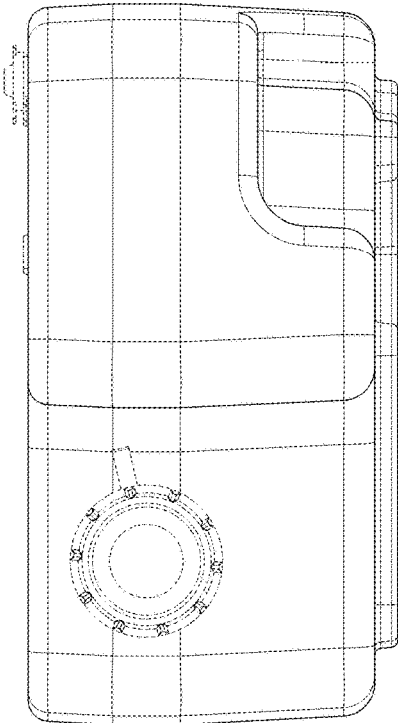


Fig. 10.

