



(11) (21) (C) **2,185,138**  
(86) 1995/03/29  
(87) 1995/10/05  
(45) 2001/01/23

(72) Hill, Alan Michael, GB

(73) BRITISH TELECOMMUNICATIONS PUBLIC LIMITED COMPANY,  
GB

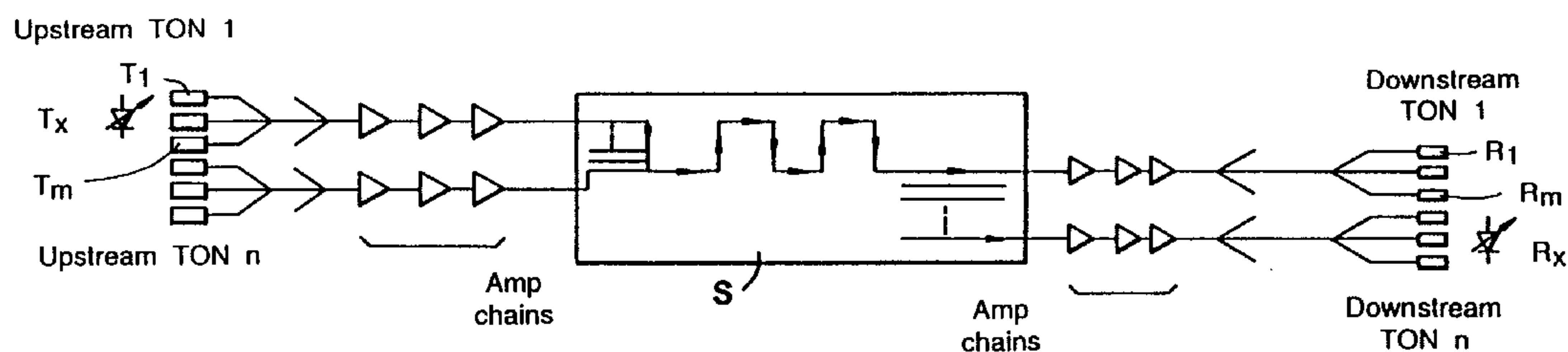
(51) Int.Cl.<sup>6</sup> H04B 10/20, H04L 12/46

(30) 1994/03/29 (9406265.0) GB

(30) 1994/06/29 (9413081.2) GB

(54) RESEAU OPTIQUE DE TELECOMMUNICATIONS

(54) OPTICAL TELECOMMUNICATIONS NETWORK



(57) Un réseau optique de télécommunications comprend plusieurs réseaux optiques passifs transparents (TON). Chaque TON raccorde un groupe respectif de terminaux et la tête de réseau de chaque TON est raccordée à un noeud de commutation central commun. Chaque terminal comprend des moyens de sélection d'un canal de longueur d'ondes/temps servant à effectuer un raccordement avec un autre terminal à l'intérieur du TON respectif ou à l'intérieur d'un autre TON. Le noeud de commutation central comprend un commutateur optique spatial/longueur d'ondes conçu pour effectuer des raccordements commutés entre des abonnés raccordés à différents TON.

(57) An optical telecommunication system includes a number of transparent passive optical networks (TONs). Each TON connects a respective group of terminals and the head end of each TON is connected to a common central switching node. Each terminal includes means for selecting a wavelength/time channel for forming a connection with another terminal within the respective TON or within another TON. The central switching node comprises an optical spatial/wavelength switch arranged to provide switched connections between subscribers connected to different TONs.

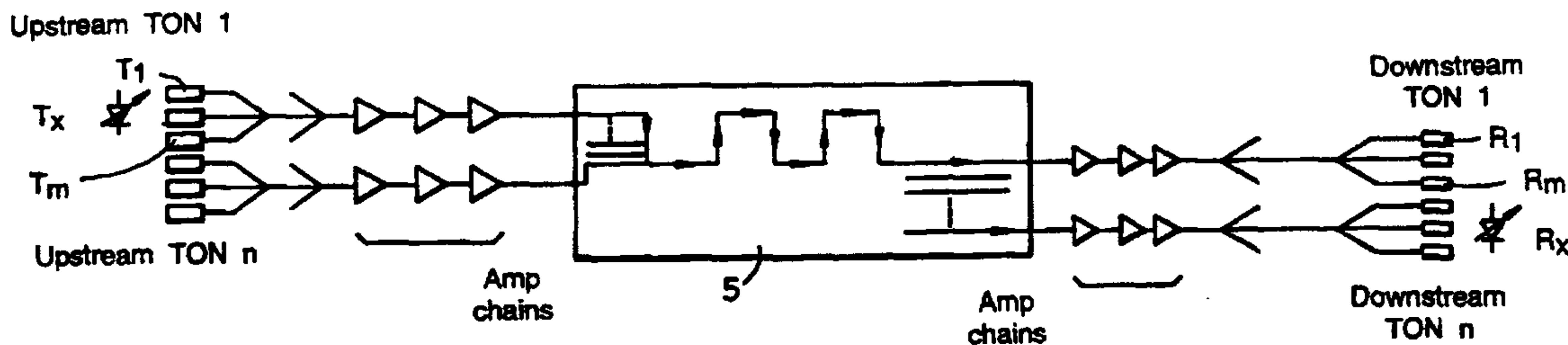


INTERNATIONAL APPLICATION PUBLISHED UNDER THE PATENT COOPERATION TREATY (PCT)

<p>(51) International Patent Classification <sup>6</sup> : <b>H04Q 11/00</b></p>	<p><b>A3</b></p>	<p>(11) International Publication Number: <b>WO 95/26592</b> (43) International Publication Date: 5 October 1995 (05.10.95)</p>
--	------------------	---

<p>(21) International Application Number: PCT/GB95/00726 (22) International Filing Date: 29 March 1995 (29.03.95) (30) Priority Data: 9406265.0 29 March 1994 (29.03.94) GB 9413081.2 29 June 1994 (29.06.94) GB (71) Applicant (for all designated States except US): BRITISH TELECOMMUNICATIONS PUBLIC LIMITED COMPANY [GB/GB]; 81 Newgate Street, London EC1A 7AJ (GB). (72) Inventor; and (75) Inventor/Applicant (for US only): HILL, Alan, Michael [GB/GB]; The Old Police House, Park Road, Grundisburgh, Woodbridge, Suffolk IP13 6TP (GB). (74) Agent: GILL JENNINGS &amp; EVERY; Broadgate House, 7 Eldon Street, London EC2M 7LH (GB).</p>	<p>(81) Designated States: AU, CA, CN, JP, KR, NZ, US, European patent (AT, BE, CH, DE, DK, ES, FR, GB, GR, IE, IT, LU, MC, NL, PT, SE). <b>Published</b> <i>With international search report. Before the expiration of the time limit for amending the claims and to be republished in the event of the receipt of amendments.</i> (88) Date of publication of the international search report: 9 November 1995 (09.11.95)</p> <p style="text-align: center; font-size: 2em;"><b>2185138</b></p>
---	---

(54) Title: OPTICAL TELECOMMUNICATIONS NETWORK



(57) Abstract

An optical telecommunication system includes a number of transparent passive optical networks (TONs). Each TON connects a respective group of terminals and the head end of each TON is connected to a common central switching node. Each terminal includes means for selecting a wavelength/time channel for forming a connection with another terminal within the respective TON or within another TON. The central switching node comprises an optical spatial/wavelength switch arranged to provide switched connections between subscribers connected to different TONs.

2185138

1

OPTICAL TELECOMMUNICATIONS NETWORKBACKGROUND TO THE INVENTION

5 The present invention relates to an optical telecommunications network and to switching structures suitable for use in such a network.

10 Optical transmission systems potentially offer a basis for telecommunications networks of very high capacity. It is envisaged that this capacity will be used to provide connections for large numbers of systems to high bandwidth services such as high bit rate data communications, video on demand VoD or video telephony. However, in practice when it comes to realising such a high capacity network, the design of appropriate switching technologies is found to be a major constraint on the performance of the network. 15 With current technologies, the switching structures are electronic (e.g. ATM switches) and are therefore limited to capacities considerably lower than those which can be achieved in the optical domain. Control and management of the switching function also provides further difficulties and there is a need to minimise software costs for call processing, network intelligence, network management and service management. 20

25 In order to minimise the use of active switches and the associated constraints discussed above, it has been proposed to use passive optical networks PONs. However hitherto, such PONs have been used for multiplexing and consolidation of access traffic to a local switch node with customer to customer connections still being provided by switching centrally at the nodes. 30

SUMMARY OF THE INVENTION

35 According to a first aspect of the present invention there is provided an optical telecommunications system comprising a plurality of transparent passive optical networks (TONs) each providing connections to a plurality of terminals, and the head-ends of the TONs being connected

2185138

2

to a common central switching node, characterised in that each terminal including means for selecting a wavelength channel, for forming a connection with another subscriber station within the respective TON, or within another of the plurality TONs and in that the central switching node comprising an optical spatial/wavelength switch arranged to provide connections between subscribers connected to different TONs.

The present invention uses amplified PONs (Transparent PONs or 'TONs') to provide a network with sufficient capacity for distributed switching to be carried out. Wavelength channels and, preferably, time slots are allotted dynamically to individual customer-customer connections. The use of time slots is preferred, but may be dispensed with where a network is operating at relatively low capacity. This distributed switching function combined with spatial cross-switching at a node connecting a plurality of TONs provides a system capable of covering an entire regional or national area.

Preferably the switch is a time- and wavelength-shared rearrangeable space switch, more preferably comprising a plurality of stages connected to an optical bus. A rearrangeable switch is one which does not inherently provide fully non-blocking cross-connection, but which functions as a non-blocking switch by re-assigning e.g. space or wavelength channels to on-going connections when necessary.

Preferably each of the plurality of stages includes an array of 2 x 2 optical changeover switches. Preferably said array of changeover switches is provided by a spatial light modulator SLM array arranged between a wavelength demultiplexer and a wavelength multiplexer and coupler/splitters. In embodiments of this aspect of the invention switching is performed in a distributed manner, with customer terminals dynamically allocated their transmitter and receiver wavelength channels and time-slots, under centralised processor control. A pair of

sending and receiving customer terminals are allocated a common wavelength and time-slot for the duration of their connection. Such distributed channel allocation is used in combination with a central switch node, to connect the appropriate spatial fibres at the correct time and wavelength. The switch node employs spatial light modulators, in such a way that many wavelength channels can be simultaneously selected and routed to desired output ports. A further embodiment uses the SLMs in a MONET-like structure configured as a time-and wavelength-shared multi-stage rearrangeable space switch. The combination of customer or terminal wavelength and time-slot agility, with spatial light modulators in a MONET bus architecture, produces a very high capacity switched network that can be constructed with relatively little switching hardware. The multi-stage rearrangeable switching network structure reduces the required switching hardware even further.

According to a second aspect of the present invention there is provided an optical telecommunications system comprising a plurality of TONs, each TON connecting a plurality of terminals characterised in that each terminal includes means for selecting a wavelength channel to establish a connection with a selected other of the terminals and in that the plurality of TONs are connected at their head-ends to a common passive routing node.

Preferably each terminal includes means for selecting a time slot which in combination with the selected wavelength defines a channel for the connection.

The second aspect of the present invention eliminates active switching nodes entirely from the network and relies upon a passive routing node for connections between different TONs.

Preferably the passive node comprises a wavelength multiplexer arranged to cross-connect the plurality of TONs connected to it. Preferably at least some of the ports of the node are connected to a respective set of wavelength converters, a signal on an incoming wavelength from a TON

directed to one of the said ports being converted to a different wavelength and coupled back to the same TON.

Using a simple passive wavelength multiplexer, there is only one wavelength on which each TON could output a signal which could be routed back to the same TON. However, typically with telephony traffic, perhaps 30-70% of the traffic from an individual TON may wish to remain within the same geographical area and so will need routing back to the same TON. This aspect of the present invention overcomes this problem by the use of dummy ports which for routing within a TON, may include a mirror to reflect back a signal to the TON. Others of the dummy ports include wavelength converters for routing to other TONs of a signal from one TON. Wavelength conversion may be achieved by the use of wavelength converters in the form of advanced all-optical devices, or simply by using the equivalent of a customer terminal to select a wavelength channel, optoelectronically convert the signal, and re-transmit the signal at a new wavelength.

The preferred embodiment of this aspect applies the wavelength-routing technique to the traffic requirements between any pair of PONs. It does so with the use of a passive wavelength-routing node (PWRN), in the form of a simple wavelength-division-multiplexer. This device possesses  $N \times N$  connectivity, in that each PON can be connected simultaneously to all other PONs at  $N$  different wavelengths. Because there is only one wavelength available between any given pair of ports, a set of dummy ports is required, to couple more than one wavelength simultaneously between them. Two types of dummy port are possible. To couple multiple wavelengths between the same port (i.e. traffic remaining within the same PON), dummy ports need only provide a simple reflection in the form of a mirror. To couple multiple wavelengths between different ports (i.e. for traffic between on PON and another), dummy ports must have the ability to convert incoming wavelengths to different outgoing wavelengths. This could be in the

form of advanced wavelength converters, or simply by using receivers, electrical regeneration and tunable transmitters like the main PON ports. The mirrors provide a form of switch-node by-pass for traffic remaining within a PON, a  
5 avoiding the need for wavelength conversion. Although this structure is topologically equivalent to a three-stage, wavelength/wavelength/wavelength switch architecture, the use of a single wavelength-division-multiplexer greatly reduces the number of waveguide interconnections that would  
10 be needed in that equivalent architecture. It also reduces greatly the total number of multiplexer ports required, because the three stages of multiplexers are effectively incorporated all in one multiplexing device. These reductions offer substantial cost savings. Furthermore, by  
15 carrying out wavelength conversions associated only with PON-PON traffic levels exceeding one wavelength's capacity, and by using mirrored ports for traffic remaining within a PON, it should be possible to reduce greatly the number of wavelength conversions required, according to the traffic  
20 statistics.

In a conventional, three-stage, wavelength/wavelength/wavelength architecture, the wavelength converters may have to convert different upstream wavelengths from different upstream PONs to the same  
25 wavelength. That is, pulse streams must be interleaved from different upstream PONs. This produces additional technical difficulties; ranging between different PONs and additional computations for channel allocation. The invention avoids or reduces the need for these additional  
30 tasks, by allowing direct connections between upstream and downstream PONs for small capacities up to one wavelength's worth. With relatively large numbers of PON ports, the traffic levels between specific pairs of different PONs may be relatively small, possibly not exceeding the capacity of  
35 a single wavelength channel, and this can be handles without the need for wavelength conversion.

The present invention also encompasses methods of operating systems in accordance with the first and second aspects.

#### DESCRIPTION OF THE DRAWINGS

5 Examples of systems embodying the different aspects of the present invention will now be described in further detail, by way of example only, with reference to the accompanying drawings in which:-

10 Figure 1 is a graph illustrating PON capacity and split as a function of the number of wavelength channels;

Figure 2 is a schematic of a time and wavelength-shared space switch;

15 Figure 3 is a schematic of a broadband national network employing a single sided passive wavelength routing node;

Figure 4 is graph showing the total number of multiplexer ports as a function of the operational bit-rate and the network of Figure 3;

20 Figure 5 shows a wavelength multiplexer for use in the wavelength routing node of Figure 3;

Figure 6 shows a national optical network incorporating the switch of Figure 2;

Figure 7 shows an alternative network configuration;

25 Figure 8 is a schematic illustrating structures for control and signalling in a terminal and at a central switch;

Figure 9 shows a suitable switch network employing wavelength routing between terminals through a two-sided passive wavelength routing node;

30 Figures 10a and 10b illustrate designs for gating wavelength channels to increase the PON split; and

Figures 11a to 11c are schematics of systems employing different degrees of integration of wavelength demultiplexing, gating and re-multiplexing.

#### 35 DESCRIPTION OF EXAMPLES

An optical telecommunication system comprises a plurality of transparent passive optical networks TON1,

TON2 .....TONn (Figure 6). The TONs are connected at their downstream ends to a plurality of terminals, each terminal including a transmit stage  $T_1...T_m$  arranged to select a time and wavelength slot for outgoing signals, and  
5 a receive stage  $R_1...R_m$  arranged to receive signals in a time and wavelength slot characteristic of the particular customer terminal. At their upstream ends the TONs are connected in common to a space switch S.

The terminals may be located at customer premises, or  
10 may be employed at an intermediate network station higher up in the network where customer traffic has already been aggregated and multiplexed. For example the terminal may be located at the head end or at street-cabinet locations of a narrow band or broad band PON system. In either case,  
15 the terminal includes in its transmit stage  $T_1...T_n$  a tunable wavelength source. In this example, the source is a tunable laser which may be, for example, a tunable DBR (distributed Bragg reflector) or a grating-assisted vertical coupler device. Alternatively, the tunable source  
20 may be in the form of an amplifier and modulator such as that demonstrated in the RACE II "MUNDI" project (D.J. Pratt et al "Tunable Source Options for Race-2070 Project (Mundi)" cost 240 workshop, Marcoussis, France 25th October 1993). This design uses a mechanically tunable optical  
25 filter and semiconductor amplifier/modulator to select a required wavelength channel from a comb of reference wavelengths broadcast from a central location to a large number of customer terminals. This approach relaxes the tuning accuracy required at the terminal. For multi-point  
30 connections, an electrically tunable device is preferable to provide fast tuning between wavelengths.

Each terminal is allocated time-slots and wavelength channels under the control of one or more central processors. The same central processor controls the  
35 settings in the central space switch. Apart from the possible use of buffer memories in the terminals, there are no memory elements in the optical switch node. Therefore,

the time switching of wavelength channels and SLM pixels in the switch must be performed as a circuit-switched operation, using conventional path set-up algorithms for circuit switching in multi-stage switching networks such as  
5 Clos networks and permutation networks using a central control processor. Although computation of such algorithms can not be distributed out to the PONs, because of the long time delays that would be incurred in what are essentially  
10 time-sequential call set-up algorithms, distributed processing between multiple processors can nonetheless be employed at or close to the switch node.

Control signals between the terminals and the central switch node are transported over signalling channels. These may be provided in several possible ways. For  
15 example, a sub-set of the time and wavelength channels could be allocated to signalling. Figure 8 shows a terminal configured to function in this fashion. The terminals tunable transmitter 81 and receiver 82 are controlled by a processor 83 which communicates with the  
20 central processor 84 associated with the switch node by multiplexing signalling traffic with the customer signal data over the optical channels, and selects time and wavelength channels for a connection accordingly.

A major issue is the disparity and variability of  
25 pulse propagation times in such an all-optical end-to-end network. Because there is no intermediate electronic re-timing between the terminal, spectral dispersion and thermal effects in the fibre can cause large variations. Maximum summer-winter variations in propagation delay in  
30 the UK could be as large as 5 microsec over a 1,000 km fibre link. But thermal variations occur relatively slowly, because fibres are buried underground. Ranging protocols should therefore be capable of dealing with thermal variations of propagation delay. Spectral  
35 dispersion is more difficult to deal with. For example, the range of propagation times across the 30 nm spectral width of the erbium amplifier could be just 25.5 nsec for

a 50 km end-to-end connection via the switch node. But for customers 1,000 km apart, the variation would be 0.5 microsec. For a point-to-point connection between terminals, which involves no other terminals for the duration of the connection, such variations could be acceptably accommodated by using variable delay lines at the terminals (i.e. using ranging protocols again). But for a multi-point connection "simultaneously" involving more than one terminal, changes of wavelength between time slots would require delay-line variation, which could cause blocking problems by preventing access to certain time-slots. It may be preferable therefore, for synchronisation purposes, to employ long time slots and long guard-bands between them, say of the order of 1 microsec. This would need buffer memories at the terminals, to clock out stored data in "bursts", i.e. in packets or cells. ATM cells would be feasible, but with additional time guard-bands between the cells, resulting in a modified ATM structure. This may also result in higher bit-rates to compensate for reduced transmission efficiency due to the guard-bands. To accommodate variations in pulse arrival times at different wavelengths or from different TONs, the terminals must employ burst-mode receivers. These will require additional synchronisation bits at the start of each packet or cell, which would also modify a basic ATM structure. (NB ATM is only a useful basis for cell format. Its asynchronous nature cannot be used as a mode of switching, because the lack of memory elements in the optical path requires circuit switching to be employed). All terminals and the central switch must have their time-slots sufficiently well synchronised. But with time slots perhaps lasting a few microsecs, this could also be relatively "sloppy", perhaps even to the same order of around 1 microsec (which would also add to the length of the time slot).

The central space switch is a time-and wavelength-shared switch. Every optical waveguide or bus contains a set of wavelengths with time-shared traffic from customers

2185138

10

in the upstream TONs. A central processor or processors control the allocation of time slots, wavelength channels, and the spatial paths through the switch. The switch is optically transparent. The switching elements are spatial light modulator pixels (on-off gates or shutters). Suitable technologies may be MQW semi-conductor optoelectronic modulators, fast liquid crystals (yet to be demonstrated at suitable speeds), PLZT, electro-optic and magneto-optic materials, etc. Some technologies are better employed in reflection rather than transmission, as shown. This would simply result in a folded geometry, instead of the in-line imaging and dispersion optics shown in the diagram. The diagram shows a switch architecture that requires the smallest possible amount of hardware, by employing a multi-stage, rearrangeable network structure (permutation network), such as those of Waksman (A. Waksman, "A permutation network", J. Assoc. Computing Machinery vol. 15, 159-163 (1968)), Goldstein and Leibholz (L J Goldstein and S W Leibholz, "On the synthesis of signal switching networks with transient blocking," IEEE Trans. Electron. Comput. vol. EC-16, 637-641 (1967), using 2 x 2 optical crosspoints as the switching elements. Other, less hardware-efficient structures could be employed. Every stage of switching uses its own optical imaging and dispersion system. These separate out the wavelength channels from each input waveguide or bus, using diffraction gratings, and switch a given wavelength from two input waveguides to two output waveguides (i.e. a 2 x 2 changeover switch). The 2 x 2 element is achieved by using 4 shutters in the SLM, in combination with bulk-optic splitters and couplers (fabricated holographically or by e-beam after computer generation of the required grating structure, or suitably replicated from such a master). The splitter provides two copies of each input waveguide at each wavelength, the shutters select which output waveguide is to receive the light, and the coupler allows light from either of two inputs to couple to an output waveguide or

bus. Wavelength channels are also re-multiplexed using a diffraction grating. The output waveguides or buses then carry the remultiplexed wavelength channels to the next stage of switching.

5           The maximum possible split for each TON is limited primarily by the upstream capacity. A very large customer base can be served in the downstream direction. The possibility of broadcasting downstream from a single head-end to tens of millions of customers has been demonstrated  
10 over 5-7km [2]. The experiment demonstrated the ability to deliver 40 Gbit/s capacity shared between 16 wavelength channels with 1nm channel spacing. This is sufficient for, e.g., 256 uncompressed video channels, or alternatively as many as 8000 channels compressed to about 5Mbit/s. In such  
15 a network, channel selection is carried out at the customer terminals using a combination of tuneable optical filters and electrical time-slot or ATM cell selection. With such capacities, a single CATV head-end can serve an entire nation. Computer models have shown that in principle,  
20 optical amplifiers with flattened wavelength response can support 400 or more wavelength channels across the erbium-doped fibre amplifier window, over 500km with operation at 2.5Gbit/s. The exact number depends on the amplifier spacing. This gives 1Tbit/s downstream capacity, suitable  
25 for at least 200,000 compressed video channels. Non-linear effects within the fibre may reduce this slightly to around 0.5 Tbit/s [6]. Such capacity within a single TON could be used in various ways. For example, it would be sufficient to provide a near-demand video library service by staggered  
30 yet simultaneous broadcasting of multiple copies of thousands of film titles. This can be provided from a single server providing national coverage with no switching being necessary. Another possibility with so many channels, assuming sufficiently low penetration and high  
35 concentration, would be the introduction of a nationwide VoD service from a single national server.

8812218

12

If the same capacity is used for telephony, then this corresponds to about 13 million telephony channels, sufficient to support the entire telephony traffic of the UK with relatively low levels of concentration. If the same number of channels could be supported in the upstream direction, then the entire telephony service could be provided over a single looped-back TON without any central switch node whatsoever. However, the capability of TONs to accumulate traffic upstream from a large number of customers is severely limited, and is unable to match the split achievable in the downstream direction.

#### Upstream TONs

As noted above, the split and capacity of upstream TONs has hitherto provided a barrier towards moving towards a switchless network. Optical amplifiers impose major differences between upstream and downstream TONs due to quantum processes within the amplifiers that generate amplified spontaneous emission. There is a maximum number of customer fibres that can be coupled together in upstream amplified PONs beyond which further coupling of amplifier outputs unacceptably degrades the S/N ratio due to beat-noise between a signal and the amplified spontaneous emission. This severely limits the number of customers from whom traffic can be aggregated (the upstream split) and the corresponding capacity that can be supported.

Figure 1 shows the achievable split and capacity for customers provided with a simultaneous average bit-rate of 4.8 Mbit/s - sufficient to support high-quality compressed video. With just one operating channel, the power budget is sufficient to combine 512 customers at an aggregate rate of 2.5 Gbit/s. But more customers may be supported if, the aggregate bit-rate is reduced. The larger split reduces the power budget. For example, at 155Mbit/s about 5,200 customer fibres can be combined. But to maintain the same calling rates and degrees of concentration, 160 wavelengths are needed to carry the additional capacity and to

2185138

13

compensate for the reduction in bit-rate. The total TON capacity is ~25Gbit/s at a bit-rate of 155Mbit/s on each wavelength.

5 In the limiting case, if the aggregate bit-rate exactly equals the customer bit-rate, and every customer connection is allocated its own wavelength (i.e. no electrical multiplexing is employed) the TON split can support 94000 customers at 4.8Mbit/s each, using the same number of wavelengths. Thus, while in this limiting case  
10 the upstream TON capacity can approach that of a downstream TON, the split cannot reach millions of customers (except possibly for very low narrow band telephony rates). However, it is not desirable to restrict all customers to a maximum bit-rate as low as 4.8Mbit/s, since statistical  
15 multiplexing of higher-speed traffic is then not possible. Furthermore, wavelength densities as high as 94,000 distinct wavelengths are difficult to achieve. A more practical compromise may be provided by bit-rates of 155Mbit/s and a 5,200-way split for the upstream TON.

20 From the above, it is clear that large capacities and splits can be obtained in upstream TONs through the use of high density wavelength division multiplexing (HDWDM) combined with relatively low operational bit-rates. The asymmetry between upstream and downstream TONs apparently  
25 provides a bar to fully distributed switching. The system illustrated in the Figures however is able to overcome this limitation by linking together a number of TONs at a common switching node which provides cross-switching to complement the wavelength and time switching functions distributed  
30 amongst the customer terminals.

At an operational bit-rate of 300 Mbits, using 208 x 208 pixel SLM's, the switch shown in Figure 2, in combination with dynamic allocation of time and wavelength channels at customer terminals connected to the switch over  
35 TONs, and the assumptions of Figure 1, is potentially capable of providing about 13 Tbit/s switched throughput. Each TON could serve up to around 2,900 customers,

providing up to 611,00 customers on the network, each with about 21 Mbit/s continuous bit-rate.

5 The customer base could in fact be extended potentially to an entire nation using two different approaches. The first would be to use the terminals, containing the tunable transmitters and tunable receivers, as intermediate network stations, interfacing between multiplexed customer signals and the time-and wavelength-agile optical TON system. The customer side of the station  
10 could itself be a PON with electrical conversion at its head-end, or individual fibres to each customer, or even electrical cable to each customer (co-axial cable or copper or aluminium pairs). They would allocate time-slots and wavelength channels to aggregated customers' traffic. This could be achieved with different degrees of flexibility. With electronic switches and delay lines (e.g. shift registers) in the stations, the full channel allocation flexibility would be available. The second approach to  
15 extending the customer base would be to increase the split size of the TONs. A method of achieving this is disclosed in our Canadian Patent Application No. 2,214,651 "Optical Network," filed on March 22, 1996. This makes use of optical gates (on-off switches) to turn off the amplified spontaneous emission from an upstream PON amplifier, when  
20 there is no signal present during a time slot. In this way the outputs of several optical amplifiers can be coupled together, to make a larger PON, without degrading the signal-to-noise ratio. In this way, a given PON capacity can be shared between more customers. Of course the  
25 optical gates must be synchronised with the time slots. This basic method must be extended in the case of PON supporting WDM and dynamic wavelength allocation, so that gating is applied to every wavelength channel in every upstream PON subsequently to be coupled together. Two  
30 designs for gating the wavelengths are shown in Figure 1. They differ by the order in which combining of PONs (coupling) and wavelength re-multiplexing are performed.  
35

2185138

15

Figure 11 shows several multiplexer designs for use in Figure 10 b), in which the demultiplexing, re-multiplexing and gating functions could be integrated by varying degrees. They all work by using two passes through the same dispersive optical system, either through the use of reflection back along the same optical path, or, as in Figure 11 c), by using two waveguide (e.g. fibre) arrays with the optical switches connected between pairs of input and output ports. Design b) is essentially the same as that disclosed in UK patent GB 2,152,317 B. Designs a and b could be planar-integrated in III-V semiconductor optoelectronics, possibly using either a curved grating "spectrograph" or a "phasor" structure with semiconductor optical amplifier gates (possibly in array form on the substrate). Alternatively, bulk optics could provide the dispersion and imaging with opto-electronic semiconductor amplifiers/gates integrated in array form on one or more substrates.

By expanding the customer base 43-fold in this particular example, using either of the above approaches, an upstream PON can collect traffic from about 126,000 customers. Such a large customer base now allows the entire broadband traffic between, for example, 26,000,000 customers to be interconnected within a single switch node. This approach to increasing the split may also be used with a "switchless" network, such as that of Figure 7.

The design for the space switch is based upon a back plane structure developed from the MONET configuration disclosed in reference [3]. Spatial light modulators SLMs are used as the switching devices. The switch functions as a time- and wavelength-shared multi-stage rearrangeable space switch, in which each spatial light modulator array represents a stage of 2x2 optical switches. The relevant switch parameters are set out in table 1. The switch requires only 15 spatial light modulators to provide simultaneous connections between 2,600,000 customers at 5Mbit/s each (i.e. 10:1 concentration). The total

throughput is then 13Tbit/s. This is equivalent in capacity to perhaps 120 ATM switches, each of 160Gbit/s throughput, using conventional structures for transport over the core network, and assuming that around 50% of the traffic from a node may wish to be connected to other nodes. The switching task is distributed across the entire network and is shared between the central node and the customer terminals. The entire network then operates as a single switch.

It will be understood that the numerical values quoted in the above paragraph are by way of example only, and that other combinations of numbers of wavelength channels, time-slots, waveguide buses, power budget and customer base are possible.

In a second embodiment shown in Figure 3, active switching is eliminated entirely from the network, with routing being carried out solely on the basis of wavelength and time-channel selection by the customer terminals or intermediate network stations. The node in this network connecting the different TONs is a passive wavelength-division multiplexing device.

The following analysis is in terms of the single-sided routing node of Figure 3. The number of TON ports on the multiplexer,  $n$ , depends on the total network customer base,  $N$ , and the upstream split  $m$  of each TON. This in turn depends on the aggregate bit-rate of operation,  $B$ , of each wavelength channel. The number of wavelengths needed to connect from any TON to any other is  $n$ , the number of ports. This number of wavelength channels is needed to route any level of traffic, no matter how small, simultaneously to all of the TONs. But there are two further criteria which must also be met. Firstly, a proportion of the traffic from an individual TON will wish to remain within the same geographical area. This may be 30-70% in a telephony network. But there is only one wavelength that can couple back to the same fibre within the multiplexer, which is nowhere near enough to retain

such a high proportion of traffic. A set of dummy ports is added to the multiplexer. Each additional port may be used to provide an additional wavelength from a TON back to itself using a simple reflection. Secondary, further dummy ports may also be used to provide the same function between different TONs, to provide instant reconfiguration of capacity between TONs, with small increments of traffic. In this case, dummy ports convert from an incoming wavelength from a TON to a different output wavelength. This conversion allows as many wavelength channels as required to be coupled back to the same TON, each via a different dummy port. Wavelength conversion could be achieved by the use of wavelength converters, in the form of advanced all-optical devices. Suitable devices include a saturable absorber in combination with a DFB laser (which may be tunable) or with a multiple grating-cavity laser array, or a semiconductor optical amplifier (SOA) arranged to provide four-wave mixing (FWM) or simply by using the equivalent of a customer terminal to select a wavelength channel, opto-electronically convert the signal, and re-transmit at a new wavelength. Additional ports would be statistically shared across the entire network, to minimise the number of wavelength conversions required.

Table 2 shows the number of ports required on the multiplexer for  $N=20,000,000$  customers, using the previous results for upstream TON split  $m$ , as a function of the operational bit-rate  $B$ . The number of dummy ports is given by

$$d = \frac{pmb}{B}$$

(1)

where  $b$  is an assumed 4.8 Mbit/s customer bit-rate, likely to be sufficient for high-quality compressed video.  $p$  is the total proportion of traffic at this bit-rate that either wishes to remain within the TON, or to be coupled to one other TON and is taken as 50%. There is no concentration assumed at this bit-rate. With these

extremely generous traffic assumptions, there is evidently a minimum number of multiplexer ports of 2,142 at an optimum operational bit-rate of 50 Mbit/s (see Figure 4). This corresponds to an upstream split of 13,430 customers. Thus each upstream TON port must support a minimum of 2,142 different wavelength channels.

Also shown in Table 2 is the corresponding total network capacity; 160 Tbit/s at 50Mbit/s operational bit-rate. Operation at higher bit-rate would be desirable, particularly to satisfy the higher-speed data requirements of business customers. It would also provide even greater potential network capacities for greater degrees of future-proofing. If non-linearities and noise accumulation were to allow operation at 155 Mbit/s, a formidable 2,351 Tbit/s would be available for long-term capacity growth (i.e. 20,000,000 customers each with 118 Mbit/s simultaneous capacity). But further studies are needed to determine the maximum operational bit-rate that could be supported transparently across the network, with so many wavelength channels. If the method for increasing TON split size described earlier i.e. the use of gating in each wavelength channel used in combination with a passive wavelength-routing node, it is possible to achieve a given net capacity (switched through put) with fewer wavelength channels and fewer PWRN ports.

The passive wavelength multiplexer performing the wavelength routing function between transparent optical networks is in principle a very simple device (see Figure 5). It must be larger than existing grating-based wavelength-division-multiplexers, which have been constructed with channel spacings around 1nm [7], but would be similar to commercial optical spectrographs and monochromators found in any physics laboratory. It could consist of a curved mirror (e.g. parabolic or spherical) or a lens, diffraction grating and a linear array of fibres and partially collimating microlenses. The array of fibres

2185138

19

and microlenses could alternatively be a waveguide array using planar, e.g. silica on silicon, technology

5 An  $n \times n$  device might use two arrays of monomode fibres of  $n$  fibres each, where  $n$ , for example, may be equal to 32. Each array is produced, e.g., by fixing the fibres into corresponding V-shaped grooves which are etched into silicon through an electron beam written mask. The silicon grooves may have a pitch, for example, of 128 microns. Each array of fibres is terminated by a microlens array.

10 This is fabricated by patterning a layer of photoresist formed on the glass substrate into cylindrical islands. The substrate is subsequently heated causing the photoresist cylinders to melt and form spherical surfaces under surface tension. This array is then aligned and

15 bonded to the front face of the fibre array. A silica tube may be used to provide a low thermal expansions support for the fibre/microlens arrays and for the output lens.

Alternative designs of multiplexer may use a single spherical grating for both imaging and dispersion. The

20 grating may be written holographically.

The passive multiplexer device would be used in a far more powerful way than is conventionally employed for wavelength multiplexing. Instead of just combining light from a number of input fibres into a single output fibre (1

25  $x n$  connectivity), the device couples light from all input fibres to all other fibres ( $n \times n$  connectivity). Its capacity as a simple multiplexer is multiplied by the number of fibre ports. As already discussed this can lead to quite enormous throughput in a simple device.

30 However, the detailed optical design of the multiplexer is such as to provide high wavelength resolution. The coupling efficiency between waveguides need not be very efficient, since optical amplifiers can compensate for the losses. Furthermore, recent multiplexer

35 designs employing microlenses attached to the fibre ends ease the aberration requirements [7,8]. With only one device required for an entire national network, relatively

large resources could be spent on additional aberration-correcting optics, if necessary.

As an alternative to the use of a single wavelength multiplexing device, the function of a wavelength-routing node could be performed by interconnecting a set of smaller wavelength multiplexers, each with relaxed performance requirements.

Figure 9 shows a switch network employing wavelength routing between terminals through a two-sided passive wavelength routing node. The multiplexer is  $n \times n$  double-sided device which has in addition to main TON ports dummy ports of two types. Type a dummy ports provide additional wavelength channels to the same downstream TON as the upstream TON. Type b dummy ports provide additional wavelength channels to different downstream TONs from an upstream TON. Wavelength conversion may be affected either by tunable RXs and TXs or by wavelength conversion devices as discussed above.

Figures 10a and 10b show designs for gating every wavelength channel to obtain larger upstream PON splits. Figure 10a combines PONs at each wavelength before re-multiplexing and 10b re-multiplexes wavelengths before combining PONs. In Figure 11c (i) a first fibre array A1 in the plane of the paper is connected by looped-back connections to a second array A2 behind the array A1, that is to say parallel to but out of the plane of the paper in 11c (i). The rest of the device comprises a lens 1101 and a reflection diffraction grating 1102. 11c (ii) is an end view of the two arrays A1, A2 showing the cross-connection affected by the device. Figures 11a, b and c illustrate different possible degrees of integration of wavelength demultiplexing, gating and re-multiplexing.

No. of customers	26,000,000
No. of simultaneous 5 Mbit/s broadband connections (10:1 concentration)	2,600,000
Customer ONU bit-rate	300 Mbit/s
Time-sharing factor (eg no. of time slots)	60
No. of wavelengths	208
No. of buses	208
No. of space/wavelength channels	43,264
Shutter array size	208x208
No. of 3-D SLM optical switches	15

Table 1. Possible design parameters for a single 13 Tbit/s broadband switch for the UK, using 3-D spatial light modulators (SLM's) in a rearrangeable switching network structure. The capacity is equivalent to ~120 160 Gbit/s throughput ATM switches



**TABLE 3**SPECIFICATION FOR FIGURE 7 NETWORK

5	200x200 Port PWRN
	22 Dummy Ports
	10GHz Channel Spacing
	1,000-Way PON Split
10	178,00 Customers
	155 Mbit/s per Customer
	= 2.8 Tbit/s Guaranteed Switched Throughput
	= 28 Tbit/s Switched Throughput for Uniform Traffic

**TABLE 4**PARAMETERS FOR FIGURE 1

5	Customer bit-rate b=4.8 Mbit/sec 3.6dB loss per 2-way split
10	Parameters for n=1 2.488 Gbit/s rate 0 dBm launch power -34dBm amplifier 1/P 7 dB noise figure
15	2.1 dB for 3 km fibre 512-way split

REFERENCES

1. J R Stern et al, "A passive optical network for telephony," Proc. ECOC Sept. 1988, Brighton, England.
- 5 2. D S Forrester et al, "39.81 Gbit/s, 43.8 million-way WDM broadcast network with 527 km range," Electron. Letts., vol.27, no.22, 051-2052 (1991).
3. P Healey et al, "Photonic switching and interconnect for future network nodes," BT Technology Journal, vol.9,  
10 no.4, 19-29 (1991).
4. G R Hill et al, "A transport network layer based on optical network elements," J. Lightwave Technol., vol. 11, no.5/6, 667-679 (1993).
5. A R Chraplyvy, "Limitations on lightwave  
15 communications imposed by optical-fibre nonlinearities," J. Lightwave Technol, vol.,8, no.10, 1548-1557 (1990).
6. A R Chraplyvy and R W Tkach, "What is the actual capacity of single-mode fibres in amplified lightwave systems," IEEE Photonics Technology Letters, vol.5, no.6,  
20 666-668 (1993).
7. D R Wisely, "32 channel WDM multiplexer with 1nm channel spacing and 0.7nm bandwidth," Electron Letters, vol.27, no.6, 520-521 (1991).
8. G R Chamberlin and A M Hill, "Designs for high channel  
25 density single-mode wavelength-division-multiplexers," Proc. SPIE Conf. O-E/FIBRES '87, San Diego, Aug.1987.

## CLAIMS

1. An optical telecommunications system comprising
  - a) a plurality of transparent passive optical networks (TONs);
  - b) a plurality of terminals connected to each transparent passive optical network, each of the terminals including means for selecting a wavelength channel or a wavelength-and-time channel and thereby establishing a connection with a selected other one of the terminals;
  - c) a common passive routing node which is connected to the head ends of the plurality of transparent passive optical networks, the common passive routing node comprising:
    - (i) a wavelength multiplexer arranged to cross-connect the plurality of TONs which are connected to the routing node, wherein the common passive routing node further comprises:
      - (ii) at least one dummy port arranged to receive an optical signal output by the wavelength multiplexer, and including an optical path arranged to return an optical signal to the wavelength multiplexer, in use the routing node thereby coupling a plurality of different wavelength channels to a common destination TON from the same source TON.
2. A system according to claim 1, in which a dummy port is connected to a respective wavelength converter, and in which a signal on an incoming wavelength from a TON directed to the said dummy port is converted to a different wavelength and coupled to a different TON.

3. A system according to claim 1 or 2, in which a dummy port of the routing node is a reflecting port for coupling incoming light from a TON back to the same TON.

4. A system according to claim 2, in which the multiplexer is a double-sided device and the dummy port is an output port which is connected to the respective wavelength converter and which is connected back via the said optical path to another input port of the multiplexer.

5. A system according to claim 4, in which the said dummy port is connected to the wavelength converter via a splitter.

6. A method of operating an optical telecommunications system comprising a plurality of transparent passive optical networks (TONs), a plurality of terminals connected to each TON, and a common passive routing node according to any one of the preceding claims comprising:

a) selecting at respective terminals wavelength channels for forming connections with selected other terminals;

b) at the routing node, passively routing signals received at the routing node on the selected wavelength channels, wherein the step of passively routing includes:

(i) directing signals on some wavelength channels to the originating TON or to another of the plurality of TONs which are connected to the routing node; and

(ii) outputting signals on one or more other wavelength channels via a dummy port and returning the signal to the wavelength multiplexer, directing the signal from the wavelength multiplexer to a destination TON and

thereby coupling a plurality of different wavelength channels to a common destination TON.

7. A method according to claim 6, in which at least some of the signals directed via a dummy port are converted in wavelength.

8. A method according to claim 6 or 7, in which at least some of the signals directed via a dummy port are reflected back from the port and coupled via the multiplexer to the TON that originated the or each said signal.

9. A system according to any one of claims 1 to 5, in which the multiplexer is a single-sided n-port device and in which each port is an input/output port.

10. A system according to any one of claims 1 to 5, in which the multiplexer is double-sided nxn port device.

11. A method according to claim 6, 7 or 8 in which the terminals select a wavelength/time channel.

12. A common passive routing node comprising;

a plurality of input and output ports for connection, in use, to a plurality of transparent passive optical networks (TONs),

a wavelength multiplexer arranged, in use, to cross-connect the plurality of TONs which are connected to the common passive routing node, wherein the common passive routing node further comprises,

at least one dummy port arranged, in use, to receive an optical signal output by the wavelength multiplexer and including an optical path arranged, in use, to return an optical signal to the wavelength multiplexer such that the

routing node thereby couples a plurality of different wavelength channels to a common destination TON from the same source TON.

13. A common passive routing node according to claim 12, in which a dummy port is connected to a respective wavelength converter and, in use, a signal on an incoming wavelength from a TON directed to the said dummy port is converted to a different wavelength and coupled to a different TON.

14. A common passive routing node according to claim 12 or claim 13, in which a dummy port of the routing node is a reflecting port for coupling incoming light from a TON back to the same TON.

15. A common passive routing node according to claim 13, in which the multiplexer is a double-sided device and the dummy port is an output port which is connected to the respective wavelength converter and which is connected back via the said optical path to another input port of the multiplexer.

16. A common passive routing node according to claim 15, in which the said dummy port is connected to the wavelength converter via a splitter.

Fig.1.

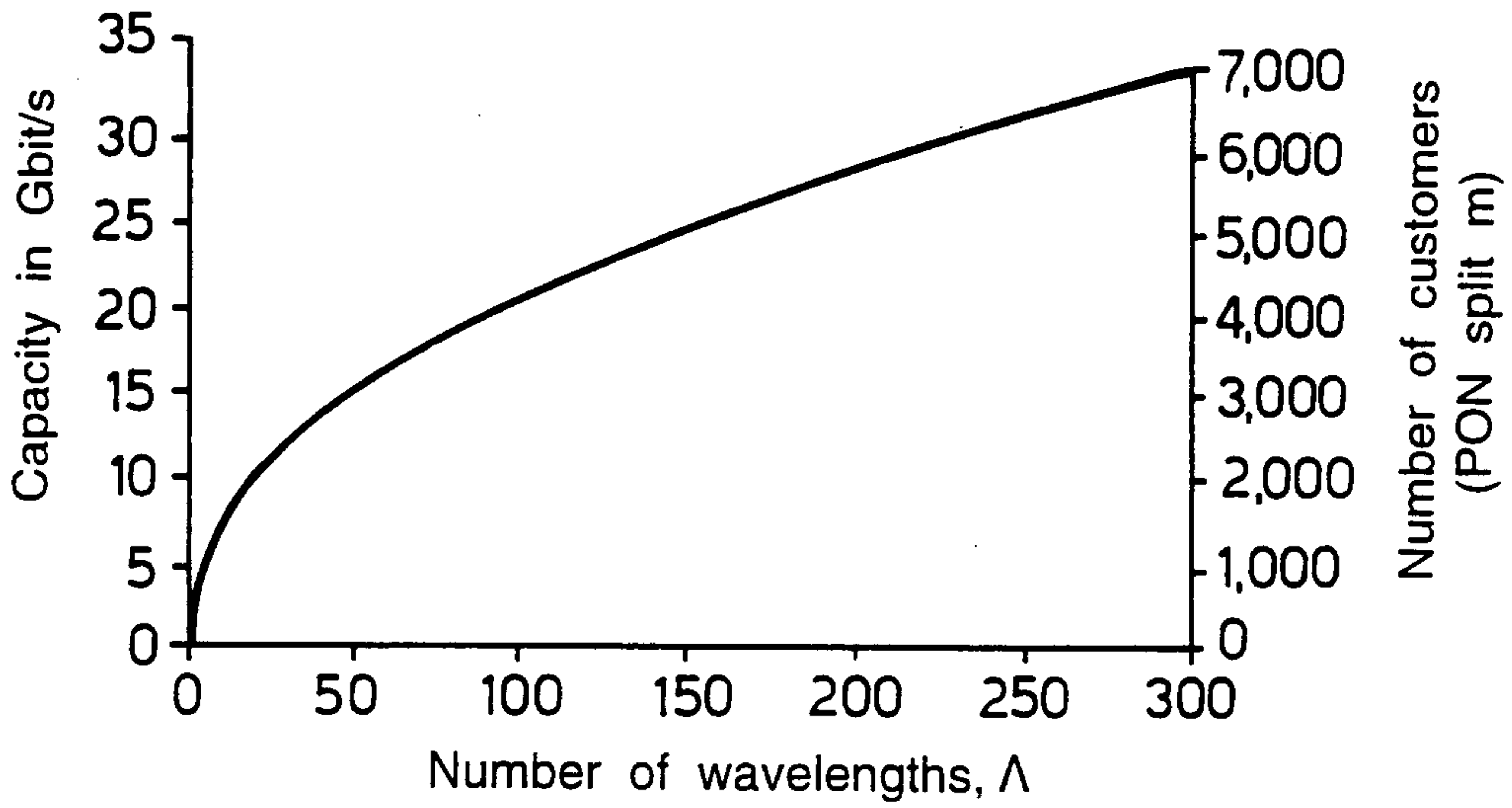
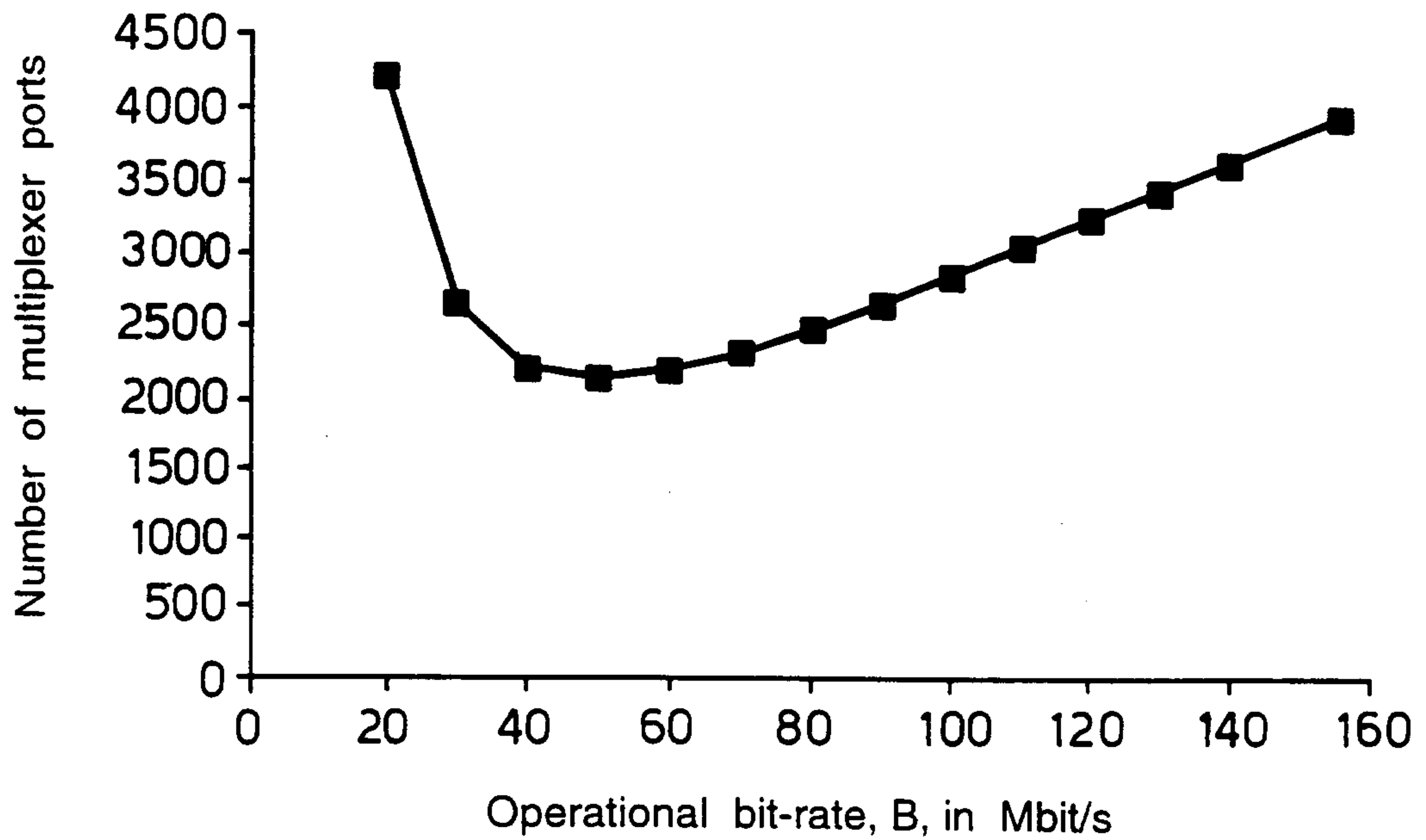


Fig.4.



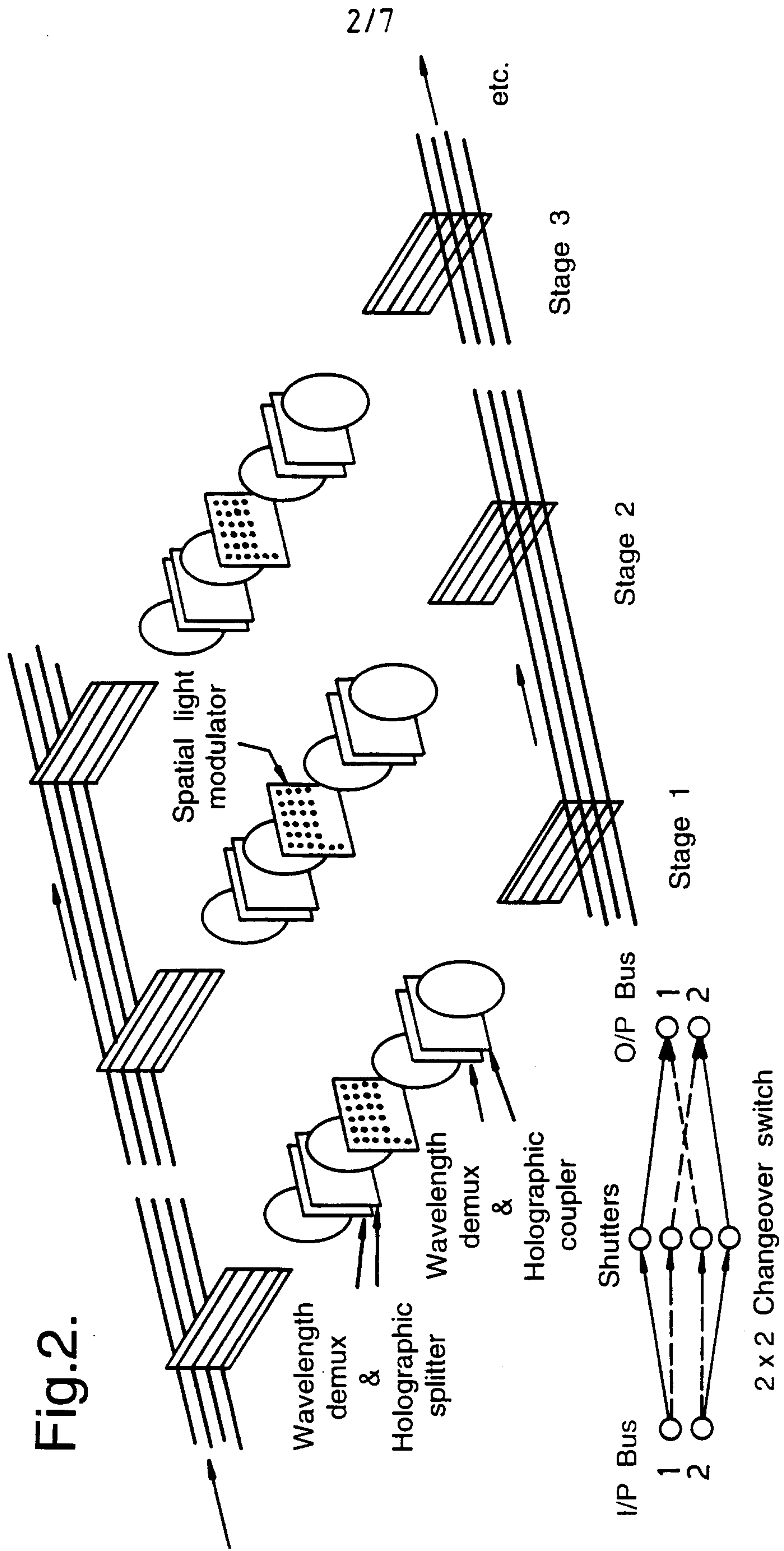


Fig.2.

Fig.3.

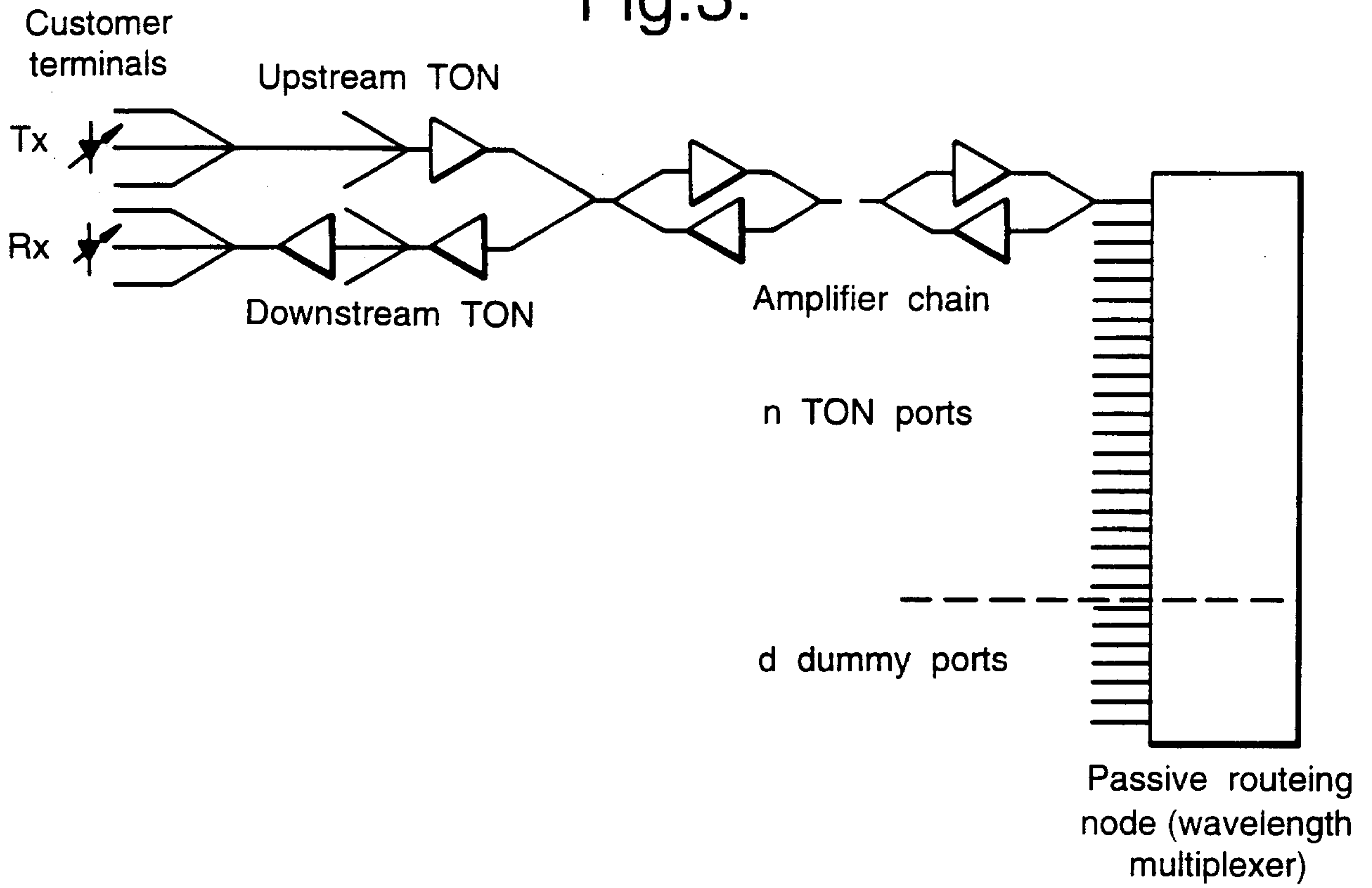
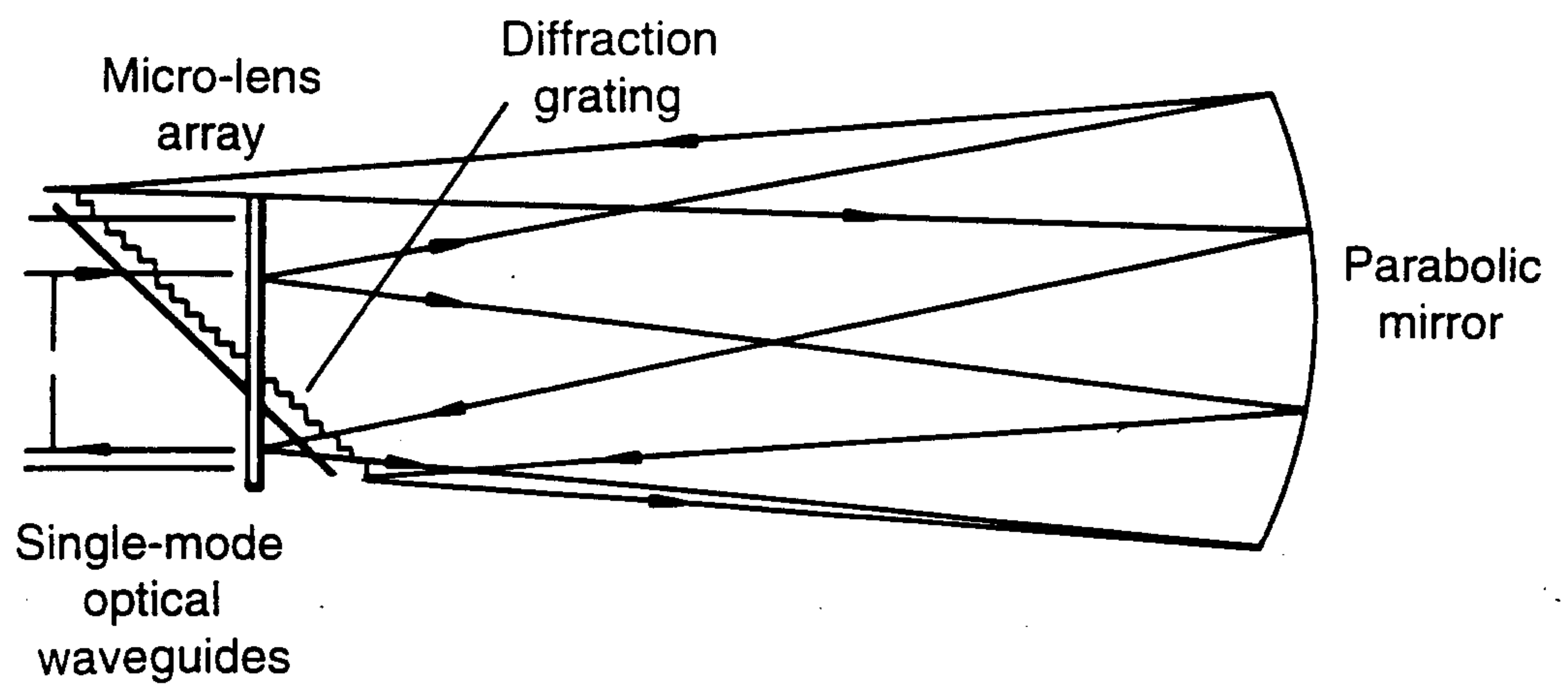
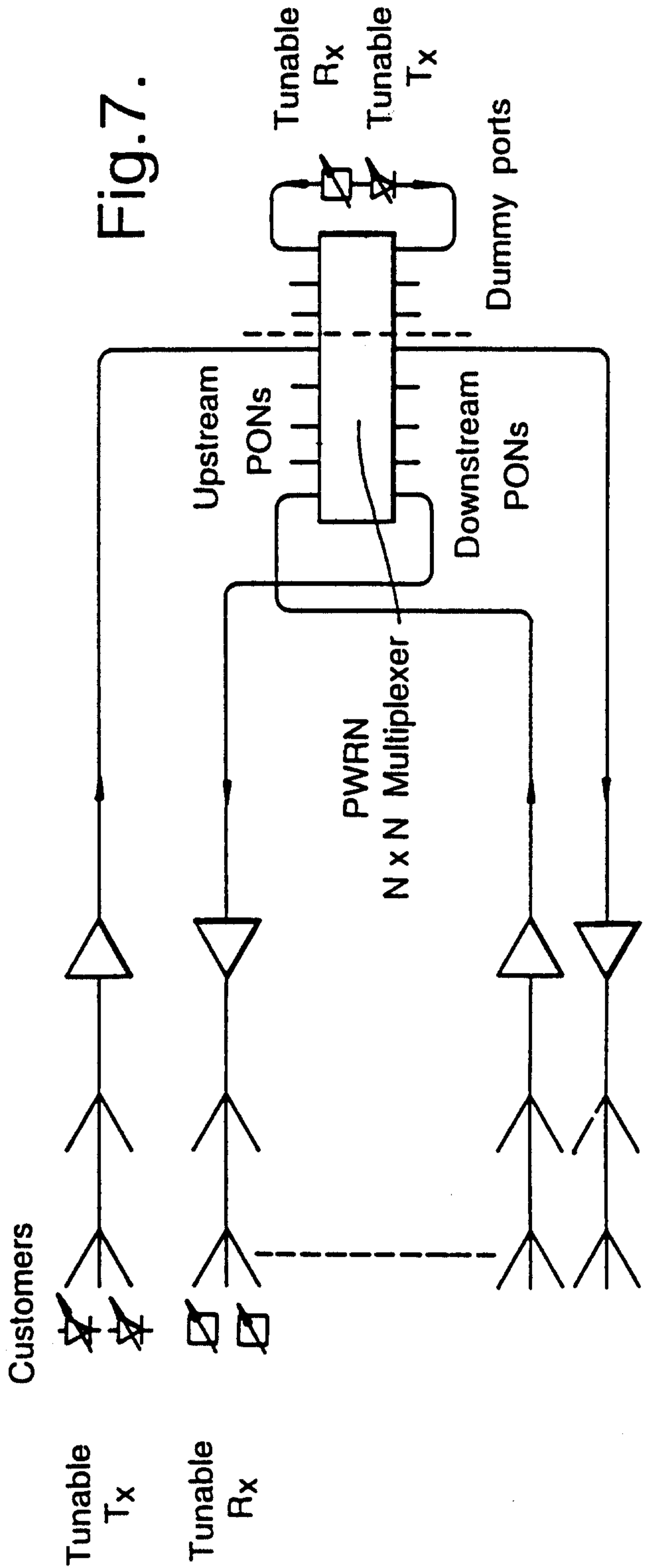
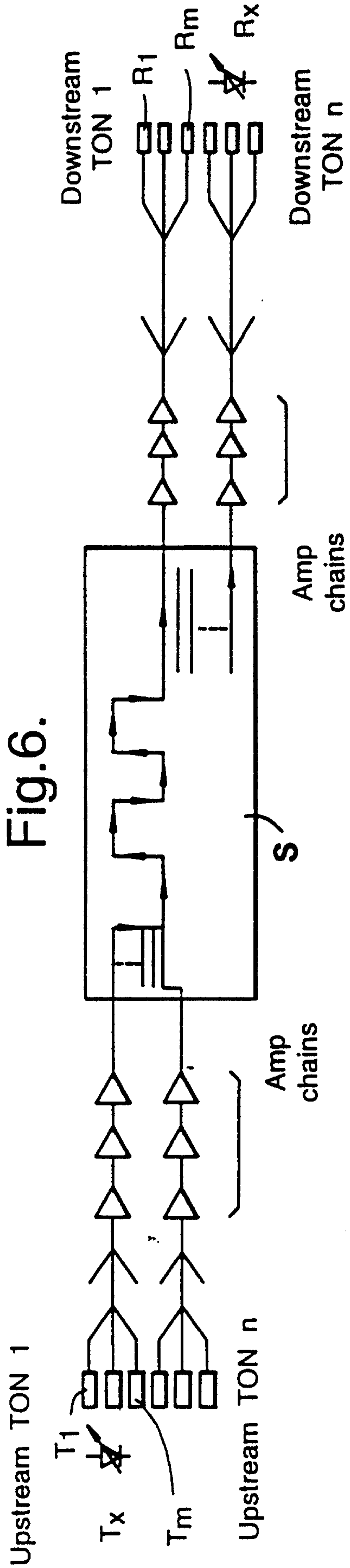


Fig.5.





4/7

Fig.8.

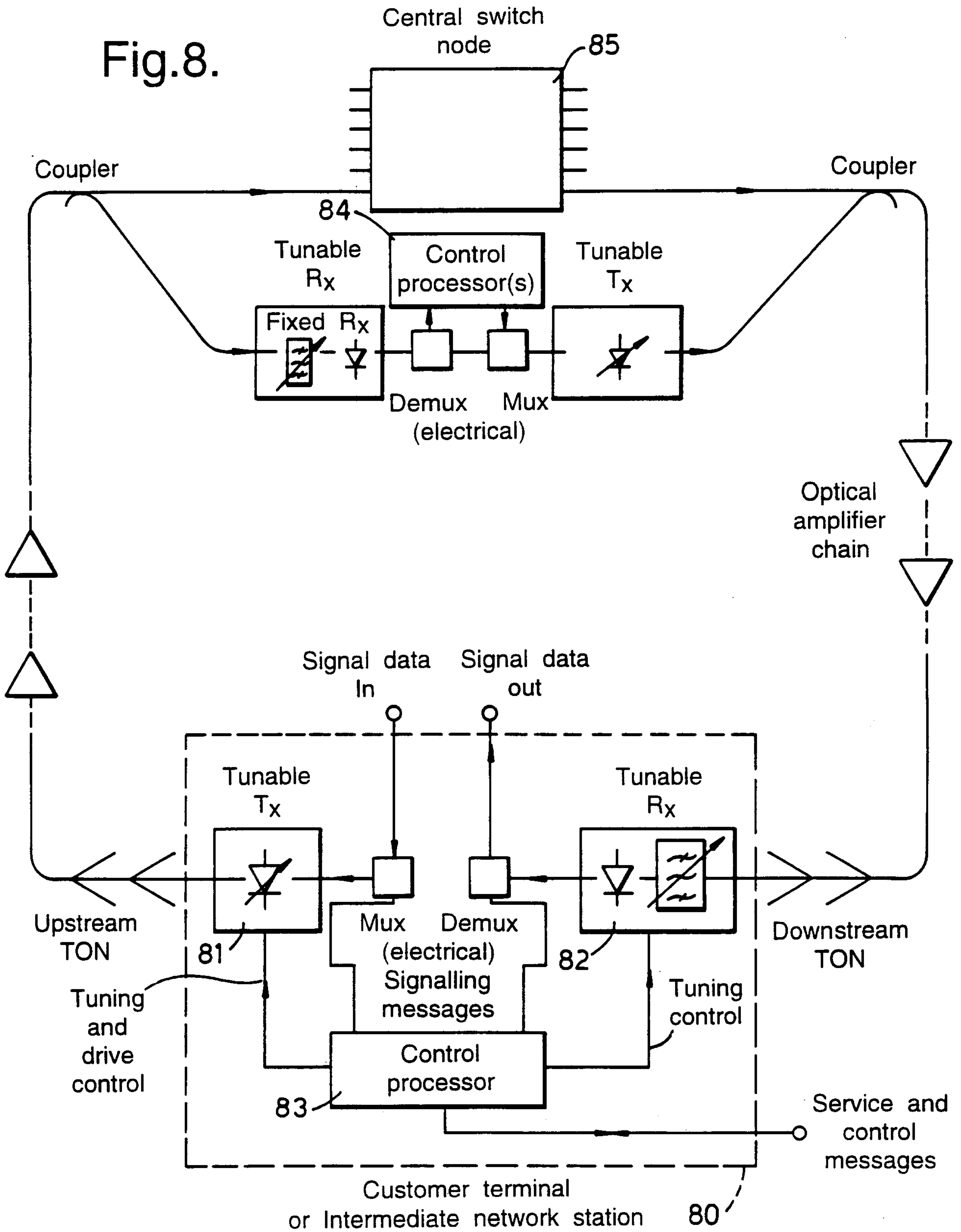


Fig.9.

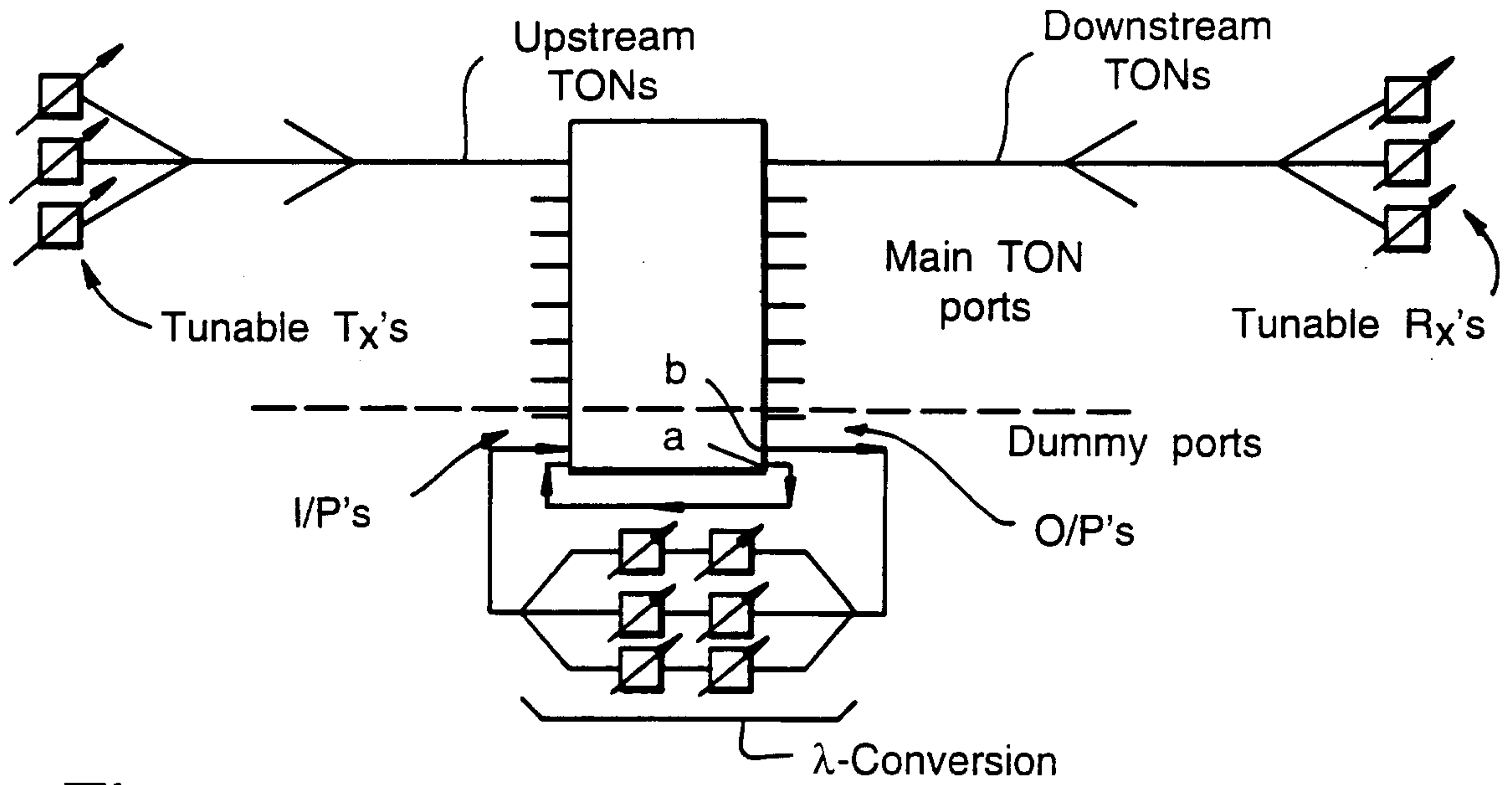


Fig.10.

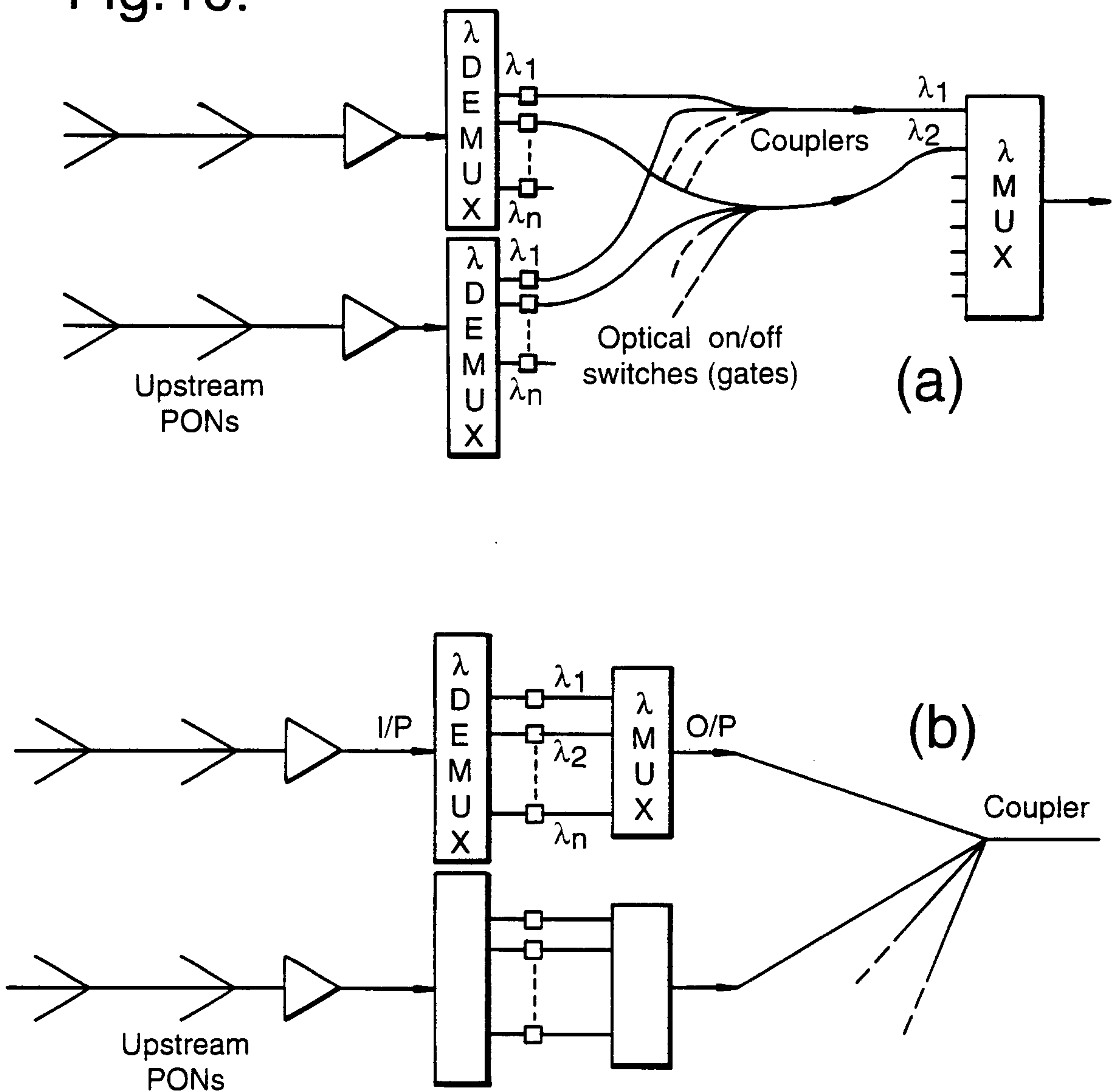
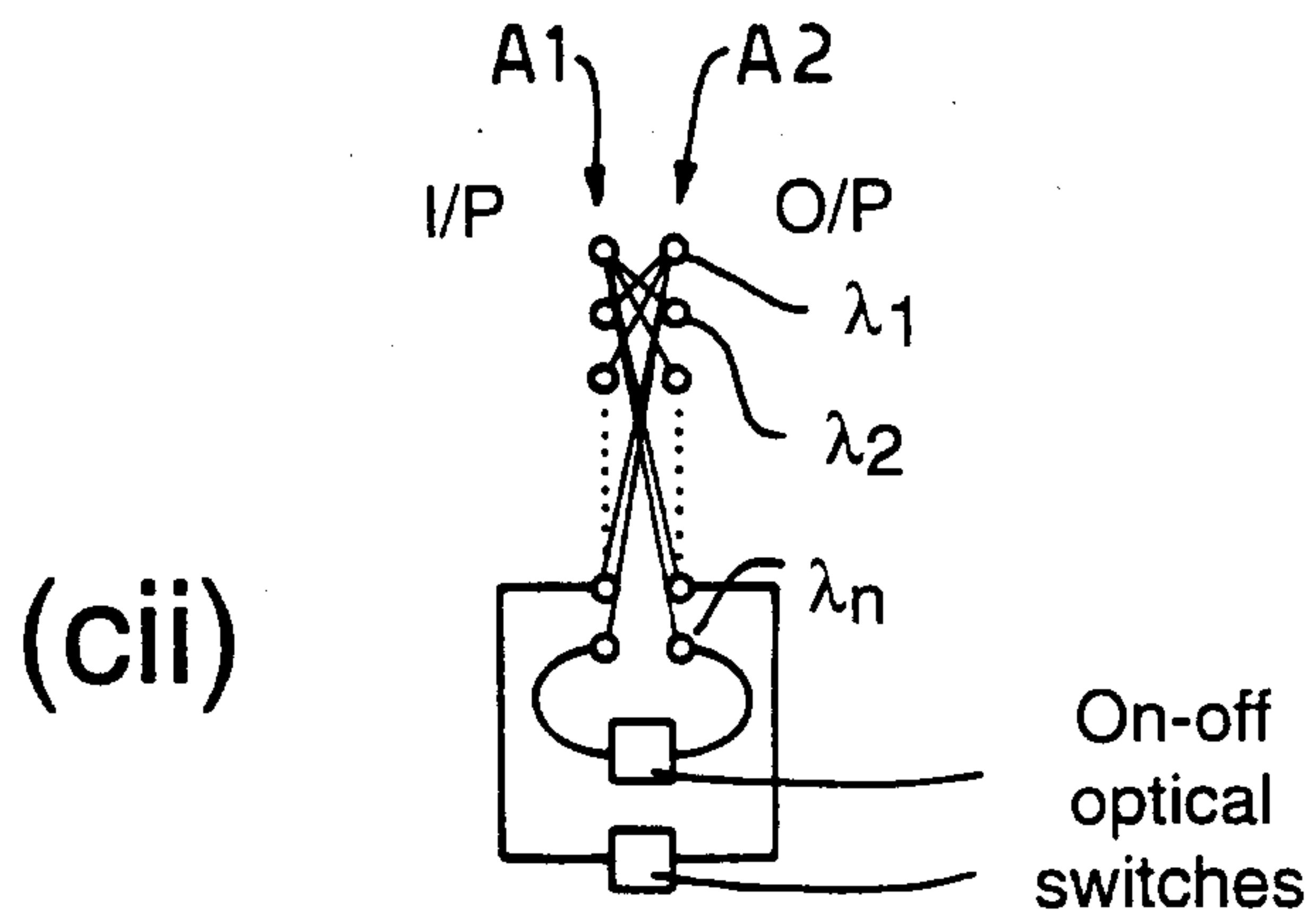
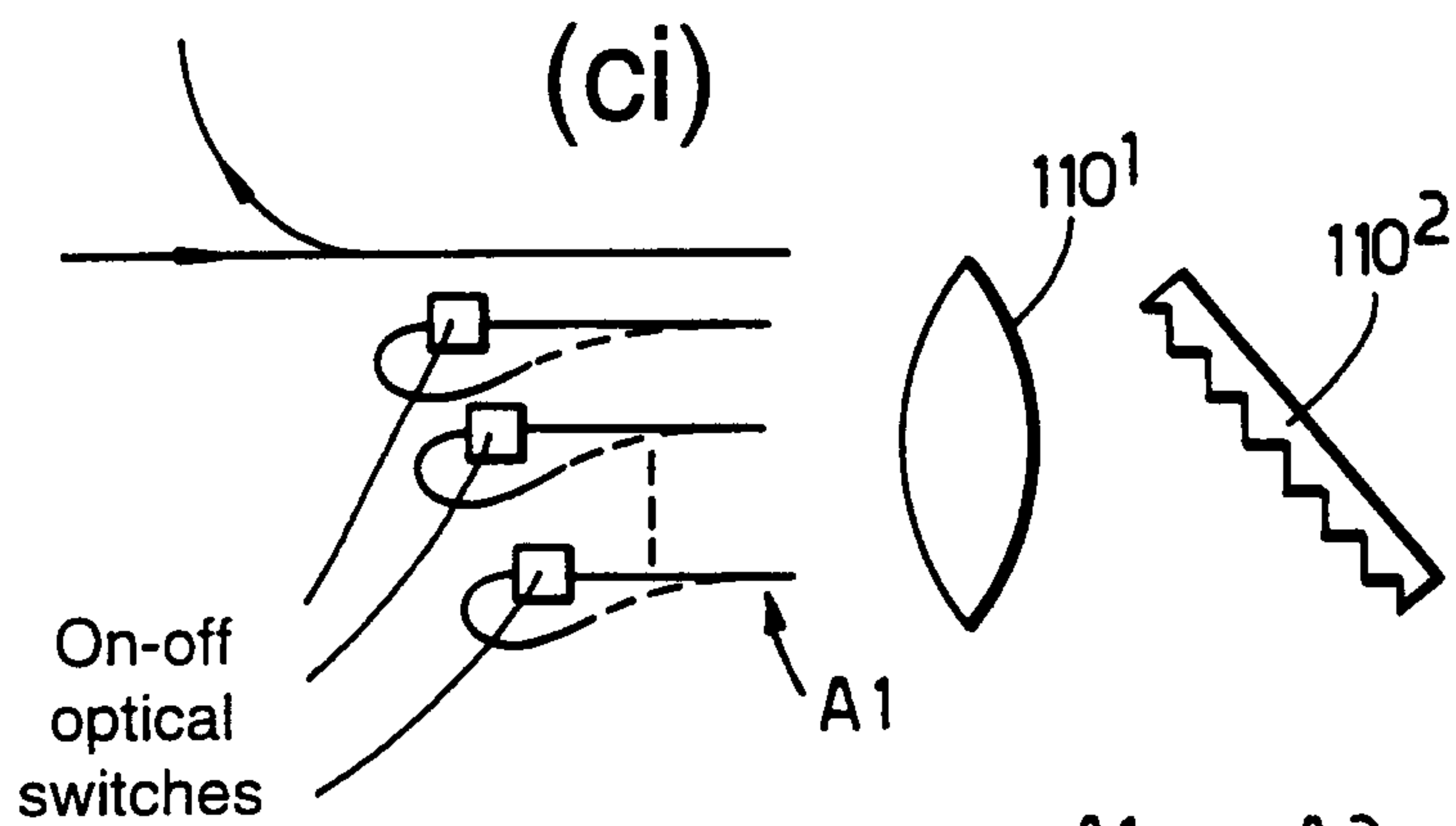
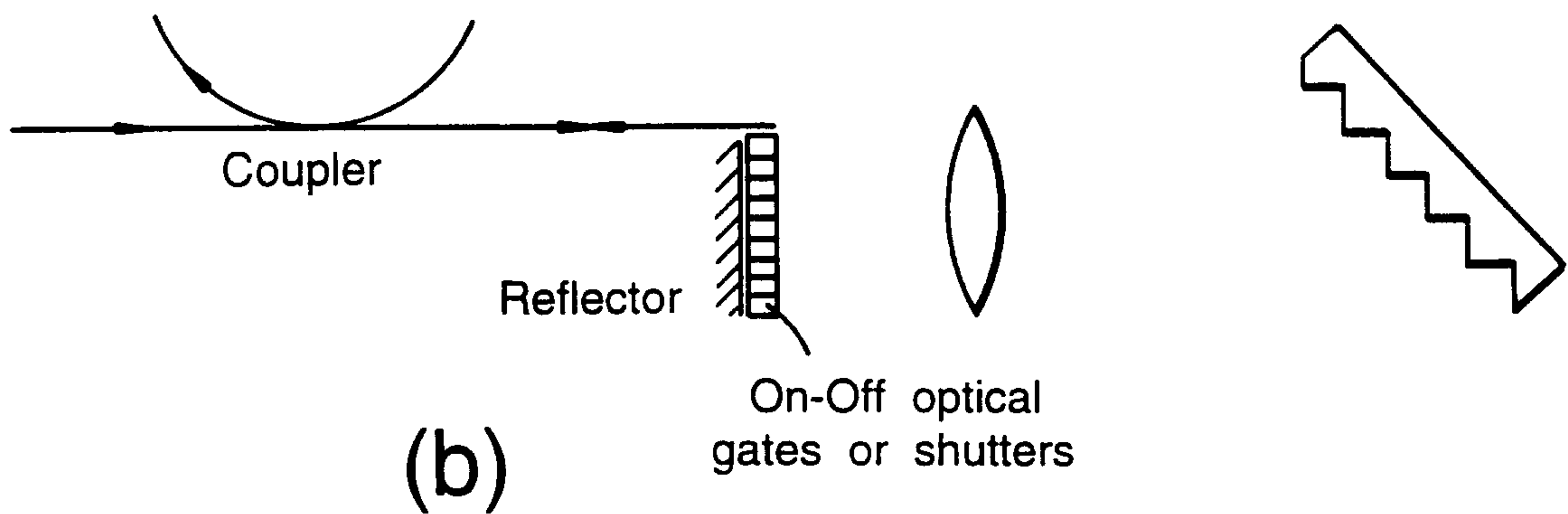
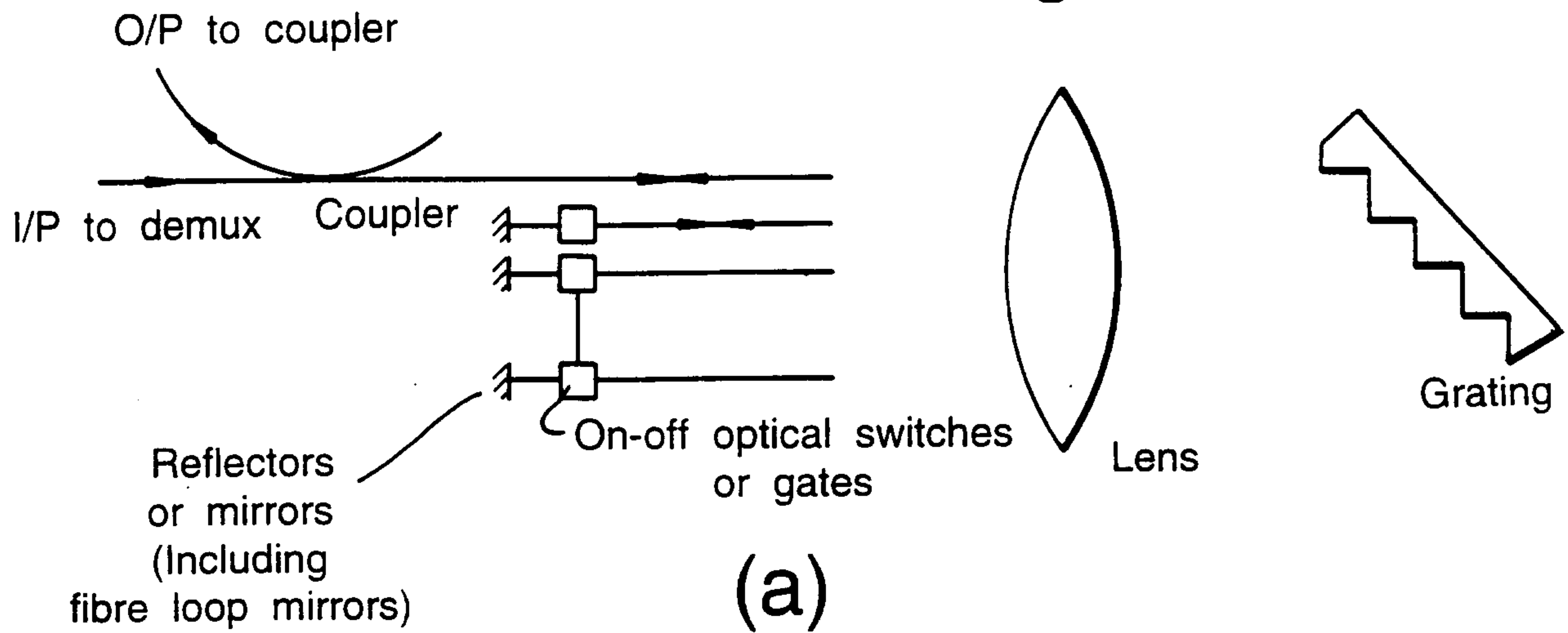


Fig.11.



Upstream TON 1

