



US00D703473S

(12) **United States Design Patent**  
**Polidoros**

(10) **Patent No.:** **US D703,473 S**

(45) **Date of Patent:** **\*\* \*Apr. 29, 2014**

(54) **TABLE BASE**

(71) Applicant: **IHS Global Design Pty. Ltd.**, Rowville (AU)

(72) Inventor: **Nicholas Polidoros**, Mitcham (AU)

(73) Assignee: **IHS Global Design Pty. Ltd.** (AU)

(\* ) Notice: This patent is subject to a terminal disclaimer.

(\*\*) Term: **14 Years**

(21) Appl. No.: **29/464,825**

(22) Filed: **Aug. 21, 2013**

**Related U.S. Application Data**

(63) Continuation of application No. 29/424,878, filed on Jun. 16, 2012, now Pat. No. Des. 693,613, which is a continuation of application No. 12/377,096, filed as application No. PCT/AU2007/000589 on May 4, 2007, now abandoned, application No. 29/464,825, which is a continuation of application No. 29/457,257, filed on Jun. 7, 2013, now Pat. No. Des. 692,708, which is a continuation of application No. 29/424,878, which is a continuation of application No. 12/377,096, filed as application No. PCT/AU2007/000589 on May 4, 2007, now abandoned, application No. 29/464,825, which is a continuation of application No. 29/461,203, filed on Jul. 19, 2013, now Pat. No. Des. 693,161, which is a continuation of application No. 29/424,878, which is a continuation of application No. 12/377,096, filed as application No. PCT/AU2007/000589 on May 4, 2007, now abandoned, application No. 29/464,825, which is a continuation of application No. 29/461,203, which is a continuation of application No. 29/457,257, which is a continuation of application No. 29/424,878, which is a continuation of application No. 12/377,096, filed as application No. PCT/AU2007/000589 on May 4, 2007, now abandoned.

(51) **LOC (10) Cl.** ..... **06-06**

(52) **U.S. Cl.**  
USPC ..... **D6/708**

(58) **Field of Classification Search**

USPC ..... D6/480-489, 495-499, 429-431, 708, D6/691, 691.6, 691.8; 108/153.1, 155, 108/156, 157.1, 161, 115, 157.16, 157.17, 108/157.18, 118, 119, 160; 248/188, 188.1, 248/188.7, 188.8

See application file for complete search history.

(56) **References Cited**

U.S. PATENT DOCUMENTS

587,219 A 7/1897 Maes  
D35,045 S 9/1901 Stickley

(Continued)

FOREIGN PATENT DOCUMENTS

AU 2006203492 2/2008  
CN 3245051 7/2002

(Continued)

OTHER PUBLICATIONS

Bloomberry, Rosewood foldable tray table, 1stdibs.com, [http://www.1stdibs.com/furniture\\_item\\_print.php?id=664172](http://www.1stdibs.com/furniture_item_print.php?id=664172), available at least as early as Nov. 2, 2012.

(Continued)

*Primary Examiner* — Janice Seeger

(74) *Attorney, Agent, or Firm* — SAIDMAN DesignLaw Group

(57) **CLAIM**

The ornamental design for a table base, as shown and described.

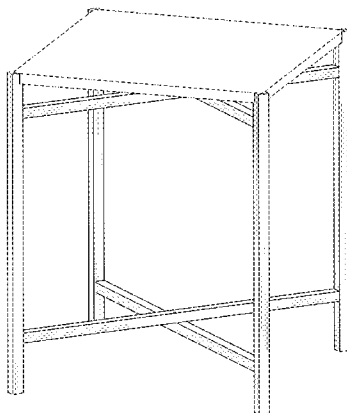
**DESCRIPTION**

The sole FIGURE is a perspective view of a table base showing my new design.

The broken lines illustrate environmental structure and form no part of the claimed design. The drawings include surface shading that represents contour and not surface ornamentation.

Those portions of the table base not shown in the sole FIGURE form no part of the claimed design.

**1 Claim, 1 Drawing Sheet**



(56)

References Cited

U.S. PATENT DOCUMENTS

1,939,904 A	12/1933	Koopman	
1,963,594 A	6/1934	Schwabe	
2,010,342 A	8/1935	Woods	
2,190,623 A	2/1940	Benson	
2,591,797 A	4/1952	Exline et al.	
D222,624 S	11/1971	Gianfagna	
4,300,455 A	11/1981	Ornati	
D298,095 S	10/1988	Kelley et al.	
D430,414 S	9/2000	Aloisi	
D440,431 S	4/2001	Alexandersson	
D440,788 S	4/2001	Alexandersson	
D480,578 S	10/2003	Teel	
D485,097 S	1/2004	Raftery	
D553,384 S	10/2007	Wilenius	
D649,381 S	11/2011	Mainzer	
D662,735 S	7/2012	Polidoros	
D665,540 S	8/2012	Kilroy	
D692,708 S	* 11/2013	Polidoros .....	D6/708
D693,161 S	* 11/2013	Polidoros .....	D6/708
D693,613 S	* 11/2013	Polidoros .....	D6/708
2008/0143166 A1	6/2008	de Oliveira	
2010/0147200 A1	6/2010	Polidoros	

FOREIGN PATENT DOCUMENTS

FR	954590-001	11/1995
FR	954590-002	11/1995
GB	397 592	8/1933
GB	510 248	7/1939

GB	652 211	4/1951
GB	766 898	1/1957
GB	2 316 605	3/1998
WO	2008/014535	2/2008

OTHER PUBLICATIONS

Fornasetti Lacquered Tray Table, 1stdibs.com, [http://www.1stdibs.com/furniture\\_item\\_print.php?id=700614](http://www.1stdibs.com/furniture_item_print.php?id=700614), available at least as early as Nov. 2, 2012.

Mark Frisman, Hans Wegner Occasional Table in Teak, 1stdibs.com, [http://www.1stdibs.com/furniture\\_item\\_print.php?id=711797](http://www.1stdibs.com/furniture_item_print.php?id=711797), available at least as early as Nov. 2, 2012.

Dual, Nest of Occasional Tables Bertha Schaefer for M. Singer & Sons, 1stdibs.com, [http://www.1stdibs.com/furniture\\_item\\_print.php?id=330714](http://www.1stdibs.com/furniture_item_print.php?id=330714), available at least as early as Nov. 2, 2012.

G<sub>4</sub> Décor, Tole Tray with Stand, 1stdibs.com, [http://www.1stdibs.com/furniture\\_item\\_print.php?id=499089](http://www.1stdibs.com/furniture_item_print.php?id=499089), available at least as early as Nov. 2, 2012.

Forbes Industries, EcoFlex Tables Catalogue, © 2013.

Table A, publication date unknown.

Table B, publication date unknown.

Table C, publication date unknown.

Application of Nicholas Polidoros in U.S. Appl. No. 29/424,878, filed Jun. 16, 2012, as amended Jun. 24, 2013 and Jun. 25, 2013.

Application of Nicholas Polidoros in U.S. Appl. No. 29/457,257, filed Jun. 7, 2013, as amended Jul. 19, 2013.

Application of Nicholas Polidoros in U.S. Appl. No. 29/461,203, filed Jul. 19, 2013.

\* cited by examiner

