



- (51) International Patent Classification:  
B64C 29/02 (2006.01)
- (21) International Application Number:  
PCT/US2016/029128
- (22) International Filing Date:  
25 April 2016 (25.04.2016)
- (25) Filing Language: English
- (26) Publication Language: English
- (30) Priority Data:  
62/152,317 24 April 2015 (24.04.2015) US
- (71) Applicant: SIKORSKY AIRCRAFT CORPORATION  
[US/US]; 6900 Main Street, P.O. Box 9729, Stratford, CT 06615 (US).
- (72) Inventor: ALBER, Mark, R.; 22 St. Andrews Lane, Milford, CT 06461 (US).
- (74) Agents: WOFSY, Scott, D. et al.; Locke Lord LLP, P.O. Box 55874, Boston, MA 02205 (US).
- (81) Designated States (unless otherwise indicated, for every kind of national protection available): AE, AG, AL, AM, AO, AT, AU, AZ, BA, BB, BG, BH, BN, BR, BW, BY, BZ, CA, CH, CL, CN, CO, CR, CU, CZ, DE, DK, DM,

DO, DZ, EC, EE, EG, ES, FI, GB, GD, GE, GH, GM, GT, HN, HR, HU, ID, IL, IN, IR, IS, JP, KE, KG, KN, KP, KR, KZ, LA, LC, LK, LR, LS, LU, LY, MA, MD, ME, MG, MK, MN, MW, MX, MY, MZ, NA, NG, NI, NO, NZ, OM, PA, PE, PG, PH, PL, PT, QA, RO, RS, RU, RW, SA, SC, SD, SE, SG, SK, SL, SM, ST, SV, SY, TH, TJ, TM, TN, TR, TT, TZ, UA, UG, US, UZ, VC, VN, ZA, ZM, ZW.

(84) Designated States (unless otherwise indicated, for every kind of regional protection available): ARIPO (BW, GH, GM, KE, LR, LS, MW, MZ, NA, RW, SD, SL, ST, SZ, TZ, UG, ZM, ZW), Eurasian (AM, AZ, BY, KG, KZ, RU, TJ, TM), European (AL, AT, BE, BG, CH, CY, CZ, DE, DK, EE, ES, FI, FR, GB, GR, HR, HU, IE, IS, IT, LT, LU, LV, MC, MK, MT, NL, NO, PL, PT, RO, RS, SE, SI, SK, SM, TR), OAPI (BF, BJ, CF, CG, CI, CM, GA, GN, GQ, GW, KM, ML, MR, NE, SN, TD, TG).

**Published:**

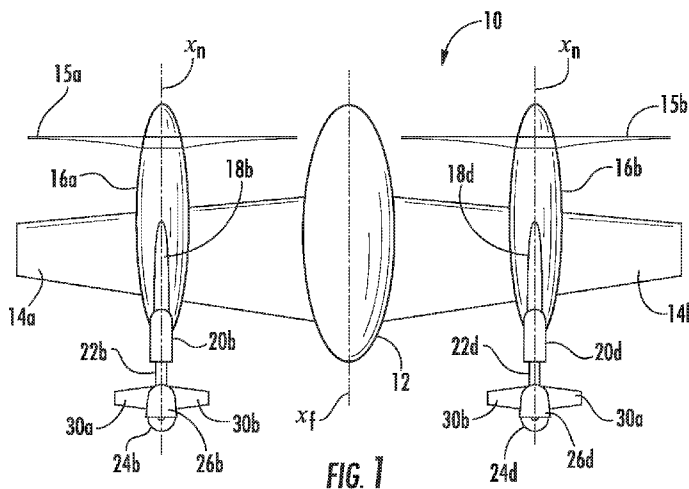
- with international search report (Art. 21(3))
- before the expiration of the time limit for amending the claims and to be republished in the event of receipt of amendments (Rule 48.2(h))

(88) Date of publication of the international search report:  
16 March 2017



WO 2016/209350 A3

(54) Title: LANDING GEAR FAIRING WITH AERODYNAMIC SURFACES FOR TAIL SITTER AIRCRAFT



(57) Abstract: A fairing for a landing gear wheel assembly on a tail sitter aircraft is disclosed, which includes a fairing housing defining a longitudinal axis, and at least one pair of laterally opposed aerodynamic tail surfaces extending radially outward from the fairing housing for added flight stability.

INTERNATIONAL SEARCH REPORT

International application No.  
PCT/US 16/29128

<p>A. CLASSIFICATION OF SUBJECT MATTER                  IPC(8) - B64C 29/02 (2016.01)                  CPC - B64C 29/02                  According to International Patent Classification (IPC) or to both national classification and IPC</p>																				
<p>B. FIELDS SEARCHED</p> <p>Minimum documentation searched (classification system followed by classification symbols)                  IPC(8): B64C 29/02 (2016.01)                  CPC: B64C 29/02</p> <p>Documentation searched other than minimum documentation to the extent that such documents are included in the fields searched                  IPC(8): B64C 29/04, B64C 25/04, B64C 25/1 (2016.01)                  CPC: B64C 25/58, B64C 25/60, B64C 29/04, B64C 25/04, B64C 25/16 USPC: 244/7, 244/100, 244/17.17, 244/87</p> <p>Electronic data base consulted during the international search (name of data base and, where practicable, search terms used)                  PatBase; ProQuest Dialog; Google Patents; Google Web; Google Scholar                  Search Terms: tailsitter, "tail sitter", "tail-sitter", tail, sit, vertical, take, tail, empennage, "landing gear", wheel, fin, vane, "tail surface", rudder, elevator, airfoil, wing, airplane, aircraft, "aerial vehicle", "UAV", drone, fairing</p>																				
<p>C. DOCUMENTS CONSIDERED TO BE RELEVANT</p> <table border="1"> <thead> <tr> <th>Category*</th> <th>Citation of document, with indication, where appropriate, of the relevant passages</th> <th>Relevant to claim No.</th> </tr> </thead> <tbody> <tr> <td>A</td> <td>US 5,062,587 A (Wernicke). 05 November 1991 (05.11.1991). Figs. 1, 3; col 2, ln 23-55; col 3, ln 8-27.</td> <td>1-20</td> </tr> <tr> <td>A</td> <td>US 2,712,420 A (Amster et al.). 05 July 1955 (05.07.1955). Figs. 1, 15; col 2, ln 42-50; col 7, ln 67-col 8, ln 4.</td> <td>1-11</td> </tr> <tr> <td>A</td> <td>US 2015/0014475 A1 (Taylor et al.). 15 January 2015 (15.01.2015). Fig. 1; para [0027]).</td> <td>12-20</td> </tr> <tr> <td>A</td> <td>US 2,794,609 A (Perry). 04 June 1957 (04.06.1957). Entire document.</td> <td>1-20</td> </tr> <tr> <td>A</td> <td>US 2,750,133 A (Lebold). 12 June 1956 (12.06.1956). Entire document.</td> <td>1-20</td> </tr> </tbody> </table>			Category*	Citation of document, with indication, where appropriate, of the relevant passages	Relevant to claim No.	A	US 5,062,587 A (Wernicke). 05 November 1991 (05.11.1991). Figs. 1, 3; col 2, ln 23-55; col 3, ln 8-27.	1-20	A	US 2,712,420 A (Amster et al.). 05 July 1955 (05.07.1955). Figs. 1, 15; col 2, ln 42-50; col 7, ln 67-col 8, ln 4.	1-11	A	US 2015/0014475 A1 (Taylor et al.). 15 January 2015 (15.01.2015). Fig. 1; para [0027]).	12-20	A	US 2,794,609 A (Perry). 04 June 1957 (04.06.1957). Entire document.	1-20	A	US 2,750,133 A (Lebold). 12 June 1956 (12.06.1956). Entire document.	1-20
Category*	Citation of document, with indication, where appropriate, of the relevant passages	Relevant to claim No.																		
A	US 5,062,587 A (Wernicke). 05 November 1991 (05.11.1991). Figs. 1, 3; col 2, ln 23-55; col 3, ln 8-27.	1-20																		
A	US 2,712,420 A (Amster et al.). 05 July 1955 (05.07.1955). Figs. 1, 15; col 2, ln 42-50; col 7, ln 67-col 8, ln 4.	1-11																		
A	US 2015/0014475 A1 (Taylor et al.). 15 January 2015 (15.01.2015). Fig. 1; para [0027]).	12-20																		
A	US 2,794,609 A (Perry). 04 June 1957 (04.06.1957). Entire document.	1-20																		
A	US 2,750,133 A (Lebold). 12 June 1956 (12.06.1956). Entire document.	1-20																		
<p><input type="checkbox"/> Further documents are listed in the continuation of Box C. <input type="checkbox"/></p>																				
<p>* Special categories of cited documents:</p> <table border="0"> <tr> <td>"A" document defining the general state of the art which is not considered to be of particular relevance</td> <td>"T" later document published after the international filing date or priority date and not in conflict with the application but cited to understand the principle or theory underlying the invention</td> </tr> <tr> <td>"E" earlier application or patent but published on or after the international filing date</td> <td>"X" document of particular relevance; the claimed invention cannot be considered novel or cannot be considered to involve an inventive step when the document is taken alone</td> </tr> <tr> <td>"L" document which may throw doubts on priority claim(s) or which is cited to establish the publication date of another citation or other special reason (as specified)</td> <td>"Y" document of particular relevance; the claimed invention cannot be considered to involve an inventive step when the document is combined with one or more other such documents, such combination being obvious to a person skilled in the art</td> </tr> <tr> <td>"O" document referring to an oral disclosure, use, exhibition or other means</td> <td>"&amp;" document member of the same patent family</td> </tr> <tr> <td>"P" document published prior to the international filing date but later than the priority date claimed</td> <td></td> </tr> </table>			"A" document defining the general state of the art which is not considered to be of particular relevance	"T" later document published after the international filing date or priority date and not in conflict with the application but cited to understand the principle or theory underlying the invention	"E" earlier application or patent but published on or after the international filing date	"X" document of particular relevance; the claimed invention cannot be considered novel or cannot be considered to involve an inventive step when the document is taken alone	"L" document which may throw doubts on priority claim(s) or which is cited to establish the publication date of another citation or other special reason (as specified)	"Y" document of particular relevance; the claimed invention cannot be considered to involve an inventive step when the document is combined with one or more other such documents, such combination being obvious to a person skilled in the art	"O" document referring to an oral disclosure, use, exhibition or other means	"&" document member of the same patent family	"P" document published prior to the international filing date but later than the priority date claimed									
"A" document defining the general state of the art which is not considered to be of particular relevance	"T" later document published after the international filing date or priority date and not in conflict with the application but cited to understand the principle or theory underlying the invention																			
"E" earlier application or patent but published on or after the international filing date	"X" document of particular relevance; the claimed invention cannot be considered novel or cannot be considered to involve an inventive step when the document is taken alone																			
"L" document which may throw doubts on priority claim(s) or which is cited to establish the publication date of another citation or other special reason (as specified)	"Y" document of particular relevance; the claimed invention cannot be considered to involve an inventive step when the document is combined with one or more other such documents, such combination being obvious to a person skilled in the art																			
"O" document referring to an oral disclosure, use, exhibition or other means	"&" document member of the same patent family																			
"P" document published prior to the international filing date but later than the priority date claimed																				
<p>Date of the actual completion of the international search 22 November 2016</p>		<p>Date of mailing of the international search report <b>24 JAN 2017</b></p>																		
<p>Name and mailing address of the ISA/US                  Mail Stop PCT, Attn: ISA/US, Commissioner for Patents                  P.O. Box 1450, Alexandria, Virginia 22313-1450                  Facsimile No. 571-273-8300</p>		<p>Authorized officer: Lee W. Young</p> <p>PCT Helpdesk: 571-272-4300 PCT OSP: 571-272-7774</p>																		