



US00D997435S

(12) **United States Design Patent**  
**Liu et al.**

(10) **Patent No.:** **US D997,435 S**

(45) **Date of Patent:** **\*\* Aug. 29, 2023**

(54) **STARRY SKY PROJECTOR**  
(71) Applicant: **ZHONGSHAN BOLANG ELECTRONIC TECHNOLOGY CO., LTD.**, Zhongshan (CN)  
(72) Inventors: **Ke Xian Liu**, Zhongshan (CN); **Gang Wang**, Zhongshan (CN)  
(73) Assignee: **ZHONGSHAN BOLANG ELECTRONIC TECHNOLOGY CO., LTD.**, Zhongshan (CN)

D875,994 S \* 2/2020 Yu ..... D26/104  
D889,022 S \* 6/2020 Zhang ..... D26/106  
D891,682 S \* 7/2020 Wei ..... D29/104  
D894,963 S \* 9/2020 Li ..... D24/231  
D898,271 S \* 10/2020 Zheng ..... D26/110  
D907,281 S \* 1/2021 Wu ..... D26/104  
D927,043 S \* 8/2021 Tian ..... D26/93  
D927,045 S \* 8/2021 Li ..... D26/110  
D927,448 S \* 8/2021 Zhang ..... D14/204  
D927,751 S \* 8/2021 Zheng ..... D26/94  
D930,222 S \* 9/2021 Song ..... D26/106  
D933,282 S \* 10/2021 Ji ..... D26/93

(Continued)

(\*\*) Term: **15 Years**

(21) Appl. No.: **29/817,764**

(22) Filed: **Dec. 3, 2021**

(30) **Foreign Application Priority Data**

Nov. 10, 2021 (CN) ..... 202130738698.8

(51) **LOC (14) Cl.** ..... **26-05**

(52) **U.S. Cl.**  
USPC ..... **D26/104**

(58) **Field of Classification Search**  
USPC ..... D26/24, 51, 93, 94, 95, 102, 104, 106, D26/110, 123, 124; D14/172, 205, 215, D14/216

CPC .... F21S 6/00; F21S 6/002; F21S 6/003; F21S 6/004; F21S 6/005; F21S 6/006; F21S 6/007; F21S 6/008; F21S 10/00; F21S 10/02; F21S 10/06; F21S 10/063; F21W 2131/00; F21W 2131/30

See application file for complete search history.

(56) **References Cited**

**U.S. PATENT DOCUMENTS**

D744,454 S \* 12/2015 Ou Yang ..... D14/207  
D840,582 S \* 2/2019 Liu ..... D26/104  
D868,032 S \* 11/2019 Wen ..... D14/216

**OTHER PUBLICATIONS**

Galaxy Projector Lights Starry Night; Retrieved from Amazon.com at <https://www.amazon.com/Projector-Bluetooth-Speaker-Changing-Control/dp/B0924FQFP1?th=1>; Retrieved on May 19, 2023; First available on Apr. 9, 2021 (Year: 2021).\*

*Primary Examiner* — Clint A Samuel  
(74) *Attorney, Agent, or Firm* — Li & Cai Intellectual Property (USA) Office

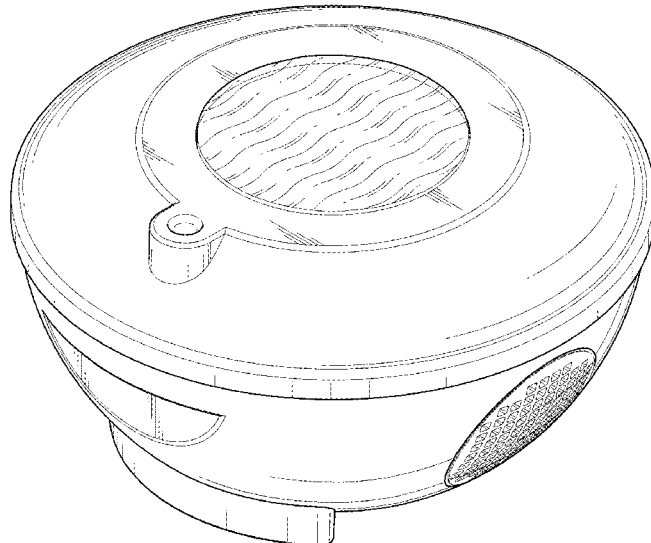
(57) **CLAIM**

The ornamental design for a starry sky projector, as shown and described.

**DESCRIPTION**

FIG. 1 is a front, right side, top perspective view of a starry sky projector showing the claimed design;  
FIG. 2 is a front elevational view thereof;  
FIG. 3 is a rear elevational view thereof;  
FIG. 4 is a left side elevational view thereof;  
FIG. 5 is a right side elevational view thereof;  
FIG. 6 is a top plan view thereof; and,  
FIG. 7 is a bottom plan view thereof.  
The broken lines in the drawing depict portions of the starry sky projector that form no part of the claimed design.

**1 Claim, 7 Drawing Sheets**



(56)

**References Cited**

## U.S. PATENT DOCUMENTS

11,215,912	B1	*	1/2022	Xu	.....	F21V 13/10
D943,800	S	*	2/2022	Wang	.....	D26/104
D945,052	S	*	3/2022	Huang	.....	D26/112
D945,397	S	*	3/2022	Kuang	.....	D14/216
D948,095	S	*	4/2022	Zheng	.....	D26/104
D948,776	S	*	4/2022	Dai	.....	D26/110
D956,322	S	*	6/2022	Li	.....	D26/106
D957,035	S	*	7/2022	Tan	.....	D26/93
D959,046	S	*	7/2022	Hendifar	.....	D26/110
D959,728	S	*	8/2022	Li	.....	D26/104
D960,426	S	*	8/2022	Geng	.....	D26/104
D961,837	S	*	8/2022	Zheng	.....	D26/104
D962,532	S	*	8/2022	He	.....	D26/104
D963,230	S	*	9/2022	Zheng	.....	D26/104
D963,929	S	*	9/2022	Li	.....	D26/106
D969,394	S	*	11/2022	Zheng	.....	D26/104
D970,790	S	*	11/2022	He	.....	D26/104
D972,181	S	*	12/2022	Lin	.....	D26/104
D972,198	S	*	12/2022	Fu	.....	D26/104
D972,768	S	*	12/2022	Peng	.....	D26/110
D981,027	S	*	3/2023	Li	.....	D26/104
D984,717	S	*	4/2023	Zhao	.....	D26/93

\* cited by examiner

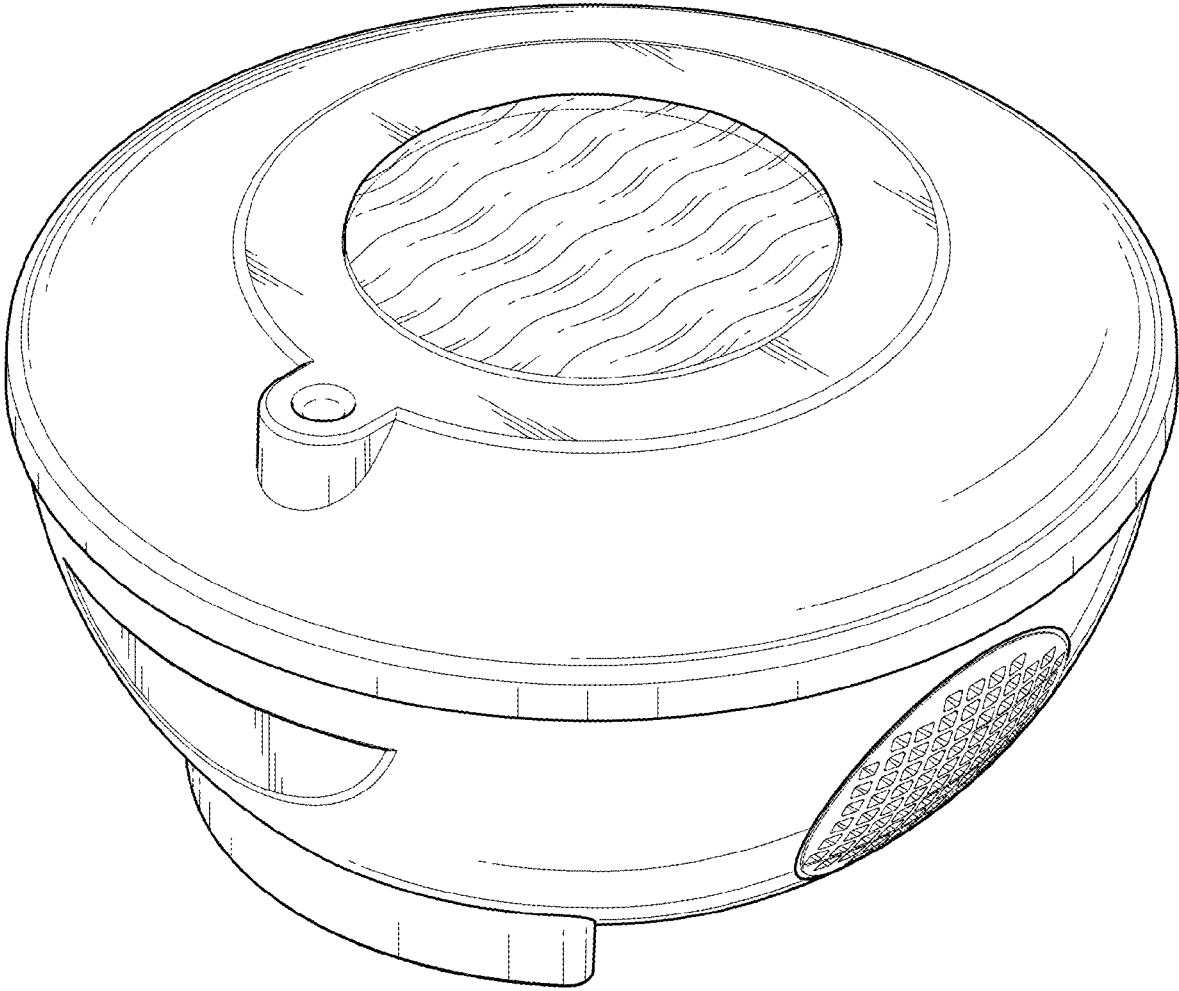


FIG. 1

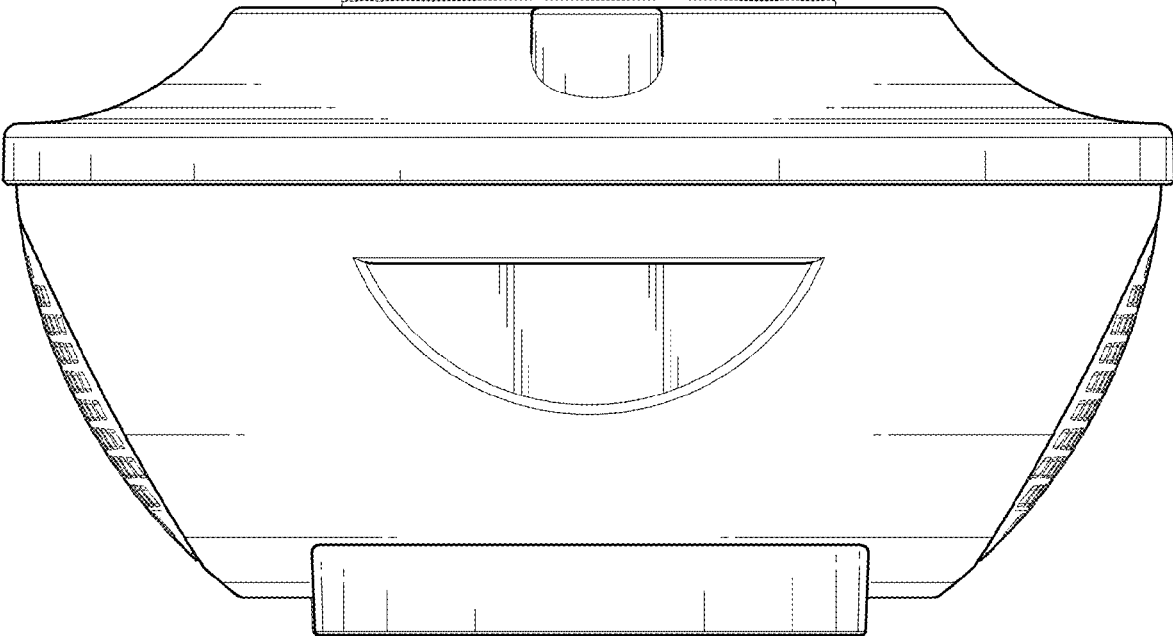


FIG. 2

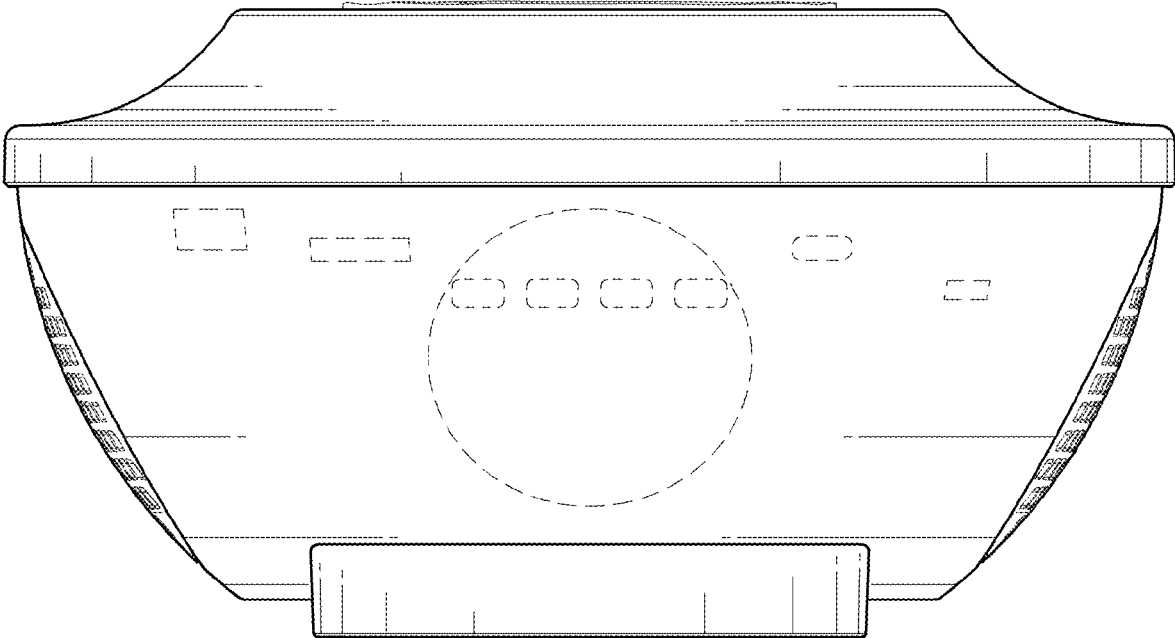


FIG. 3

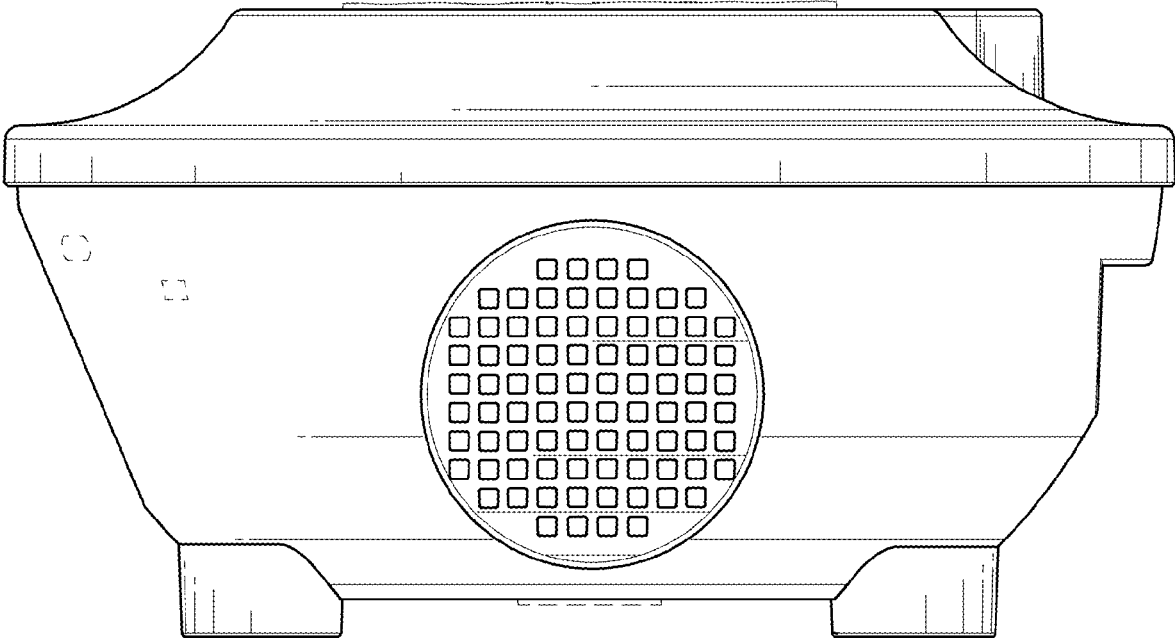


FIG. 4

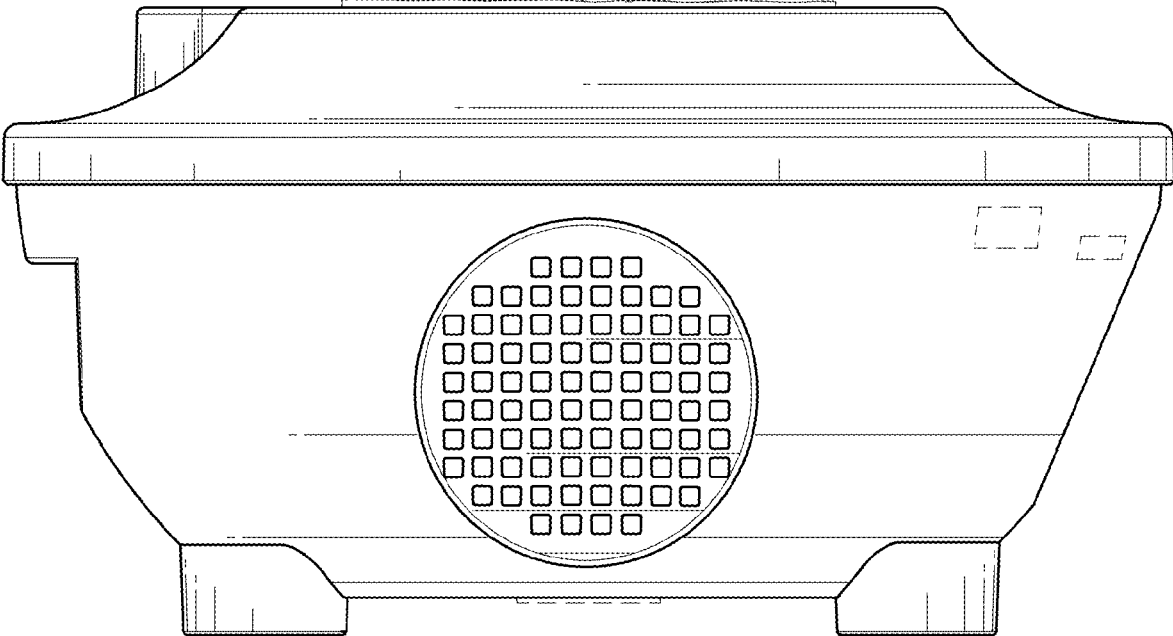


FIG. 5

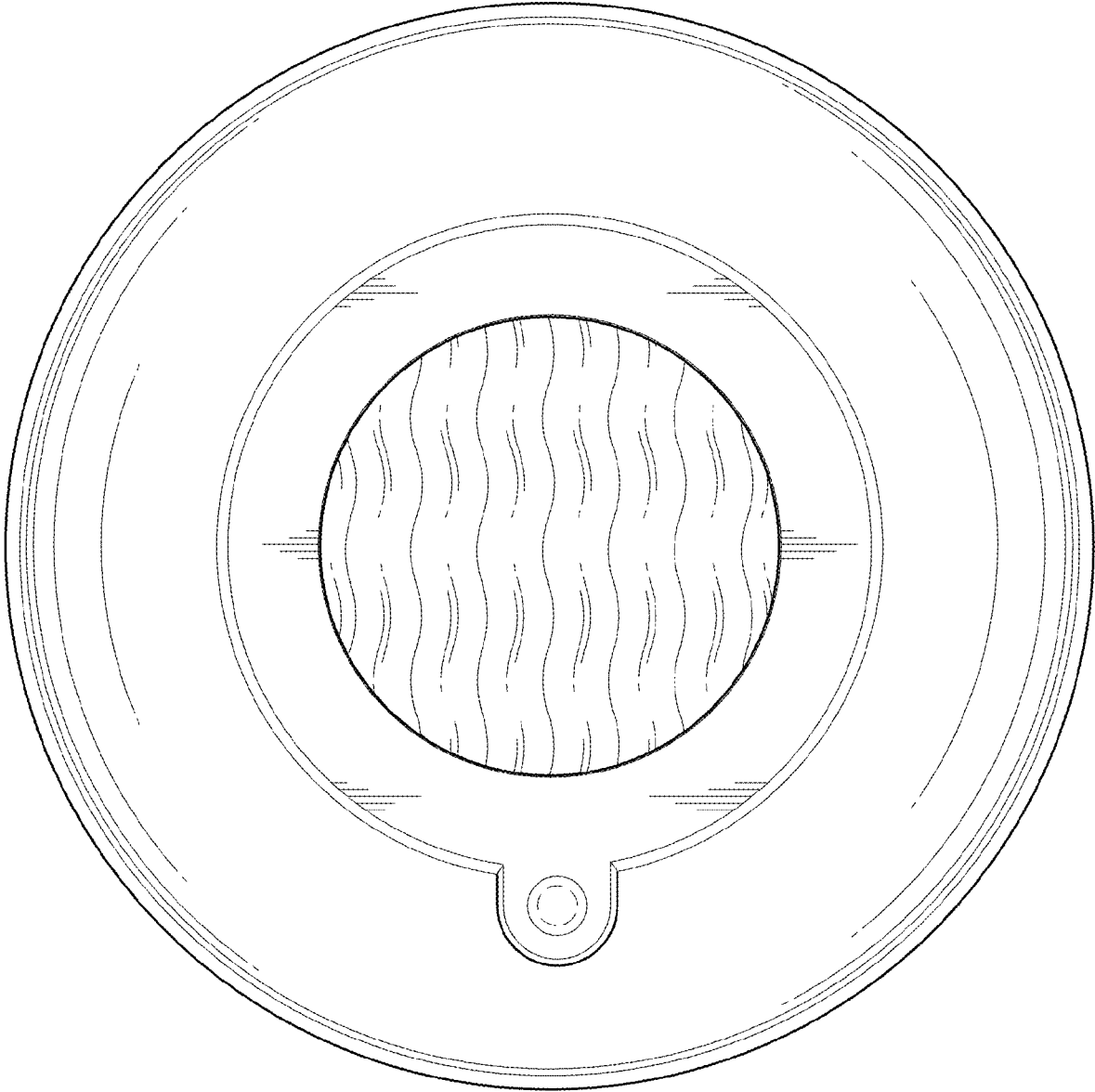


FIG. 6

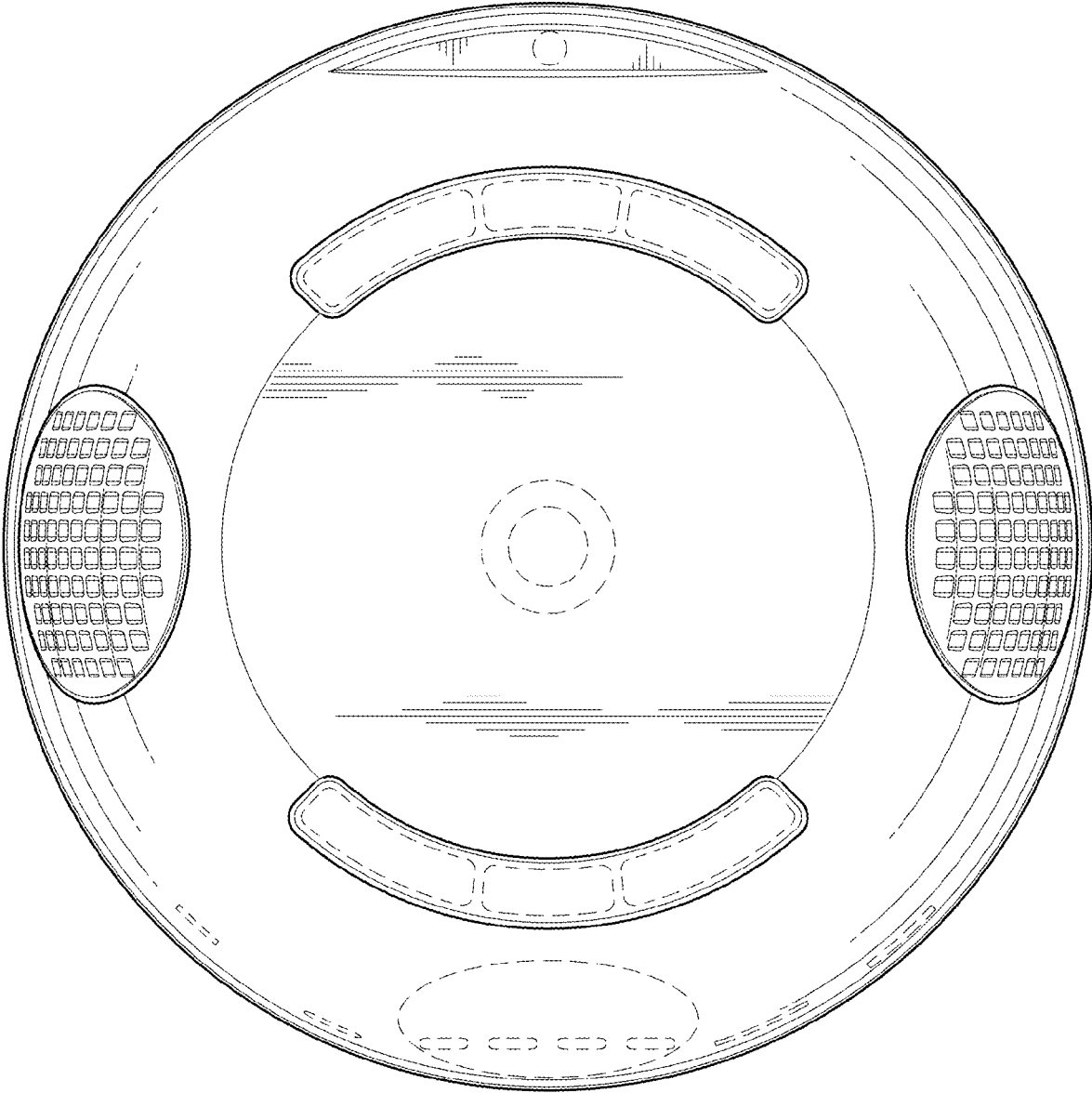


FIG. 7