



US0D1049353S

(12) **United States Design Patent**
Chen

(10) **Patent No.:** **US D1,049,353 S**

(45) **Date of Patent:** **** Oct. 29, 2024**

(54) **PORTABLE LIGHT WITH FAN**

FOREIGN PATENT DOCUMENTS

(71) Applicant: **ZTARX CORPORATION LIMITED**,
Shenzhen (CN)

CN 202130079802.7 * 8/2021
CN 202230461401.2 * 3/2023

(72) Inventor: **Songping Chen**, Shenzhen (CN)

OTHER PUBLICATIONS

(73) Assignee: **ZTARX CORPORATION LIMITED**,
Shenzhen (CN)

Ztarxefflatable, Folding Eflatable LED Fan, published on Sep. 19, 2022 [Online]. [instagram.com](https://www.instagram.com/p/Cir0m9cORYh/) [Retrieved on Aug. 10, 2023]. Retrieved: <URL:<https://www.instagram.com/p/Cir0m9cORYh/>> (Year: 2022).*

(**) Term: **15 Years**

* cited by examiner

(21) Appl. No.: **29/822,730**

Primary Examiner — Janice Hallmark

(22) Filed: **Jan. 11, 2022**

Assistant Examiner — Adedoyin Taiwo Odeyale

(30) **Foreign Application Priority Data**

Aug. 2, 2021 (CN) 202130496160.0

(51) **LOC (14) Cl.** **23-04**

(52) **U.S. Cl.**
USPC **D23/382**

(58) **Field of Classification Search**

USPC D23/370, 380–382, 411; D26/59
CPC ... F04D 29/005; F04D 25/0673; F04D 25/166
See application file for complete search history.

(57) **CLAIM**

The ornamental design for a portable light with fan as shown and described.

(56) **References Cited**

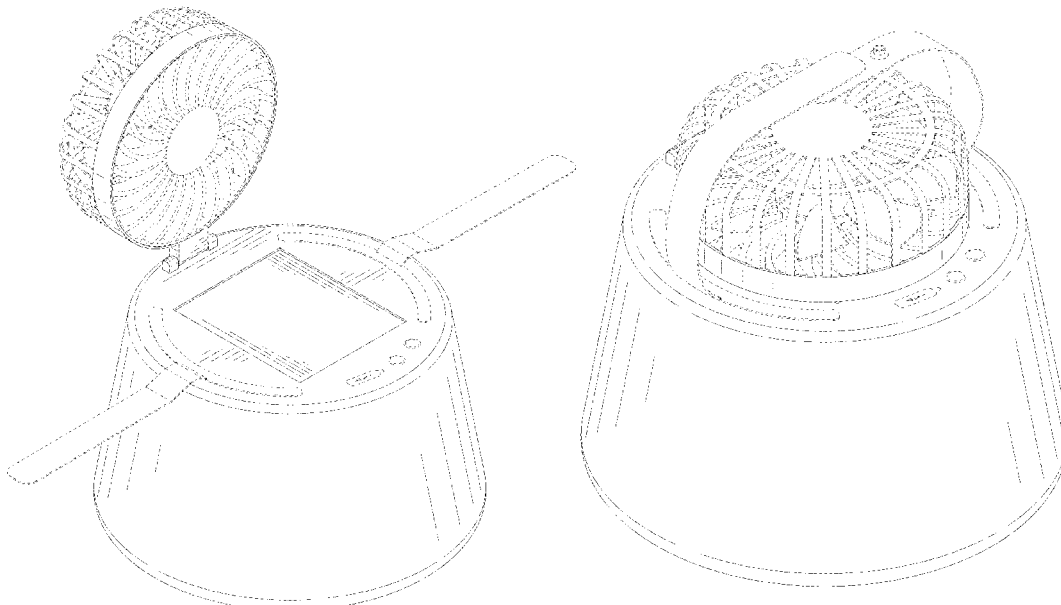
U.S. PATENT DOCUMENTS

D674,476 S * 1/2013 Junkel D23/370
D824,012 S * 7/2018 Xu D6/309
D868,327 S * 11/2019 Wu D26/59
D886,276 S * 6/2020 Zhu D23/370
D892,293 S * 8/2020 Okuhara D23/370
D921,878 S * 6/2021 Li D23/381
D934,407 S * 10/2021 Xiao D23/382
D986,401 S * 5/2023 Chen D23/382
2016/0076547 A1 * 3/2016 Chu F04D 29/52
417/411
2017/0276303 A1 * 9/2017 Chen F21V 23/0414

DESCRIPTION

FIG. 1 is a front elevational view of a portable light with fan showing my new design;
FIG. 2 is a rear elevational view thereof;
FIG. 3 is a left side elevational view thereof;
FIG. 4 is a right side elevational view thereof;
FIG. 5 is a top plan view thereof;
FIG. 6 is a bottom plan view thereof;
FIG. 7 is a perspective view thereof;
FIG. 8 is another perspective view thereof; and,
FIG. 9 is a perspective view of the portable light with fan where the portable light with fan is in a folded state.
The broken lines in the drawings depict portions of the portable light with fan that form no part of the claimed design.

1 Claim, 9 Drawing Sheets



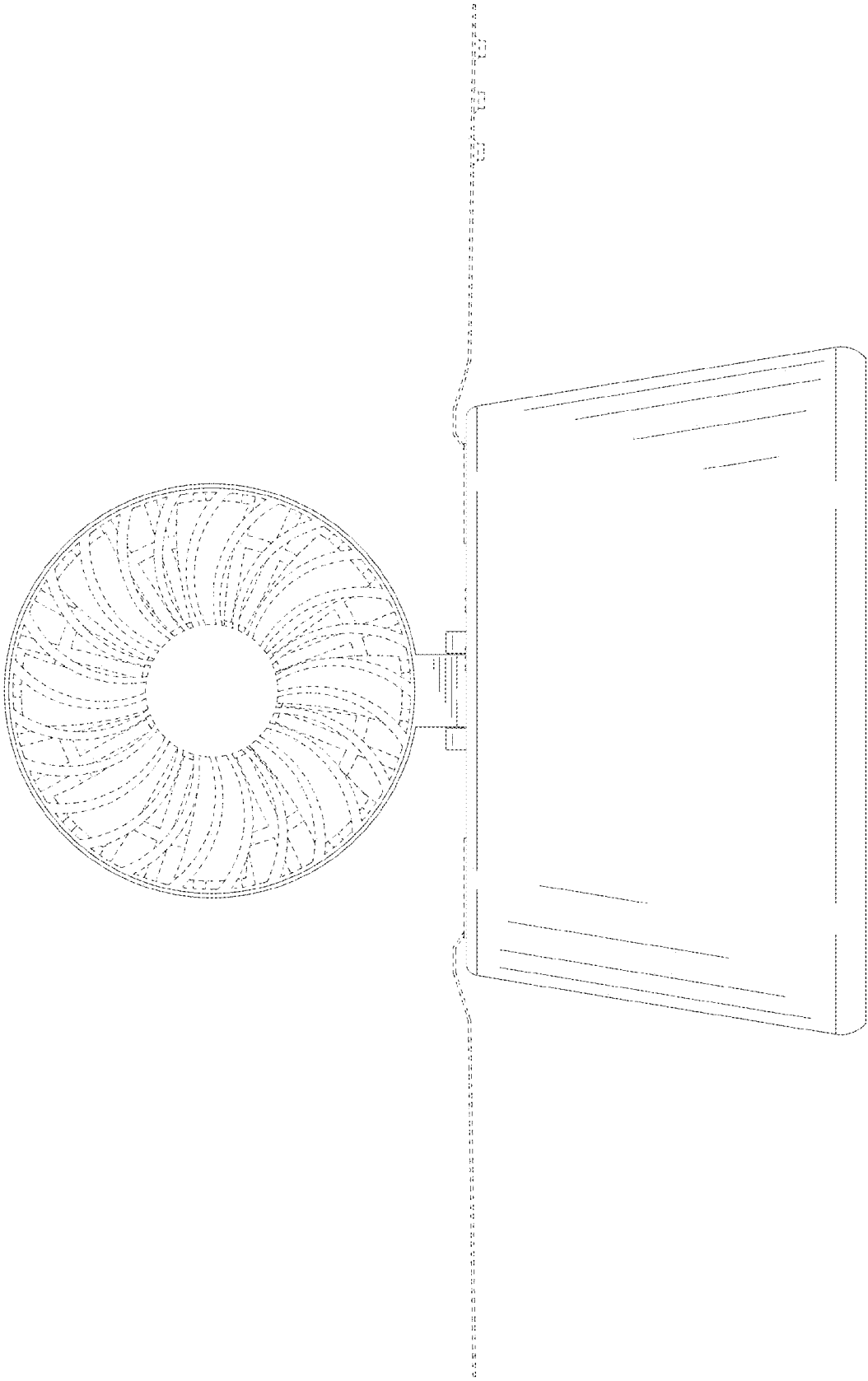


FIG. 1

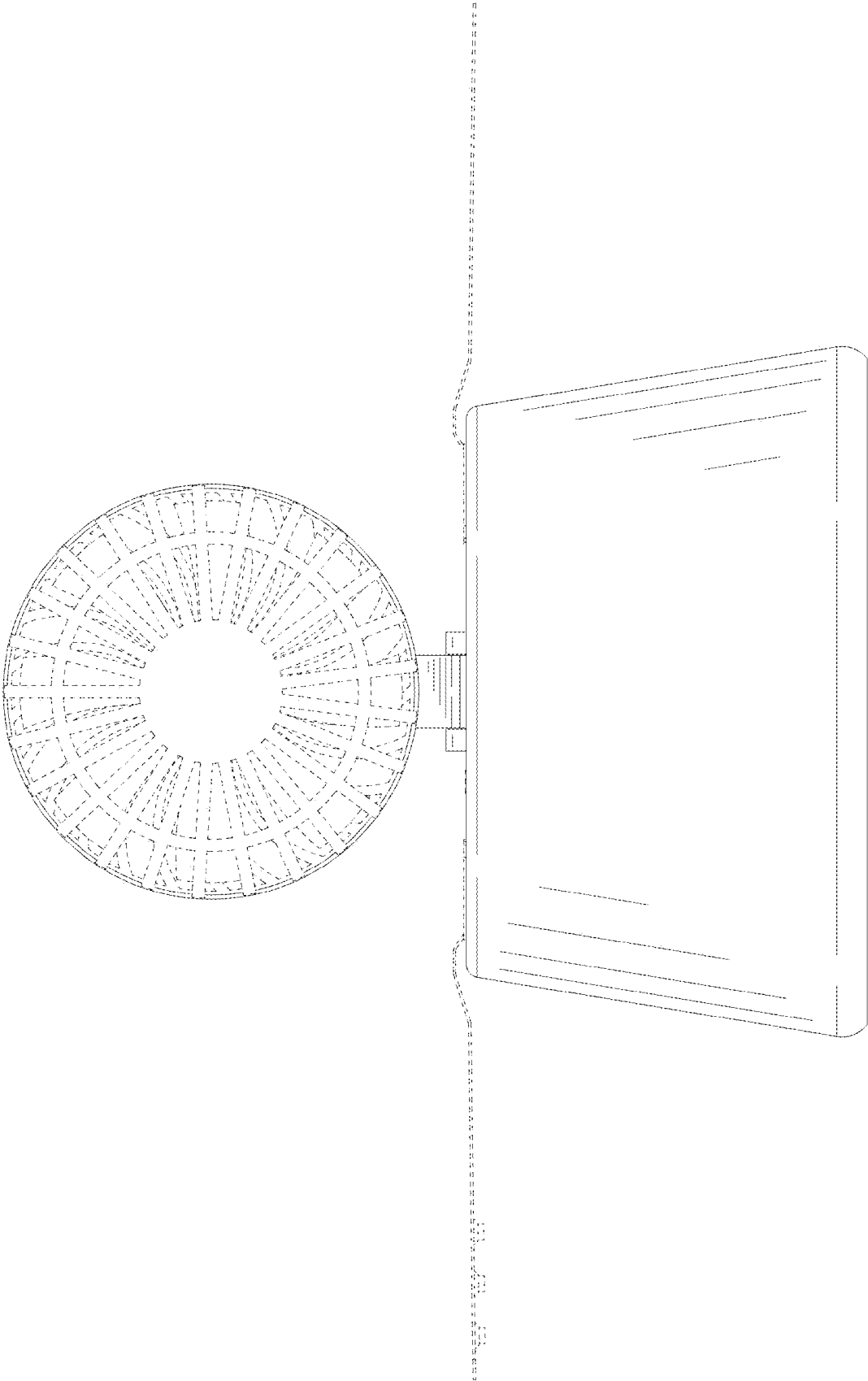


FIG. 2

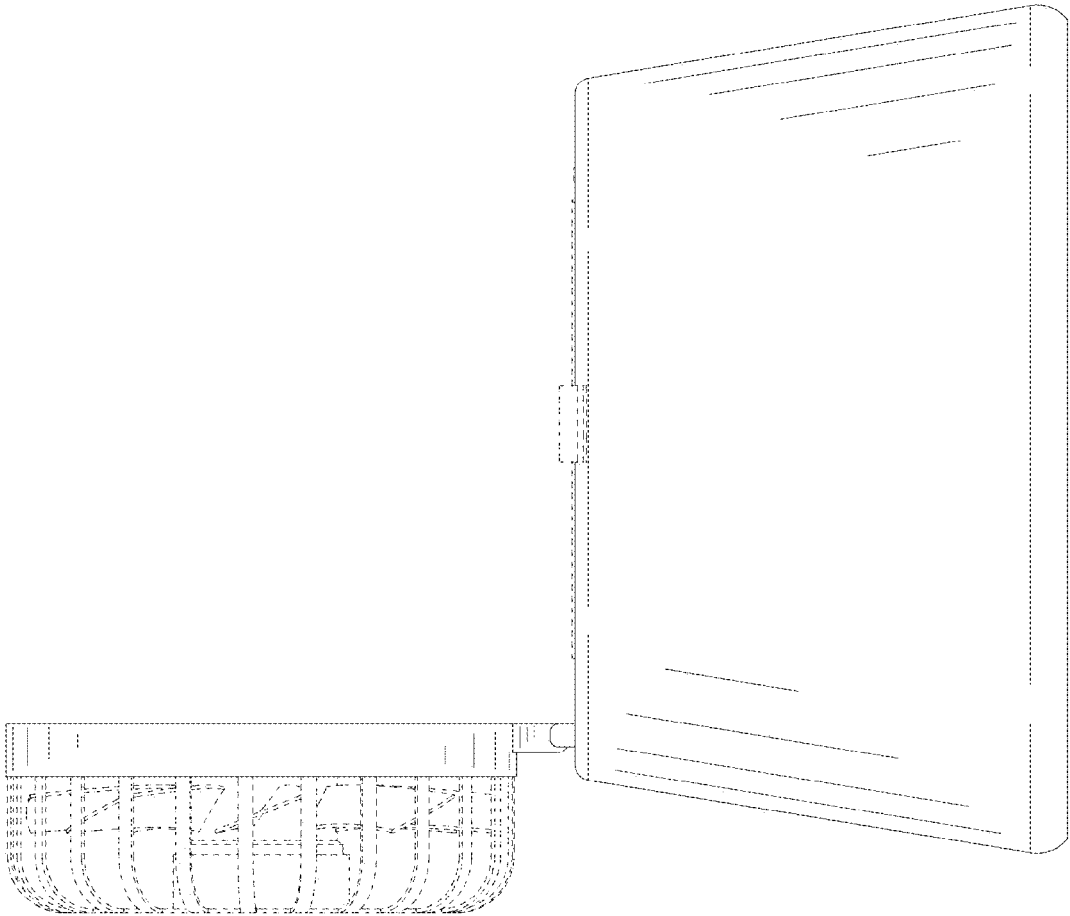


FIG. 3

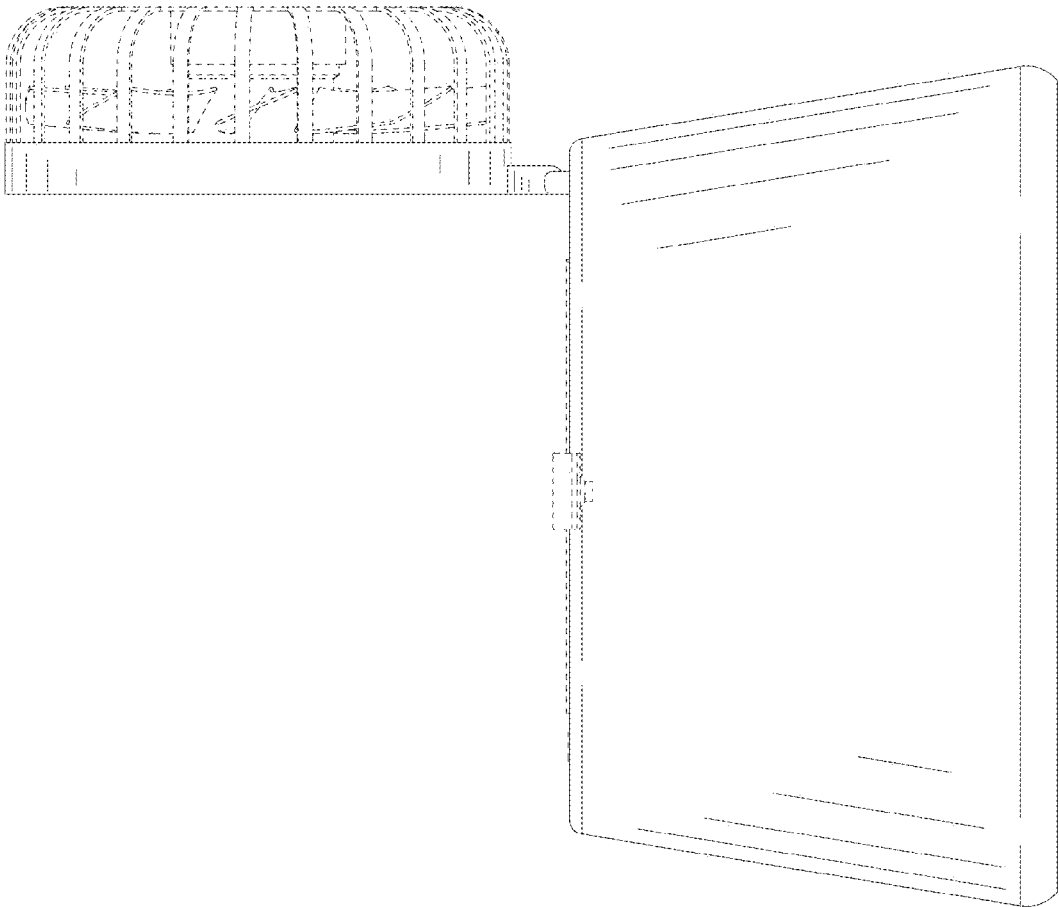


FIG. 4

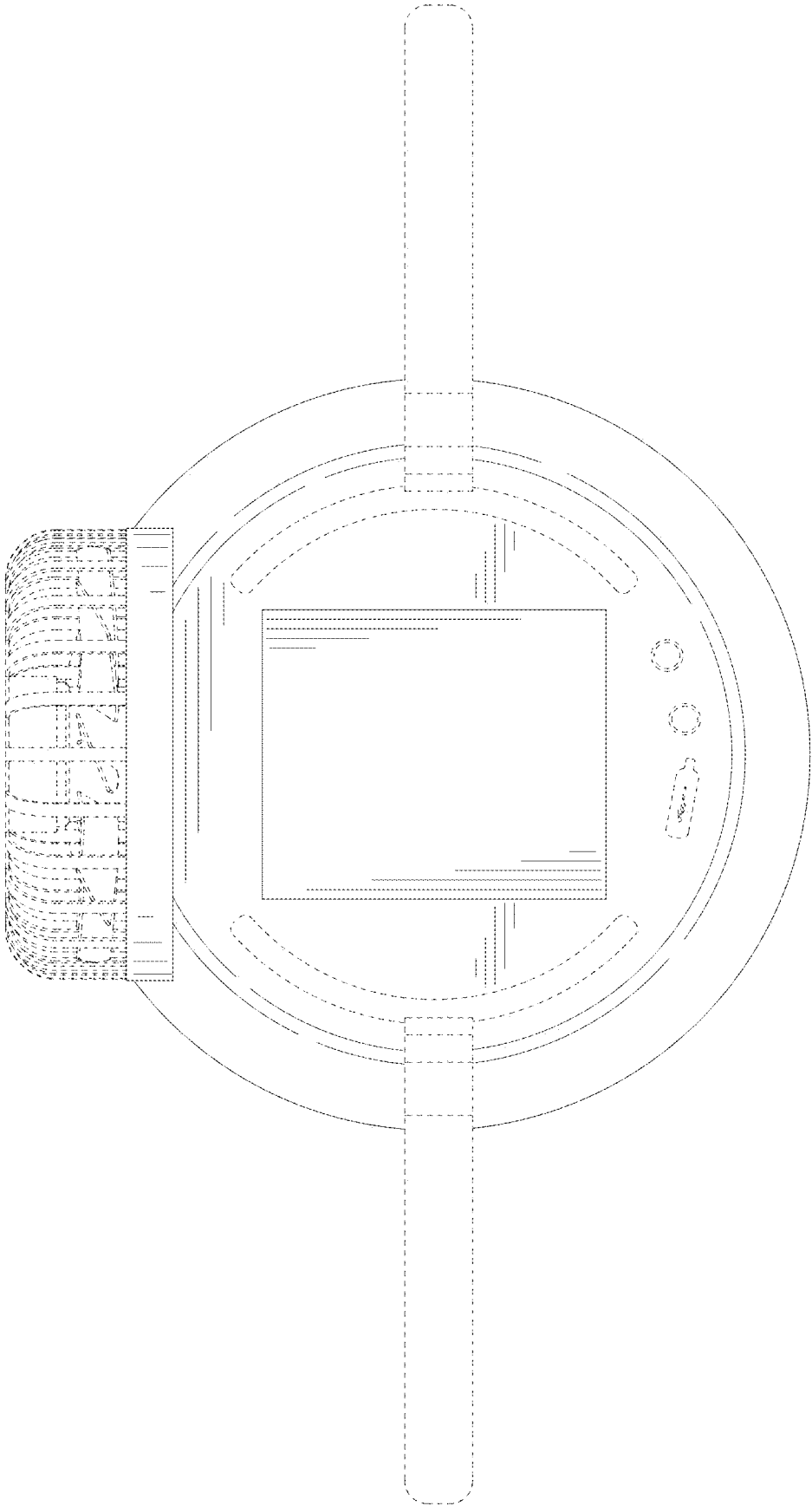


FIG. 5

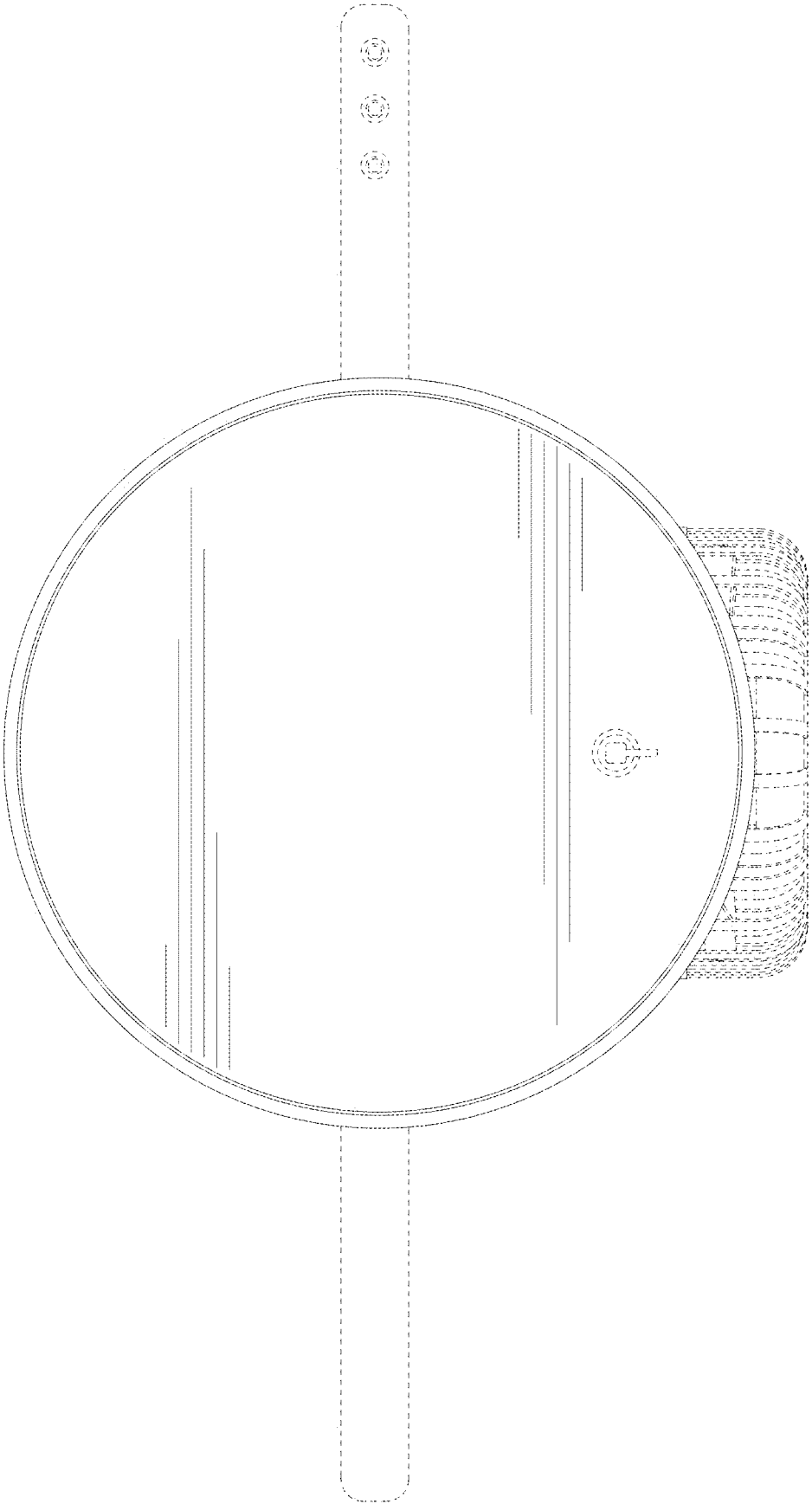


FIG. 6

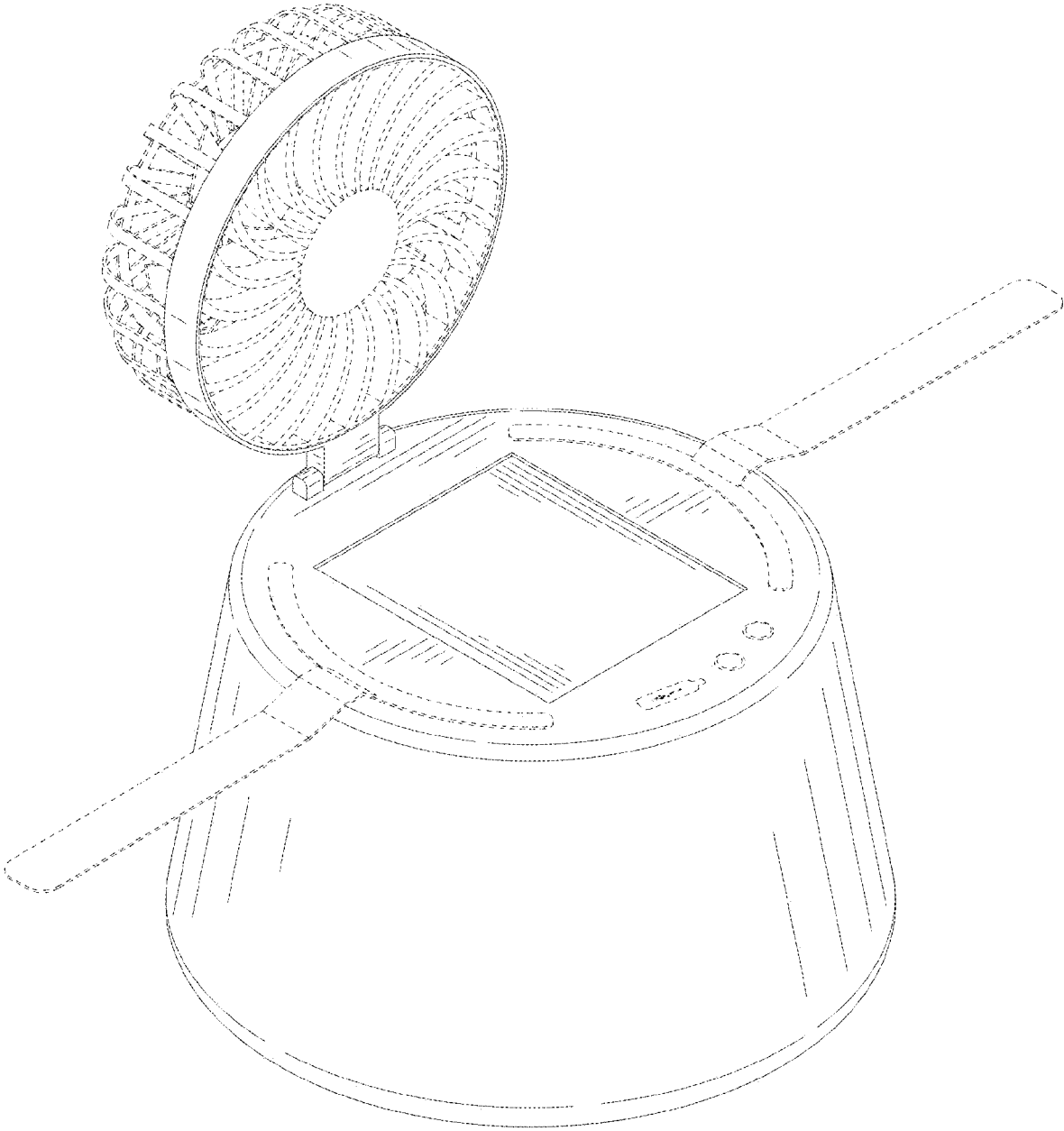


FIG. 7

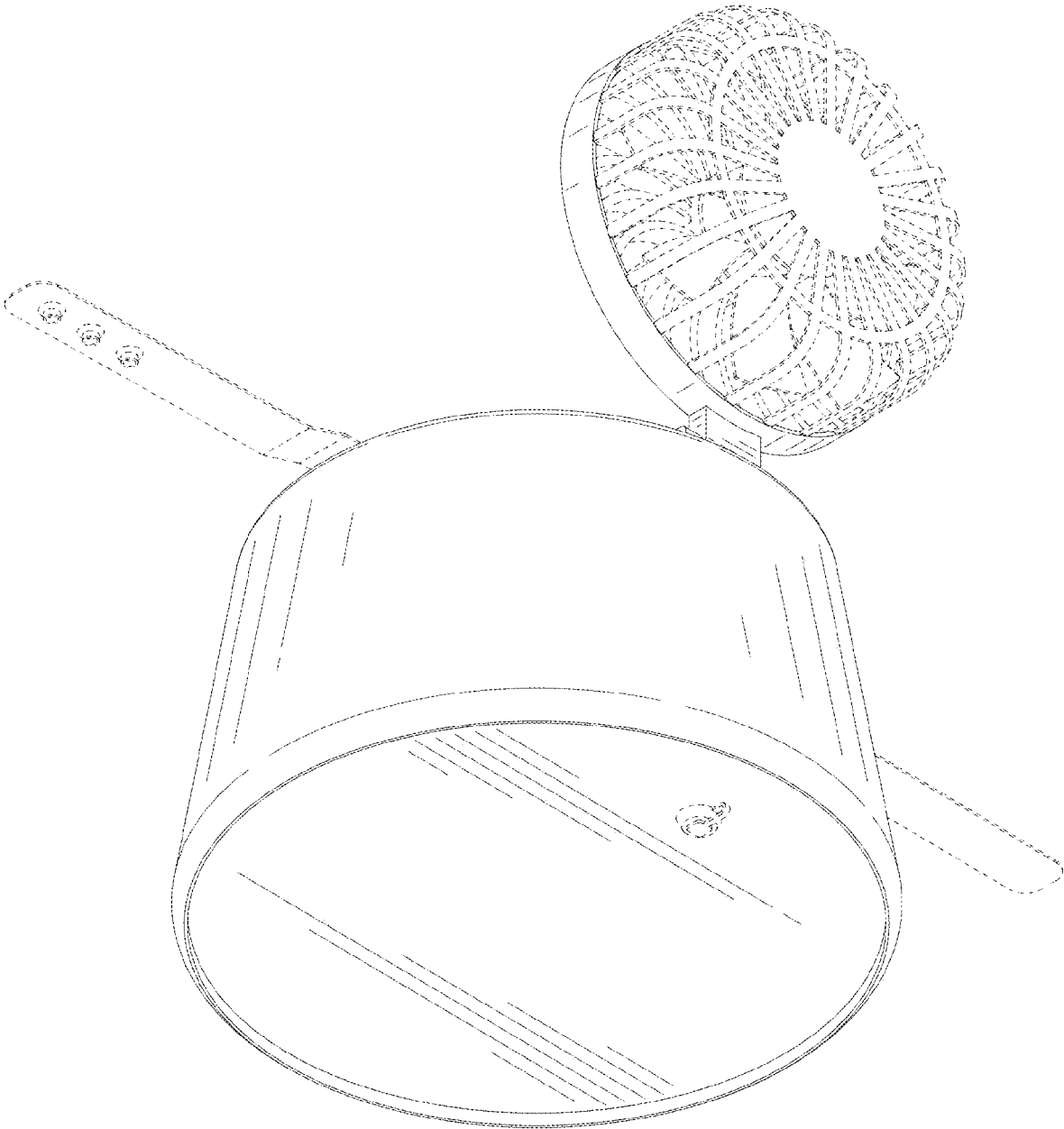


FIG. 8

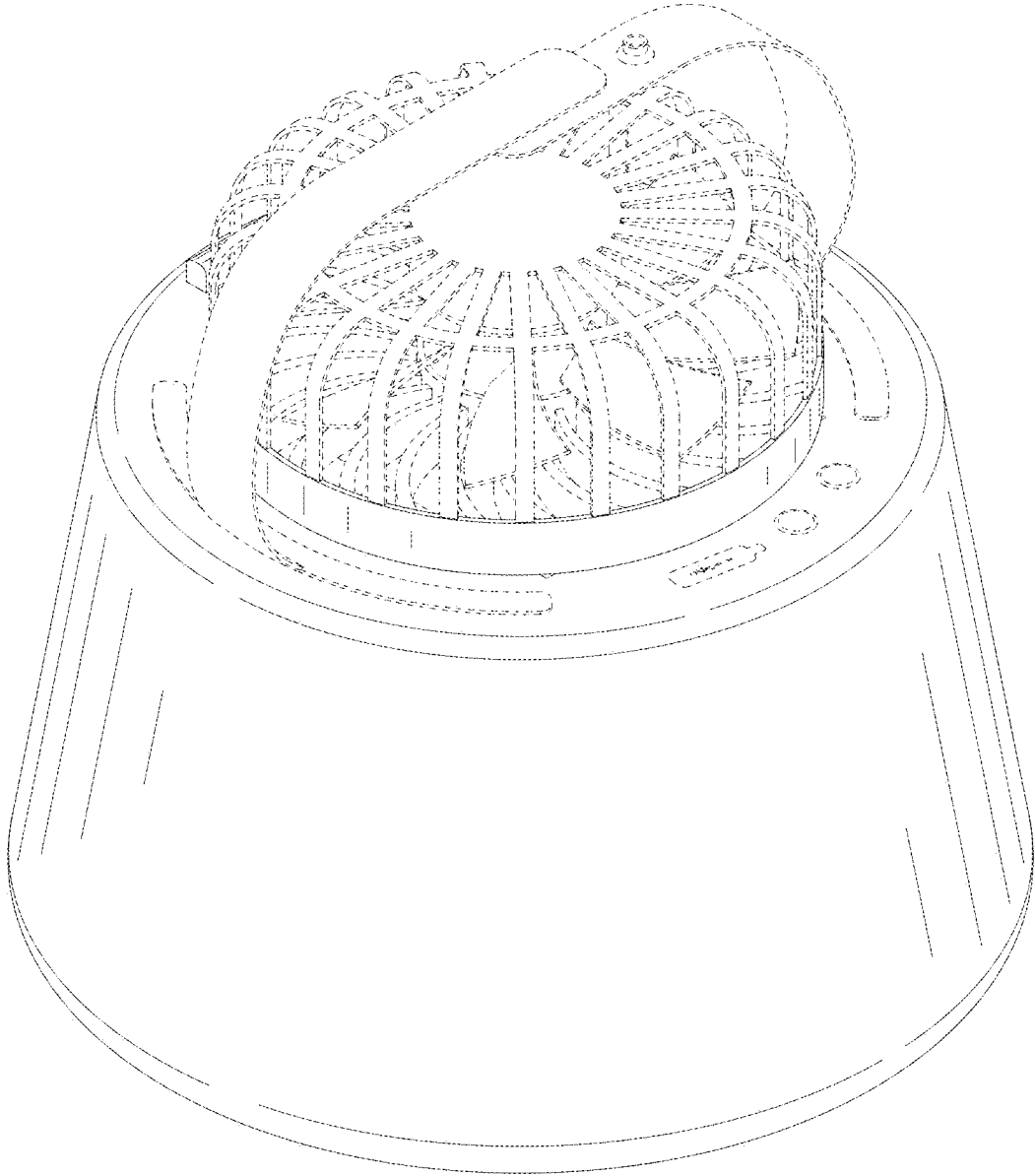


FIG. 9