



US00D464005S

(12) **United States Design Patent**
Labbe et al.

(10) **Patent No.:** **US D464,005 S**

(45) **Date of Patent:** **** Oct. 8, 2002**

- (54) **TIRE TREAD**
- (75) Inventors: **Christian Labbe**, Meix-le-tige (BE);
Claude Lardo, Luxembourg (LU)
- (73) Assignee: **The Goodyear Tire & Rubber Company**, Akron, OH (US)
- (**) Term: **14 Years**
- (21) Appl. No.: **29/118,705**
- (22) Filed: **Feb. 14, 2000**
- (51) **LOC (7) Cl.** **12-15**
- (52) **U.S. Cl.** **D12/147**
- (58) **Field of Search** D12/134-152;
152/209.1, 209.3, 209.9, 209.16, 209.18,
209.25, 209.27, 902

D314,737 S	2/1991	Covert et al.	D12/147
D318,036 S	7/1991	Maxwell et al.	D12/147
D379,785 S	* 6/1997	Galante et al.	D12/146
D380,182 S	6/1997	Matsuda et al.	D12/146
D384,609 S	* 10/1997	Gillard et al.	D12/146
D391,211 S	2/1998	Maxwell	D12/151

* cited by examiner

Primary Examiner—Robert M. Spear

(74) *Attorney, Agent, or Firm*—David L. King

(57) **CLAIM**

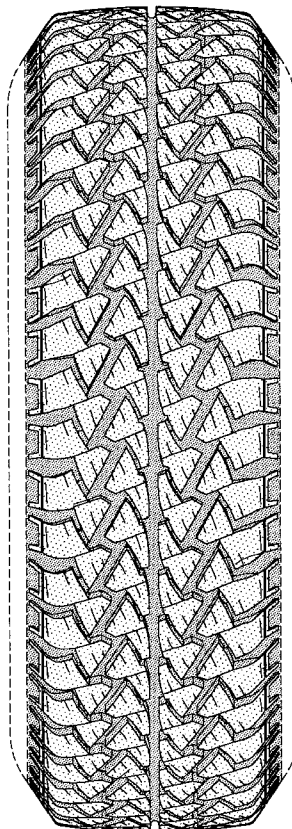
The ornamental Design for a tire tread, as shown and described.

DESCRIPTION

FIG. 1 is a perspective view of a tire tread showing our new design, it being understood that the pattern repeats uniformly throughout the circumference of the tread; FIG. 2 is a front elevational view thereof; FIG. 3 is a side elevational view thereof, the opposite side elevational view being identical thereto; and, FIG. 4 is an enlarged fragmentary perspective view. In the drawings, the broken lines defining the inner bead of the sidewall and the peripheral boundary between the tire tread and the sidewall are for illustrative purposes only and form no part of the claimed design.

- (56) **References Cited**
- U.S. PATENT DOCUMENTS
- D237,375 S 10/1975 Smajd D12/142
- 4,424,843 A 1/1984 Fontaine et al. 152/209 R
- D272,999 S 3/1984 Nagayasu D12/146
- D278,423 S 4/1985 Baus D12/147
- D283,212 S 4/1986 Martini et al. D12/143
- D298,115 S 10/1988 Kuroda D12/146
- 4,807,679 A 2/1989 Collette et al. 152/209 R
- D303,516 S 9/1989 Arredondo, Jr. D12/209

1 Claim, 4 Drawing Sheets



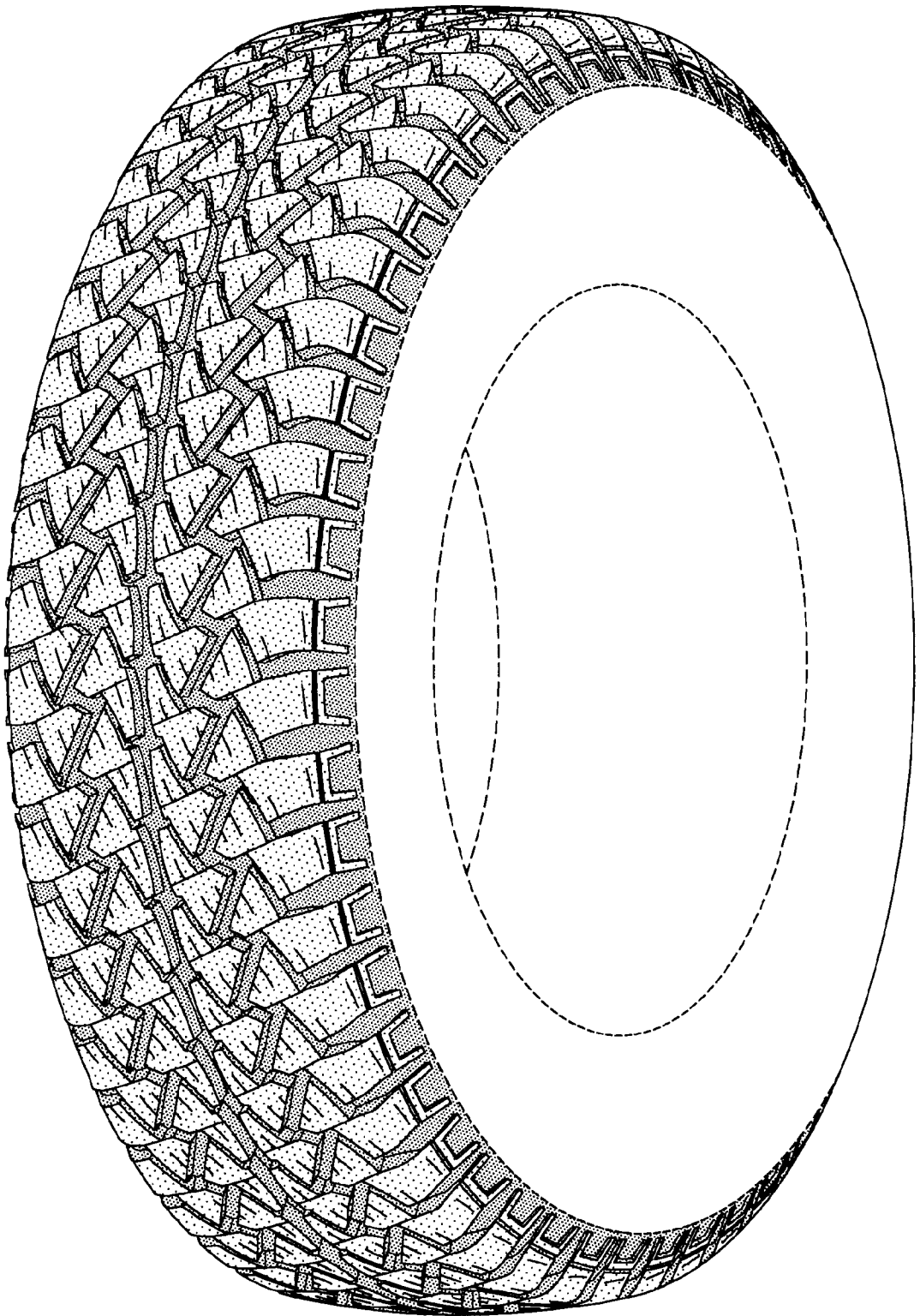


FIG-1

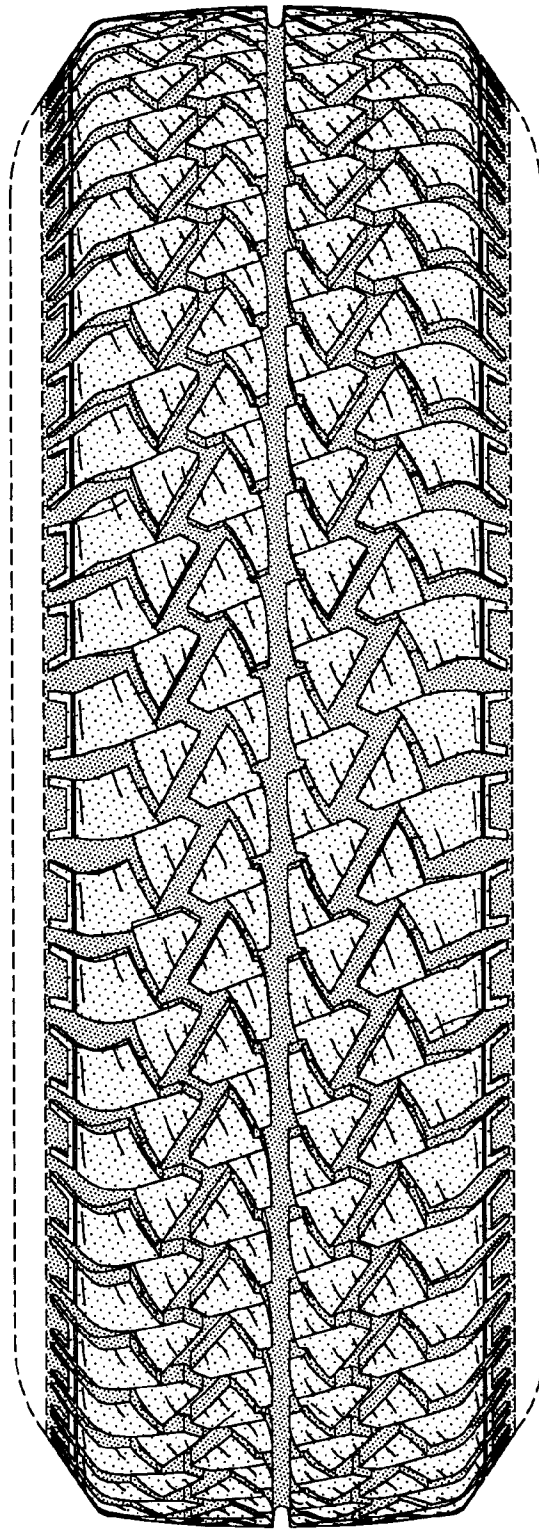


FIG-2

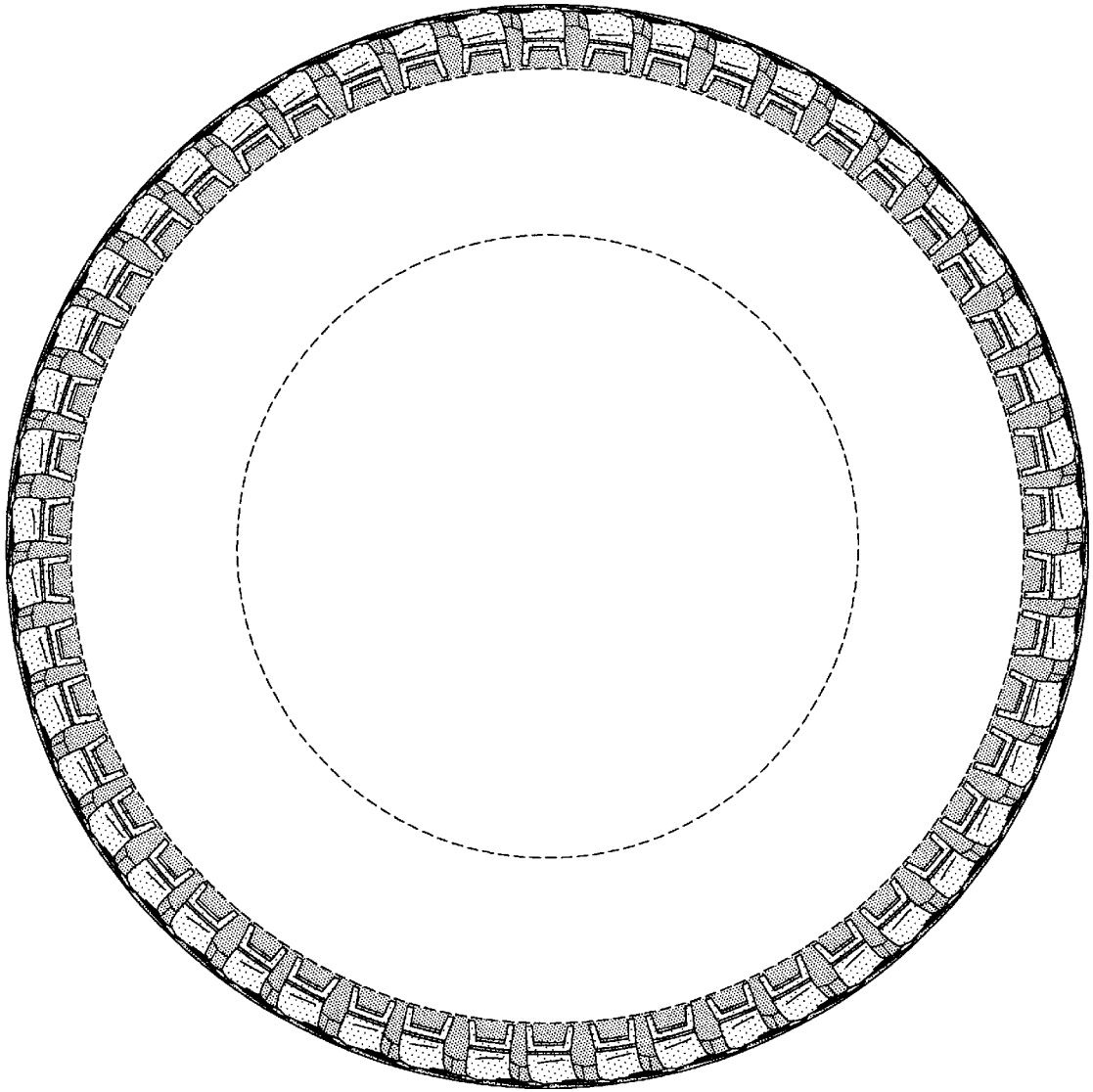


FIG-3

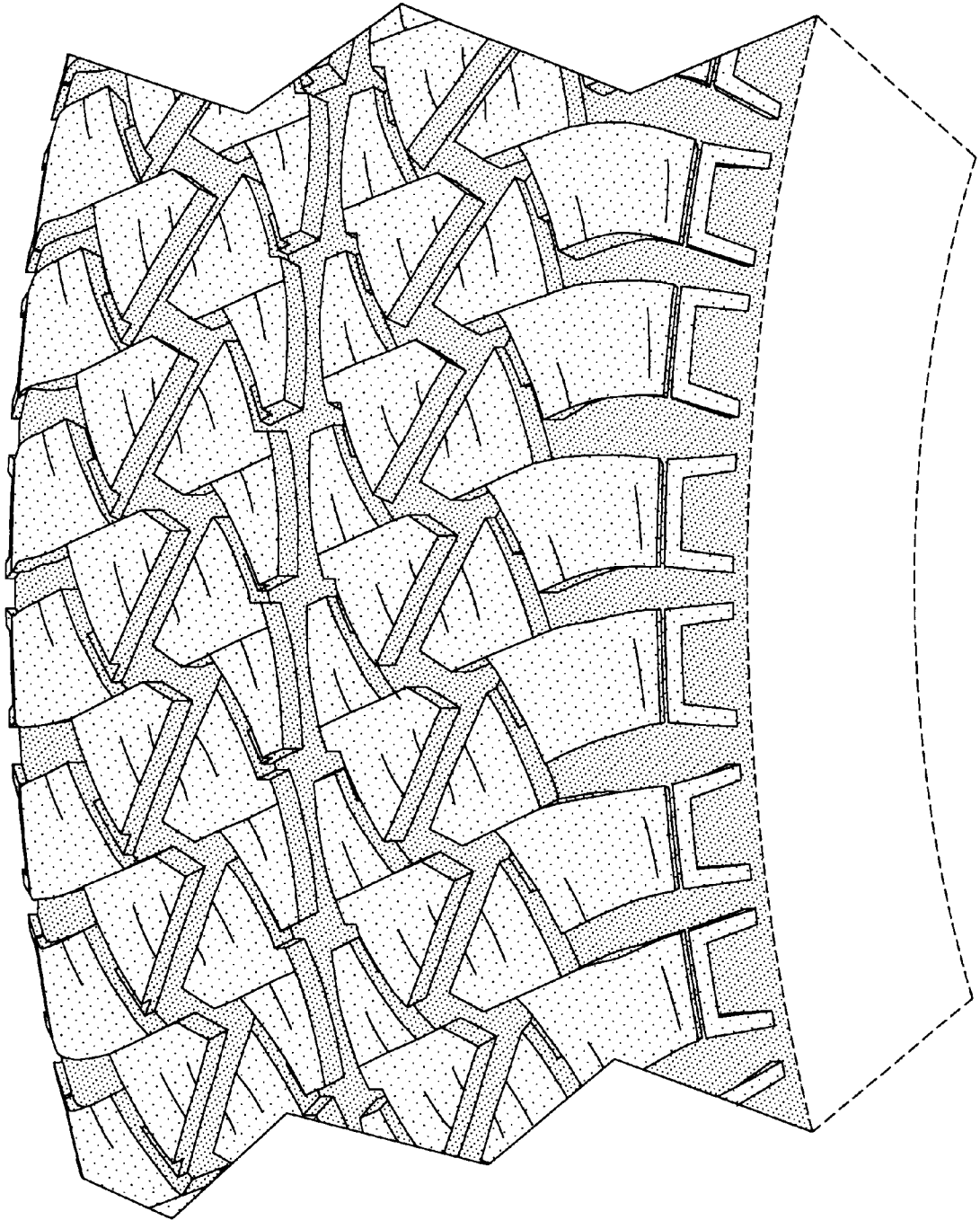


FIG-4