

(12) INTERNATIONAL APPLICATION PUBLISHED UNDER THE PATENT COOPERATION TREATY (PCT)

(19) World Intellectual Property Organization
International Bureau



(43) International Publication Date
14 February 2002 (14.02.2002)

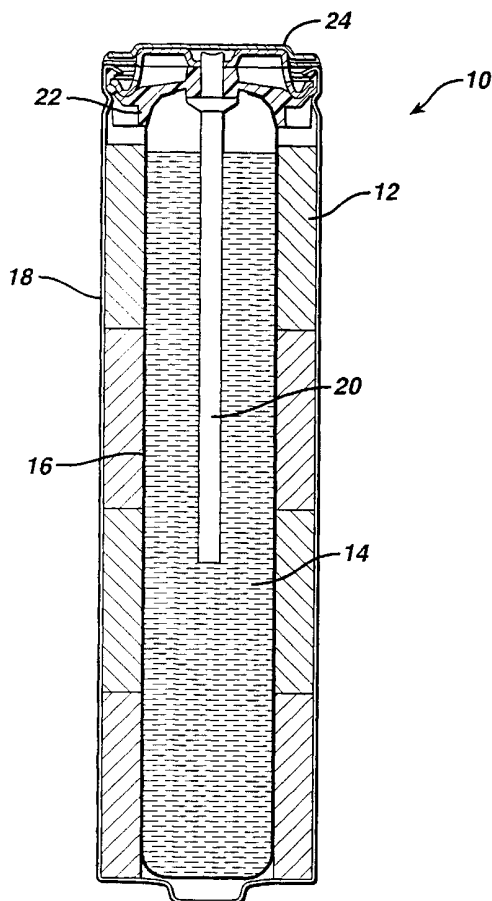
PCT

(10) International Publication Number
WO 02/13293 A3

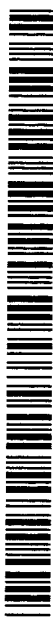
- (51) International Patent Classification⁷: H01M 4/52, 4/62, 6/04, 4/32
- (21) International Application Number: PCT/US01/41527
- (22) International Filing Date: 3 August 2001 (03.08.2001)
- (25) Filing Language: English
- (26) Publication Language: English
- (30) Priority Data:
09/633,067 4 August 2000 (04.08.2000) US
- (63) Related by continuation (CON) or continuation-in-part (CIP) to earlier application:
US 09/633,067 (CON)
Filed on 4 August 2000 (04.08.2000)
- (71) Applicant (for all designated States except US): THE GILLETTE COMPANY [US/US]; Prudential Tower Building, Boston, MA 02199 (US).
- (72) Inventors; and
- (75) Inventors/Applicants (for US only): WANG, Francis [US/US]; 1123 Avalon Valley Dr., Danbury, CT 06810 (US). WANG, Enoch [US/US]; 26 Highland Avenue, Mansfield, MA 02048 (US). TRAINER, Philip [US/US]; 9 Winesap Road, Sandy Hook, CT 06489 (US). WEI, Guang [US/US]; 5 Clemmons Street, Southboro, MA 01772 (US).
- (74) Agents: HANDELMAN, Joseph, H. et al.; Ladas & Parry, 26 West 61st Street, New York, NY 10023 (US).
- (81) Designated States (national): AE, AG, AL, AM, AT, AU, AZ, BA, BB, BG, BR, BY, BZ, CA, CH, CN, CO, CR, CU, CZ, DE, DK, DM, DZ, EC, EE, ES, FI, GB, GD, GE, GH,

[Continued on next page]

(54) Title: BATTERY CATHODE WITH NICKEL OXYHYDROXIDE



(57) Abstract: An alkaline battery has a cathode including a nickel oxyhydroxide. The cathode can include a cobalt oxyhydroxide-modified nickel oxyhydroxide or non-fractured nickel oxyhydroxide.



WO 02/13293 A3



GM, HR, HU, ID, IL, IN, IS, JP, KE, KG, KP, KR, KZ, LC, LK, LR, LS, LT, LU, LV, MA, MD, MG, MK, MN, MW, MX, MZ, NO, NZ, PL, PT, RO, RU, SD, SE, SG, SI, SK, SL, TJ, TM, TR, TT, TZ, UA, UG, US, UZ, VN, YU, ZA, ZW.

CG, CI, CM, GA, GN, GQ, GW, ML, MR, NE, SN, TD, TG).

Published:

— with international search report

(84) Designated States (regional): ARIPO patent (GH, GM, KE, LS, MW, MZ, SD, SL, SZ, TZ, UG, ZW), Eurasian patent (AM, AZ, BY, KG, KZ, MD, RU, TJ, TM), European patent (AT, BE, CH, CY, DE, DK, ES, FI, FR, GB, GR, IE, IT, LU, MC, NL, PT, SE, TR), OAPI patent (BF, BJ, CF,

(88) Date of publication of the international search report:

23 May 2002

For two-letter codes and other abbreviations, refer to the "Guidance Notes on Codes and Abbreviations" appearing at the beginning of each regular issue of the PCT Gazette.

INT NATIONAL SEARCH REPORT

International Application No
PCT/US 01/41527

A. CLASSIFICATION OF SUBJECT MATTER
IPC 7 H01M4/52 H01M4/62 H01M6/04 H01M4/32

According to International Patent Classification (IPC) or to both national classification and IPC

B. FIELDS SEARCHED
Minimum documentation searched (classification system followed by classification symbols)
IPC 7 H01M

Documentation searched other than minimum documentation to the extent that such documents are included in the fields searched

Electronic data base consulted during the international search (name of data base and, where practical, search terms used)
EPO-Internal, INSPEC, PAJ, WPI Data

C. DOCUMENTS CONSIDERED TO BE RELEVANT

Category *	Citation of document, with indication, where appropriate, of the relevant passages	Relevant to claim No.
A	EP 0 800 222 A (JAPAN STORAGE BATTERY CO LTD) 8 October 1997 (1997-10-08) column 6, line 9 - line 15 column 8, line 7 - line 48 column 10, line 2 - line 14 claims 1,2,6,7,9 ---	1,2, 7-10,26, 28,40
A	US 3 911 094 A (MEGAHED EL SAYED ET AL) 7 October 1975 (1975-10-07) column 2, line 13 - line 29 column 2, line 68 - column 3, line 5 examples 1,2 claim 1 ---	1,5,6, 11,12, 16,20, 21,23, 26,32, 36,40
	-/--	

Further documents are listed in the continuation of box C. Patent family members are listed in annex.

* Special categories of cited documents :

- *A* document defining the general state of the art which is not considered to be of particular relevance
- *E* earlier document but published on or after the international filing date
- *L* document which may throw doubts on priority claim(s) or which is cited to establish the publication date of another citation or other special reason (as specified)
- *O* document referring to an oral disclosure, use, exhibition or other means
- *P* document published prior to the international filing date but later than the priority date claimed
- *T* later document published after the international filing date or priority date and not in conflict with the application but cited to understand the principle or theory underlying the invention
- *X* document of particular relevance: the claimed invention cannot be considered novel or cannot be considered to involve an inventive step when the document is taken alone
- *Y* document of particular relevance: the claimed invention cannot be considered to involve an inventive step when the document is combined with one or more other such documents, such combination being obvious to a person skilled in the art.
- *Z* document member of the same patent family

Date of the actual completion of the international search 28 February 2002	Date of mailing of the international search report 08/03/2002
---	--

Name and mailing address of the ISA European Patent Office, P.B. 5818 Patentlaan 2 NL - 2280 HV Rijswijk Tel. (+31-70) 340-2040, Tx. 31 651 epo nl, Fax: (+31-70) 340-3016	Authorized officer Métais, S
--	-------------------------------------

INTERNATIONAL SEARCH REPORT

International Application No
PCT/US 01/41527

C.(Continuation) DOCUMENTS CONSIDERED TO BE RELEVANT		
Category °	Citation of document, with indication, where appropriate, of the relevant passages	Relevant to claim No.
A	<p>EP 0 337 029 A (YUASA BATTERY CO LTD) 18 October 1989 (1989-10-18)</p> <p>page 4, line 4 - line 20 page 5, line 55 - line 58 claims 1,3,5 figure 1</p>	<p>1,2, 7-10, 16-18, 22,26, 28,32, 34,36,40</p>
A	<p>US 6 020 088 A (SINGH DEEPIKA B) 1 February 2000 (2000-02-01)</p> <p>column 3, line 15 - line 30 column 4, line 25 -column 5, line 12 column 6, line 58 -column 7, line 15 example 1 claims 1,20,31,74</p>	<p>1,11,16, 26,27, 32,33, 36-38</p>

INT. NATIONAL SEARCH REPORT

Information on patent family members

International Application No

PCT/US 01/41527

Patent document cited in search report	A	Publication date	Patent family member(s)	Publication date
EP 0800222	A	08-10-1997	JP 9270253 A EP 0800222 A1 US 5783334 A	14-10-1997 08-10-1997 21-07-1998

US 3911094	A	07-10-1975	NONE	

EP 0337029	A	18-10-1989	JP 1260762 A JP 7024218 B DE 3888163 D1 DE 3888163 T2 EP 0337029 A2 US 4844999 A	18-10-1989 15-03-1995 07-04-1994 16-06-1994 18-10-1989 04-07-1989

US 6020088	A	01-02-2000	AU 1528099 A CN 1286812 T EP 1031167 A1 TW 441144 B WO 9926303 A1	07-06-1999 07-03-2001 30-08-2000 16-06-2001 27-05-1999
