



US00D829187S

(12) **United States Design Patent**
Zhang

(10) **Patent No.:** **US D829,187 S**

(45) **Date of Patent:** **** Sep. 25, 2018**

(54) **MULTI-MODE SMART PHONE**

(71) Applicant: **LENOVO (BEIJING) CO., LTD.**,
Beijing (CN)

(72) Inventor: **Shu Zhang**, Beijing (CN)

(73) Assignee: **Lenovo (Beijing) Co., Ltd.**, Beijing
(CN)

(**) Term: **15 Years**

(21) Appl. No.: **29/615,114**

(22) Filed: **Aug. 25, 2017**

Related U.S. Application Data

(62) Division of application No. 29/529,404, filed on Jun. 5, 2015.

(30) **Foreign Application Priority Data**

Dec. 19, 2014 (CN) 2014 3 0540550

(51) **LOC (11) Cl.** **14-03**

(52) **U.S. Cl.**
USPC **D14/138 G**

(58) **Field of Classification Search**
USPC D14/138 AA, 138 AB, 138 AC, 138 AD,
D14/138 C, 138 R, 138 G, 248, 341, 342,
(Continued)

(56) **References Cited**

U.S. PATENT DOCUMENTS

3,779,851 A * 12/1973 Hertz B29C 70/04
156/182
D313,809 S * 1/1991 Obara D16/209
(Continued)

OTHER PUBLICATIONS

Sony Xperia L1, Jun. 2017, [online], [site visited Apr. 5, 2018]. Retrieved from url:https://www.gsmarena.com/sony_xperia_11-pictures-8619.php.*

(Continued)

Primary Examiner — Jeffrey D Asch

Assistant Examiner — Tracey J Bell

(74) *Attorney, Agent, or Firm* — Oppedahl Patent Law Firm LLC

(57) **CLAIM**

The ornamental design for a multi-mode smart phone, as shown and described.

DESCRIPTION

FIG. 1 is a front view of the new design for a multi-mode smart phone.

FIG. 2 is a rear view of the new design for a multi-mode smart phone.

FIG. 3 is a left side view of the new design for a multi-mode smart phone.

FIG. 4 is a right side view of the new design for a multi-mode smart phone.

FIG. 5 is a top view of the new design for a multi-mode smart phone.

FIG. 6 is a bottom view of the new design for a multi-mode smart phone.

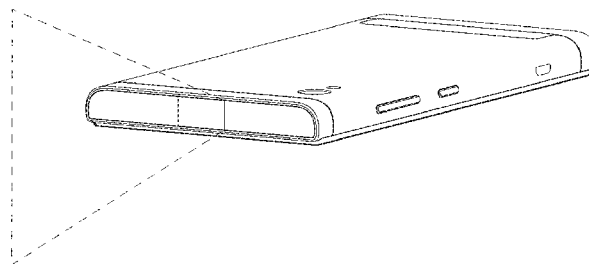
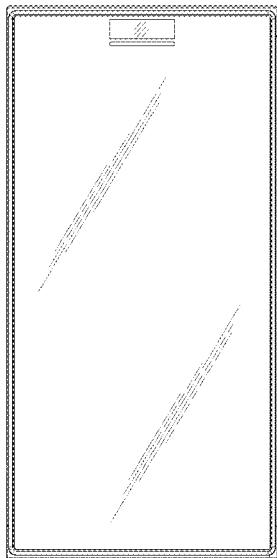
FIG. 7 is a perspective view of the new design for a multi-mode smart phone.

FIG. 8 is another perspective view of the new design for a multi-mode smart phone, shown only in this view with the rear stand extended; and,

FIG. 9 is another perspective view of the new design for a multi-mode smart phone.

The broken lines shown in FIGS. 8 and 9 illustrate projector effects and do not form part of the claimed design.

1 Claim, 9 Drawing Sheets



(58) **Field of Classification Search**
 USPC ... D14/345, 203.7, 350, 347, 496, 388, 389;
 D21/329
 CPC G06F 1/1652; G06F 1/1626; G06F 1/1641;
 G06F 1/1647; H04M 1/027; H04M
 1/0202; H04M 1/0279; H04M 1/0235;
 H04M 1/0237; H04M 1/0239; H04M
 1/0266; H04M 1/0295; H04M 1/0268
 See application file for complete search history.

(56) **References Cited**

U.S. PATENT DOCUMENTS

5,102,129 A * 4/1992 Roberts A63B 5/22
 273/239
 D342,961 S * 1/1994 Hamamura D16/209
 D359,747 S * 6/1995 Furuno D16/209
 D370,923 S * 6/1996 Hayashi D16/209
 D371,550 S * 7/1996 Tomkowicz D14/426
 D381,998 S * 8/1997 Koinuma D16/209
 D387,790 S * 12/1997 Kondo D16/209
 D397,996 S * 9/1998 Smith D13/108
 D404,411 S * 1/1999 Swayze D16/202
 D415,508 S * 10/1999 Shinano D16/202
 D430,183 S * 8/2000 Ito D16/202
 D584,694 S * 1/2009 Greitzke D13/168
 D643,034 S * 8/2011 Tasselli D14/347
 D661,277 S * 6/2012 Kim D14/138 G
 D673,201 S * 12/2012 Nakamura D16/200
 D677,641 S * 3/2013 Sutherland D14/138 G
 D683,325 S * 5/2013 Sugiyama D14/138 G
 D688,639 S * 8/2013 Tsai D14/138 G
 D692,846 S * 11/2013 Lee D14/138 G
 D698,746 S * 2/2014 Kaneta D14/138 G
 D706,254 S * 6/2014 Chang D14/217
 D712,865 S * 9/2014 Mauritzson D14/138 G

D716,294 S * 10/2014 Park D14/341
 D716,302 S * 10/2014 Delgado D14/138 G
 D721,345 S * 1/2015 Lee D14/138 G
 D736,205 S * 8/2015 Park D14/138 R
 D737,795 S * 9/2015 Huang D14/138 G
 D742,335 S * 11/2015 Yamaguchi D10/49
 D749,162 S * 2/2016 Roth D16/218
 D749,534 S * 2/2016 Liu D14/138 G
 D753,087 S * 4/2016 Cai D14/138 AB
 D762,607 S * 8/2016 Yoon D14/138 G
 D770,409 S * 11/2016 Jing D14/138 G
 D787,467 S * 5/2017 Xu D14/138 C
 D788,728 S * 6/2017 Kim D14/138 AA
 D790,534 S * 6/2017 Paschke D14/341
 2010/0045569 A1* 2/2010 Estevez G03B 21/10
 345/3.1
 2015/0254485 A1* 9/2015 Feng H04M 1/0202
 455/556.1

OTHER PUBLICATIONS

ZTE Grand S II pictures, official photos, Dec. 2014, [online], [site visited Nov. 18, 2016]. Retrieved from <url:http://www.gsmarena.com/zte_grand_s_ii-pictures-6847.php>.*
 Lenovo A6000 pictures, official photos, Jan. 2015, [online], [site visited Nov. 18, 2016]. Retrieved from <url:http://www.gsmarena.com/lenovo_a6000-pictures-6938.php>.*
 Lenovo Tech World—Smart Cast, May 27, 2015, [online], [site visited Nov. 18, 2016]. Retrieved from <url:https://www.youtube.com/watch?v=JwBemlU18dk>.*
 Samsung I8530 Galaxy Beam pictures, official photos, Jul. 2012 [online], [site visited Dec. 6, 2016]. Retrieved from <url:http://www.gsmarena.com/samsung_i8530_galaxy_beam-pictures-4566.php>.*

* cited by examiner

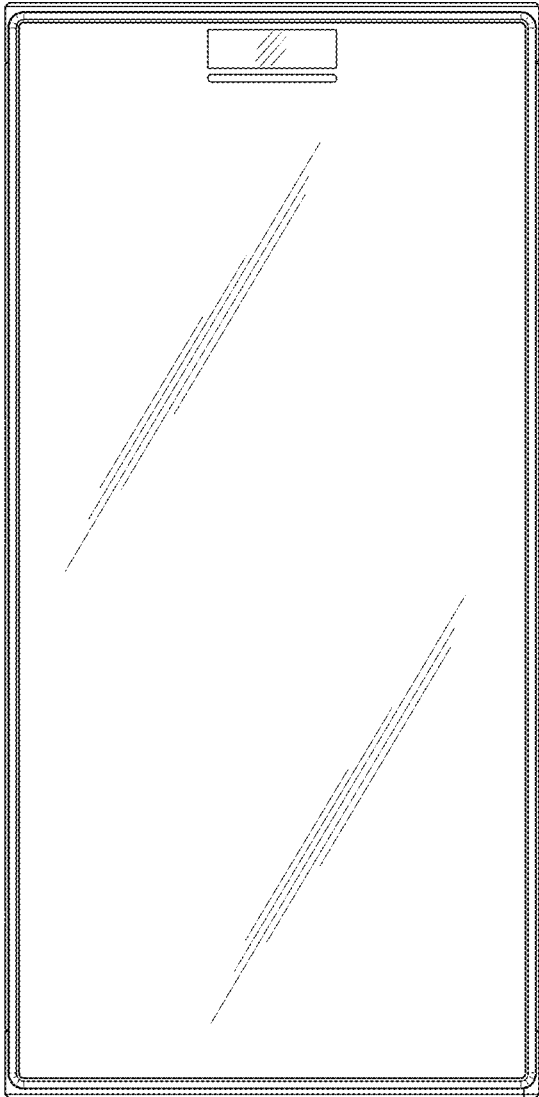


Figure 1

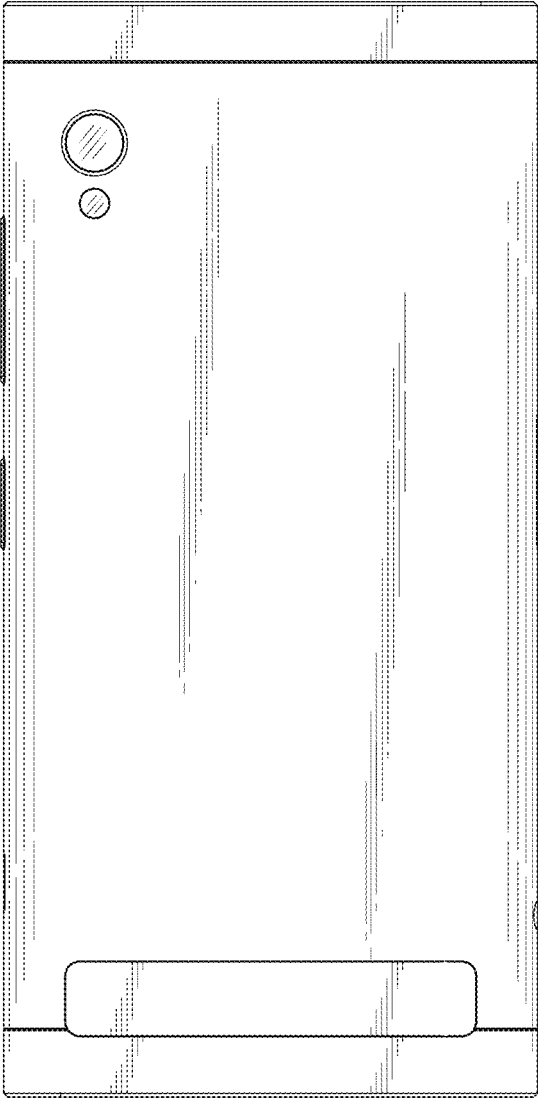


Figure 2

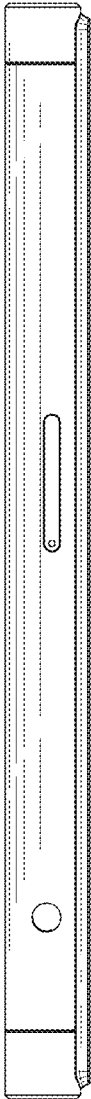


Figure 3

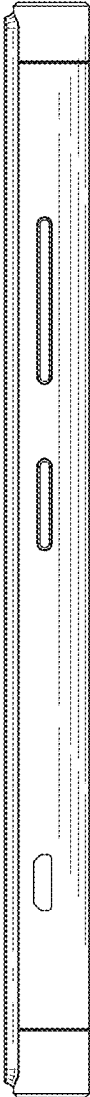


Figure 4



Figure 5

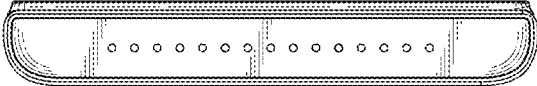


Figure 6

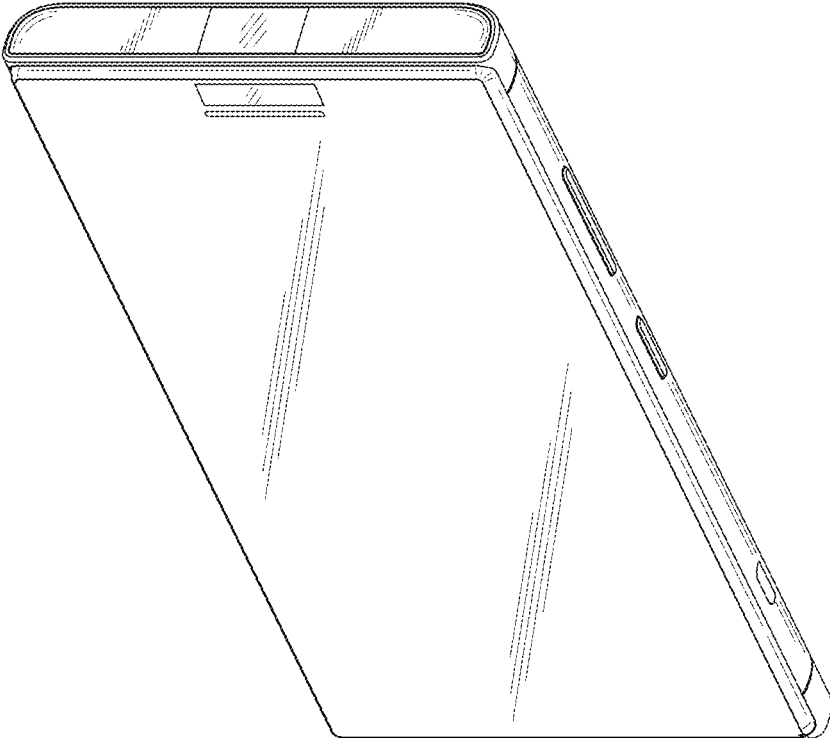


Figure 7

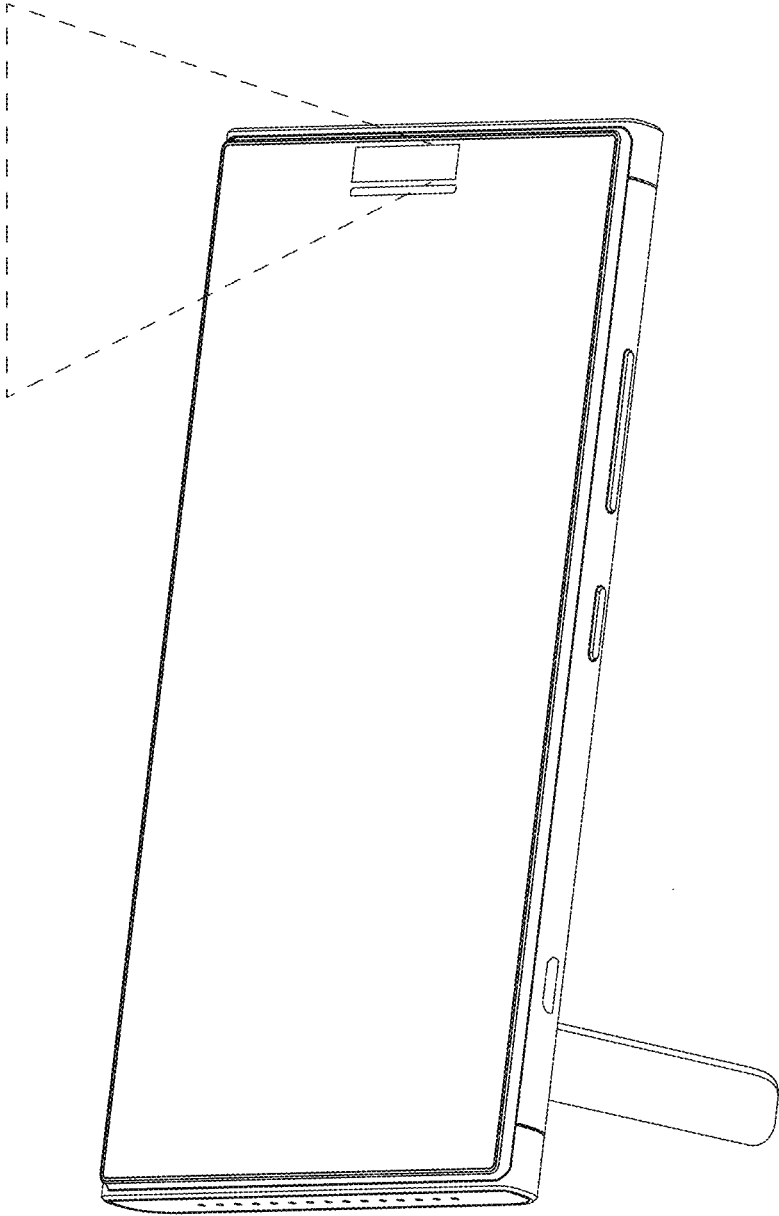


Figure 8

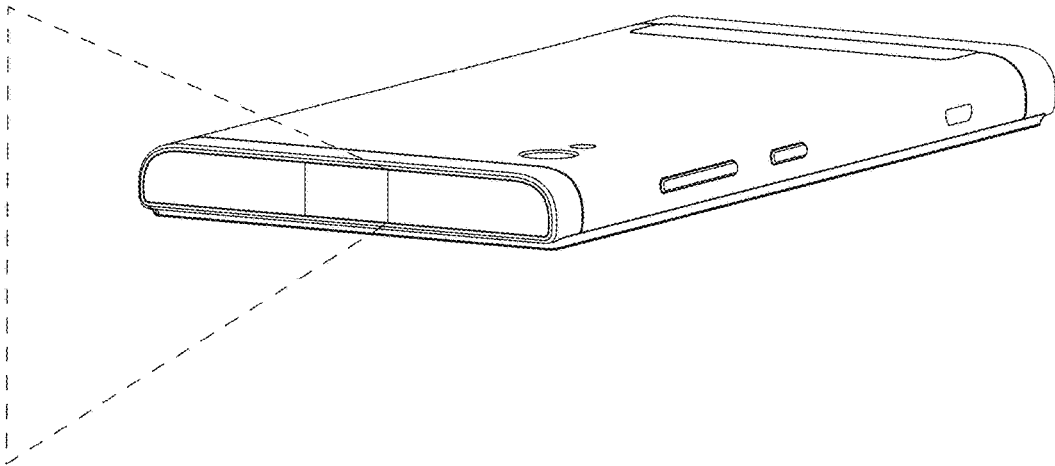


Figure 9