



US00D476087S

(12) **United States Design Patent** (10) **Patent No.:** **US D476,087 S**
Dirks et al. (45) **Date of Patent:** **** Jun. 17, 2003**

(54) **MASSAGER**
(75) Inventors: **Keith Dirks**, Sterling, IL (US); **Charles Y. Choi**, Palatine, IL (US)
(73) Assignee: **Wahl Clipper Corporation**, Sterling, IL (US)
(**) Term: **14 Years**
(21) Appl. No.: **29/150,747**
(22) Filed: **Nov. 28, 2001**

D331,466 S * 12/1992 Doria D24/200
D345,424 S * 3/1994 Gudcein D24/215
D351,474 S * 10/1994 Huang D24/211
D364,231 S * 11/1995 Kou et al. D24/215

* cited by examiner

Primary Examiner—Stella Reid

(74) *Attorney, Agent, or Firm*—Greer, Burns, & Crain Ltd.

(57) **CLAIM**

The ornamental design for a massager, as shown and described.

DESCRIPTION

FIG. 1 is a perspective view of a massager, showing our new design;

FIG. 2 is a front view thereof;

FIG. 3 is a rear view thereof;

FIG. 4 is a top view thereof;

FIG. 5 is a left side view thereof;

FIG. 6 is a right side view thereof; and

FIG. 7 is a bottom view thereof.

The broken lines shown in the figures is for illustrative purposes only and form no part of the claimed design.

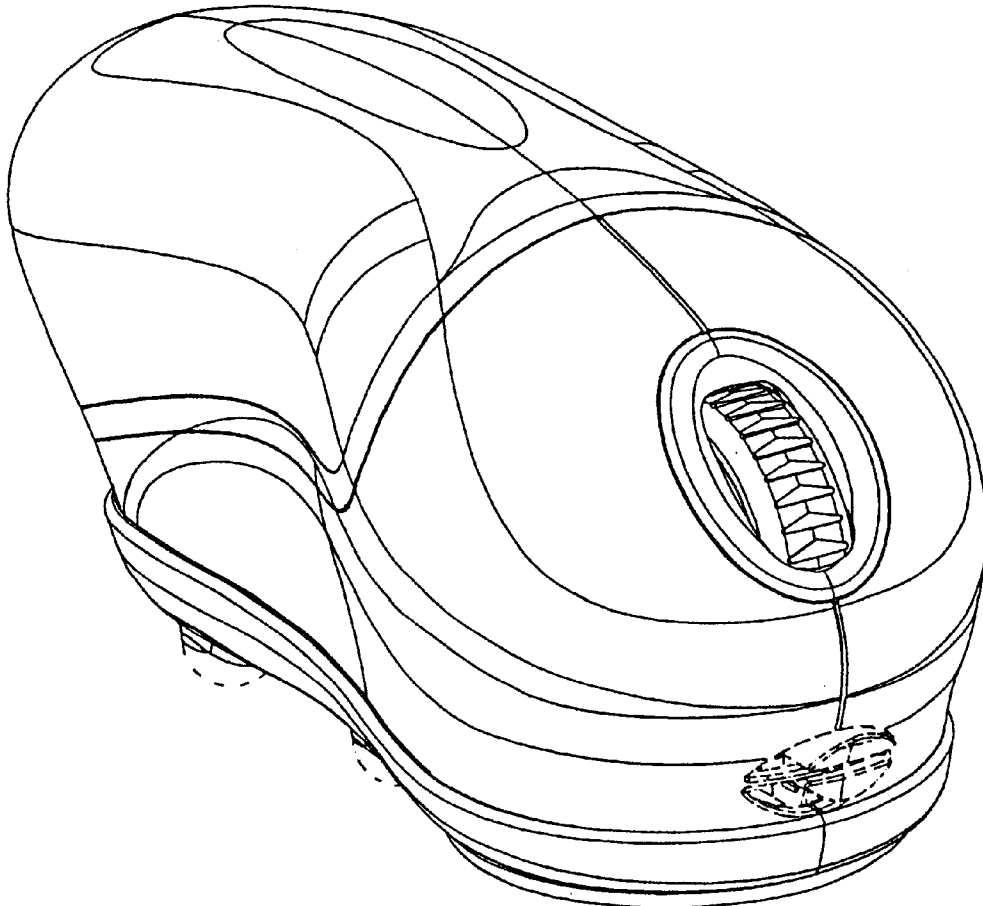
(51) **LOC (7) Cl.** **28-03**
(52) **U.S. Cl.** **D24/215**
(58) **Field of Search** D24/200, 211,
D24/214, 215; 601/46, 51, 52, 63, 84, 85,
93, 94, 131, 134

(56) **References Cited**

U.S. PATENT DOCUMENTS

2,203,976 A * 6/1940 Aoyagi 601/94
D171,941 S * 4/1954 Iannelli D24/214
2,988,084 A * 6/1961 Douglas 601/80
3,994,290 A * 11/1976 Springer et al. 601/131
4,846,159 A * 7/1989 Anzai et al. 601/128

1 Claim, 4 Drawing Sheets



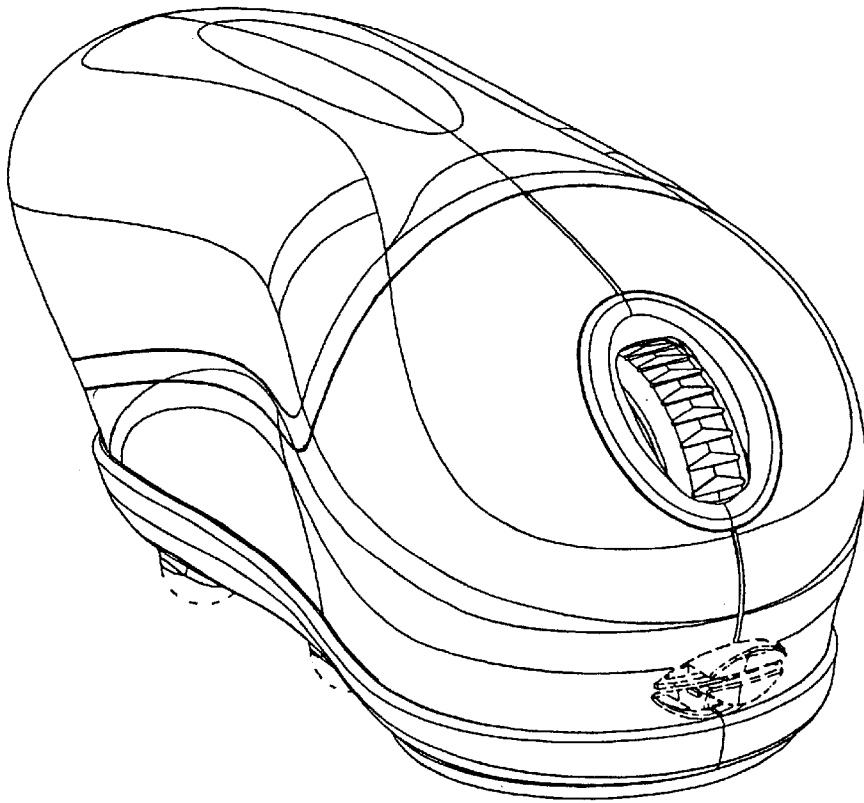


FIG.1

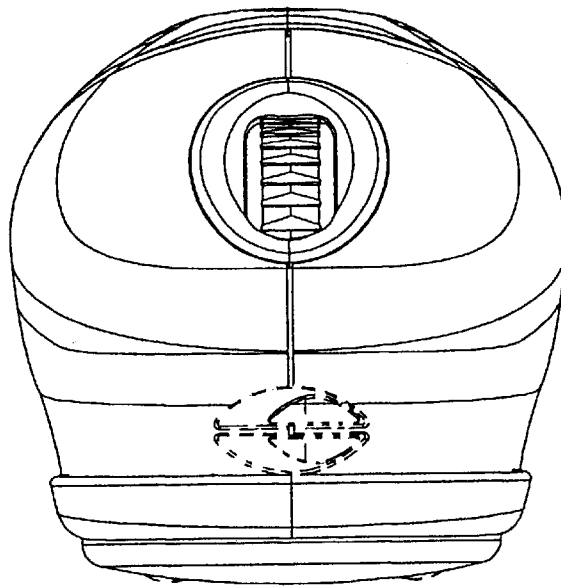


FIG.2

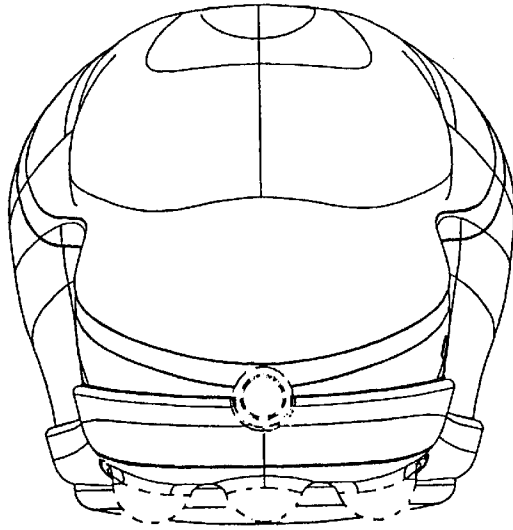


FIG.3

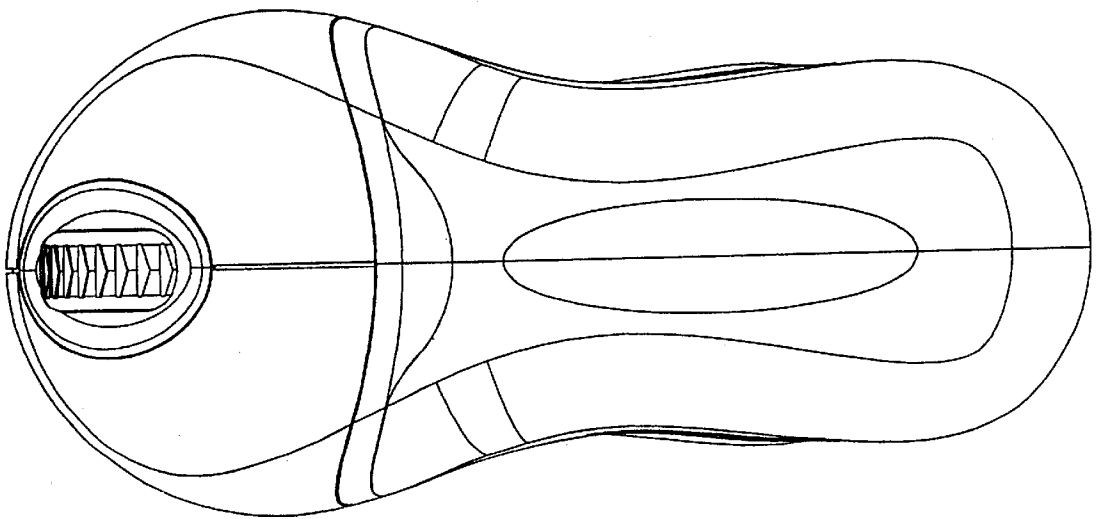


FIG.4

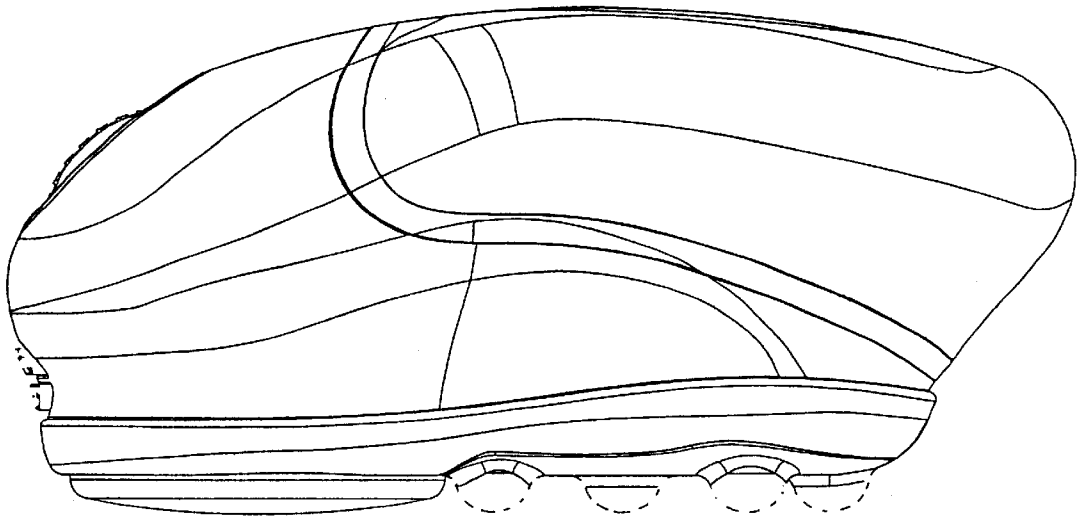


FIG.5

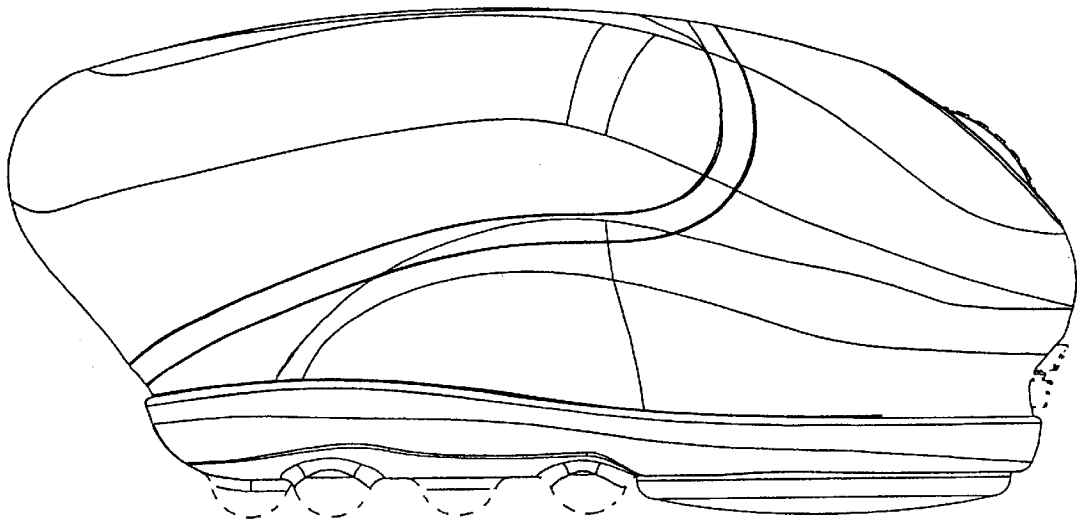


FIG.6

FIG.7

