



- (51) International Patent Classification:
G01F 11/24 (2006.01)
- (21) International Application Number:
PCT/IT2009/000281
- (22) International Filing Date:
26 June 2009 (26.06.2009)
- (25) Filing Language: English
- (26) Publication Language: English
- (30) Priority Data:
FI2008A000121 30 June 2008 (30.06.2008) IT
- (71) Applicant (for all designated States except US): **SAECO STRATEGIC SERVICES LTD** [IE/IE]; Unit 1 E, Block 71, Park West Business Park, Nangor Road, DUBLIN 12 (IE).
- (72) Inventor; and
- (75) Inventor/Applicant (for US only): **BERTO, Giovanni** [IT/IT]; Via Postumia Ovest 213, I-41048 OLMi, TREVISO (IT).
- (74) Agents: **MANNUCCI, Michele** et al.; Uff. Tecn. Ing. A. Mannucci S.r.l., Via della Scala 4, I-50123 FIRENZE (IT).
- (81) Designated States (unless otherwise indicated, for every kind of national protection available): AE, AG, AL, AM, AO, AT, AU, AZ, BA, BB, BG, BH, BR, BW, BY, BZ, CA, CH, CL, CN, CO, CR, CU, CZ, DE, DK, DM, DO, DZ, EC, EE, EG, ES, FI, GB, GD, GE, GH, GM, GT, HN, HR, HU, ID, IL, IN, IS, JP, KE, KG, KM, KN, KP, KR, KZ, LA, LC, LK, LR, LS, LT, LU, LY, MA, MD, ME, MG, MK, MN, MW, MX, MY, MZ, NA, NG, NI, NO, NZ, OM, PE, PG, PH, PL, PT, RO, RS, RU, SC, SD, SE, SG, SK, SL, SM, ST, SV, SY, TJ, TM, TN, TR, TT, TZ, UA, UG, US, UZ, VC, VN, ZA, ZM, ZW.
- (84) Designated States (unless otherwise indicated, for every kind of regional protection available): ARIPO (BW, GH, GM, KE, LS, MW, MZ, NA, SD, SL, SZ, TZ, UG, ZM, ZW), Eurasian (AM, AZ, BY, KG, KZ, MD, RU, TJ, TM), European (AT, BE, BG, CH, CY, CZ, DE, DK, EE, ES, FI, FR, GB, GR, HR, HU, IE, IS, IT, LT, LU, LV, MC, MK, MT, NL, NO, PL, PT, RO, SE, SI, SK, TR), OAPI (BF, BJ, CF, CG, CI, CM, GA, GN, GQ, GW, ML, MR, NE, SN, TD, TG).

[Continued on next page]

(54) Title: DEVICE FOR SEPARATING DIFFERENT ENCLOSED SPACES AND FOR DOSING A FOOD PRODUCT AND MACHINE INCORPORATING SAID DEVICE

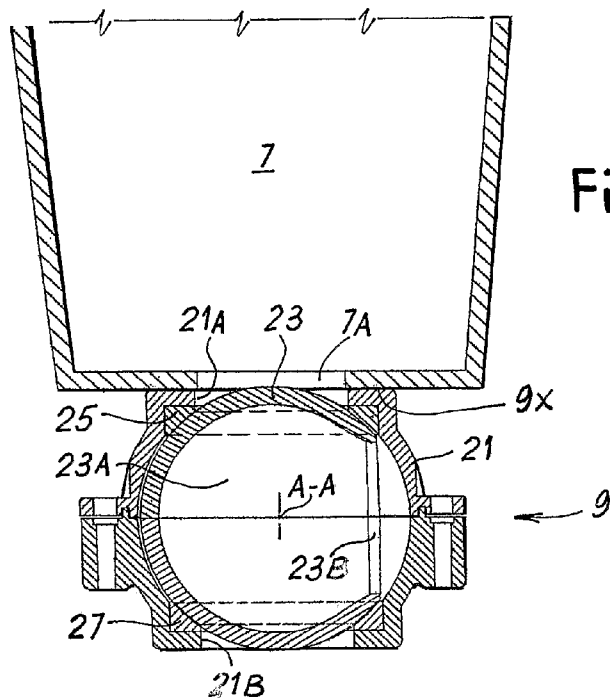


Fig. 4

(57) Abstract: The device (9) comprises a dosing element (23) housed in a housing seat (21) equipped with an inlet (21A) for feed of the food product and with an outlet (21 B) for dispensing the food product. The dosing element rotates in the housing seat and has a hollow body with an opening (23B) for feed and delivery of the food product. With rotation of the dosing element the hollow body can be taken into alignment alternatively with the inlet or with the outlet of the housing seat (21).

WO 2010/001428 A3



Declarations under Rule 4.17:

— *as to the applicant's entitlement to claim the priority of the earlier application (Rule 4.17(iii))*

— *before the expiration of the time limit for amending the claims and to be republished in the event of receipt of amendments (Rule 48.2(h))*

Published:

— *with international search report (Art. 21(3))*

(88) Date of publication of the international search report:

25 February 2010

INTERNATIONAL SEARCH REPORT

International application No
PCT/IT2009/000281

A. CLASSIFICATION OF SUBJECT MATTER INV. G01F11/24				
According to International Patent Classification (IPC) or to both national classification and IPC				
B. FIELDS SEARCHED				
Minimum documentation searched (classification system followed by classification symbols) A47J G01F				
Documentation searched other than minimum documentation to the extent that such documents are included in the fields searched				
Electronic data base consulted during the international search (name of data base and, where practical, search terms used) EPO-Internal				
C. DOCUMENTS CONSIDERED TO BE RELEVANT				
Category*	Citation of document, with indication, where appropriate, of the relevant passages	Relevant to claim No.		
X Y Y X	FR 2 565 088 A1 (GASPARELLA VALENTINO [IT]) 6 December 1985 (1985-12-06) page 1, line 34 - page 2, line 36 figures 1-4 ----- WO 2006/120560 A1 (PETERVIN SA [LU]; ILLY FRANCESCO [CH]) 16 November 2006 (2006-11-16) page 3, line 19 - page 5, line 25 page 7, line 20 - line 22 figure 1 ----- US 4 569 463 A (PELLEGRINO RAYMOND W [US]) 11 February 1986 (1986-02-11) column 1, line 11 - line 23 column 2, line 45 - line 53 column 3, line 11 - column 4, line 3 figures 1-3 ----- -/--	1-4,9-11 5-8 5-8 1-4		
<input checked="" type="checkbox"/> Further documents are listed in the continuation of Box C. <input checked="" type="checkbox"/> See patent family annex.				
* Special categories of cited documents :				
<table style="width: 100%; border: none;"> <tr> <td style="width: 50%; border: none; vertical-align: top;"> "A" document defining the general state of the art which is not considered to be of particular relevance "E" earlier document but published on or after the international filing date "L" document which may throw doubts on priority claim(s) or which is cited to establish the publication date of another citation or other special reason (as specified) "O" document referring to an oral disclosure, use, exhibition or other means "P" document published prior to the international filing date but later than the priority date claimed </td> <td style="width: 50%; border: none; vertical-align: top;"> "T" later document published after the international filing date or priority date and not in conflict with the application but cited to understand the principle or theory underlying the invention "X" document of particular relevance; the claimed invention cannot be considered novel or cannot be considered to involve an inventive step when the document is taken alone "Y" document of particular relevance; the claimed invention cannot be considered to involve an inventive step when the document is combined with one or more other such documents, such combination being obvious to a person skilled in the art. "&" document member of the same patent family </td> </tr> </table>			"A" document defining the general state of the art which is not considered to be of particular relevance "E" earlier document but published on or after the international filing date "L" document which may throw doubts on priority claim(s) or which is cited to establish the publication date of another citation or other special reason (as specified) "O" document referring to an oral disclosure, use, exhibition or other means "P" document published prior to the international filing date but later than the priority date claimed	"T" later document published after the international filing date or priority date and not in conflict with the application but cited to understand the principle or theory underlying the invention "X" document of particular relevance; the claimed invention cannot be considered novel or cannot be considered to involve an inventive step when the document is taken alone "Y" document of particular relevance; the claimed invention cannot be considered to involve an inventive step when the document is combined with one or more other such documents, such combination being obvious to a person skilled in the art. "&" document member of the same patent family
"A" document defining the general state of the art which is not considered to be of particular relevance "E" earlier document but published on or after the international filing date "L" document which may throw doubts on priority claim(s) or which is cited to establish the publication date of another citation or other special reason (as specified) "O" document referring to an oral disclosure, use, exhibition or other means "P" document published prior to the international filing date but later than the priority date claimed	"T" later document published after the international filing date or priority date and not in conflict with the application but cited to understand the principle or theory underlying the invention "X" document of particular relevance; the claimed invention cannot be considered novel or cannot be considered to involve an inventive step when the document is taken alone "Y" document of particular relevance; the claimed invention cannot be considered to involve an inventive step when the document is combined with one or more other such documents, such combination being obvious to a person skilled in the art. "&" document member of the same patent family			
Date of the actual completion of the international search <p style="text-align: center; font-size: 1.2em;">2 December 2009</p>		Date of mailing of the international search report <p style="text-align: center; font-size: 1.2em;">28/12/2009</p>		
Name and mailing address of the ISA/ European Patent Office, P.B. 5818 Patentlaan 2 NL - 2280 HV Rijswijk Tel. (+31-70) 340-2040, Fax: (+31-70) 340-3016		Authorized officer <p style="text-align: center; font-size: 1.2em;">Kempeneers, Johanna</p>		

INTERNATIONAL SEARCH REPORT

International application No
PCT/IT2009/000281

C(Continuation). DOCUMENTS CONSIDERED TO BE RELEVANT		
Category*	Citation of document, with indication, where appropriate, of the relevant passages	Relevant to claim No.
X	US 2 104 332 A (ROHDE CARLOS J ET AL) 4 January 1938 (1938-01-04) page 1, column 1, line 1 - line 9 page 1, column 2, line 36 - page 2, column 1, line 31 page 2, column 2, line 13 - line 16 figures 1,2 -----	1,4,8
X	FR 2 108 175 A1 (ALTENBACH PATRICK; ALTENBACH GILLES ALTENBACH PATRICK [FR]) 19 May 1972 (1972-05-19) page 2, line 19 - page 3, line 23 figures 1-4 -----	1-4

INTERNATIONAL SEARCH REPORT

Information on patent family members

International application No

PCT/IT2009/000281

Patent document cited in search report	Publication date	Publication date	Patent family member(s)	Publication date
FR 2565088	A1	06-12-1985	ES 287145 U IT 1181556 B	01-12-1985 30-09-1987
WO 2006120560	A1	16-11-2006	AT 405201 T AT 414453 T EP 1879487 A1 EP 1876936 A1 WO 2006120561 A1 US 2008197148 A1 US 2008302825 A1	15-09-2008 15-12-2008 23-01-2008 16-01-2008 16-11-2006 21-08-2008 11-12-2008
US 4569463	A	11-02-1986	NONE	
US 2104332	A	04-01-1938	NONE	
FR 2108175	A1	19-05-1972	NONE	