



US00D426838S

United States Patent [19]

[11] Patent Number: **Des. 426,838**

Antos et al.

[45] Date of Patent: **** Jun. 20, 2000**

[54] **MOLD**

5,067,887 11/1991 Speer et al. 425/440 X

[76] Inventors: **Gunner Patrick Antos**, 9656-80 Avenue, Edmonton, Alberta, Canada, T6C 0V3; **Glenn Cameron Antos**, #5-8525-82 Avenue, Edmonton, Alberta, Canada, T6C 0Y7

Primary Examiner—Antoine Duval Davis
Attorney, Agent, or Firm—Jones, Tullar & Cooper PC

[**] Term: **14 Years**

[57] **CLAIM**

The ornamental design for a mold, as shown and described.

[21] Appl. No.: **29/100,054**

DESCRIPTION

[22] Filed: **Feb. 3, 1999**

FIG. 1 is a perspective view of a first embodiment of the mold of our new design.

[30] **Foreign Application Priority Data**

Aug. 19, 1998 [CA] Canada 98-2009

FIG. 2 is a end elevational view of the mold of FIG. 1, the opposite end view being identical;

[51] **LOC (7) Cl.** **15-09**

[52] **U.S. Cl.** **D15/136**

[58] **Field of Search** D15/135-137, D15/79, 80, 90; 425/DIG. 57, 436 R, 438, 439, 440, 441, 436 RM; 249/70, 1.9, 126, 127, 129

FIG. 3 is a side elevational view of the mold of FIG. 1, the opposite side view being identical;

FIG. 4 is a top plan view of the mold of FIG. 1;

FIG. 5 is a bottom plan view of the mold of FIG. 1;

FIG. 6 is a perspective view of a second embodiment of the mold of our new design;

FIG. 7 is a end elevational view of the mold of FIG. 6, the opposite end view being identical;

FIG. 8 is a side elevational view of the mold of FIG. 6, the opposite side view being identical;

FIG. 9 is a top plan view of the mold of FIG. 6; and,

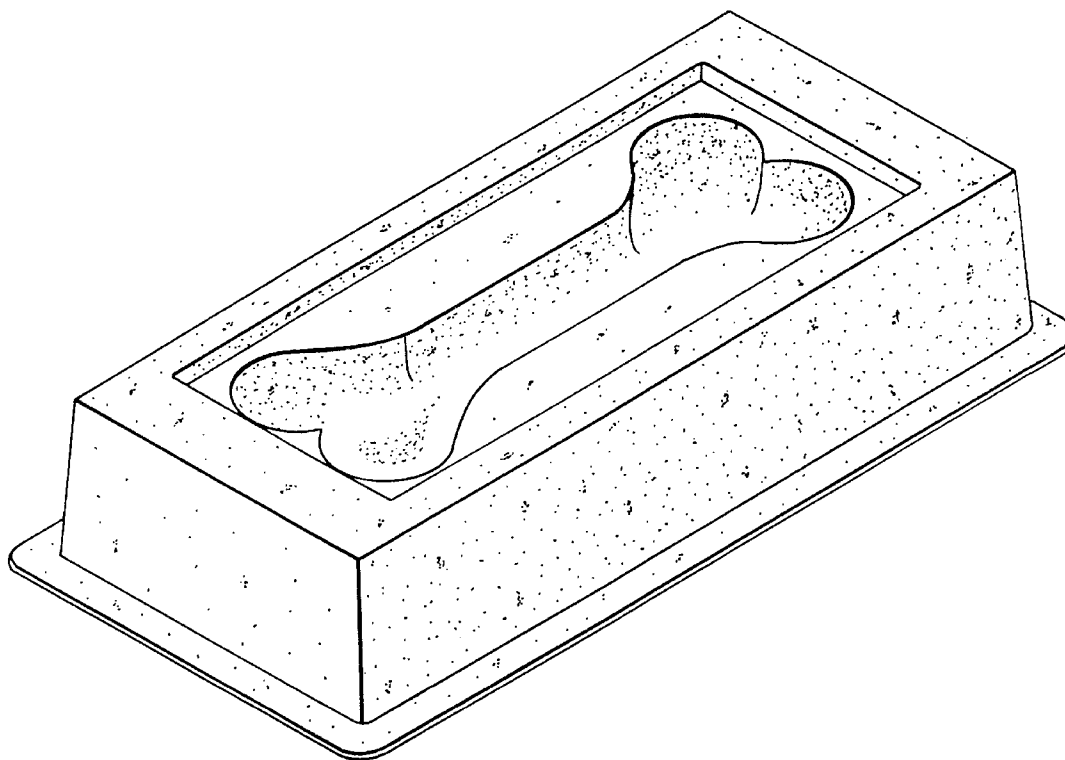
FIG. 10 is a bottom plan view of the mold of FIG. 6.

[56] **References Cited**

U.S. PATENT DOCUMENTS

D. 391,275 2/1998 Spiegel D15/135

1 Claim, 2 Drawing Sheets



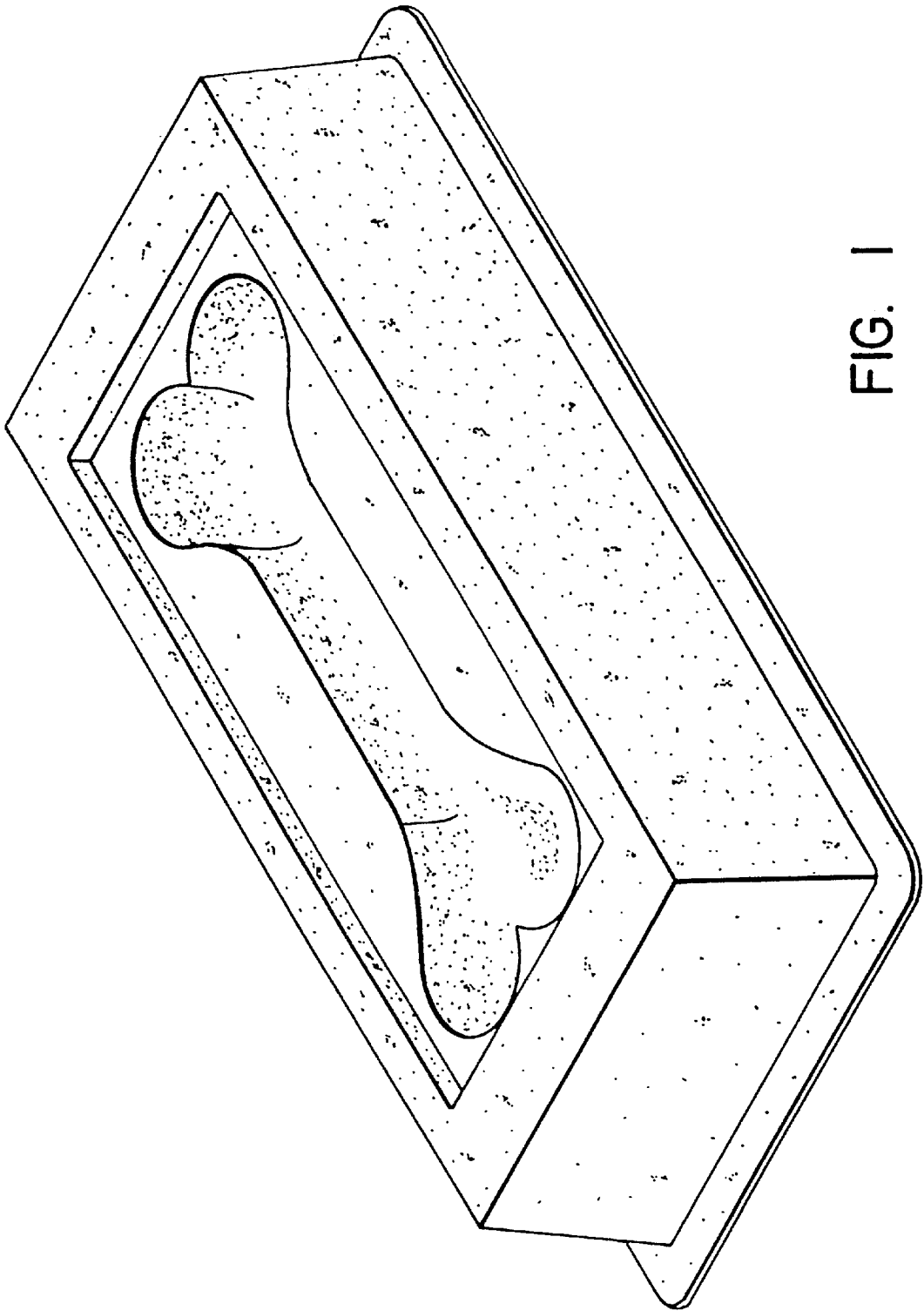


FIG. 1

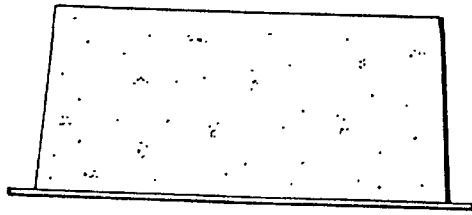


FIG. 2

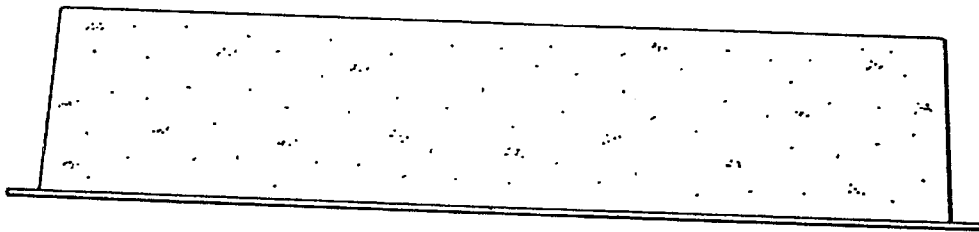


FIG. 3

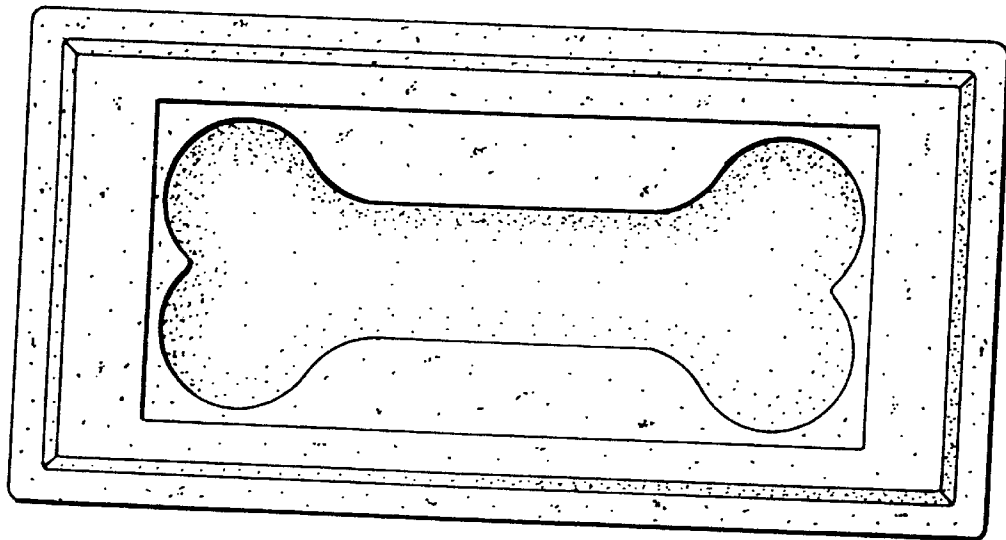


FIG. 4

UNITED STATES PATENT AND TRADEMARK OFFICE
CERTIFICATE OF CORRECTION

PATENT NO. : Des. 426,838
DATED : June 20, 2000
INVENTOR(S) : Antos, et al.

Page 1 of 6

It is certified that error appears in the above-identified patent and that said Letters Patent is hereby corrected as shown below:

On the title page, under Description, delete "1 Claim, 2 Drawing Sheets" and insert
- 1 Claim, 5 Drawing Sheet

In the Drawings:

Drawings Sheets 1-2 should be deleted to be replaced with the Sheets 1-5,
consisting of Figs. 1-10, as shown on the attached pages.

Signed and Sealed this

Twenty-Sixth Day of June, 2001

Nicholas P. Godici

Attest:

Attesting Officer

NICHOLAS P. GODICI
Acting Director of the United States Patent and Trademark Office

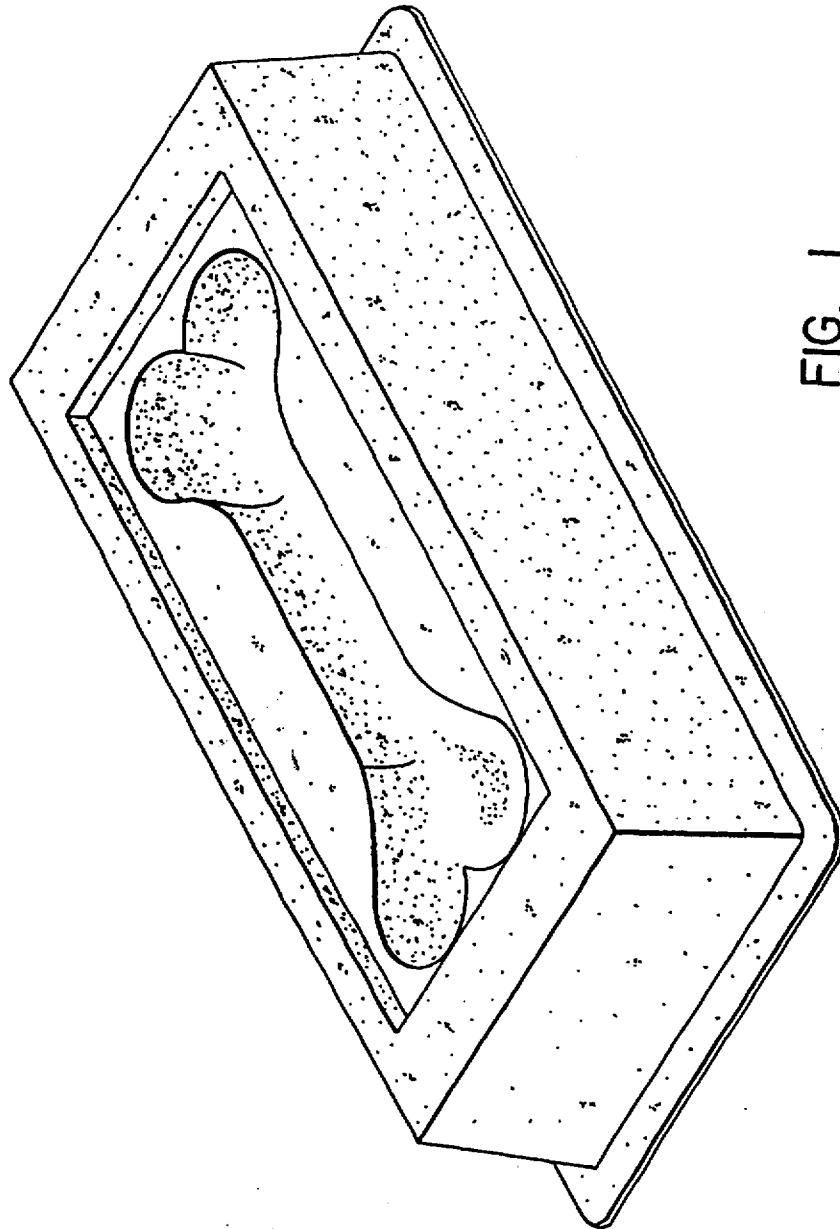


FIG. 1

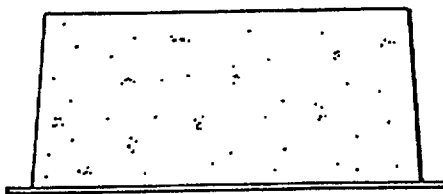


FIG. 2

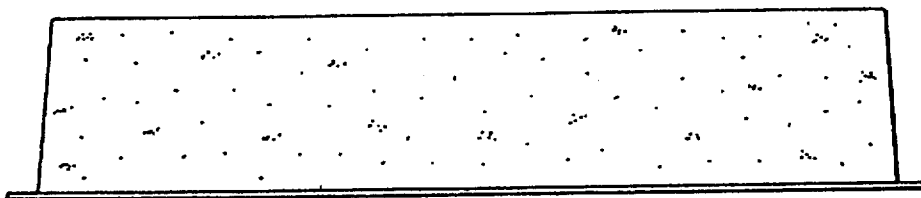


FIG. 3

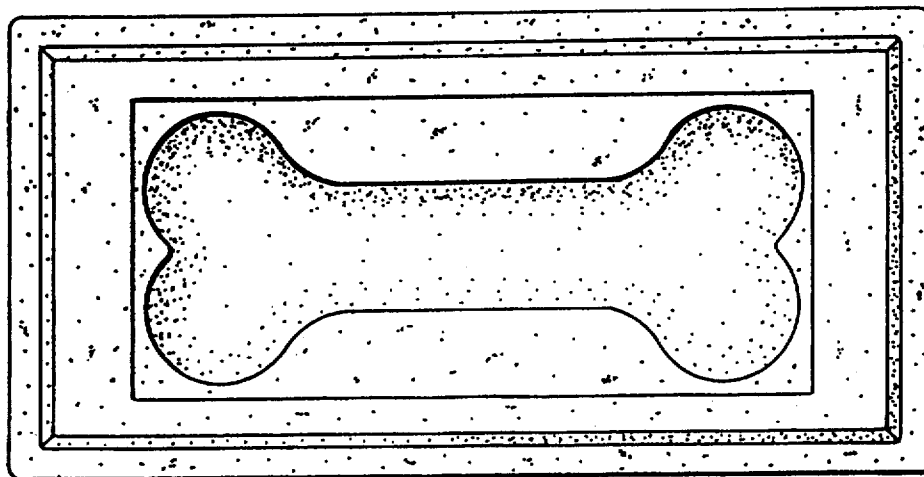


FIG. 4

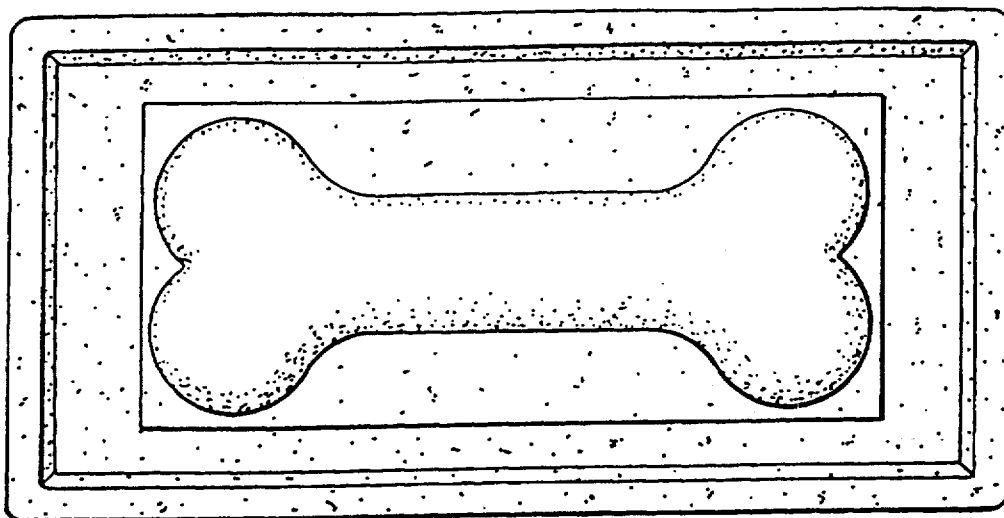


FIG. 5

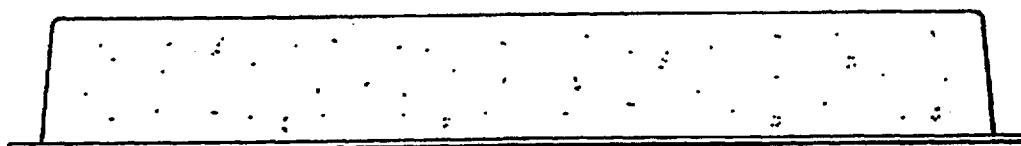


FIG. 7

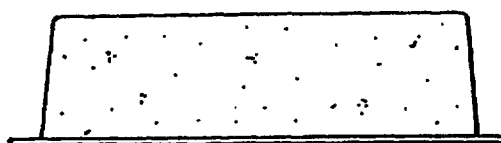


FIG. 8

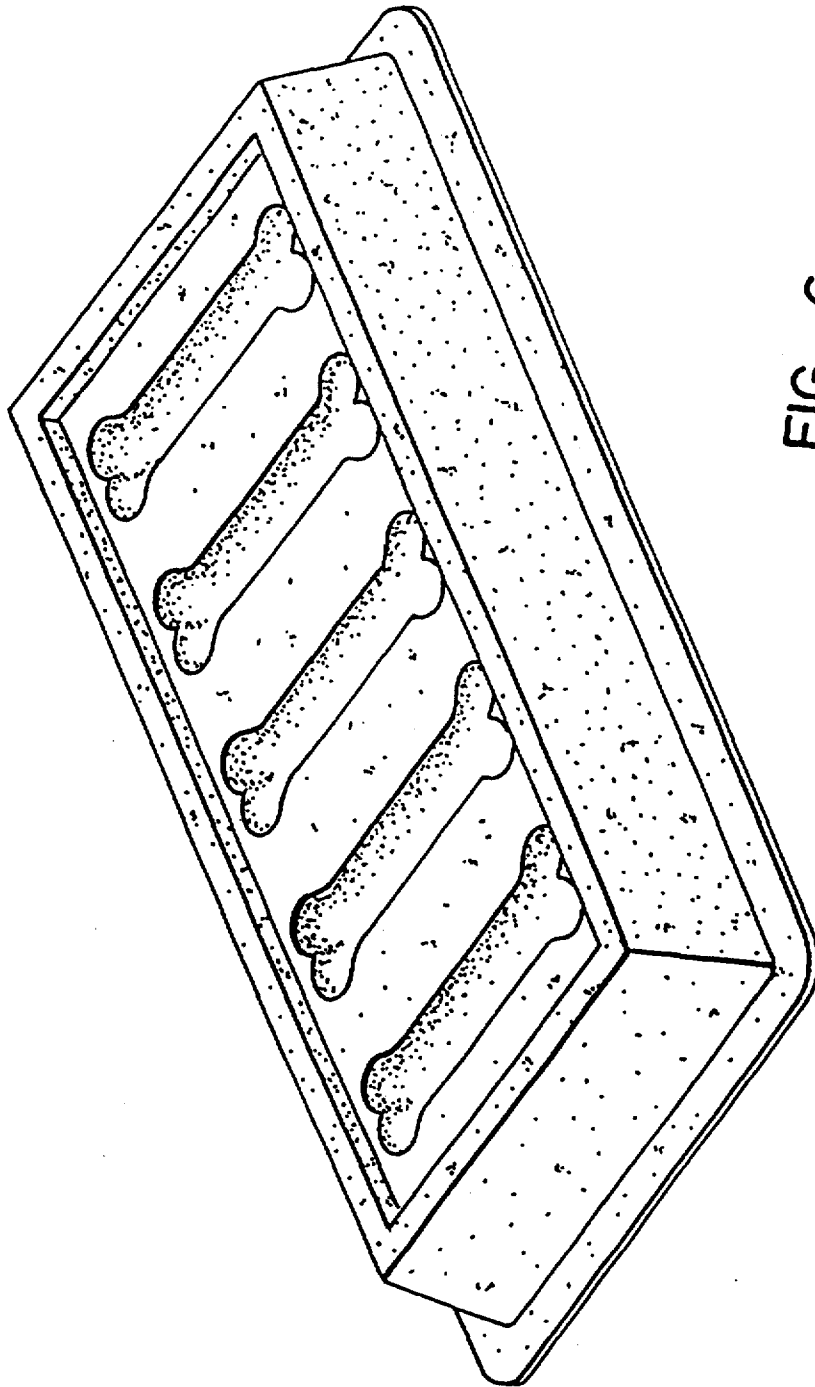


FIG. 6

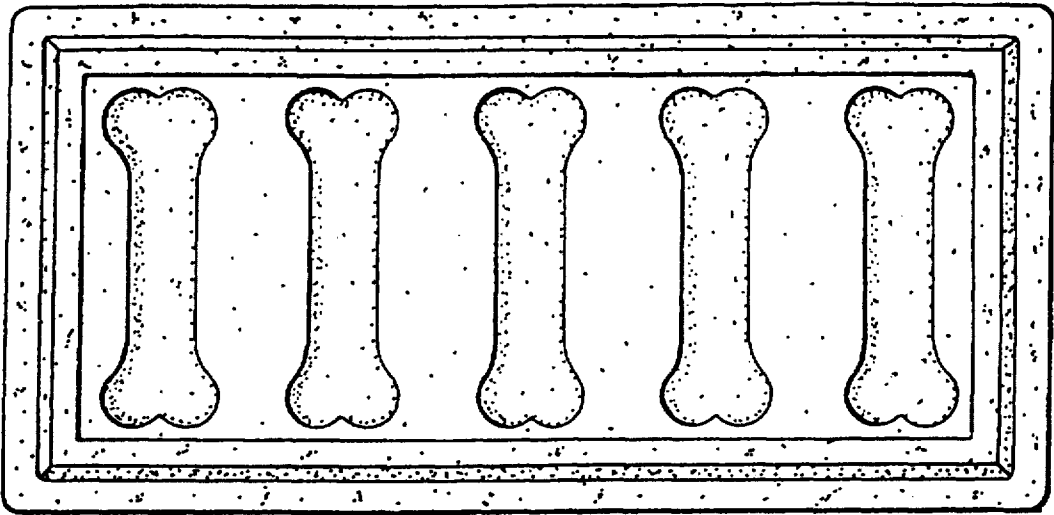


FIG. 9

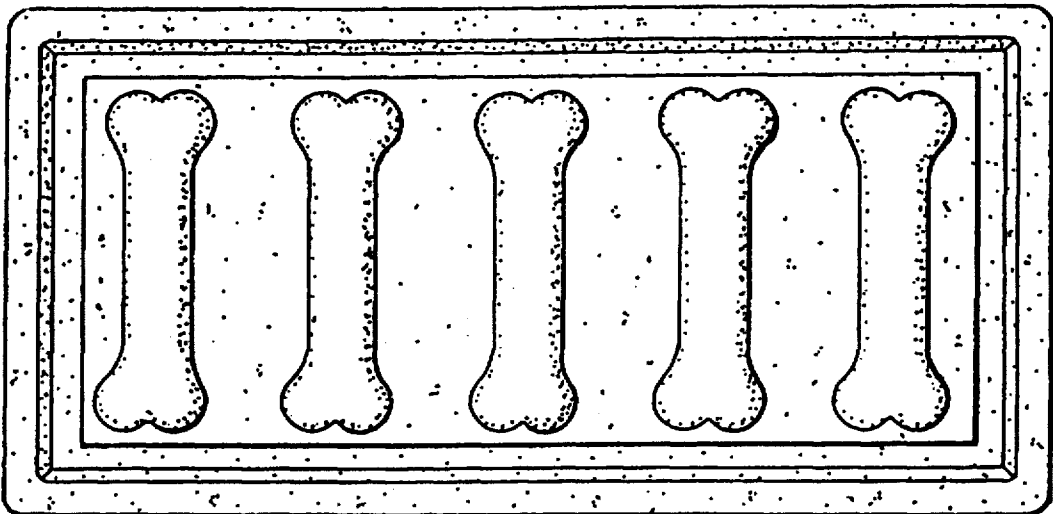


FIG. 10