



US00D465293S

(12) **United States Design Patent** (10) **Patent No.:** **US D465,293 S**
Guthrie (45) **Date of Patent:** **** Nov. 5, 2002**

- (54) **LIGHT BODY**
- (75) Inventor: **Ian Guthrie**, Victoria (AU)
- (73) Assignee: **Spa Electrics Pty. Ltd.**, Victoria (AU)
- (**) Term: **14 Years**
- (21) Appl. No.: **29/138,649**
- (22) Filed: **Mar. 15, 2001**
- (30) **Foreign Application Priority Data**
 Sep. 15, 2000 (AU) 2996/00
- (51) **LOC (7) Cl.** **26-04**
- (52) **U.S. Cl.** **D26/28**
- (58) **Field of Search** D26/28-36; 362/61,
362/74, 80, 81, 82, 83

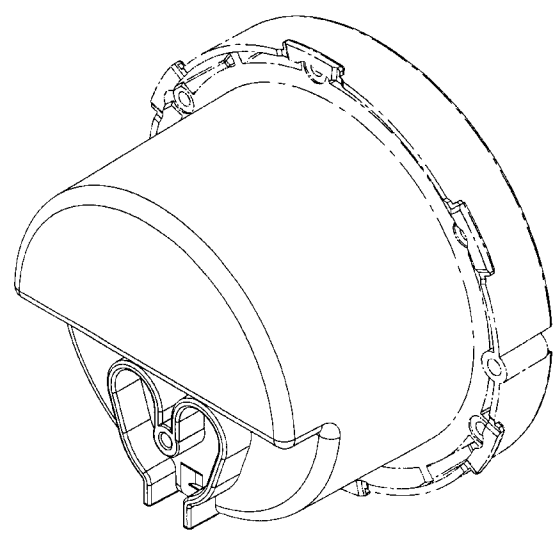
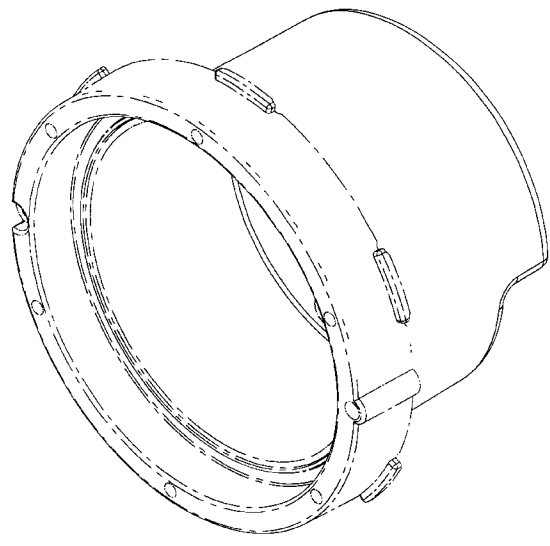
- (56) **References Cited**
U.S. PATENT DOCUMENTS
 D354,362 S * 1/1995 Tsai D26/28
 D357,756 S * 4/1995 Tsai D26/28

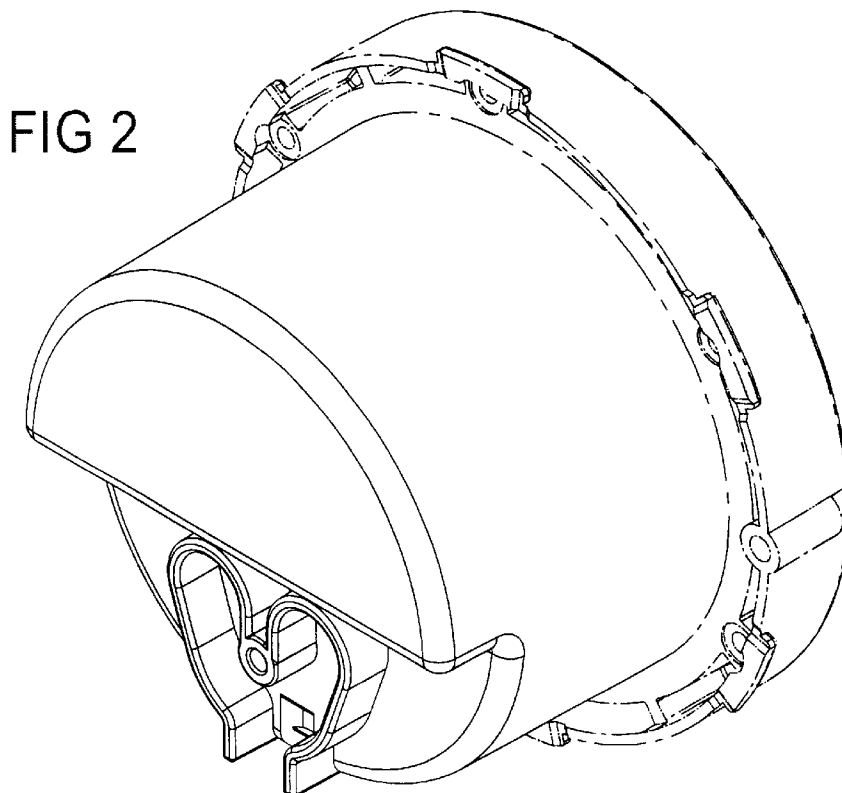
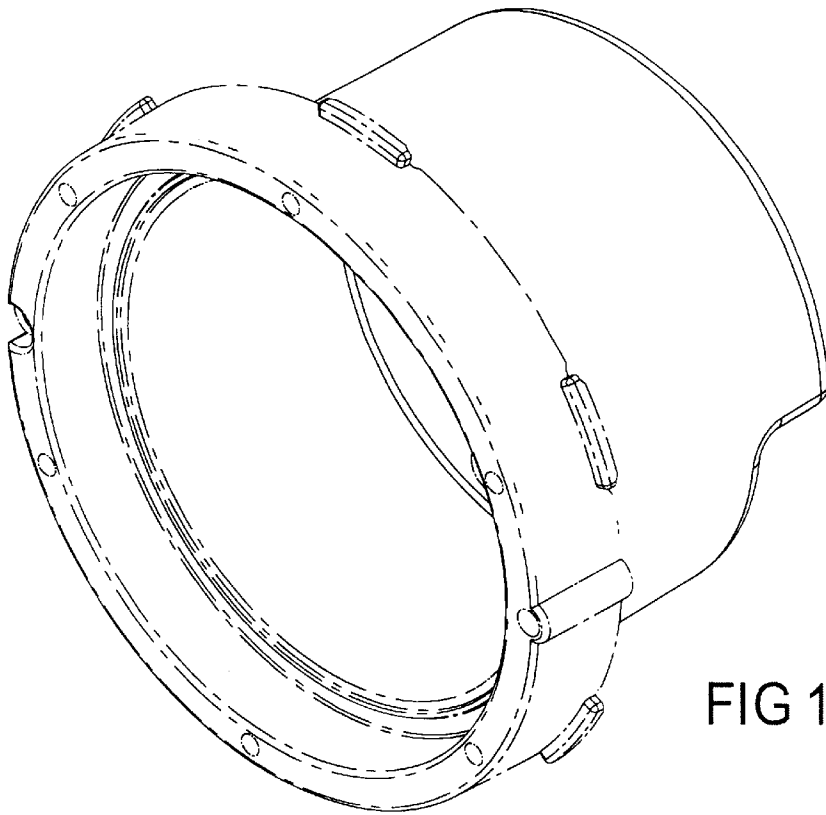
D424,724 S * 5/2000 Hussaini et al. D26/28
 D446,590 S * 8/2001 Oh D26/28
 * cited by examiner
Primary Examiner—Marcus A. Jackson
 (74) *Attorney, Agent, or Firm*—Christie, Parker & Hale, LLP

(57) **CLAIM**
 The ornamental design for light body, as shown and described.

DESCRIPTION
 FIG. 1 is a left perspective view of the light body, with the broken line showing for illustrative purposes only and forming no part of the claimed design;
 FIG. 2 is a right perspective view thereof;
 FIG. 3 is a front elevation view thereof;
 FIG. 4 is a rear elevation view thereof;
 FIG. 5 is a side elevation view thereof;
 FIG. 6 is a bottom elevation view thereof; and,
 FIG. 7 is a top elevation view thereof.

1 Claim, 3 Drawing Sheets





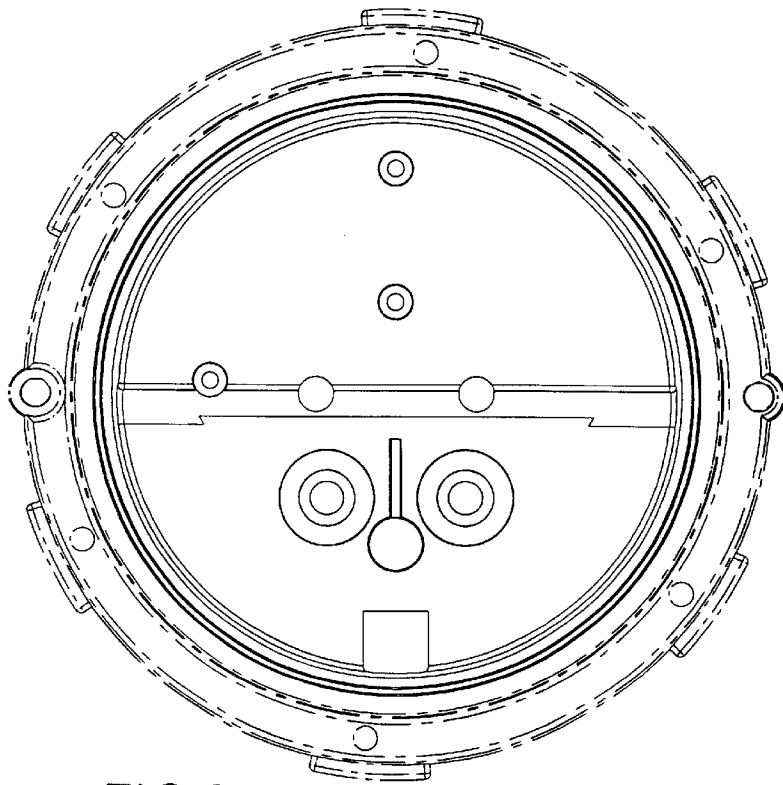


FIG 3

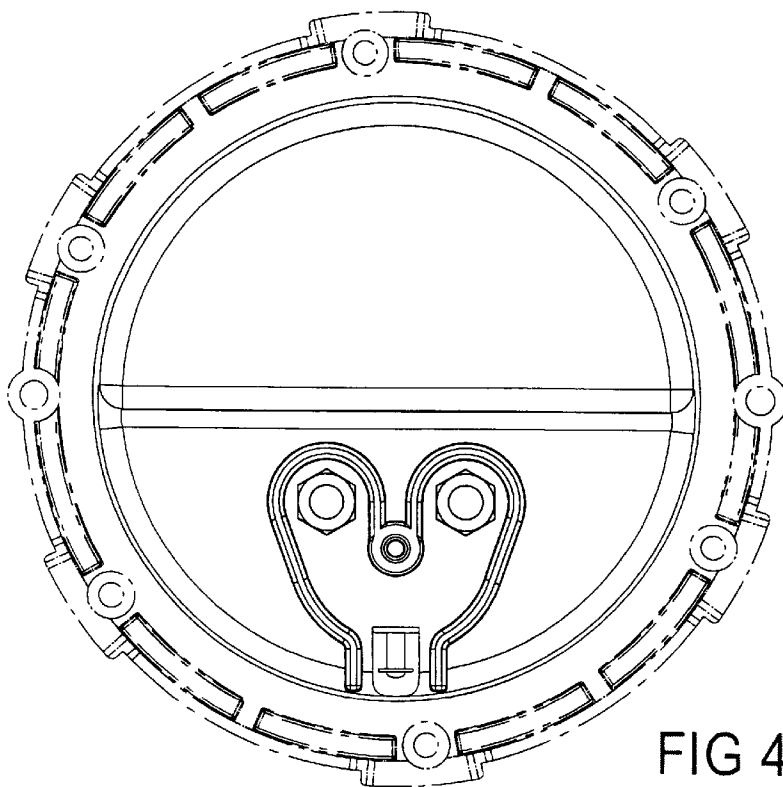


FIG 4

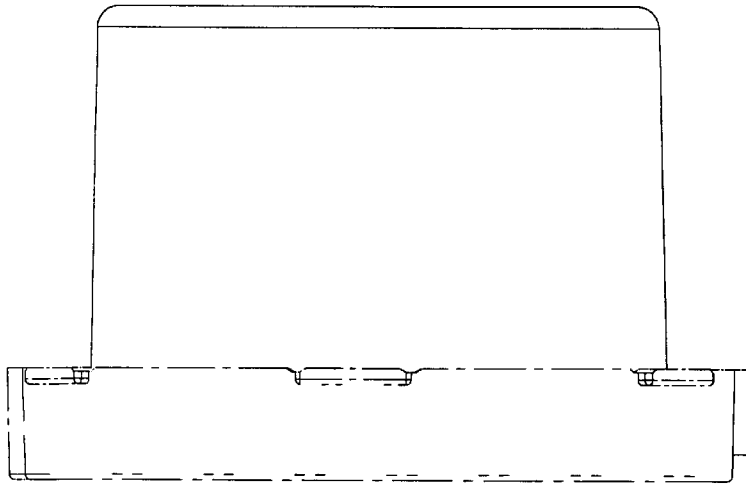


FIG 7

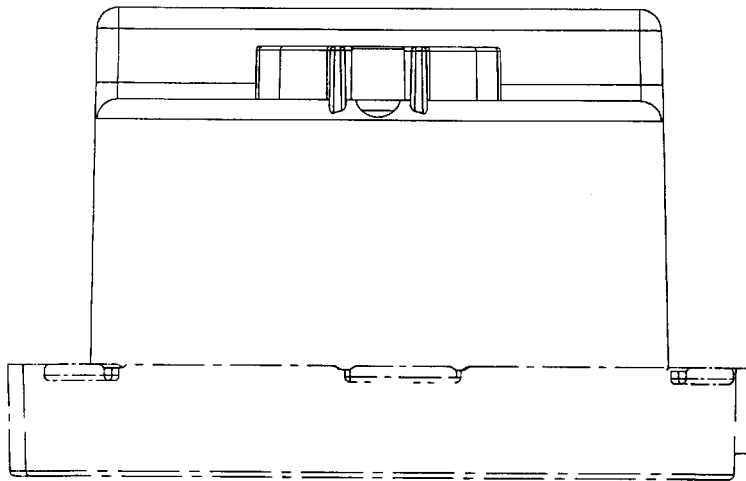


FIG 6

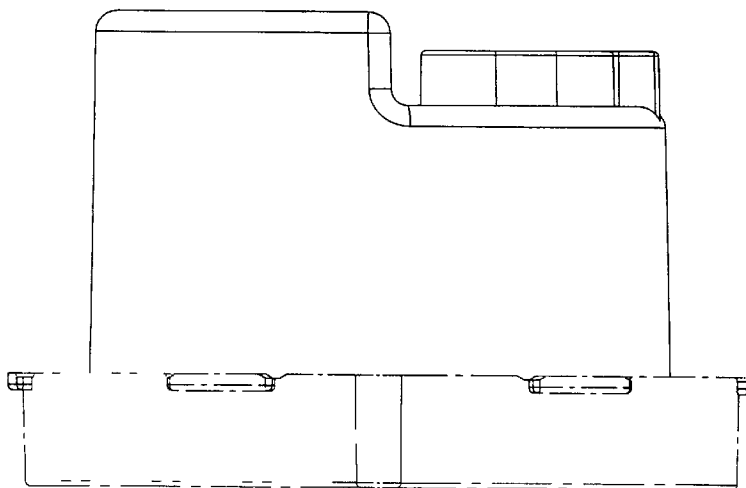


FIG 5