



(51) International Patent Classification:
F03D 3/06 (2006.01)

(21) International Application Number:
PCT/HU2008/000128

(22) International Filing Date:
30 October 2008 (30.10.2008)

(25) Filing Language: Hungarian

(26) Publication Language: English

(30) Priority Data:
P0700705 30 October 2007 (30.10.2007) HU

(72) Inventor; and

(71) Applicant : GYÖRGYI, Viktor [HU/HU]; Fo út 46.,
H-8086 Felesút (HU).

(74) Agent: DANUBIA PATENT AND LAW OFFICE; Ba-
jocsy-zsilinszky út 16., H-1051 Budapest (HU).

(81) Designated States (unless otherwise indicated, for every
kind of national protection available): AE, AG, AL, AM,

AO, AT, AU, AZ, BA, BB, BG, BH, BR, BW, BY, BZ,
CA, CH, CN, CO, CR, CU, CZ, DE, DK, DM, DO, DZ,
EC, EE, EG, ES, FI, GB, GD, GE, GH, GM, GT, HN,
HR, HU, ID, IL, IN, IS, JP, KE, KG, KM, KN, KP, KR,
KZ, LA, LC, LK, LR, LS, LT, LU, LY, MA, MD, ME,
MG, MK, MN, MW, MX, MY, MZ, NA, NG, NI, NO,
NZ, OM, PG, PH, PL, PT, RO, RS, RU, SC, SD, SE, SG,
SK, SL, SM, ST, SV, SY, TJ, TM, TN, TR, TT, TZ, UA,
UG, US, UZ, VC, VN, ZA, ZM, ZW.

(84) Designated States (unless otherwise indicated, for every
kind of regional protection available): ARIPO (BW, GH,
GM, KE, LS, MW, MZ, NA, SD, SL, SZ, TZ, UG, ZM,
ZW), Eurasian (AM, AZ, BY, KG, KZ, MD, RU, TJ,
TM), European (AT, BE, BG, CH, CY, CZ, DE, DK, EE,
ES, FI, FR, GB, GR, HR, HU, IE, IS, IT, LT, LU, LV,
MC, MT, NL, NO, PL, PT, RO, SE, SI, SK, TR), OAPI
(BF, BJ, CF, CG, CI, CM, GA, GN, GQ, GW, ML, MR,
NE, SN, TD, TG).

Published:

— with international search report (Art. 21(3))

[Continued on next page]

(54) Title: WIND TURBINE WITH VERTICAL AXIS AND WIND POWER PLANT

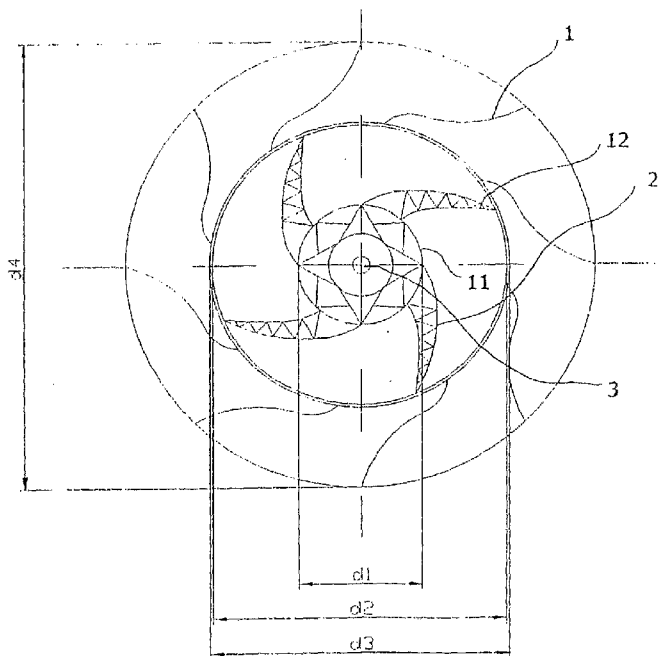


Fig. 2

(57) Abstract: This invention relates to a wind turbine with vertical axis (3), having a rotor (F) and a generator (7) connected with said axis (3), and a supporting structure holding the axis (3) of said rotor (F) by means of bearings, and said rotor (F) consists of an axis (3) fitted with an upper bearing mounted in an upper part of an upper console (10) and with a lower bearing mounted in a building (20) formed along the ground level (8), and supporting rings (11) perpendicularly attached to the axis (3) spaced apart along said axis (3), and a plurality of arcuate beams (2) fitted with said rings (11) and supporting turbine blades (12).



— *before the expiration of the time limit for amending the claims and to be republished in the event of receipt of amendments (Rule 48.2(h))*

(88) Date of publication of the international search report:
27 May 2010

INTERNATIONAL SEARCH REPORT

International application No
PCT/HU2008/000128

A. CLASSIFICATION OF SUBJECT MATTER

INV. F03D3/06
ADD.

According to International Patent Classification (IPC) or to both national classification and IPC

B. FIELDS SEARCHED

Minimum documentation searched (classification system followed by classification symbols)
F03D

Documentation searched other than minimum documentation to the extent that such documents are included in the fields searched

Electronic data base consulted during the international search (name of data base and, where practical, search terms used)

EPO-Internal, PAJ, WPI Data

C. DOCUMENTS CONSIDERED TO BE RELEVANT

Category*	Citation of document, with indication, where appropriate, of the relevant passages	Relevant to claim No.
X	WO 2006/089425 A1 (NICA NORIA [CA]) 31 August 2006 (2006-08-31) abstract figure 9 paragraphs [0044] - [0049]	1-15
X	US 6 191 496 B1 (ELDER DILLYN M [US]) 20 February 2001 (2001-02-20) abstract figure 1	1-15
X	GB 2 378 225 A (HEAL PETER ROLIN [GB]) 5 February 2003 (2003-02-05) the whole document	1-15
A	DE 39 28 538 A1 (LEPOIX LOUIS L [DE]) 7 March 1991 (1991-03-07) the whole document	1-15
	----- -/--	

Further documents are listed in the continuation of Box C.

See patent family annex.

* Special categories of cited documents:

"A" document defining the general state of the art which is not considered to be of particular relevance

"E" earlier document but published on or after the international filing date

"L" document which may throw doubts on priority claim(s) or which is cited to establish the publication date of another citation or other special reason (as specified)

"O" document referring to an oral disclosure, use, exhibition or other means

"P" document published prior to the international filing date but later than the priority date claimed

"T" later document published after the international filing date or priority date and not in conflict with the application but cited to understand the principle or theory underlying the invention

"X" document of particular relevance; the claimed invention cannot be considered novel or cannot be considered to involve an inventive step when the document is taken alone

"Y" document of particular relevance; the claimed invention cannot be considered to involve an inventive step when the document is combined with one or more other such documents, such combination being obvious to a person skilled in the art.

"&" document member of the same patent family

Date of the actual completion of the international search

6 April 2010

Date of mailing of the international search report

14/04/2010

Name and mailing address of the ISA/

European Patent Office, P.B. 5818 Patentlaan 2
NL - 2280 HV Rijswijk
Tel. (+31-70) 340-2040,
Fax: (+31-70) 340-3016

Authorized officer

Giorgini, Gabriele

INTERNATIONAL SEARCH REPORT

International application No
PCT/HU2008/000128

C(Continuation). DOCUMENTS CONSIDERED TO BE RELEVANT		
Category'	Citation of document, with indication, where appropriate, of the relevant passages	Relevant to claim No.
A	GB 2 275 970 A (DAVIES KENNETH MORGAN [GB]) 14 September 1994 (1994-09-14) the whole document -----	1-15

INTERNATIONAL SEARCH REPORT

Information on patent family members

International application No PCT/HU2008/000128

Patent document cited in search report	Publication date	Publication date	Patent family member(s)	Publication date
WO 2006089425	A1	31-08-2006	CA 2498635 A1 CA 2579587 A1 US 2007296219 A1	28-08-2006 31-08-2006 27-12-2007
US 6191496	B1	20-02-2001	US 2002047276 A1	25-04-2002
GB 2378225	A	05-02-2003	NONE	
DE 3928538	A1	07-03-1991	DE 8910320 U1	09-01-1992
GB 2275970	A	14-09-1994	NONE	