



US00D735679S

(12) **United States Design Patent**
Masters et al.

(10) **Patent No.:** **US D735,679 S**

(45) **Date of Patent:** **** Aug. 4, 2015**

(54) **PROTECTIVE RELAY REPLACEMENT**

(71) Applicant: **ABB Technology AG**, Zurich (CH)

(72) Inventors: **Timothy F. Masters**, Boca Raton, FL (US); **Armando Varela**, Boca Raton, FL (US)

(73) Assignee: **ABB Technology AG**, Zurich (CH)

(**) Term: **14 Years**

(21) Appl. No.: **29/465,681**

(22) Filed: **Aug. 30, 2013**

(51) **LOC (10) Cl.** **13-03**

(52) **U.S. Cl.**

USPC **D13/159**; D13/169

(58) **Field of Classification Search**

USPC D13/110, 123, 146, 147, 151, 153, 154, D13/158-164, 171, 174, 184, 199, 169; D14/240, 356-358, 434; 439/532, 536, 439/540.1, 541.5, 613, 614, 884, 894, 895; 361/42, 44, 50, 71, 115, 608, 622, 627, 361/628, 634, 690; 200/43.14, 50.01, 200/50.21-50.23

CPC H01H 13/705; H01H 13/88; H01H 2011/0087; H01H 2205/016; H01H 2221/05; H01H 2227/016; H01H 2227/026; H01H 2229/02; H01H 2229/036; H01H 13/04; H01H 13/48; H01H 1/58; H01T 13/34; H02H 9/02

See application file for complete search history.

(56) **References Cited**

U.S. PATENT DOCUMENTS

D254,849 S * 4/1980 Matsuda D13/171
D256,011 S * 7/1980 Matsuda D13/171

D307,578 S * 5/1990 Carson et al. D13/158
D312,611 S * 12/1990 Watson et al. D13/158
D518,793 S * 4/2006 Hedderich et al. D13/162
D519,466 S * 4/2006 Merritt et al. D13/158
D522,465 S * 6/2006 Lombardi et al. D13/171
D523,824 S * 6/2006 Lombardi et al. D13/169
D581,879 S * 12/2008 Dukerschein et al. D13/162
D612,340 S * 3/2010 Mayo et al. D13/174
D640,641 S * 6/2011 Felegy et al. D13/162
D649,122 S * 11/2011 Jacoby et al. D13/162
D711,837 S * 8/2014 Clymer et al. D13/162
2009/0236918 A1 * 9/2009 Drane et al. 307/139

* cited by examiner

Primary Examiner — Thomas Johannes

Assistant Examiner — Shawn T Gingrich

(74) *Attorney, Agent, or Firm* — Denis Ticak

(57) **CLAIM**

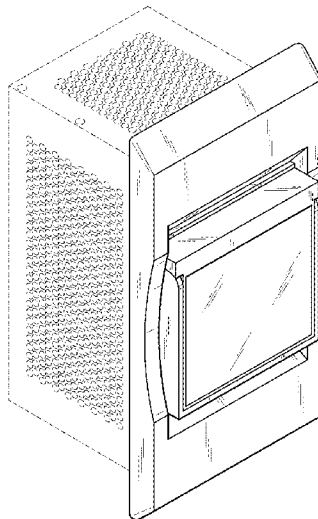
We claim the ornamental design for a protective relay replacement, as shown and described.

DESCRIPTION

FIG. 1 is a front and left side perspective view of a protective relay replacement of the present invention; FIG. 2 is a right rear perspective view thereof; FIG. 3 is a front view thereof; FIG. 4 is a top view thereof; FIG. 5 is a right side view thereof; FIG. 6 is a left side view thereof; FIG. 7 is a rear view thereof; and, FIG. 8 is a bottom view thereof.

The broken line portion of the figure drawings is included to show unclaimed subject matter only and forms no part of the claimed design.

1 Claim, 3 Drawing Sheets



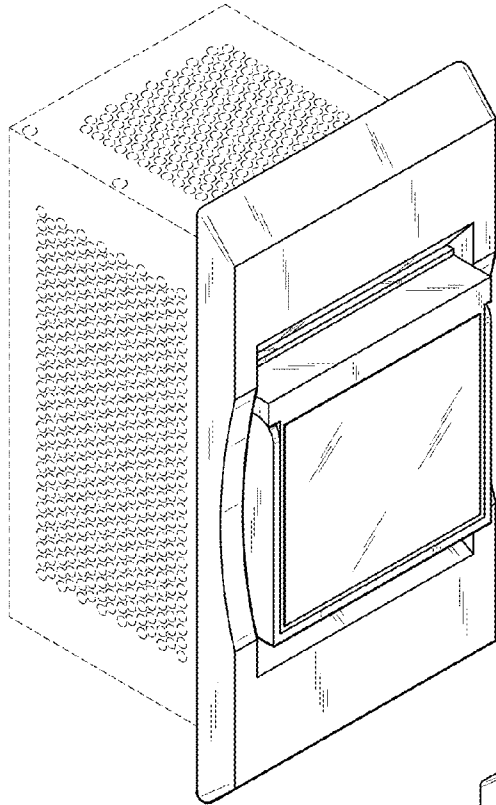


FIG. 1

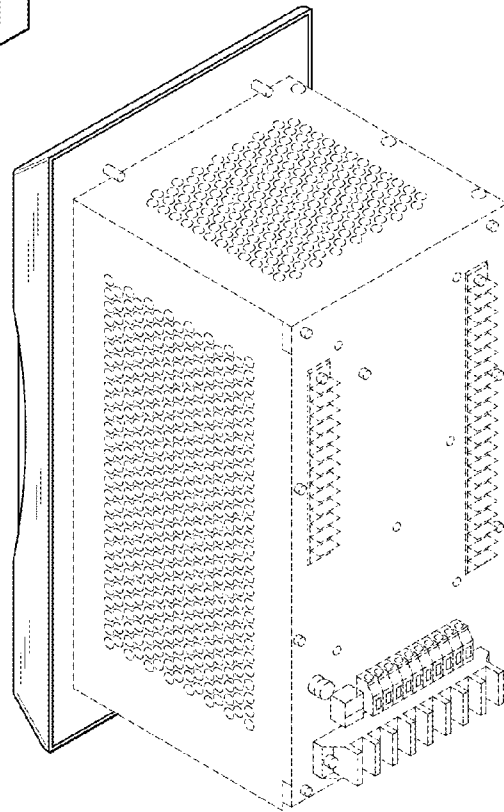


FIG. 2

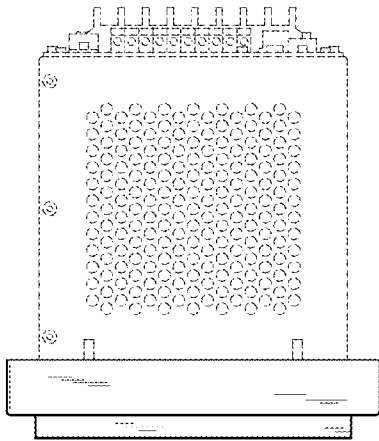


FIG. 4

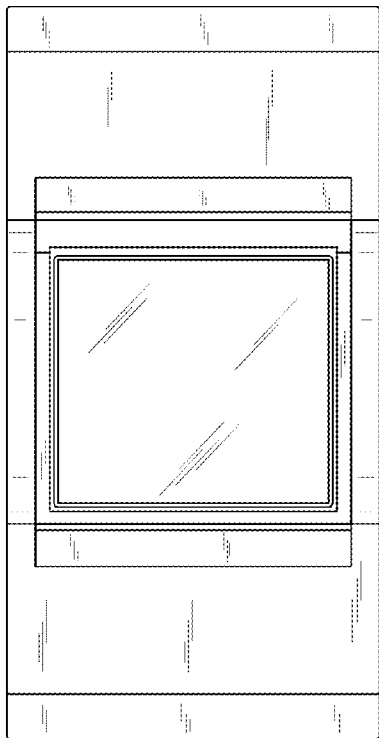


FIG. 3

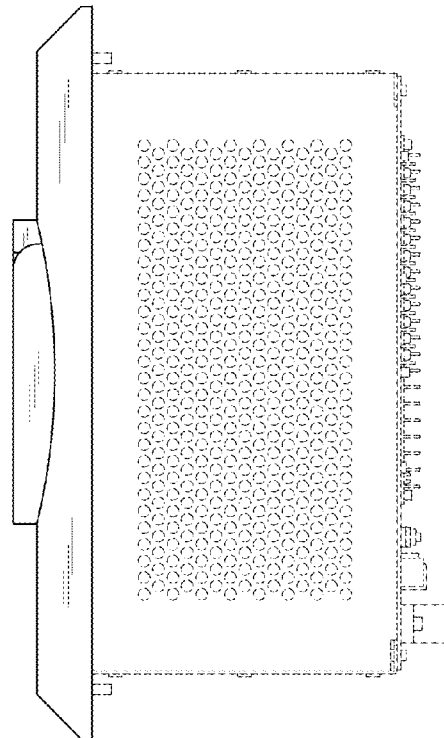


FIG. 5

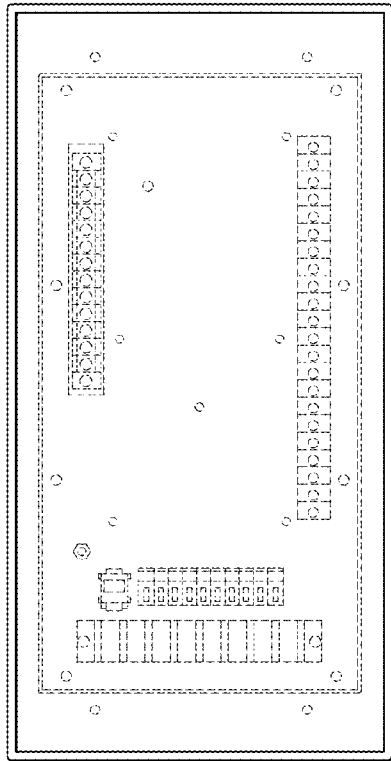


FIG. 7

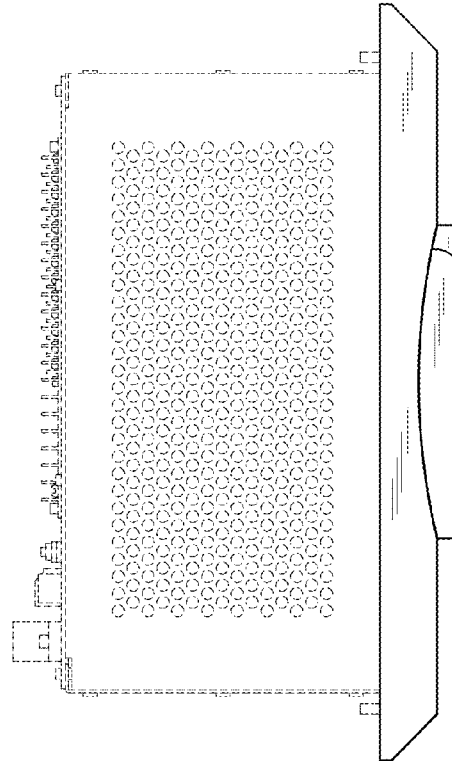


FIG. 6

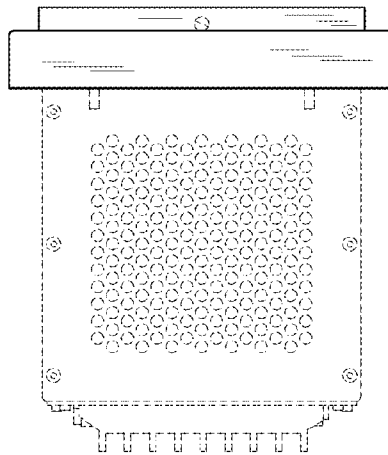


FIG. 8