



(12) **United States Design Patent**
Hemmingen-Redschlag et al.

(10) **Patent No.:** **US D975,751 S**
(45) **Date of Patent:** **** *Jan. 17, 2023**

(54) **PUMP FOR LIQUIDS**

(56) **References Cited**

(71) Applicant: **Qonqave GmbH, Wernau (DE)**

U.S. PATENT DOCUMENTS

(72) Inventors: **Lars Freiherr Varnbüler von und zu Hemmingen-Redschlag, Wiernsheim-Pinache (DE); Alois Krutzenbichler, Starnberg (DE); Nico Haug, Sindelfingen (DE); Raymond Ritschka, Weissach (DE)**

D339,143 S *	9/1993	Whitley, II	D15/7
D372,921 S *	8/1996	Ijiri	D15/7
D394,067 S *	5/1998	Kon	D15/7
D471,562 S *	3/2003	Kagami	D15/7
D471,917 S *	3/2003	Kagami	D15/7
D503,411 S *	3/2005	Fujiwara	D15/7
D510,363 S *	10/2005	Leone	D15/7
D556,780 S *	12/2007	Tazioli	D15/7
D565,600 S *	4/2008	Tazioli	D15/7
D605,205 S *	12/2009	Guoli	D15/7
D625,740 S *	10/2010	Varini	D15/7
D689,908 S *	9/2013	Rogers	D15/7
D721,390 S *	1/2015	Walter	D15/7
D765,146 S *	8/2016	Takeda	D15/7

(73) Assignee: **Watson-Marlow GmbH—qonqave, Wernau (DE)**

(*) Notice: This patent is subject to a terminal disclaimer.

(Continued)

(**) Term: **15 Years**

FOREIGN PATENT DOCUMENTS

(21) Appl. No.: **35/509,548**

WO	WO-2021078897 A1 *	4/2021	F04B 43/0054
WO	WO-2021078898 A1 *	4/2021	F04B 43/0009

(22) Filed: **Apr. 24, 2020**

(Continued)

(80) **Hague Agreement Data**

Int. Filing Date: **Apr. 24, 2020**
Int. Reg. No.: **DM/208381**
Int. Reg. Date: **Apr. 24, 2020**
Int. Reg. Pub. Date: **Jun. 5, 2020**

Primary Examiner — Richard E Chilcot

(74) *Attorney, Agent, or Firm* — Banner & Witcoff, Ltd.

(30) **Foreign Application Priority Data**

Oct. 25, 2019 (EM) 007122635

(51) **LOC (14) Cl.** **15-02**

(52) **U.S. Cl.**

USPC **D15/7**

CPC **F04B 43/0072 (2013.01)**

(58) **Field of Classification Search**

USPC D15/7-9; D23/225, 231, 232; 417/60, 417/235, 265, 321, 355, 358, 363, 359, 417/410.1, 415, 416, 405, 900, 269, 539
CPC F04B 43/0072; F04B 43/123; F04B 43/0054; F04B 43/084; F04B 53/16; F04B 53/20; F04B 53/22; F04C 5/00

See application file for complete search history.

(57) **CLAIM**

The ornamental design for a pump for liquids, as shown and described.

DESCRIPTION

1 Pump for liquids

1.1 : is a top view;

1.2 : is a front view;

1.3 : is a left side view;

1.4 : is a perspective view;

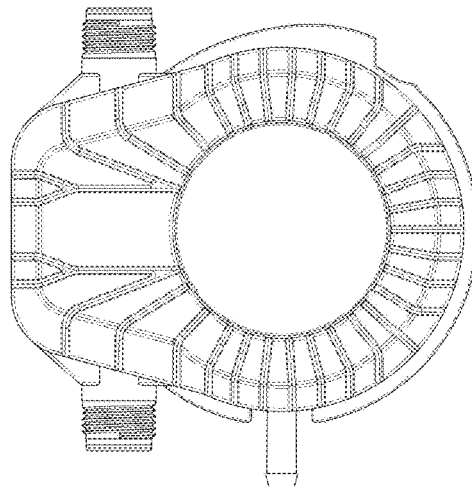
1.5 : is a second perspective view;

1.6 : is a third perspective view; and

1.7 : is a fourth perspective view.

The portion of the article shown in broken lines form no part of the claimed design.

1 Claim, 7 Drawing Sheets



(56)

References Cited

U.S. PATENT DOCUMENTS

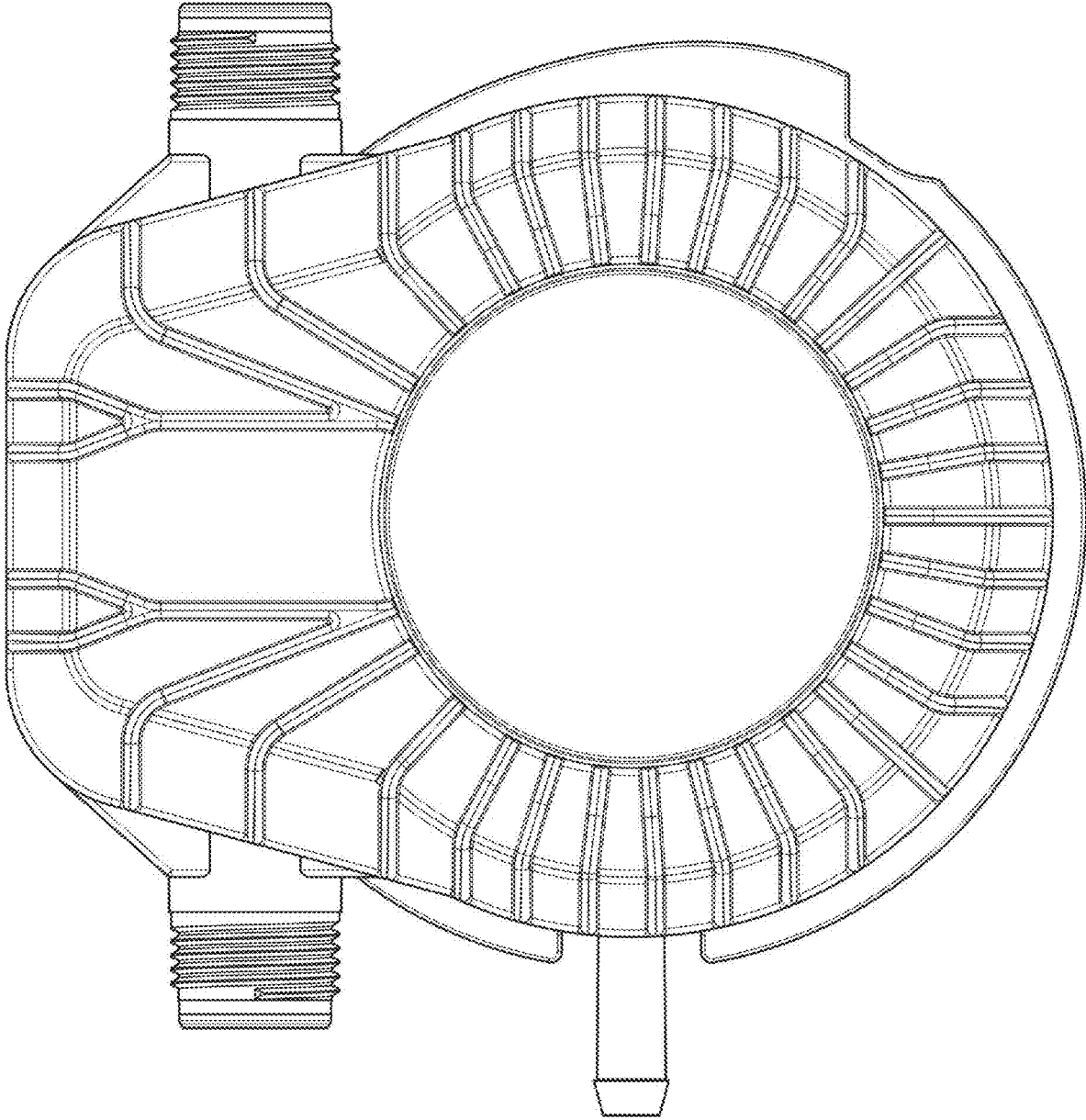
D781,922 S * 3/2017 Suwabe D15/7
D781,924 S * 3/2017 Araki D15/7
D800,791 S * 10/2017 Pin, III D15/7
D817,360 S * 5/2018 Dietzsch D15/7
D826,283 S * 8/2018 Mead D15/7
D848,487 S * 5/2019 van Opdorp D15/7
D861,043 S * 9/2019 Suwabe F02M 37/04
D15/7
D907,067 S * 1/2021 Rosamilia F04D 7/04
D15/7
D918,962 S * 5/2021 Houguchi D15/7
D933,714 S * 10/2021 Brevini D15/7

FOREIGN PATENT DOCUMENTS

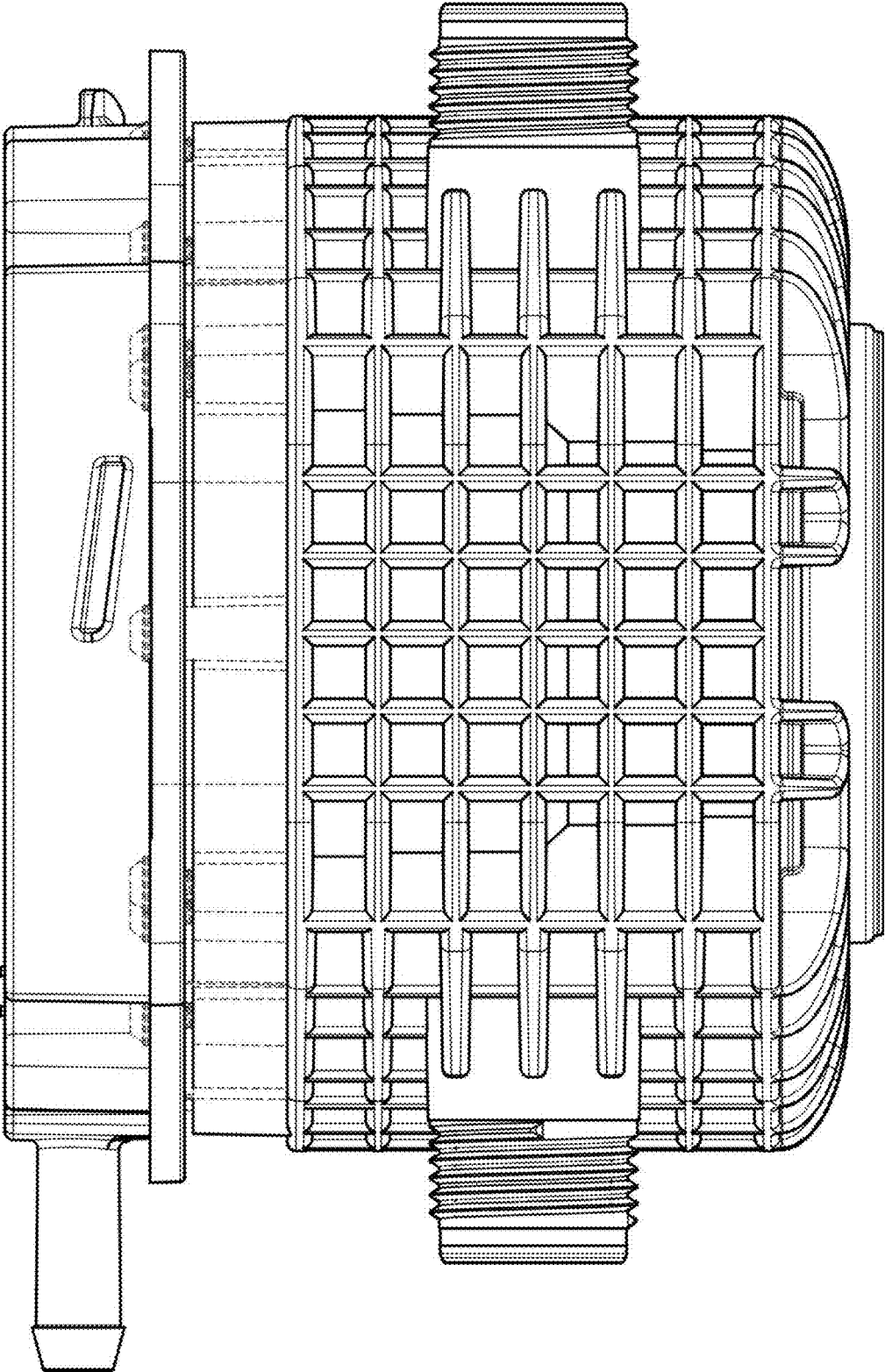
WO WO-2021078900 A1 * 4/2021 F04B 43/0009
WO WO-2021078902 A1 * 4/2021 F04B 43/0009

* cited by examiner

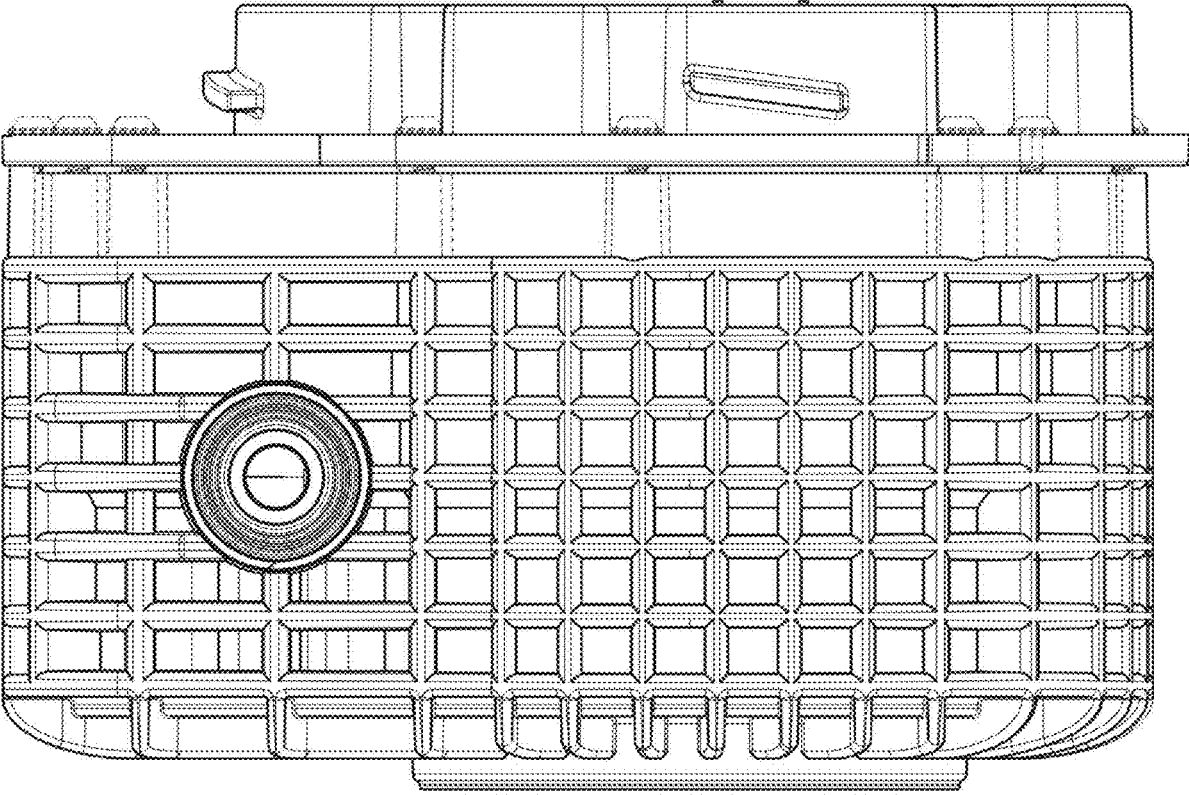
1.1



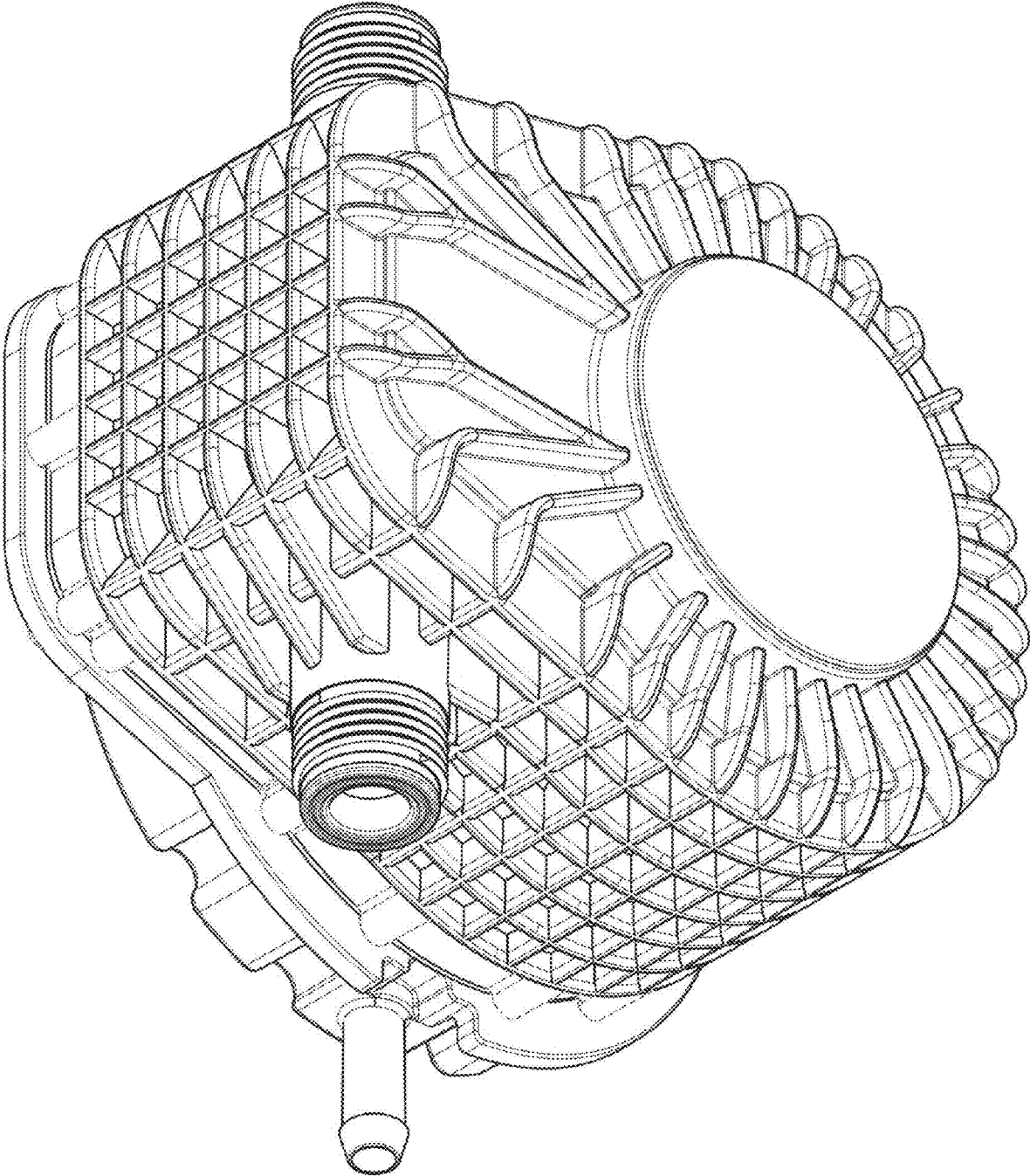
1.2



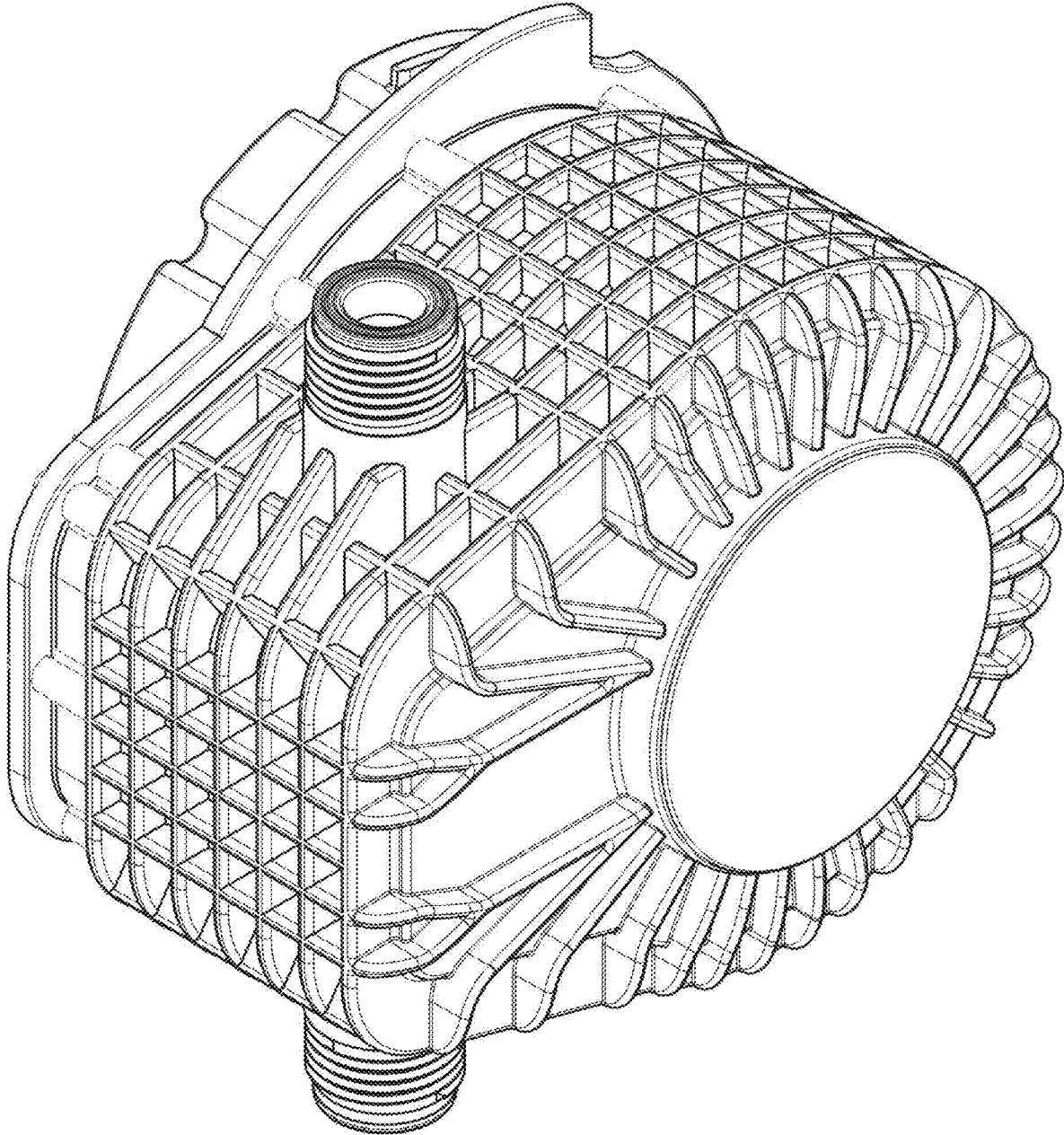
1.3



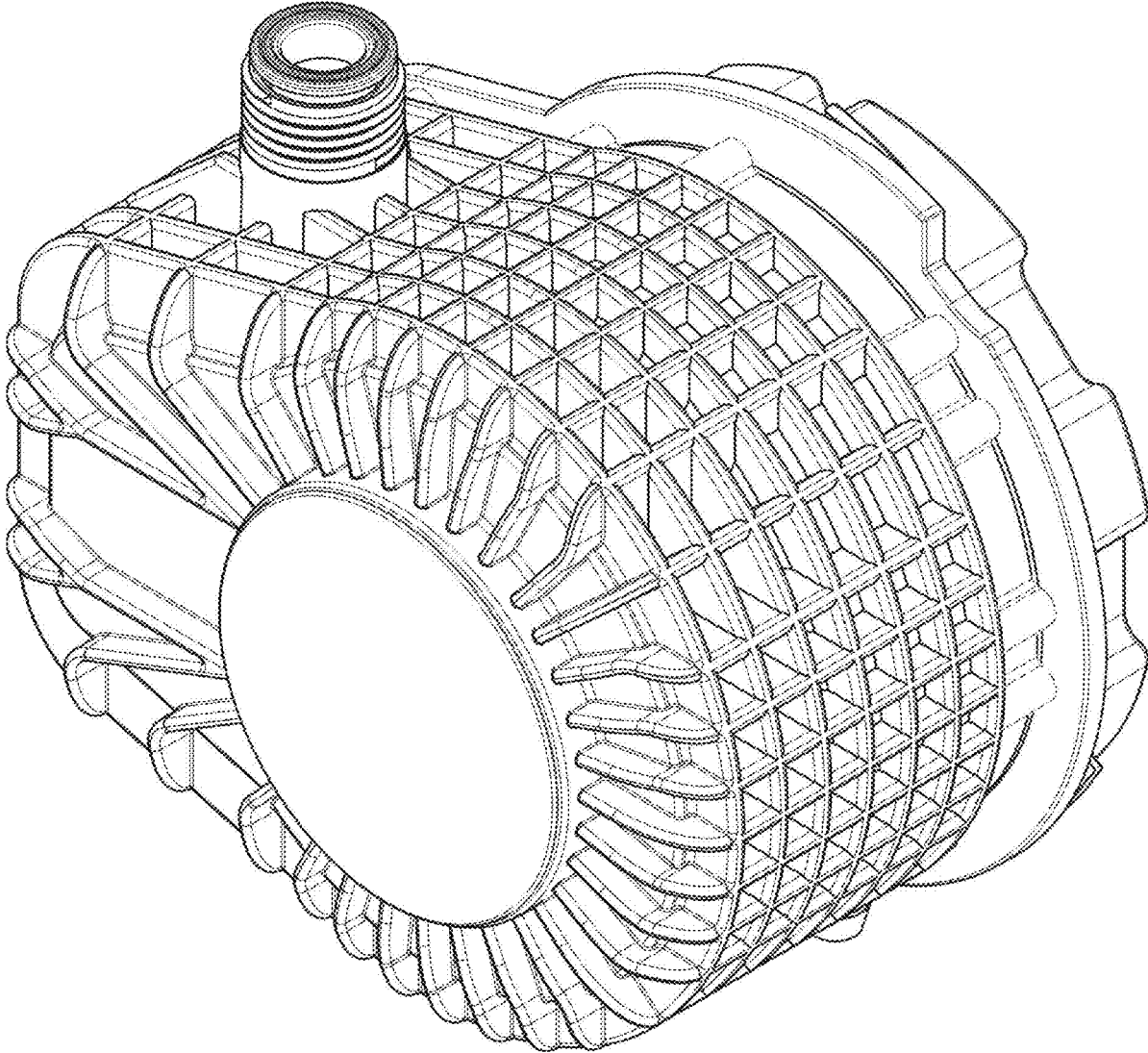
1.4



1.5



1.6



1.7

