



US00D544087S

(12) **United States Design Patent**
Baraky et al.

(10) **Patent No.:** **US D544,087 S**

(45) **Date of Patent:** **** Jun. 5, 2007**

(54) **ELECTRIC AIR FRESHENER**

(75) Inventors: **David Baraky**, New Albany, OH (US);
Robert Bussom, Pickerington, OH (US)

(73) Assignee: **Bath & Body Works Brand Management, Inc.**, Reynoldsburg, OH (US)

(**) Term: **14 Years**

(21) Appl. No.: **29/265,227**

(22) Filed: **Aug. 28, 2006**

(51) **LOC (8) Cl.** **23-99**

(52) **U.S. Cl.** **D23/366**

(58) **Field of Classification Search** 392/341,
392/342, 386, 390, 392-394, 401-406; D28/5,
D28/6; 239/34-35, 53-60, 135-136, 326-327,
239/338; D23/355-369; 261/DIG. 17, DIG. 42,
261/DIG. 65, DIG. 88, DIG. 89

See application file for complete search history.

(56) **References Cited**

U.S. PATENT DOCUMENTS

D228,287 S *	9/1973	Costello	D23/360
D262,652 S *	1/1982	Jaeschke et al.	D23/369
5,136,684 A *	8/1992	Lonker et al.	392/392
D357,330 S *	4/1995	Wong et al.	D26/51
D366,521 S *	1/1996	Wijaranakula	D23/366

5,522,008 A *	5/1996	Bernard	392/392
5,574,821 A *	11/1996	Babasade	392/392
D390,939 S *	2/1998	Colandro	D23/366
D460,170 S *	7/2002	Hart et al.	D23/366
D508,285 S *	8/2005	Velicescu	D23/366
D508,559 S *	8/2005	Spiegel et al.	D23/366

* cited by examiner

Primary Examiner—Sandra Snapp

(74) *Attorney, Agent, or Firm*—Ward & Olivo

(57) **CLAIM**

The ornamental design for an electric air freshener, as shown and described.

DESCRIPTION

FIG. 1 is a front perspective view of an electric air freshener showing our new design;

FIG. 2 is a front view thereof;

FIG. 3 is a back view thereof;

FIG. 4 is a right side view thereof;

FIG. 5 is a left side view thereof;

FIG. 6 is a top view thereof, and,

FIG. 7 is a bottom view thereof.

The broken lines shown in the drawings are for illustrative purposes only and form no part of the claimed design.

1 Claim, 3 Drawing Sheets

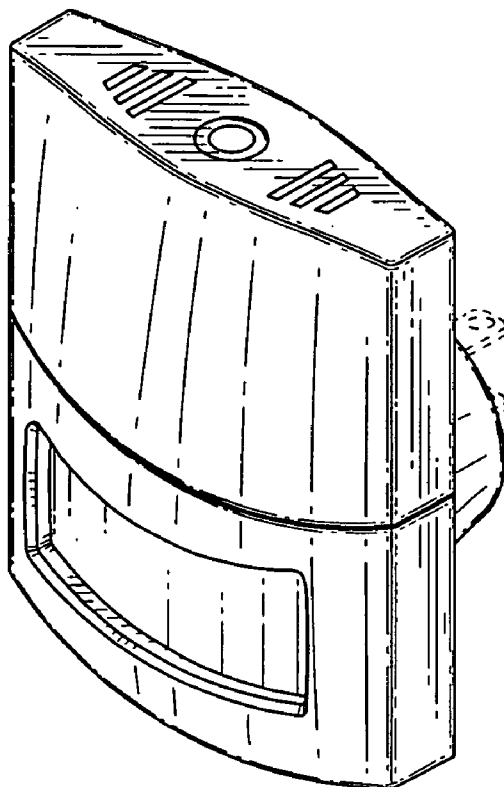


FIG. 1

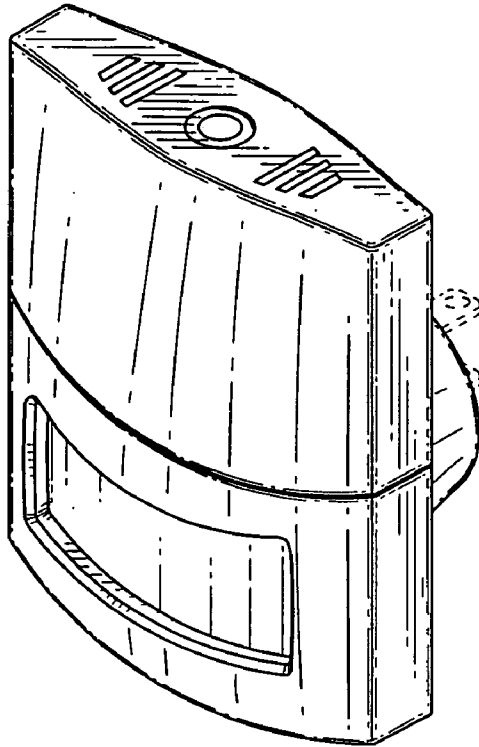


FIG. 2

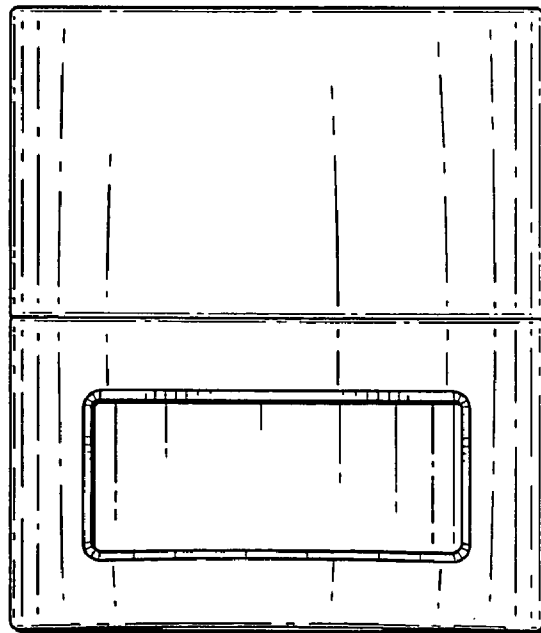


FIG. 3

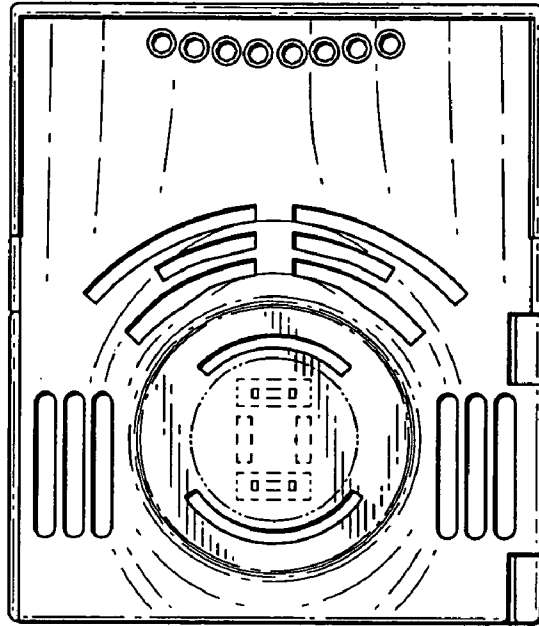


FIG. 4

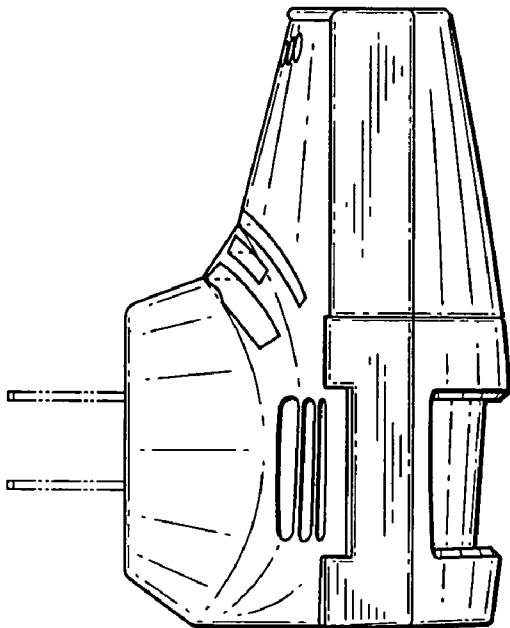


FIG. 5

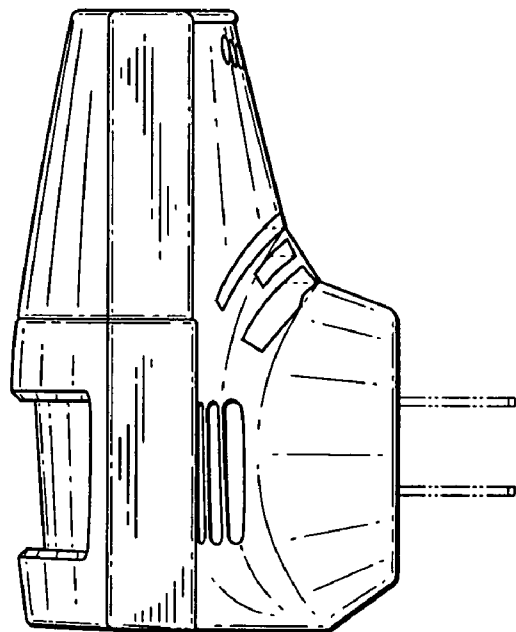


FIG. 6

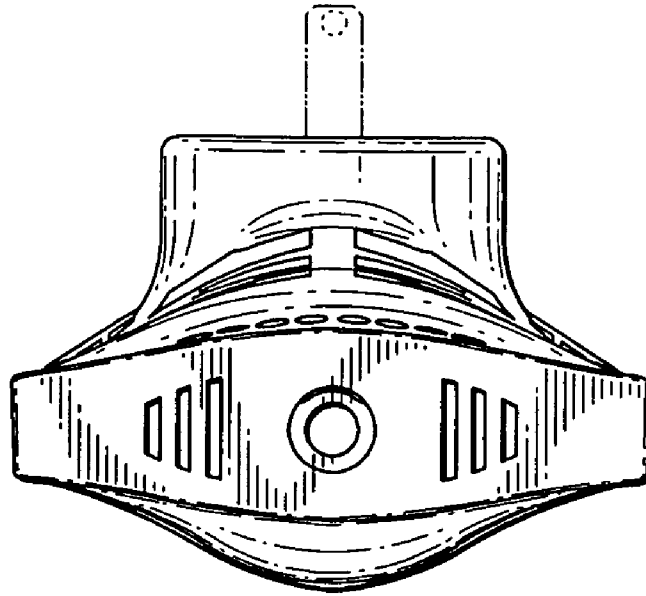


FIG. 7

