



- (51) International Patent Classification:  
*A61F 2/46* (2006.01)     *A61B 19/00* (2006.01)  
*A61B 17/17* (2006.01)     *A61F 2/30* (2006.01)
- (21) International Application Number:  
PCT/GB2013/052485
- (22) International Filing Date:  
23 September 2013 (23.09.2013)
- (25) Filing Language: English
- (26) Publication Language: English
- (30) Priority Data:  
1216853.0     21 September 2012 (21.09.2012)     GB

- (72) Inventor; and
- (71) Applicant : **LANGTON, David** [GB/GB]; 199 Rodsley Avenue, Gateshead, Tyne and Wear NE8 4LB (GB).
- (74) Agent: **ELSWORTH, Dominic**; Cooper's Studios, 14-18 Westgate Road, Newcastle-Upon-Tyne, Tyne and Wear NE1 3NN (GB).
- (81) Designated States (*unless otherwise indicated, for every kind of national protection available*): AE, AG, AL, AM, AO, AT, AU, AZ, BA, BB, BG, BH, BN, BR, BW, BY, BZ, CA, CH, CL, CN, CO, CR, CU, CZ, DE, DK, DM, DO, DZ, EC, EE, EG, ES, FI, GB, GD, GE, GH, GM, GT, HN, HR, HU, ID, IL, IN, IS, JP, KE, KG, KN, KP, KR, KZ, LA, LC, LK, LR, LS, LT, LU, LY, MA, MD, ME, MG, MK, MN, MW, MX, MY, MZ, NA, NG, NI, NO, NZ, OM, PA, PE, PG, PH, PL, PT, QA, RO, RS, RU, RW, SA,

[Continued on next page]

(54) Title: PROSTHETIC HIP ALIGNMENT DEVICE

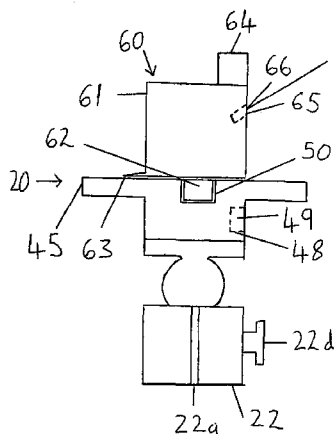


FIGURE 4a

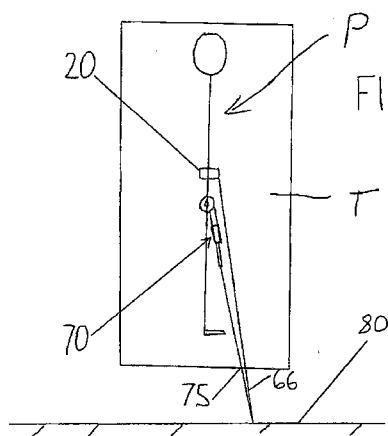


FIGURE 6

(57) Abstract: A prosthetic hip alignment apparatus includes a medical instrument (20) comprising a mount attachable to a bone and first (22), second (30), third (40) and fourth (60) members. Adjacent ones of the first, second, third and fourth members are rotatable with respect to each other about a first axis, and between one of the first to fourth members and another means permitting rotation about second and third axes is provided. One of the member mounts a level (64) and wherein one of said members mounts direction indicator (65).



SC, SD, SE, SG, SK, SL, SM, ST, SV, SY, TH, TJ, TM, TN, TR, TT, TZ, UA, UG, US, UZ, VC, VN, ZA, ZM, ZW.

**(84) Designated States** (unless otherwise indicated, for every kind of regional protection available): ARIPO (BW, GH, GM, KE, LR, LS, MW, MZ, NA, RW, SD, SL, SZ, TZ, UG, ZM, ZW), Eurasian (AM, AZ, BY, KG, KZ, RU, TJ, TM), European (AL, AT, BE, BG, CH, CY, CZ, DE, DK, EE, ES, FI, FR, GB, GR, HR, HU, IE, IS, IT, LT, LU, LV, MC, MK, MT, NL, NO, PL, PT, RO, RS, SE, SI, SK, SM, TR), OAPI (BF, BJ, CF, CG, CI, CM, GA, GN, GQ, GW, KM, ML, MR, NE, SN, TD, TG).

**Published:**

- with international search report (Art. 21(3))
- before the expiration of the time limit for amending the claims and to be republished in the event of receipt of amendments (Rule 48.2(h))

**(88) Date of publication of the international search report:**

30 May 2014

## INTERNATIONAL SEARCH REPORT

International application No  
PCT/GB2013/052485

A. CLASSIFICATION OF SUBJECT MATTER INV. A61F2/46 ADD. A61B17/17      A61B19/00      A61F2/30		
According to International Patent Classification (IPC) or to both national classification and IPC		
B. FIELDS SEARCHED		
Minimum documentation searched (classification system followed by classification symbols) A61F A61B		
Documentation searched other than minimum documentation to the extent that such documents are included in the fields searched		
Electronic data base consulted during the international search (name of data base and, where practicable, search terms used) EPO-Internal, WPI Data		
C. DOCUMENTS CONSIDERED TO BE RELEVANT		
Category*	Citation of document, with indication, where appropriate, of the relevant passages	Relevant to claim No.
A	WO 2010/128320 A1 (DEPUY INT LTD [GB]; BEVERLAND DAVID [GB]; FREEMAN ROBERT [GB]; GOWERS) 11 November 2010 (2010-11-11) page 5, line 18 - page 10, line 4 -----	1-50
A	US 5 141 512 A (FARMER MALCOLM H [IE] ET AL) 25 August 1992 (1992-08-25) cited in the application column 8, line 64 - column 11, line 22 -----	1-50
A	EP 1 982 676 A2 (FINSBURY DEV LTD [GB]) 22 October 2008 (2008-10-22) paragraphs [0066] - [0068] -----	1-50
<input type="checkbox"/> Further documents are listed in the continuation of Box C. <input checked="" type="checkbox"/> See patent family annex.		
* Special categories of cited documents :		
"A" document defining the general state of the art which is not considered to be of particular relevance	"T" later document published after the international filing date or priority date and not in conflict with the application but cited to understand the principle or theory underlying the invention	
"E" earlier application or patent but published on or after the international filing date	"X" document of particular relevance; the claimed invention cannot be considered novel or cannot be considered to involve an inventive step when the document is taken alone	
"L" document which may throw doubts on priority claim(s) or which is cited to establish the publication date of another citation or other special reason (as specified)	"Y" document of particular relevance; the claimed invention cannot be considered to involve an inventive step when the document is combined with one or more other such documents, such combination being obvious to a person skilled in the art	
"O" document referring to an oral disclosure, use, exhibition or other means	"&" document member of the same patent family	
"P" document published prior to the international filing date but later than the priority date claimed		
Date of the actual completion of the international search  9 January 2014	Date of mailing of the international search report  07/04/2014	
Name and mailing address of the ISA/ European Patent Office, P.B. 5818 Patentlaan 2 NL - 2280 HV Rijswijk Tel. (+31-70) 340-2040, Fax: (+31-70) 340-3016	Authorized officer  Buchmann, Gerhard	

# INTERNATIONAL SEARCH REPORT

International application No.  
PCT/GB2013/052485

## Box No. II Observations where certain claims were found unsearchable (Continuation of item 2 of first sheet)

This international search report has not been established in respect of certain claims under Article 17(2)(a) for the following reasons:

1.  Claims Nos.:  
because they relate to subject matter not required to be searched by this Authority, namely:
  
2.  Claims Nos.: 56-58  
because they relate to parts of the international application that do not comply with the prescribed requirements to such an extent that no meaningful international search can be carried out, specifically:  
see FURTHER INFORMATION sheet PCT/ISA/210
  
3.  Claims Nos.:  
because they are dependent claims and are not drafted in accordance with the second and third sentences of Rule 6.4(a).

## Box No. III Observations where unity of invention is lacking (Continuation of item 3 of first sheet)

This International Searching Authority found multiple inventions in this international application, as follows:

see additional sheet

1.  As all required additional search fees were timely paid by the applicant, this international search report covers all searchable claims.
  
2.  As all searchable claims could be searched without effort justifying an additional fees, this Authority did not invite payment of additional fees.
  
3.  As only some of the required additional search fees were timely paid by the applicant, this international search report covers only those claims for which fees were paid, specifically claims Nos.:
  
4.  No required additional search fees were timely paid by the applicant. Consequently, this international search report is restricted to the invention first mentioned in the claims; it is covered by claims Nos.:  
1-50

### Remark on Protest

- The additional search fees were accompanied by the applicant's protest and, where applicable, the payment of a protest fee.
- The additional search fees were accompanied by the applicant's protest but the applicable protest fee was not paid within the time limit specified in the invitation.
- No protest accompanied the payment of additional search fees.

# INTERNATIONAL SEARCH REPORT

Information on patent family members

International application No

PCT/GB2013/052485

Patent document cited in search report	Publication date	Patent family member(s)	Publication date
WO 2010128320	A1	11-11-2010	
		AU 2010244214 A1	01-12-2011
		CN 102421392 A	18-04-2012
		DK 2427148 T3	26-08-2013
		EP 2427148 A1	14-03-2012
		ES 2417810 T3	09-08-2013
		JP 2012525890 A	25-10-2012
		US 2012116468 A1	10-05-2012
		WO 2010128320 A1	11-11-2010
-----			
US 5141512	A	25-08-1992	NONE
-----			
EP 1982676	A2	22-10-2008	
		EP 1982676 A2	22-10-2008
		US 2009099665 A1	16-04-2009
-----			

**FURTHER INFORMATION CONTINUED FROM PCT/ISA/ 210**

This International Searching Authority found multiple (groups of) inventions in this international application, as follows:

1. claims: 1-50

A medical instrument comprising a mount attachable to a bone, and first, second, third and fourth members, wherein adjacent ones of the first, second, third and fourth members are rotatable with respect to each other about a first axis, and further comprising means permitting rotation between one of the said members and another about second and third axes, wherein one of said members mounts a level and wherein one of said members mounts direction indicator. The combination of the instrument with an introducer. A method of using the instrument.

---

2. claims: 51-55

An alignment device comprising a rod and mounted on the rod a spirit level and two spacers, wherein each spacer is slidably mounted with respect to the rod, and wherein each spacer element includes an element extending radially of said rod, the free end of each spacer lying in a common plane, and locking means to lock the spacers in selected positions on the rod.

---

**FURTHER INFORMATION CONTINUED FROM PCT/ISA/ 210**

Continuation of Box II.2

Claims Nos.: 56-58

Claims 56-58 try to define the subject-matter by a reference to the description and drawings only. Therefore, they are unclear to an extent that a proper search cannot be carried out for these claims.

The applicant's attention is drawn to the fact that claims relating to inventions in respect of which no international search report has been established need not be the subject of an international preliminary examination (Rule 66.1(e) PCT). The applicant is advised that the EPO policy when acting as an International Preliminary Examining Authority is normally not to carry out a preliminary examination on matter which has not been searched. This is the case irrespective of whether or not the claims are amended following receipt of the search report or during any Chapter II procedure. If the application proceeds into the regional phase before the EPO, the applicant is reminded that a search may be carried out during examination before the EPO (see EPO Guidelines C-IV, 7.2), should the problems which led to the Article 17(2) declaration be overcome.