



US0D1027269S

(12) **United States Design Patent**  
**McGee**

(10) **Patent No.:** **US D1,027,269 S**

(45) **Date of Patent:** **\*\* May 14, 2024**

(54) **LIGHTING FIXTURE**

(71) Applicant: **W Schonbek LLC**, Plattsburgh, NY  
(US)

(72) Inventor: **Molly E. McGee**, Tiverton, RI (US)

(73) Assignee: **W SCHONBEK LLC**, Plattsburgh, NY  
(US)

(\*\*) Term: **15 Years**

(21) Appl. No.: **29/910,480**

(22) Filed: **Aug. 21, 2023**

**Related U.S. Application Data**

(63) Continuation of application No. 29/791,169, filed on  
Jan. 2, 2022, now Pat. No. Des. 1,005,557.

(51) **LOC (14) Cl.** ..... **26-05**

(52) **U.S. Cl.**  
USPC ..... **D26/88**

(58) **Field of Classification Search**  
USPC ..... D26/72, 76, 80, 81, 82, 86, 88, 90, 91,  
D26/154

(Continued)

(56) **References Cited**

**U.S. PATENT DOCUMENTS**

3,598,988 A 8/1971 Link  
D260,938 S 9/1981 Zurcher

(Continued)

**OTHER PUBLICATIONS**

Eamonex Oil Rubbed Bronze LED 2200 Lumen Deformable Globe,  
ASIN: B09VLDLKP. Date first available at amazon.ca—May 26,  
2022. (Year: 2022).\*

(Continued)

*Primary Examiner* — Clare E Heflin

(74) *Attorney, Agent, or Firm* — Heslin Rothenberg  
Farley & Mesiti P.C.

(57) **CLAIM**

The ornamental design for a lighting fixture, as shown and  
described.

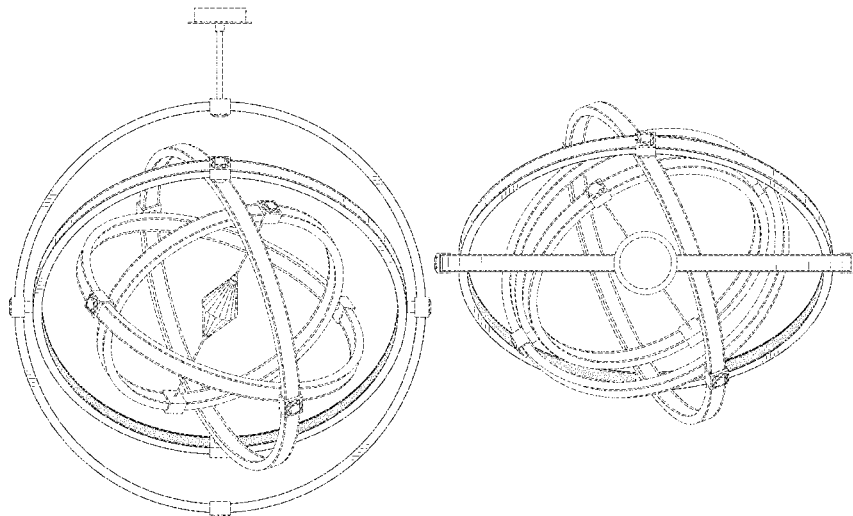
**DESCRIPTION**

FIG. 1 is a front left perspective view from below of a  
lighting fixture according to the new design;  
FIG. 2 is a front left perspective view from above thereof;  
FIG. 3 is a rear right perspective view from above thereof;  
FIG. 4 is a rear right perspective view from above thereof;  
FIG. 5 is a rear right perspective view from below thereof;  
FIG. 6 is a front elevational view thereof;  
FIG. 7 is a right side elevational view thereof;  
FIG. 8 is a left side elevational view thereof;  
FIG. 9 is a rear elevational view thereof;  
FIG. 10 is a top view thereof;  
FIG. 11 is a bottom view thereof;  
FIG. 12 is a front left perspective view from below thereof,  
but shown illuminated;  
FIG. 13 is a front left perspective view from above thereof;  
FIG. 14 is a rear right perspective view from above thereof;  
FIG. 15 is a rear right perspective view from above thereof;  
FIG. 16 is a rear right perspective view from below thereof;  
FIG. 17 is a front elevational view thereof;  
FIG. 18 is a right side elevational view thereof;  
FIG. 19 is a left side elevational view thereof;  
FIG. 20 is a rear elevational view thereof;  
FIG. 21 is a top view thereof;  
FIG. 22 is a bottom view thereof; and,  
FIG. 23 is a perspective view from below thereof in a  
collapsed configuration.

The broken lines in the drawings illustrate portions of the  
environment and the lighting fixture and form no part of the  
claimed design.

The stippling shown in FIGS. 12-17 and 20-22 is solely for  
the purpose of representing the appearance of illumination  
and does not represent texture or surface ornamentation.

**1 Claim, 23 Drawing Sheets**



- (58) **Field of Classification Search**  
 CPC ..... F21S 8/04; F21S 8/043; F21S 8/06; F21S 8/061; F21S 8/063; F21S 8/065  
 See application file for complete search history.

(56) **References Cited**

U.S. PATENT DOCUMENTS

D368,148	S	3/1996	Lee	
D481,484	S	10/2003	Cuevas et al.	
D622,893	S	8/2010	Nadell	
D697,252	S	1/2014	Baylar	
D700,988	S	3/2014	Koho	
D770,663	S	11/2016	Nicholas	
D794,861	S	8/2017	Goorsenberg	
10,161,601	B1	12/2018	Chen	
D870,950	S	12/2019	Tomlinson	
D880,046	S *	3/2020	Orozco	D26/81
D887,619	S	6/2020	Chen	
D887,620	S *	6/2020	Zhu	D26/88
D891,673	S	7/2020	Richardson et al.	
D891,678	S	7/2020	Chen	
D918,458	S	5/2021	Baylar	
D929,641	S	8/2021	Sonneman et al.	
D943,799	S	2/2022	Li	
D950,832	S	5/2022	Wiedemer	
D968,006	S *	10/2022	Gardner	D26/88
D980,494	S *	3/2023	Li	D26/80
D998,221	S *	9/2023	Montecino	D26/88
D1,005,557	S *	11/2023	McGee	D26/88
D1,011,589	S *	1/2024	Hu	D26/81
2010/0097812	A1	4/2010	Cheng	
2011/0305849	A1	12/2011	Presswood, Jr. et al.	

OTHER PUBLICATIONS

Kinetic Chandelier Model Nos. PD-61728 / PD-61738. Modern Forms specification sheet dated Feb. 2018. (Year: 2018).\*

Brayden Studio 'Clenon' Dimmable LED Pendant. Available at wayfair.com. Site visited Mar. 7, 2024. <<https://www.wayfair.com/lighting/pdp/brayden-studio-clenon-dimmable-led-pendant-w110094310.html>> (Year: 2024).\*

Zevni 'Poak' 27-Watt 1-Light Integrated LED Black Globe Chandelier. Available at homedepot.com. Site visited Mar. 7, 2024. (Year: 2024).\*

"Sideréal" Modern LED Pendant, available from Modern Place Lighting, Pensacola, Florida, printout retrieved on Aug. 22, 2023, available at <https://www.modern.place/product/sidereal-pendant-light/>, Wayback verification Crawl Presence dated Aug. 12, 2020, 6 pages, Aug. 12, 2020.

Houde3 3 Circle Dimmable Modern Acrylic Pendant LED Light 4-60-80-cm NIB, available online from ebay.com, printout retrieved on Aug. 22, 2023, available at <https://www.ebay.com/itm/283788824010?chn=ps>, 4 pages, Oct. 23, 2020.

Modern Forms Veloce 38" Wide Titanium 3-Light LED Ring Pendant, available from Modern Forms by Wangs Alliance Corpo-

ration, Port Washington, New York, printout retrieved on Aug. 22, 2023, available at [https://www.lampspplus.com/products/modern-forms-veloce-38-inch-wide-titanium-3-light-led-ring-pendant\\_55p39.html](https://www.lampspplus.com/products/modern-forms-veloce-38-inch-wide-titanium-3-light-led-ring-pendant_55p39.html), 4 pages, Jul. 28, 2019.

Veloce FLush Mount FM-24818, available from Modern forms by Wangs Alliance Corporation, Port Washington, New York, printout retrieved on Aug. 22, 2023, available at <https://www.modernforms.com/products/veloce-2/>, Wayback Verification Crawl Presence dated Jan. 18, 2020, 7 pages, Jan. 19, 2020.

Artcraft\_Lighting (available online) Retrieved from the Internet Mar. 7, 2023, from URL: <https://www.build.com/artcraft-lighting-ac6661/s1810191?uid=4286141&searchId=1vmtDCd39E>, 1 page, Mar. 7, 2023.

Elk\_Lighting (available online) Retrieved from the internet Mar. 7, 2023 from URL: <https://www.build.com/product/summary/1862769?uid=4403254>, 1 page, Mar. 7, 2023.

Geometrix (available online) Retrieved from the Internet Feb. 24, 2023, from URL: <https://www.waclighting.com/product/geometrix/>, 5 pages, Feb. 24, 2023.

Feiss (available online) Retrieved from the Internet Mar. 7, 2023, from URL: <https://www.murrayfeiss.lightingnewyork.com/product/murray-feiss-khloe-pendant-p1392sn.html>, 2 pages, Mar. 7, 2023.

Daniel Montecino and Robert De'Armond, Jr., Design U.S. Appl. No. 29/868,481, filed Dec. 5, 2022, entitled "Lighting Fixture".

Modern Cube Chandelier, available from The Rustic Pelican ([www.therusticpelican.com](http://www.therusticpelican.com)), printout retrieved on Nov. 20, 2022, available at <https://www.therusticpelican.com/products/large-modern-chandelier-farmhouse-coastal-lighting-rustic-free-shipping>. (Wayback Verification Crawl Presence dated Aug. 31, 2022), 4 pages, Aug. 31, 2022.

Crystal Empire Rustic fixture, available from W Schonbek LLC, Plattsburgh, New York, printout on Mar. 14, 2022, <https://www.schonbek.com/cy1006-core.html> (Wayback Verification Crawl Presence dated Apr. 18, 2021), 4 pages, Apr. 18, 2021.

Crystal Empire fixture, available from W Schonbek LLC, Plattsburgh, New York, printout on Mar. 14, 2022, <https://www.schonbek.com/sce120d-core-sch.html> (Wayback Verification Crawl Presence dated Sep. 22, 2020), 4 pages, Sep. 22, 2020.

Kinetic Lighting, available from Modern Forms, Port Washington, New York, retrieved on Jan. 24, 2022, available at <https://www.modernforms.com/products/kinetic/>, (Wayback Verification Crawl Presence dated Apr. 12, 2021), 11 pages, Apr. 12, 2021.

Veloce Lighting, available from Modern Forms, Port Washington, New York, retrieved on Jan. 24, 2022 available at <https://www.modernforms.com/products/veloce/>, (Wayback Verification Crawl Presence dated Apr. 4, 2018), 7 pages, Apr. 4, 2018.

Golden Lighting Atom 4 Light Chandelier, ASIN: B07TGFS73T. Date first available at amazon.com—Jun. 24, 2019, 6 pages (Year: 2019).

Molly E. McGee, Design U.S. Appl. No. 29/979,169, filed Jan. 2, 2021, entitled "Lighting Fixture".

Uttermost Rondure 15" Wide Bronze and Brass Orb Pendant, ASIN: BOOMK840NE. Available at amazon.com as early as Nov. 7, 2016, 6 pages (Year: 2016).

\* cited by examiner

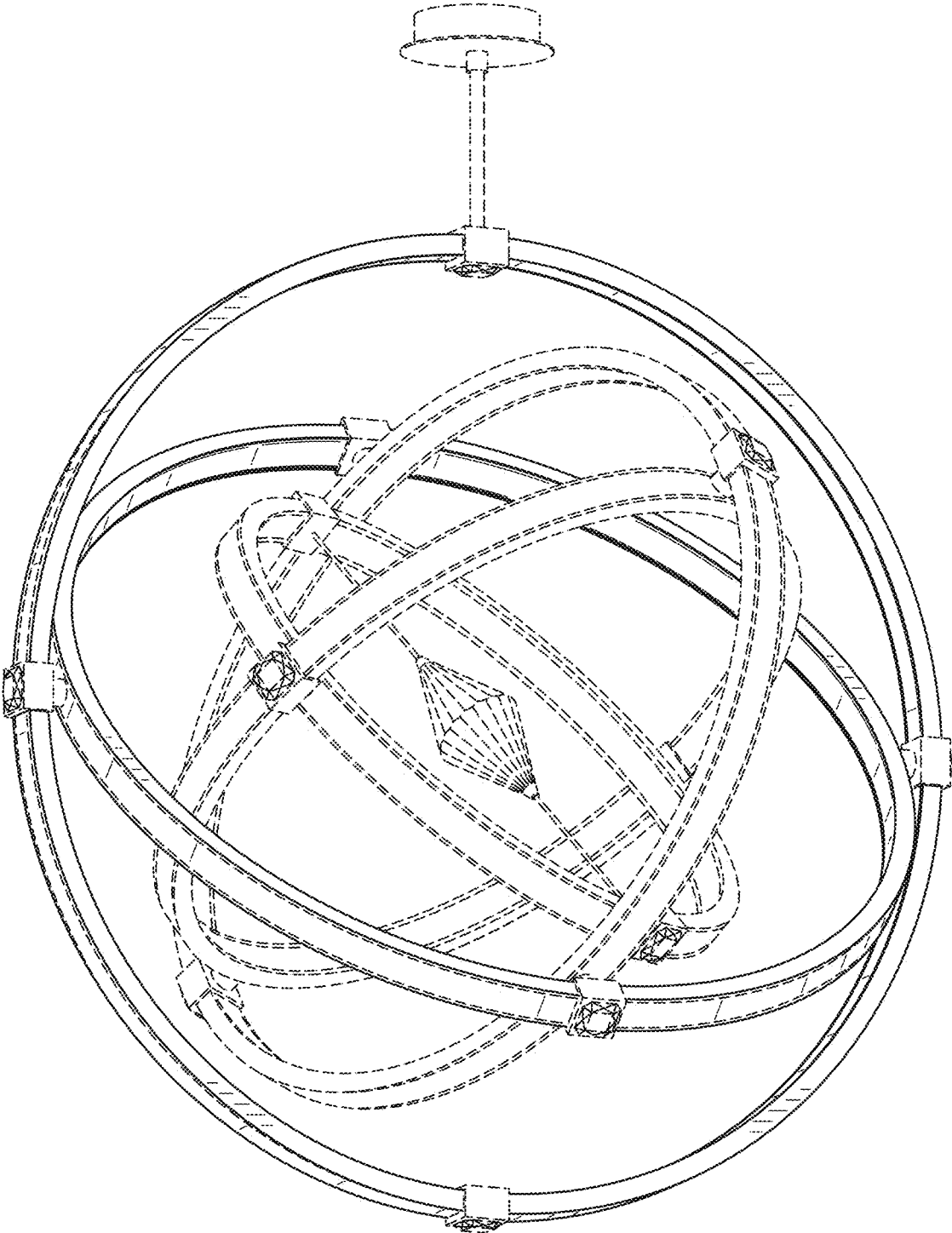


FIG. 1

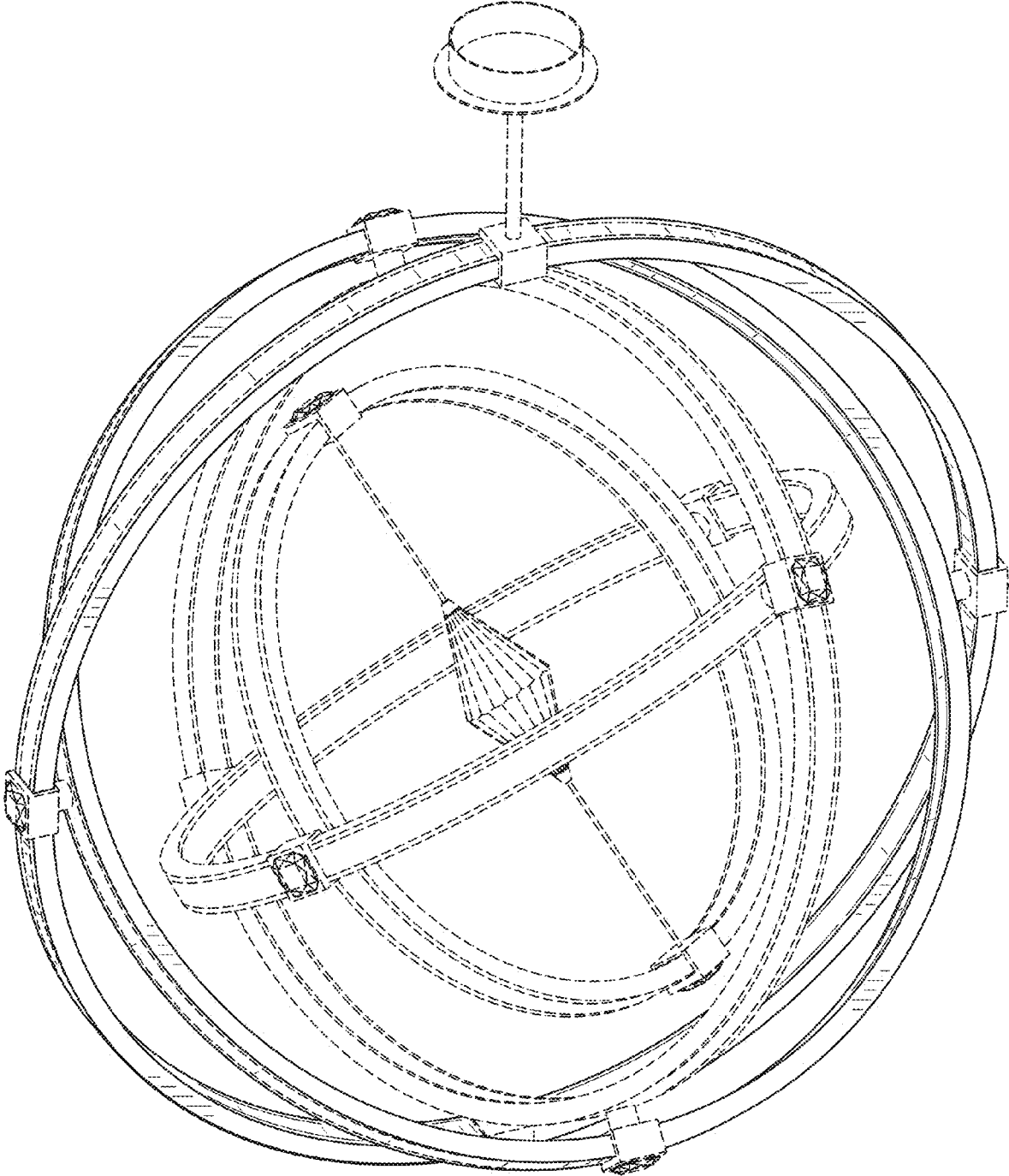


FIG. 2

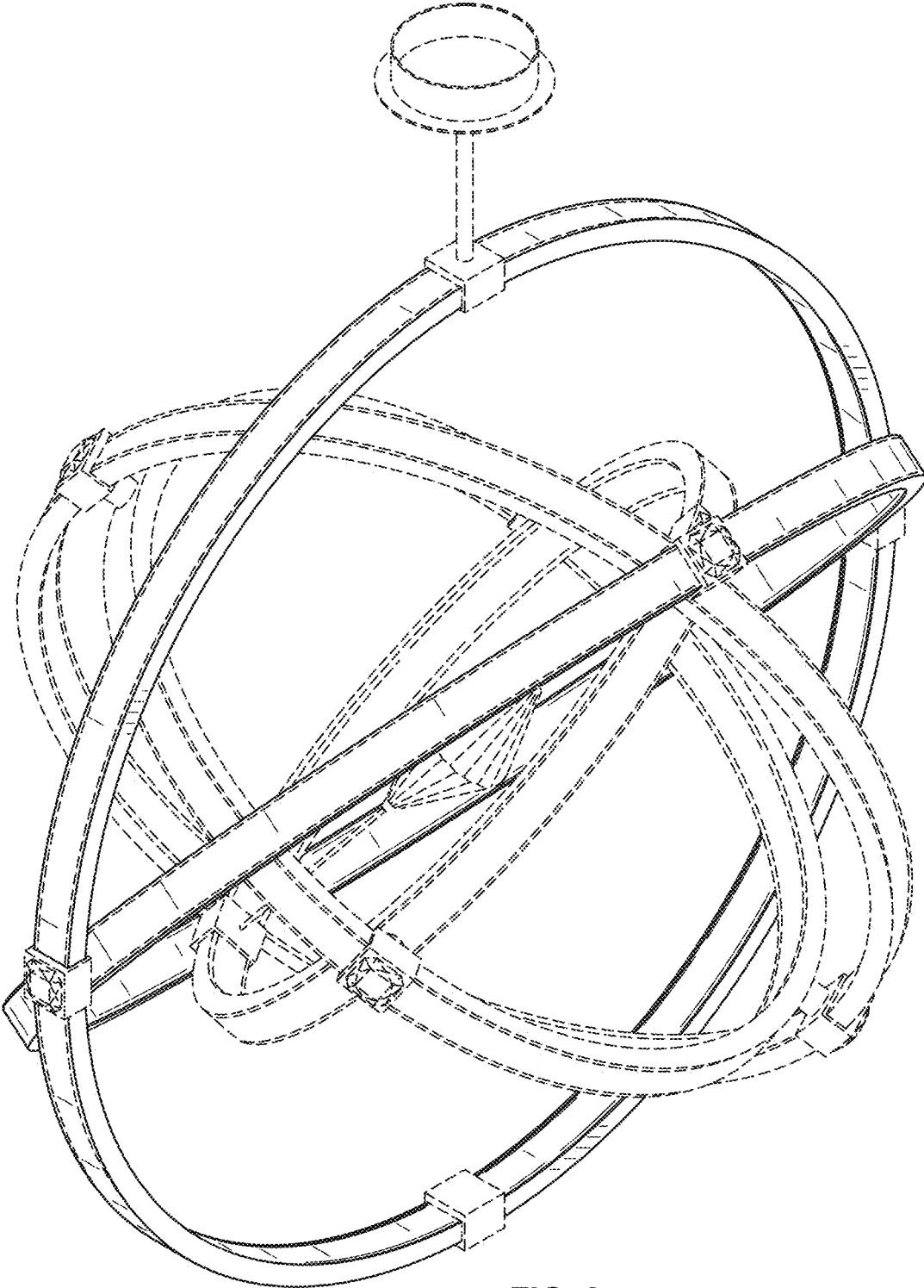


FIG. 3

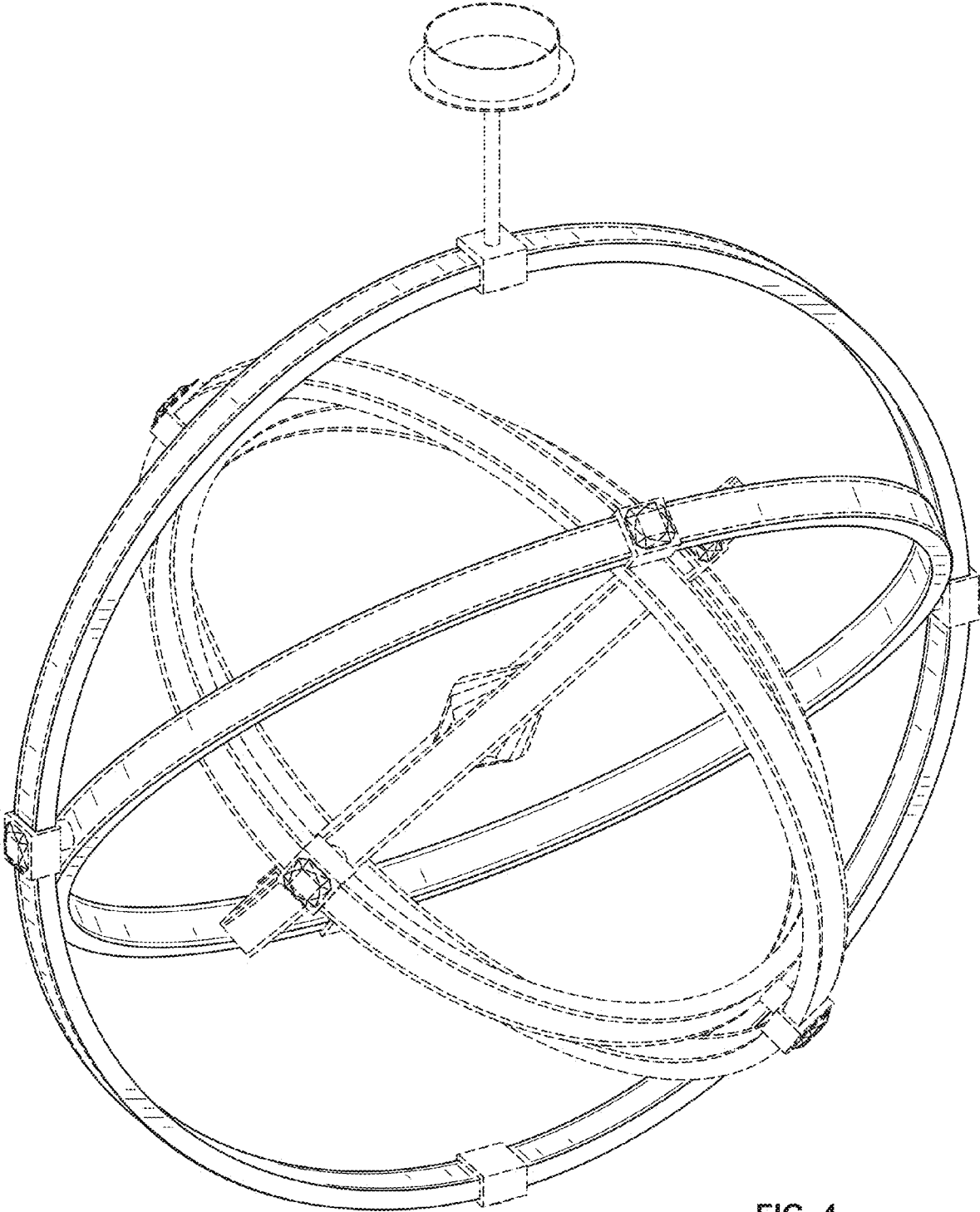


FIG. 4

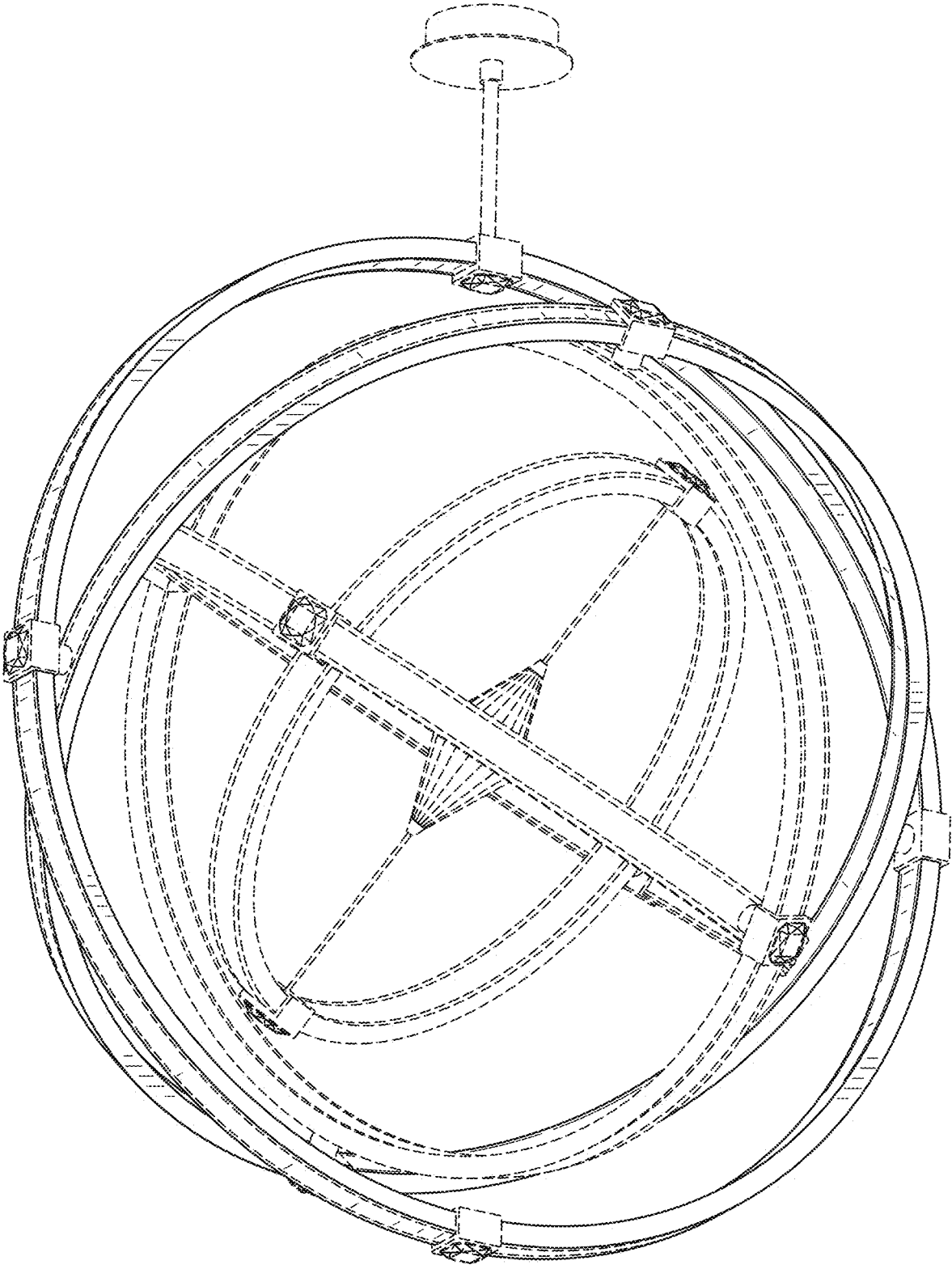


FIG. 5

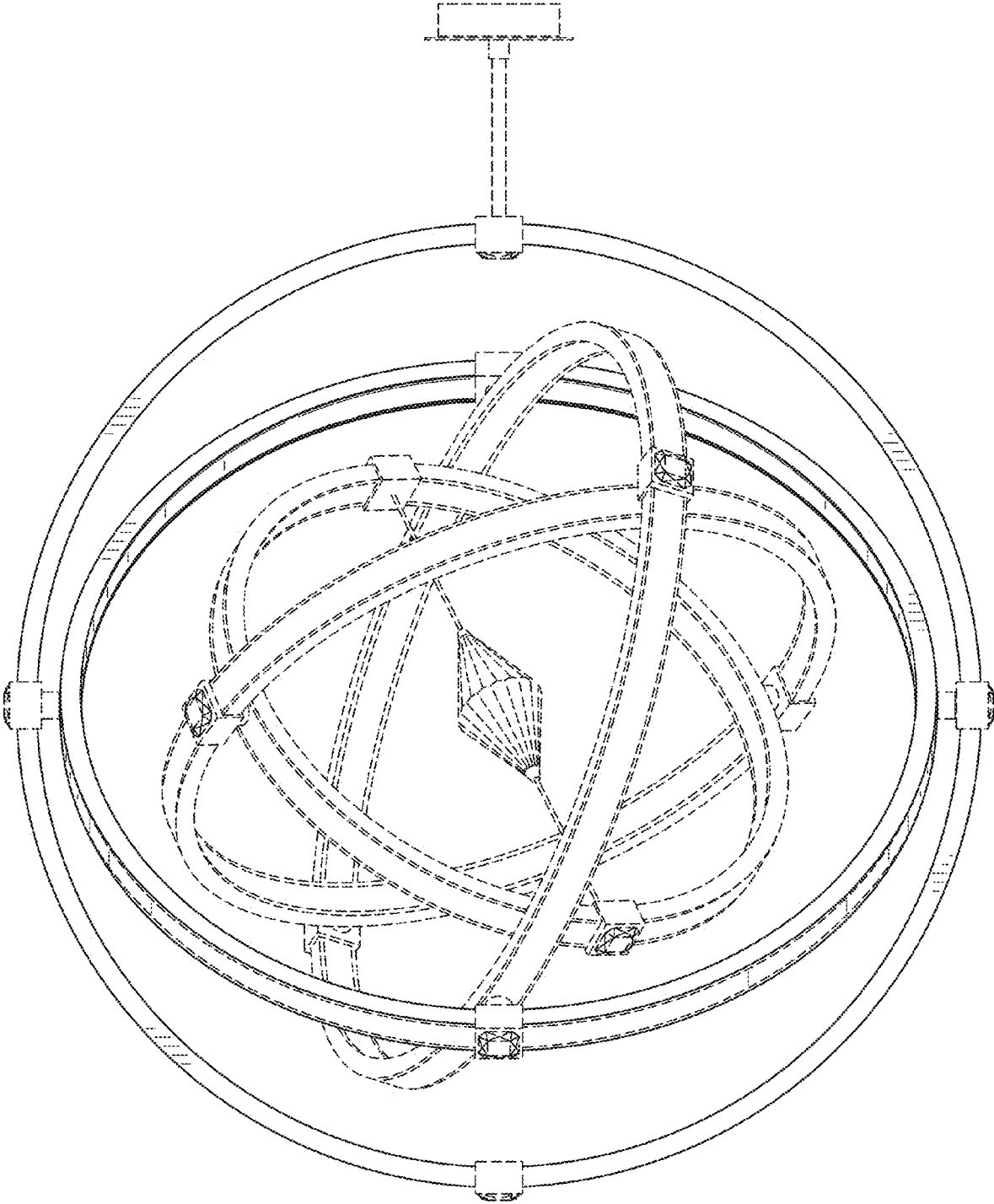


FIG. 6

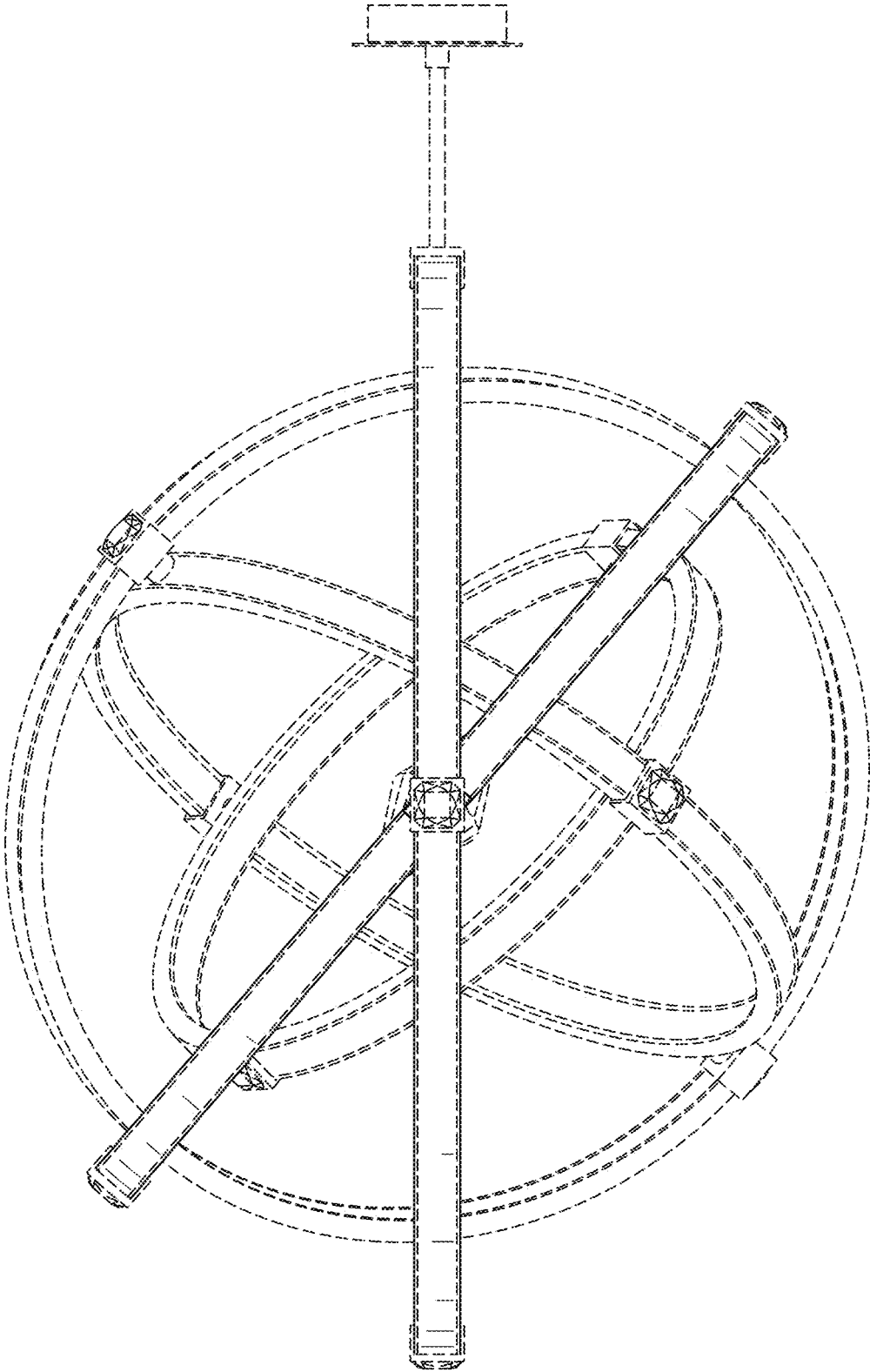


FIG. 7

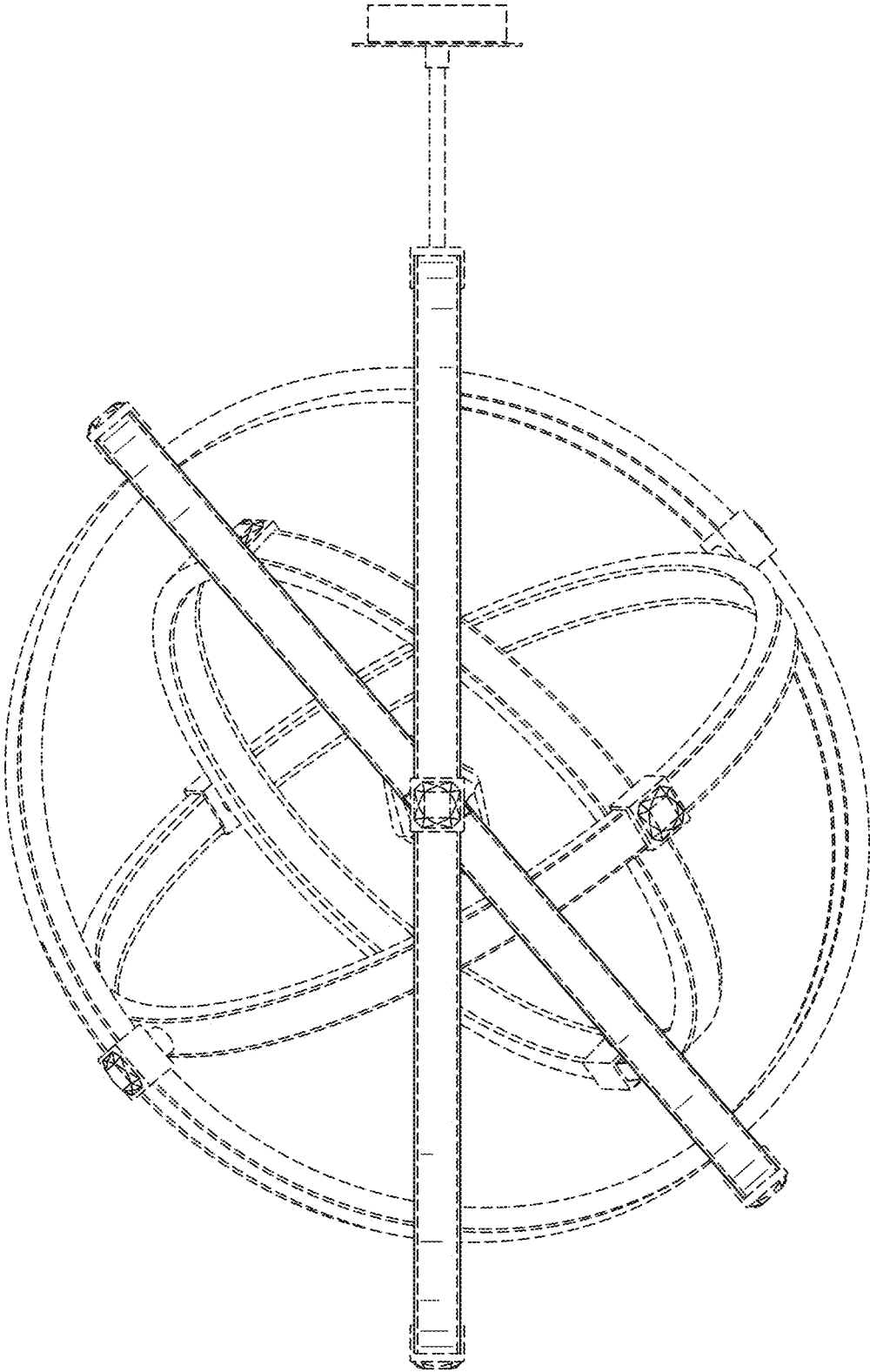


FIG. 8

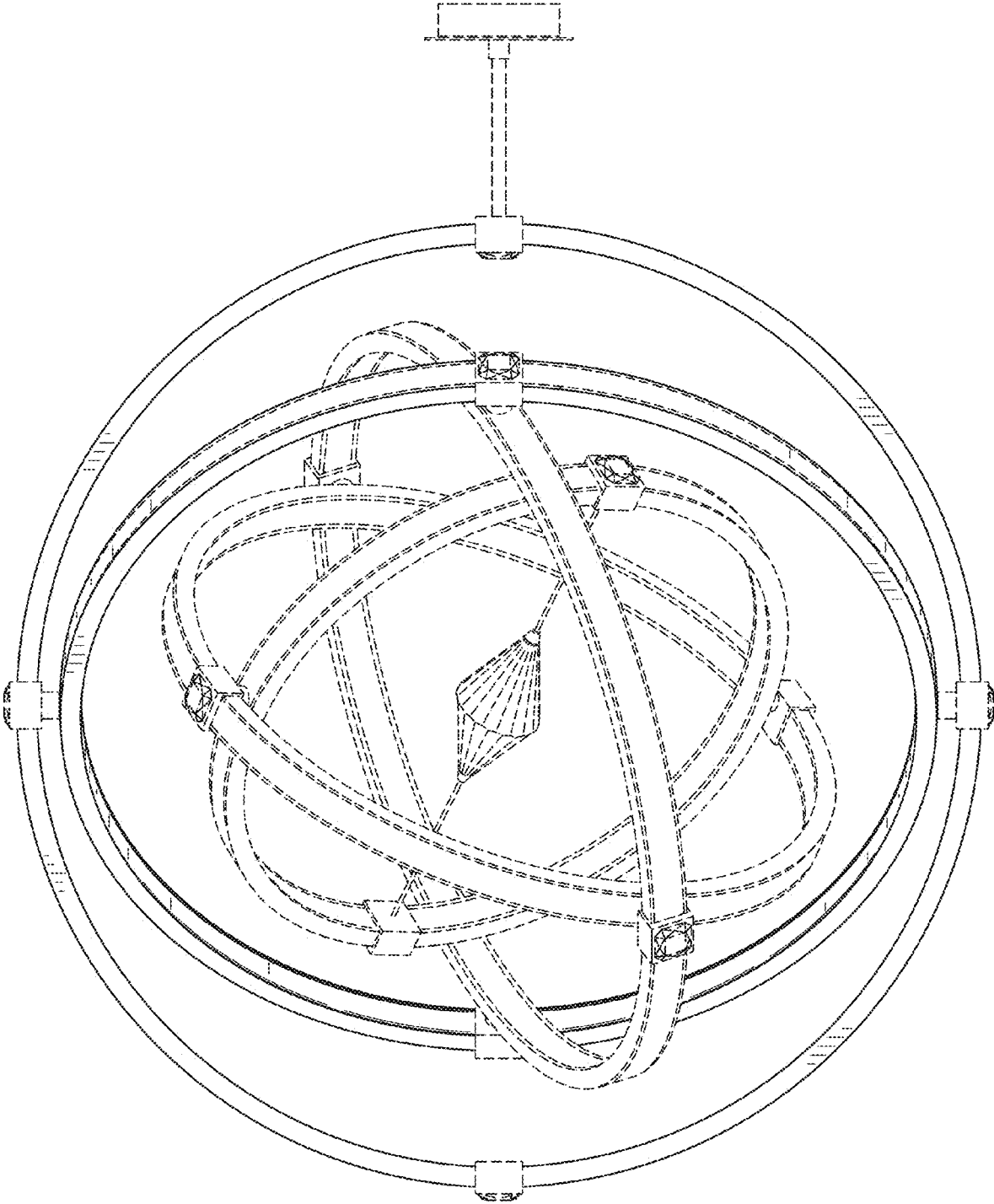


FIG. 9

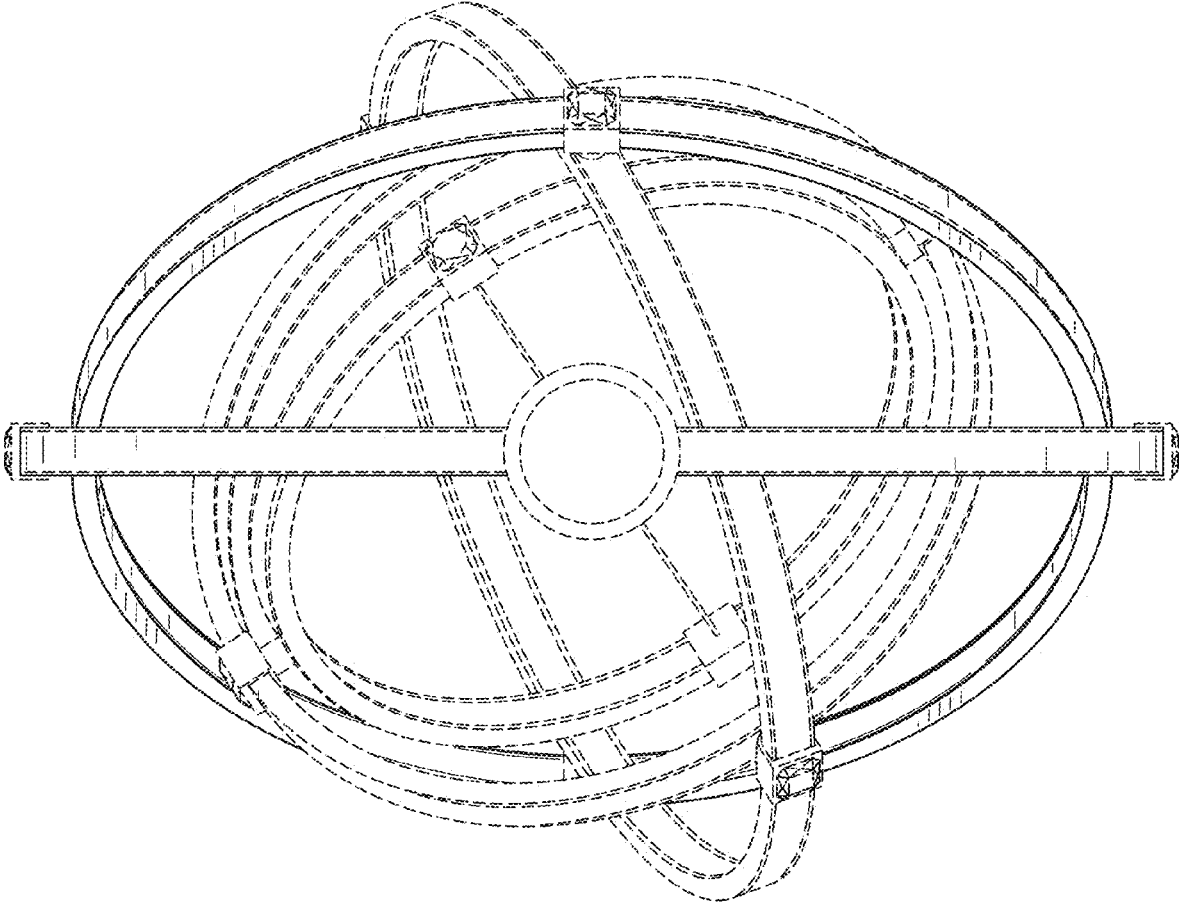


FIG. 10

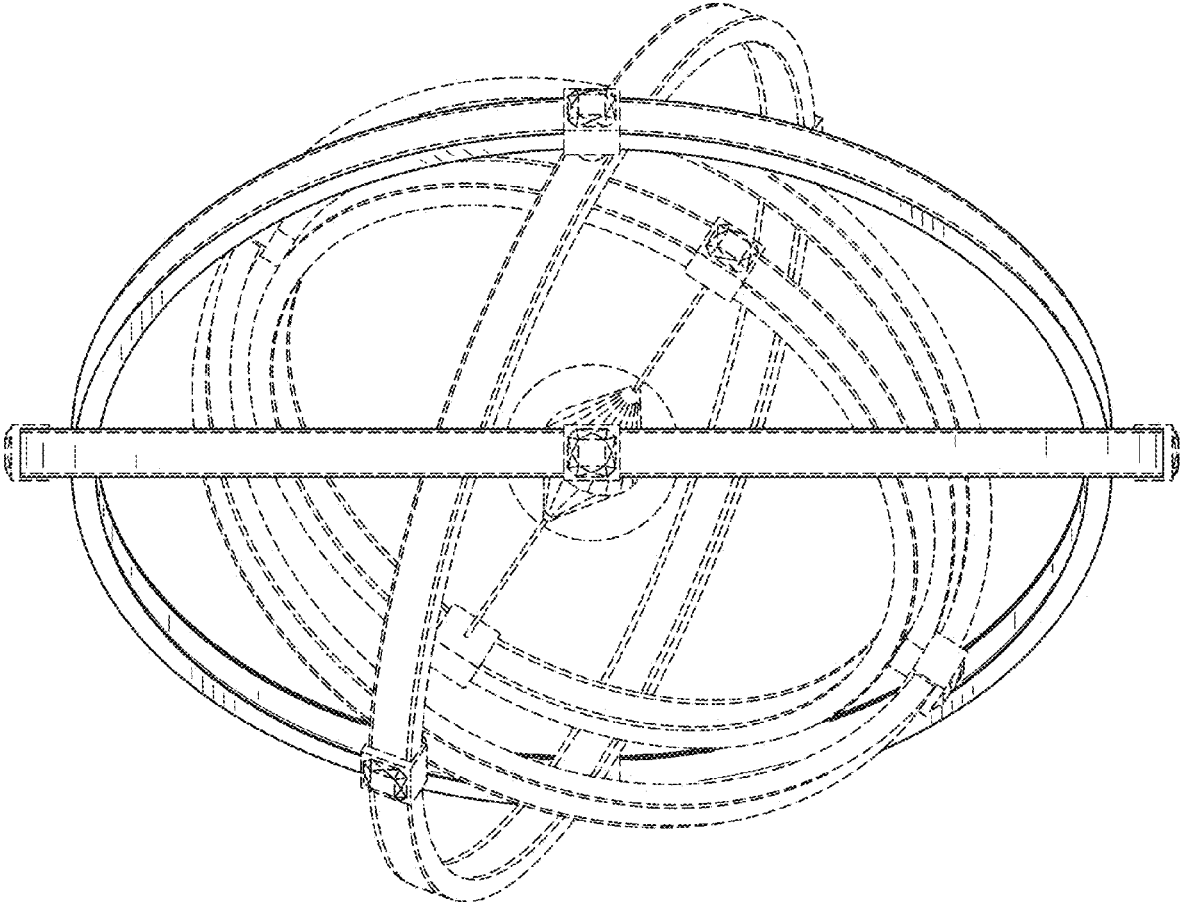


FIG. 11

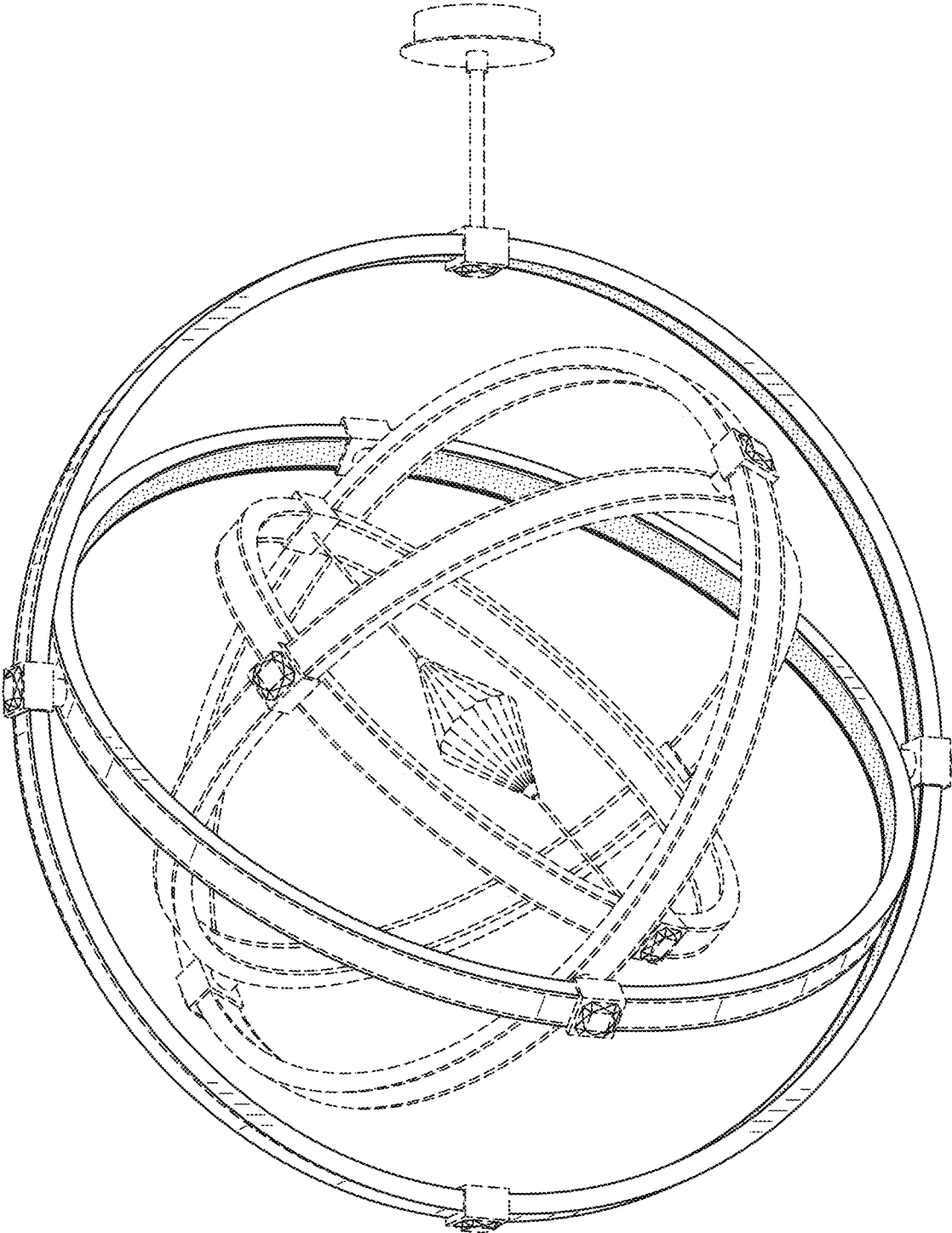


FIG. 12

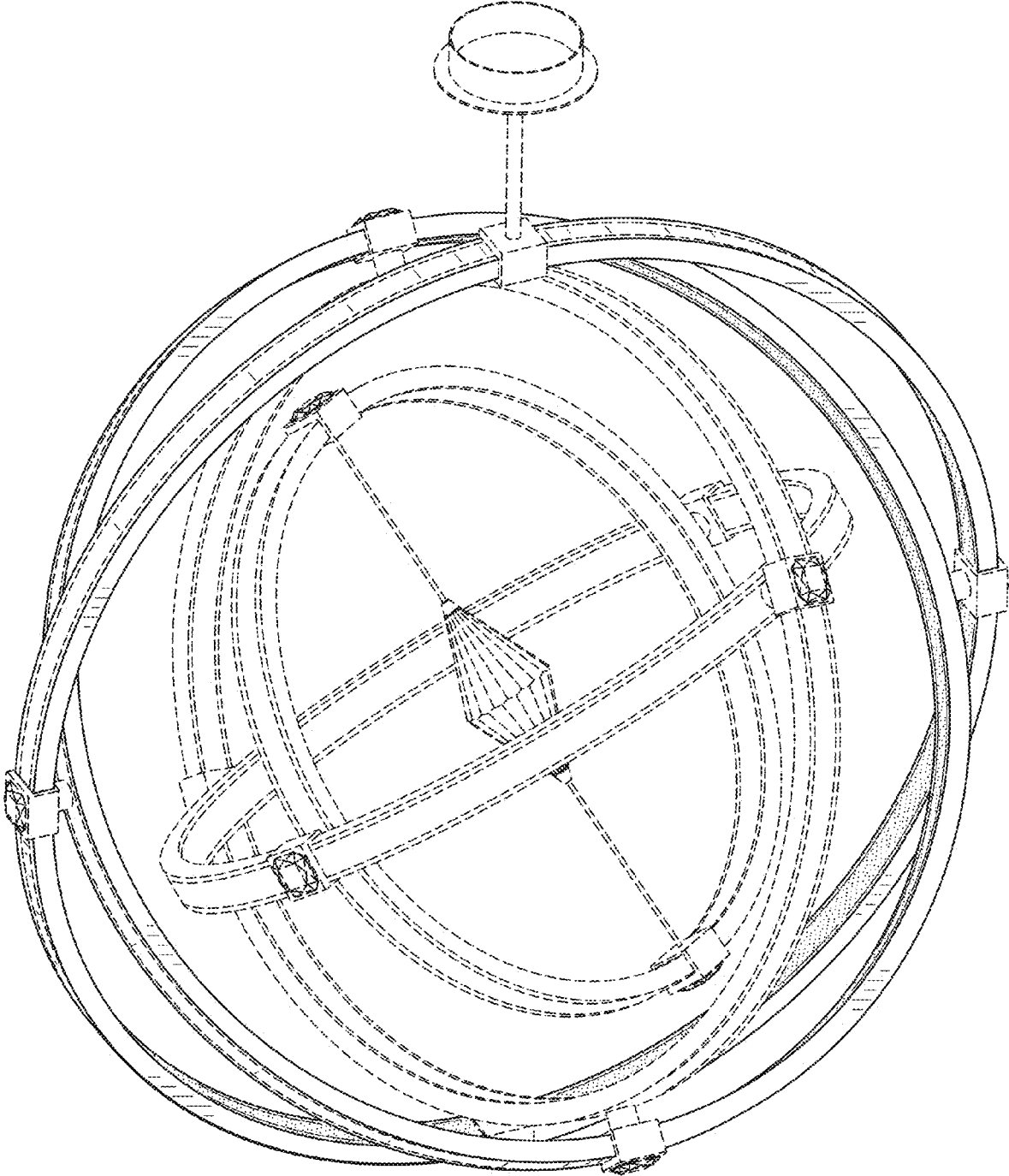


FIG. 13

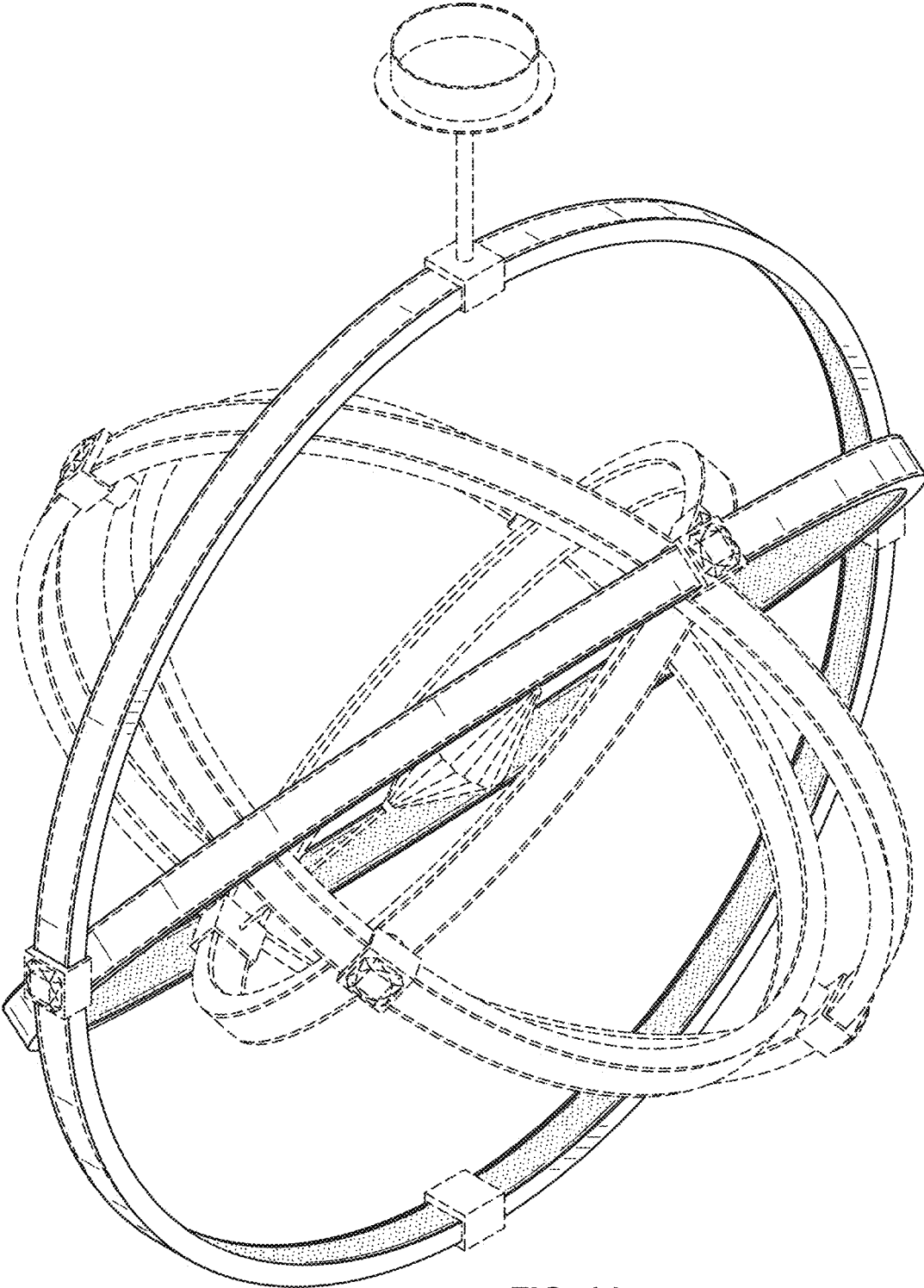


FIG. 14

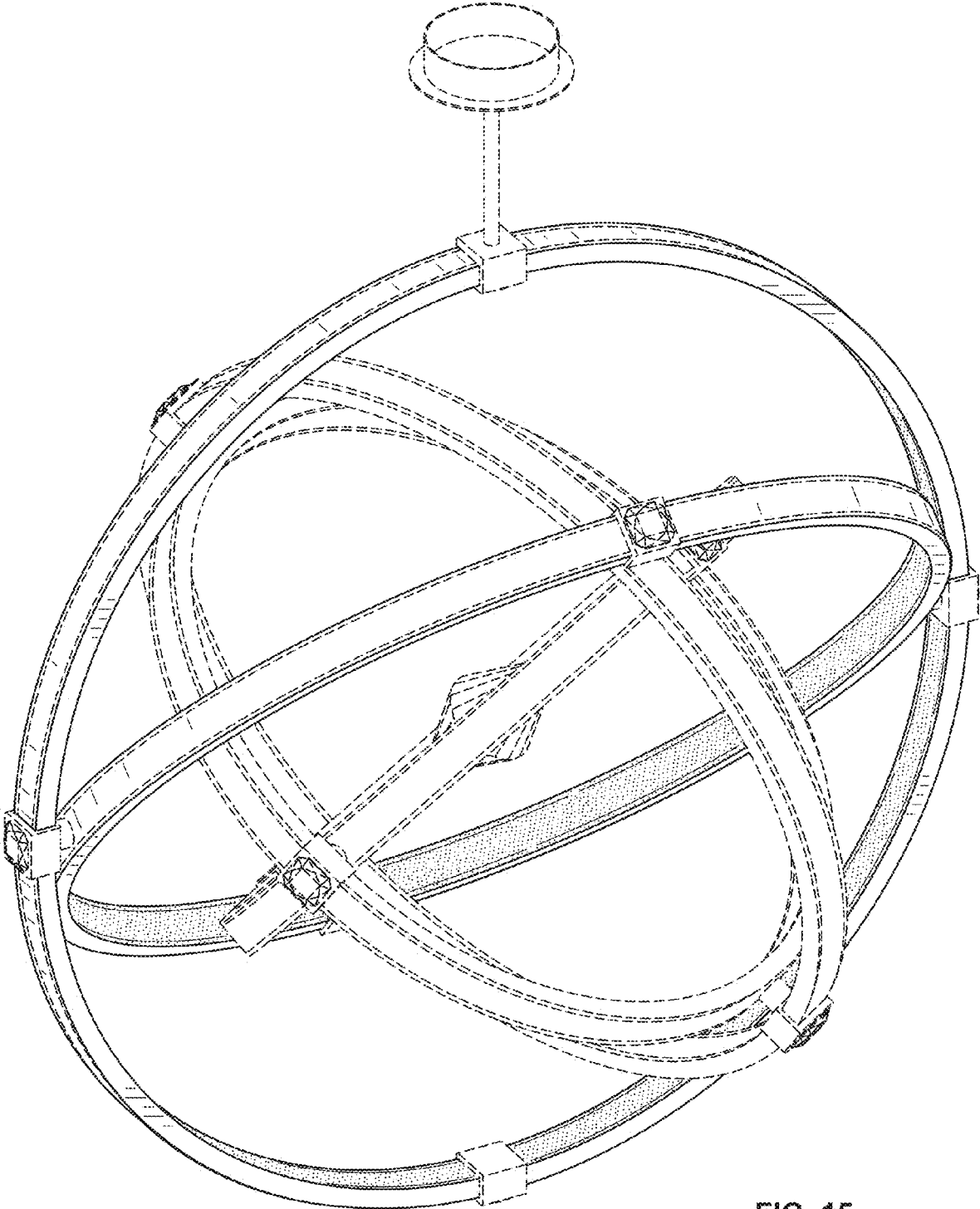


FIG. 15

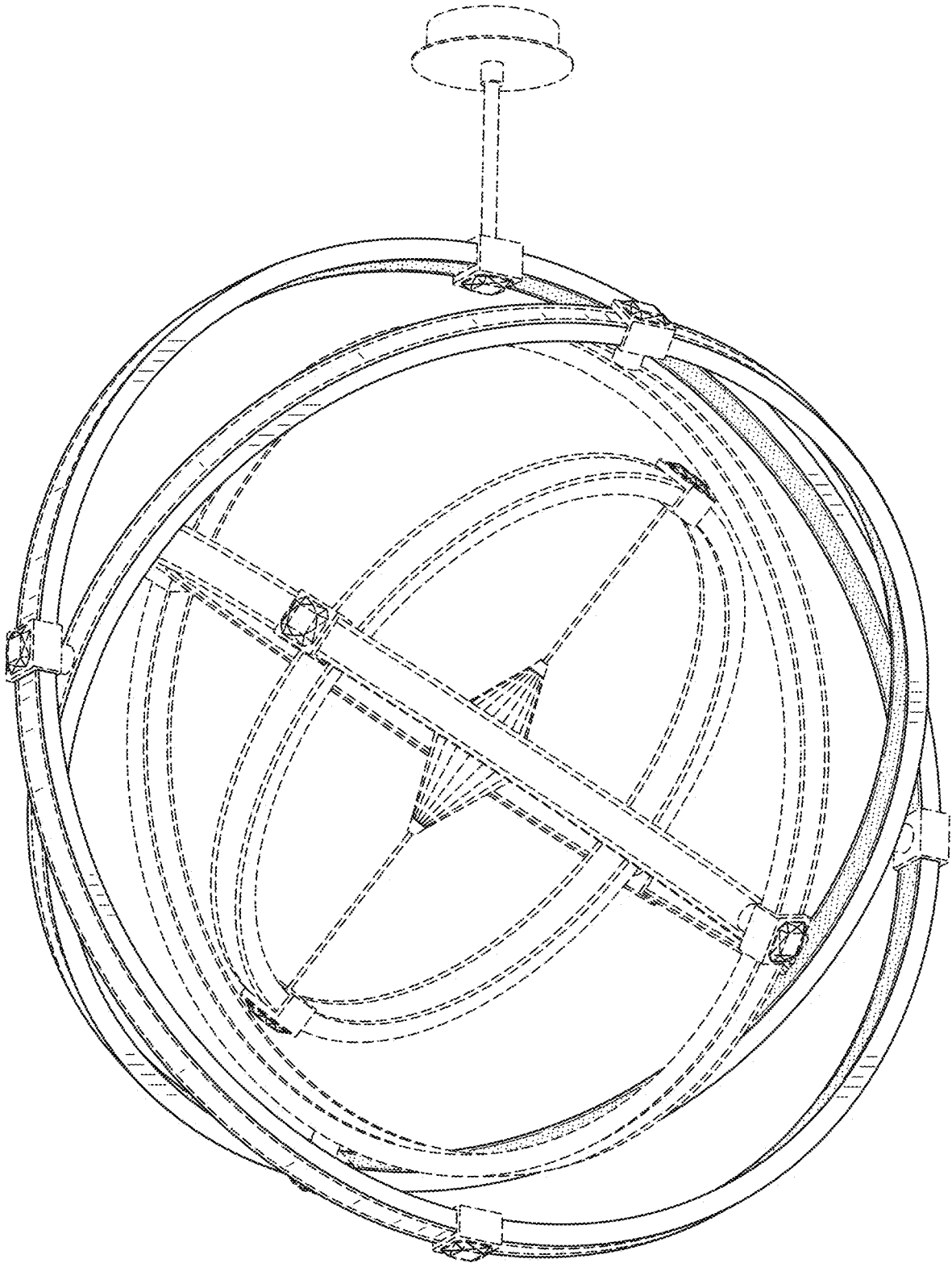


FIG. 16

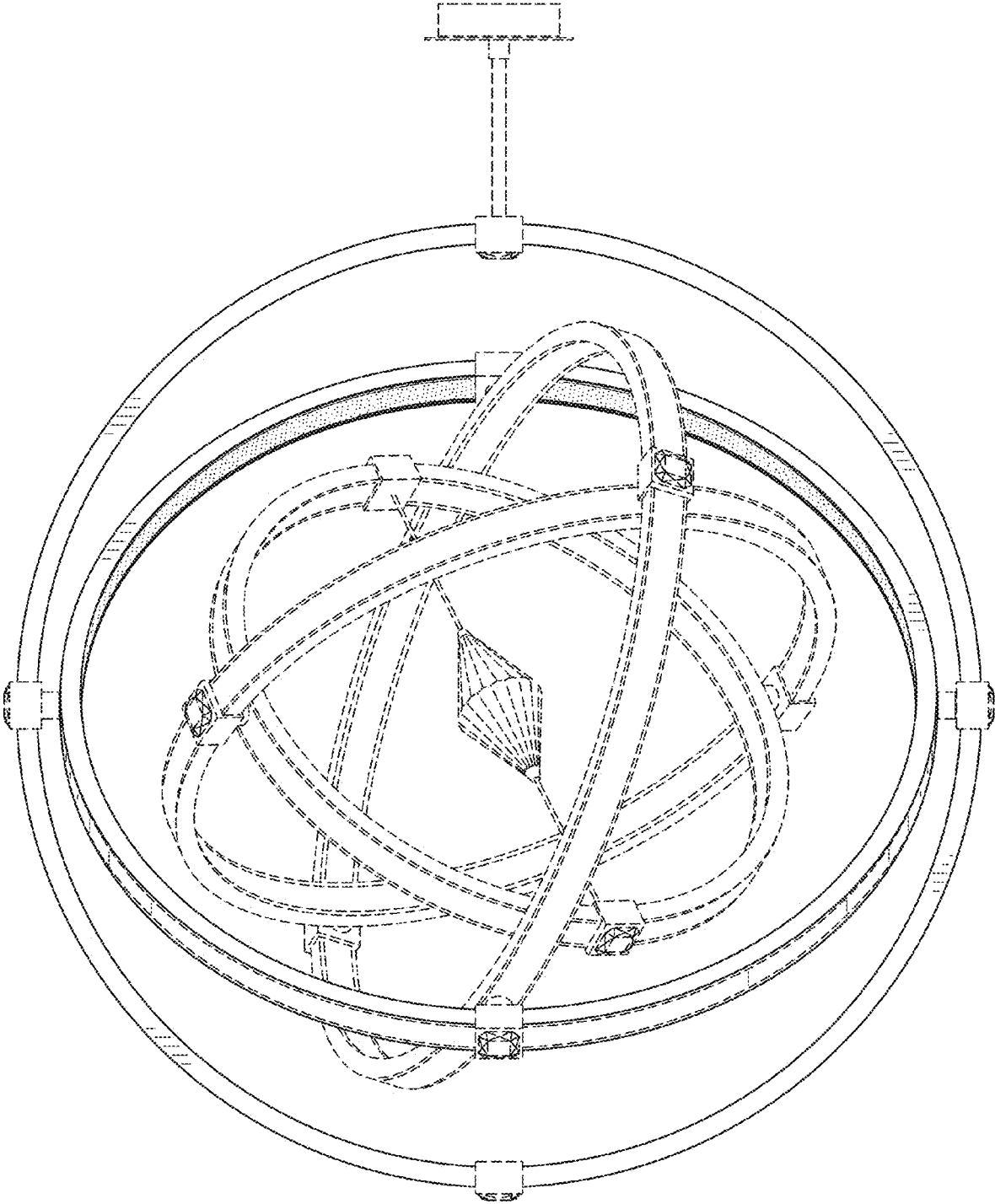


FIG. 17

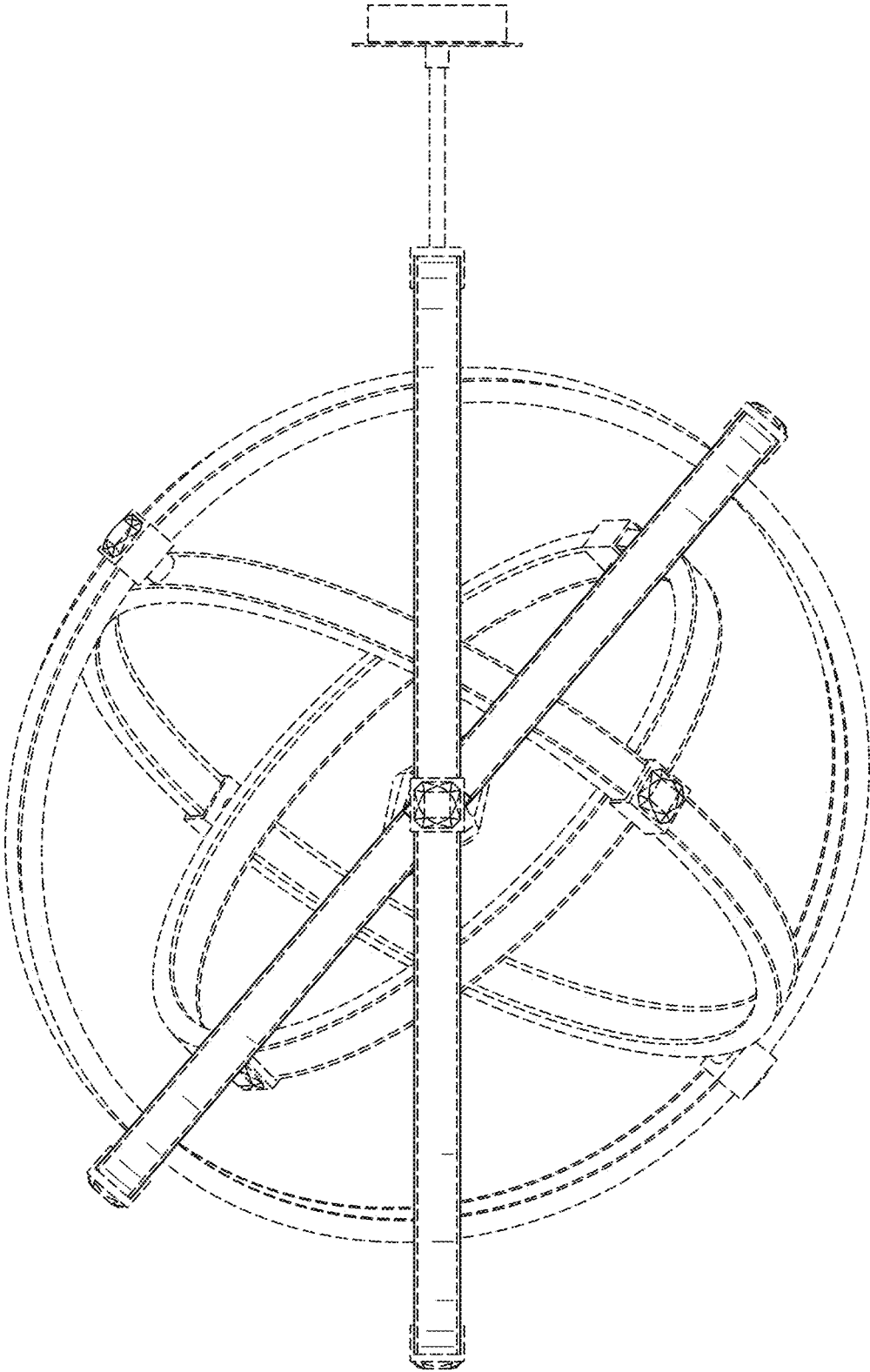


FIG. 18

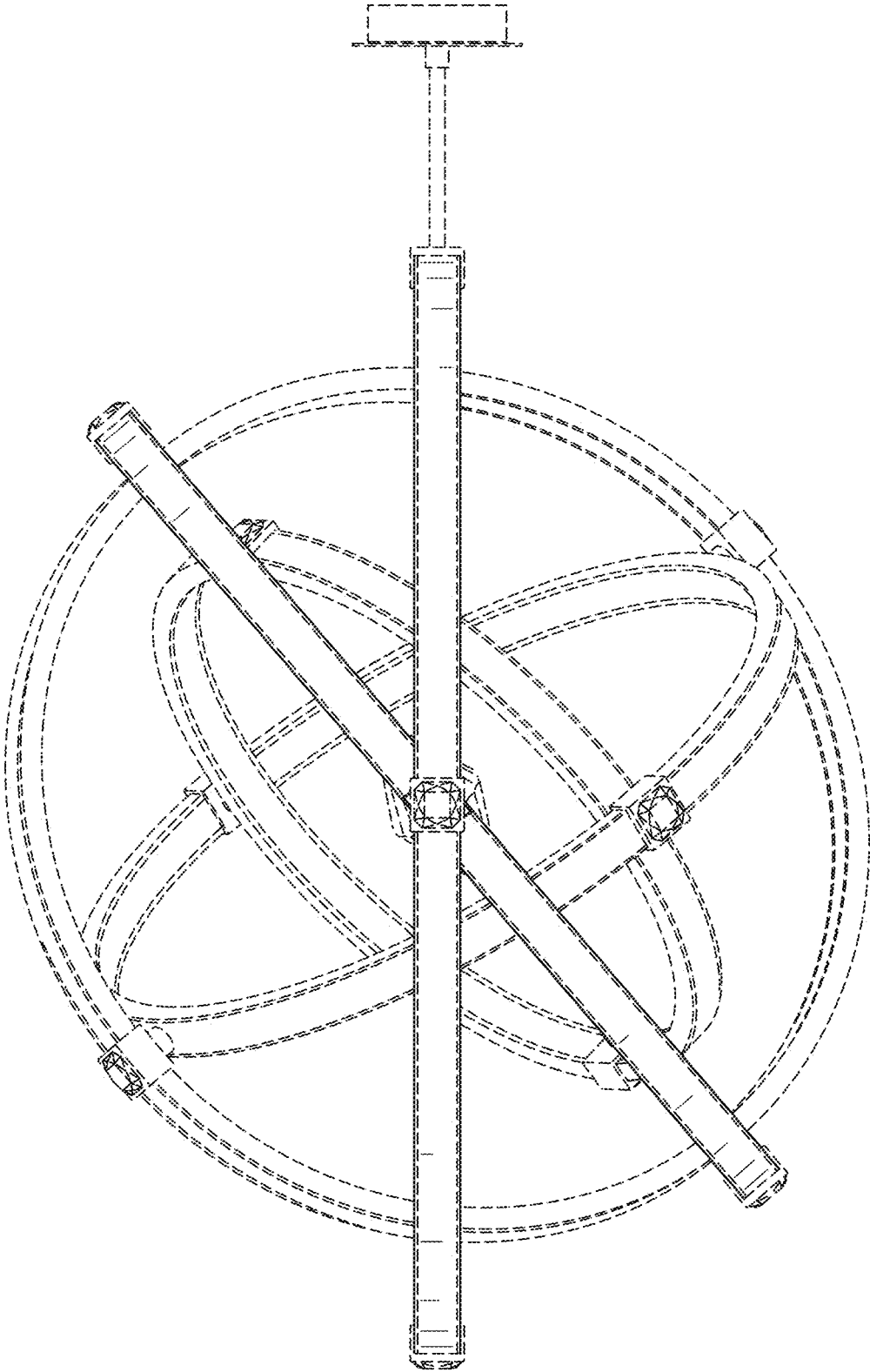


FIG. 19

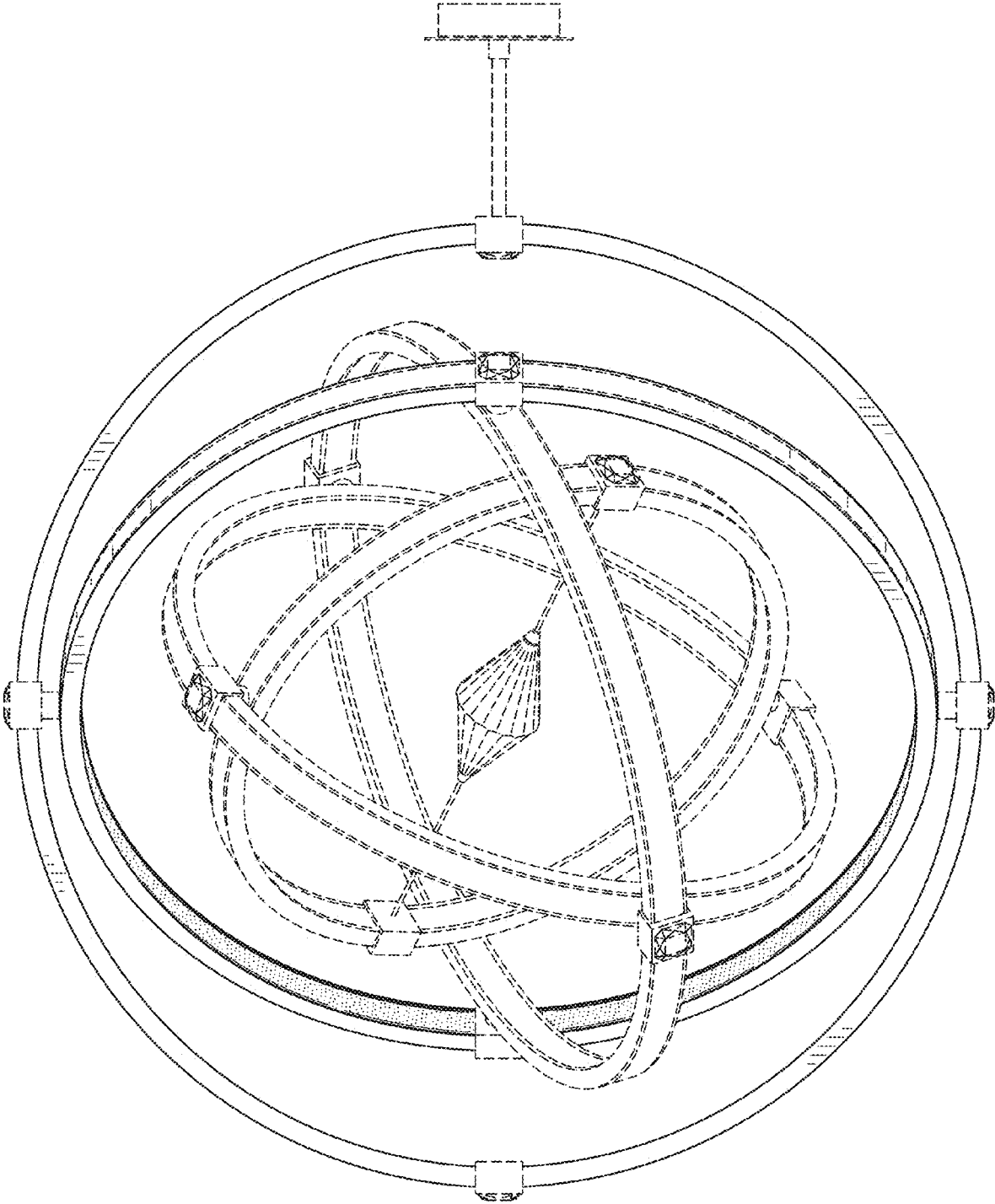


FIG. 20

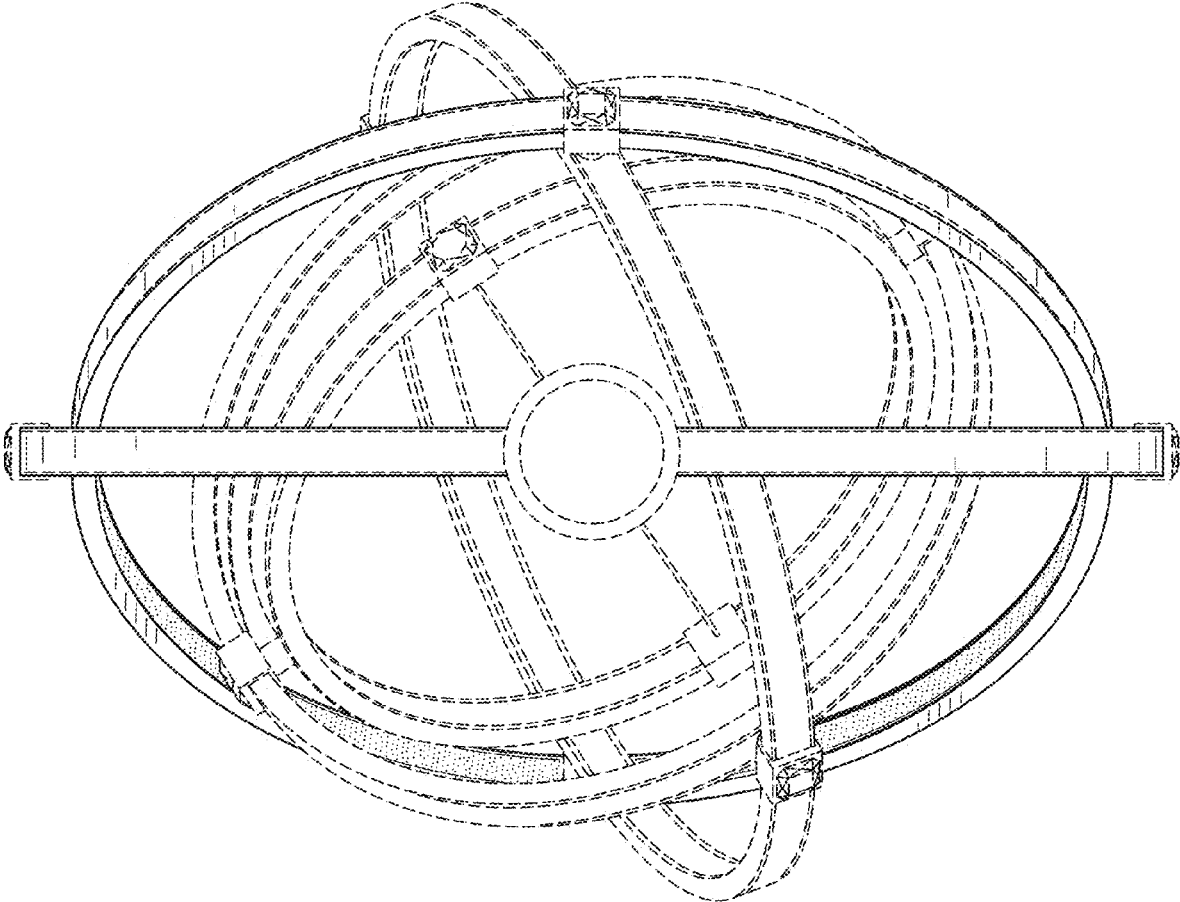


FIG. 21

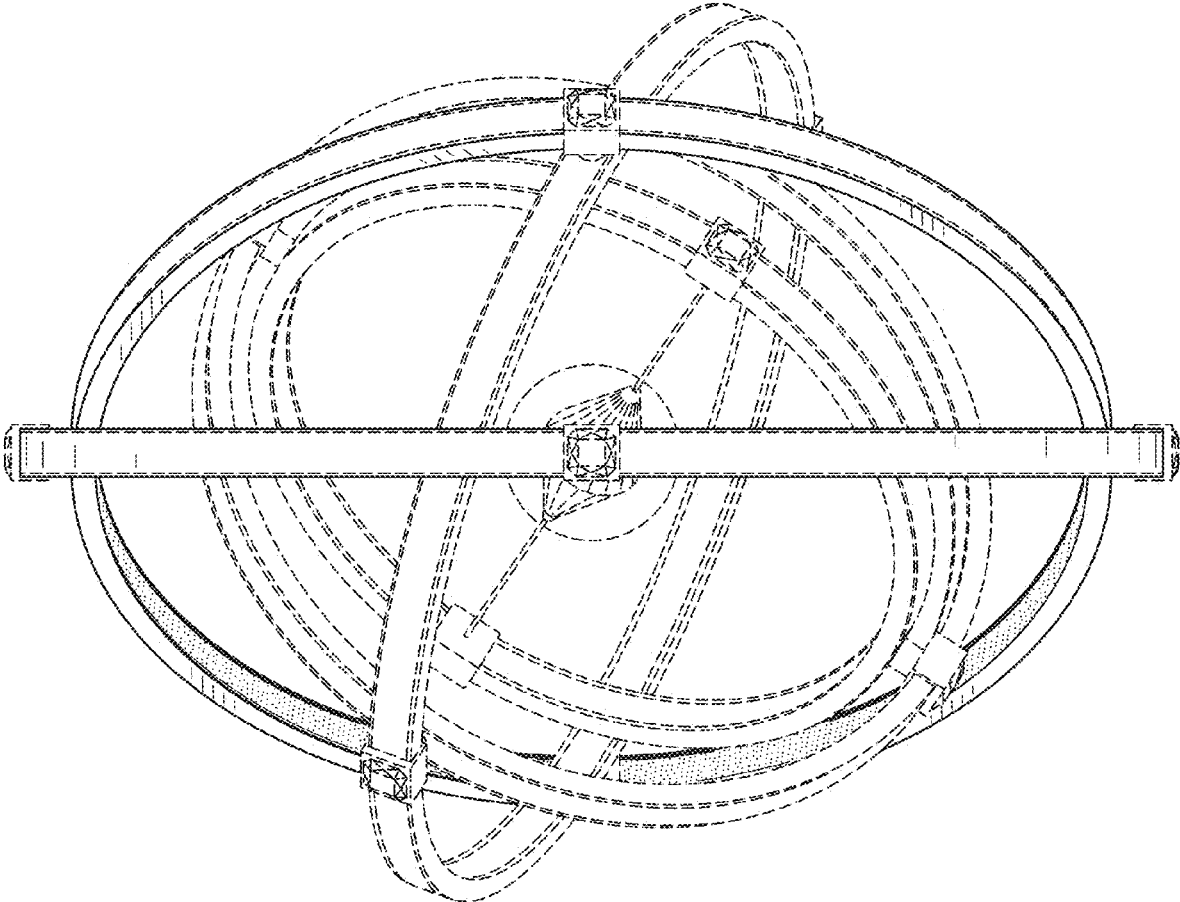


FIG. 22

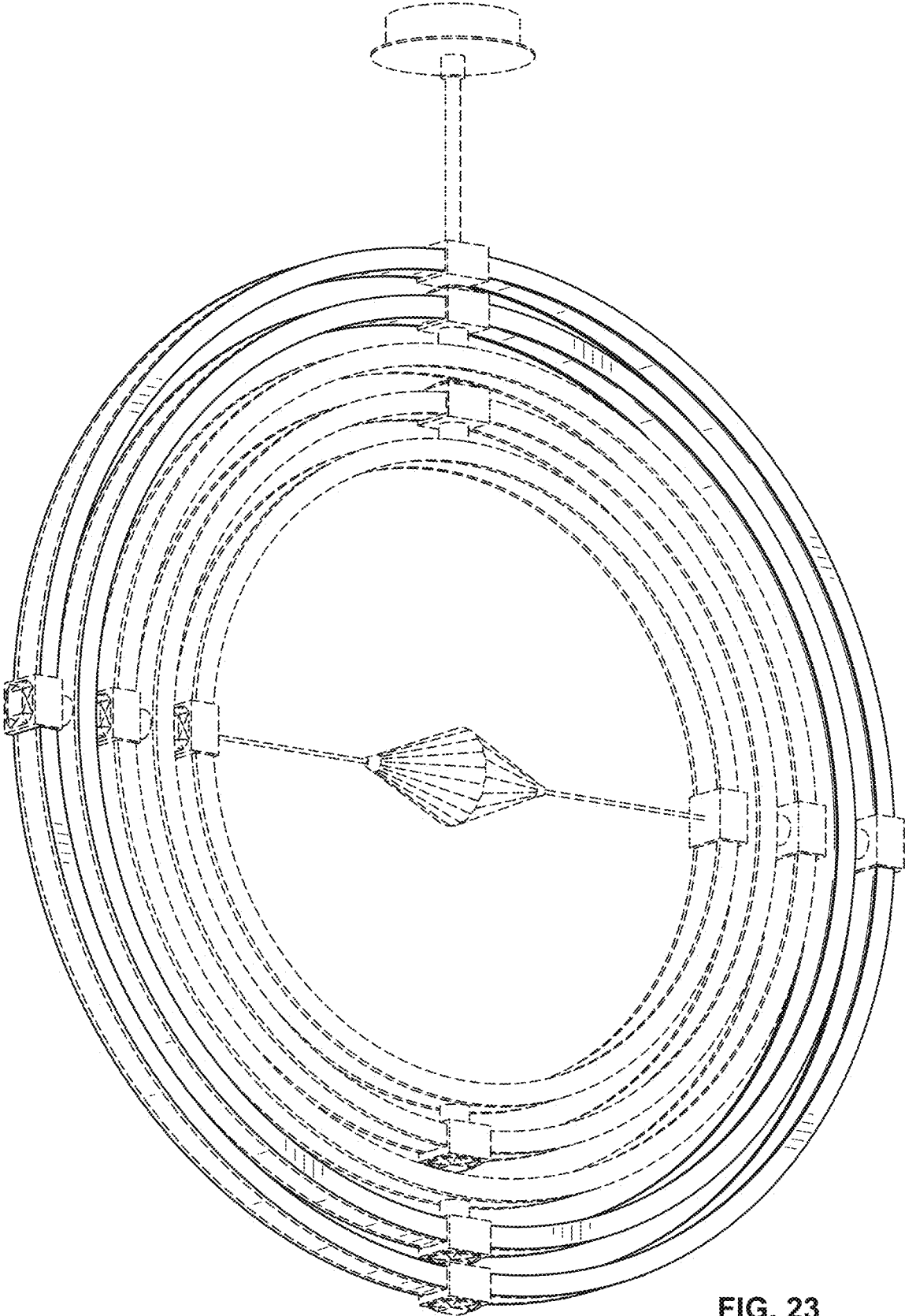


FIG. 23