



(51) International Patent Classification:

A61B 18/00 (2006.01) A61B 18/02 (2006.01)  
A61B 18/18 (2006.01) A61B 17/34 (2006.01)  
A61B 18/20 (2006.01)

(21) International Application Number:

PCT/US2012/028451

(22) International Filing Date:

9 March 2012 (09.03.2012)

(25) Filing Language:

English

(26) Publication Language:

English

(30) Priority Data:

61/450,904 9 March 2011 (09.03.2011) US

(71) Applicant (for all designated States except US): **GASTRO-SHAPE TECHNOLOGIES, INC.** [CH/CH]; c/o Swissindependent Trustees S.A., 9-11, rue du Prince, CH-1204 Geneva (CH).

(72) Inventor; and

(75) Inventor/Applicant (for US only): **LANE, Sanford** [US/US]; 15 Meadowbrook Road, Sherborn, MA 01770 (US).

(74) Agents: **CREWS, Lee et al.**; Duane Morris LLP, Suite 2400, 100 High Street, Boston, MA 02110-1724 (US).

(81) Designated States (unless otherwise indicated, for every kind of national protection available):

AE, AG, AL, AM, AO, AT, AU, AZ, BA, BB, BG, BH, BR, BW, BY, BZ, CA, CH, CL, CN, CO, CR, CU, CZ, DE, DK, DM, DO, DZ, EC, EE, EG, ES, FI, GB, GD, GE, GH, GM, GT, HN, HR, HU, ID, IL, IN, IS, JP, KE, KG, KM, KN, KP, KR, KZ, LA, LC, LK, LR, LS, LT, LU, LY, MA, MD, ME, MG, MK, MN, MW, MX, MY, MZ, NA, NG, NI, NO, NZ, OM, PE, PG, PH, PL, PT, QA, RO, RS, RU, RW, SC, SD, SE, SG, SK, SL, SM, ST, SV, SY, TH, TJ, TM, TN, TR, TT, TZ, UA, UG, US, UZ, VC, VN, ZA, ZM, ZW.

(84) Designated States (unless otherwise indicated, for every kind of regional protection available):

ARIPO (BW, GH, GM, KE, LR, LS, MW, MZ, NA, RW, SD, SL, SZ, TZ, UG, ZM, ZW), Eurasian (AM, AZ, BY, KG, KZ, MD, RU, TJ, TM), European (AL, AT, BE, BG, CH, CY, CZ, DE, DK, EE, ES, FI, FR, GB, GR, HR, HU, IE, IS, IT, LT, LU, LV, MC, MK, MT, NL, NO, PL, PT, RO, RS, SE, SI, SK, SM, TR), OAPI (BF, BJ, CF, CG, CI, CM, GA, GN, GQ, GW, ML, MR, NE, SN, TD, TG).

Published:

- with international search report (Art. 21(3))
- before the expiration of the time limit for amending the claims and to be republished in the event of receipt of amendments (Rule 48.2(h))

[Continued on next page]

(54) Title: METHOD FOR REDUCING THE ABSORPTION NUTRIENTS THROUGH THE GASTROINTESTINAL TRACT

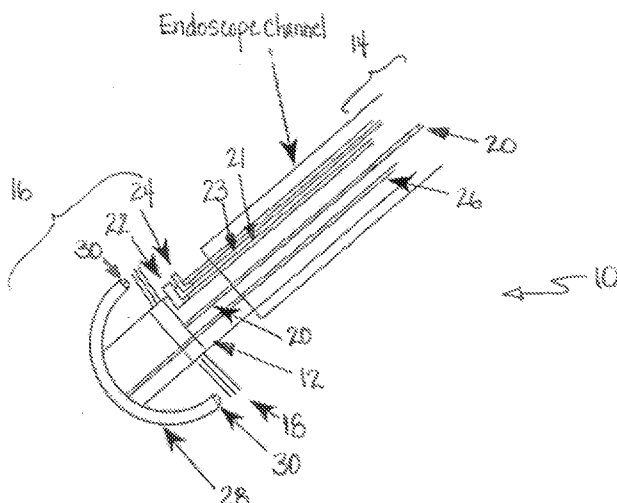


Figure 1

(57) Abstract: The present invention features methods for applying a force, such as laser or radiofrequency (RF) energy to the wall of the small intestine, which targets and eliminates a portion of the capillary and vascular network responsible for the transportation of nutrients to the patient. This causes the patient to absorb a reduced percentage of nutrients, which results in a reduced caloric intake. Various types and shapes of applicators are used to deliver the treatment energy, and these applicator devices are within the scope of the present invention. The applicator can be deployed through either a body cavity (e.g., the oral cavity), an open surgical procedure, or a minimally invasive incision or incisions.



**(88) Date of publication of the international search report:**  
8 November 2012

**A. CLASSIFICATION OF SUBJECT MATTER***A61B 18/00(2006.01)i, A61B 18/18(2006.01)i, A61B 18/20(2006.01)i, A61B 18/02(2006.01)i, A61B 17/34(2006.01)i*

According to International Patent Classification (IPC) or to both national classification and IPC

**B. FIELDS SEARCHED**

Minimum documentation searched (classification system followed by classification symbols)

A61B 18/00; A61M 29/00; A61M 25/04; A61F 7/12; A61N 1/00; A61B 18/18

Documentation searched other than minimum documentation to the extent that such documents are included in the fields searched

Korean utility models and applications for utility models

Japanese utility models and applications for utility models

Electronic data base consulted during the international search (name of data base and, where practicable, search terms used)

eKOMPASS(KIPO internal) &amp; Keywords: gastrointestinal tract, ablation, obesity, expander.

**C. DOCUMENTS CONSIDERED TO BE RELEVANT**

Category*	Citation of document, with indication, where appropriate, of the relevant passages	Relevant to claim No.
X	US 2007-0250132 A1 (DANIEL R. BURNETT) 25 October 2007 See abstract; fig. 3A; paragraphs 15, 59, 70, 77, 78, 80, 88, 101, 104, 128, 132, 135; claims 1, 7, 11, 15, 17.	1-15
X	US 2008-0275445 A1 (DOUGLAS KELLY et al.) 06 November 2008 See abstract; fig. 9; paragraphs 146, 147, 151, 152, 154, 156; claims 1, 48, 49.	1-7,9-15
A		8
A	US 2009-0012469 A1 (HENRY NITA) 08 January 2009 See abstract; fig. 7; paragraph 39; claim 1.	1-15
A	US 2010-0256713 A1 (STUART D. EDWARDS et al.) 07 October 2010 See abstract; figs. 2A, 2C; paragraph 60; claim 1.	1-15
A	US 2007-0027466 A1 (MARK S. ORTIZ et al.) 01 February 2007 See abstract; figs. 1B, 1C; paragraph 28; claim 1.	1-15

 Further documents are listed in the continuation of Box C. See patent family annex.

\* Special categories of cited documents:

"A" document defining the general state of the art which is not considered to be of particular relevance

"E" earlier application or patent but published on or after the international filing date

"L" document which may throw doubts on priority claim(s) or which is cited to establish the publication date of citation or other special reason (as specified)

"O" document referring to an oral disclosure, use, exhibition or other means

"P" document published prior to the international filing date but later than the priority date claimed

"T" later document published after the international filing date or priority date and not in conflict with the application but cited to understand the principle or theory underlying the invention

"X" document of particular relevance; the claimed invention cannot be considered novel or cannot be considered to involve an inventive step when the document is taken alone

"Y" document of particular relevance; the claimed invention cannot be considered to involve an inventive step when the document is combined with one or more other such documents, such combination being obvious to a person skilled in the art

"&amp;" document member of the same patent family

Date of the actual completion of the international search

30 AUGUST 2012 (30.08.2012)

Date of mailing of the international search report

**31 AUGUST 2012 (31.08.2012)**

Name and mailing address of the ISA/KR

Korean Intellectual Property Office  
189 Cheongsu-ro, Seo-gu, Daejeon Metropolitan  
City, 302-701, Republic of Korea

Facsimile No. 82-42-472-7140

Authorized officer

YOO Min Jeong

Telephone No. 82-42-481-3463



**Box No. II Observations where certain claims were found unsearchable (Continuation of item 2 of first sheet)**

This international search report has not been established in respect of certain claims under Article 17(2)(a) for the following reasons:

1.  Claims Nos.: 16-37  
because they relate to subject matter not required to be searched by this Authority, namely:  
Claims 16-37 pertain to methods for treatment of the human body by surgery or therapy (PCT Article 17(2)(a)(i) and Rule 39.1(iv)).
2.  Claims Nos.:  
because they relate to parts of the international application that do not comply with the prescribed requirements to such an extent that no meaningful international search can be carried out, specifically:
3.  Claims Nos.:  
because they are dependent claims and are not drafted in accordance with the second and third sentences of Rule 6.4(a).

**Box No. III Observations where unity of invention is lacking (Continuation of item 3 of first sheet)**

This International Searching Authority found multiple inventions in this international application, as follows:

1.  As all required additional search fees were timely paid by the applicant, this international search report covers all searchable claims.
2.  As all searchable claims could be searched without effort justifying an additional fee, this Authority did not invite payment of any additional fee.
3.  As only some of the required additional search fees were timely paid by the applicant, this international search report covers only those claims for which fees were paid, specifically claims Nos.:
4.  No required additional search fees were timely paid by the applicant. Consequently, this international search report is restricted to the invention first mentioned in the claims; it is covered by claims Nos.:

**Remark on Protest**

- The additional search fees were accompanied by the applicant's protest and, where applicable, the payment of a protest fee.
- The additional search fees were accompanied by the applicant's protest but the applicable protest fee was not paid within the time limit specified in the invitation.
- No protest accompanied the payment of additional search fees.

**INTERNATIONAL SEARCH REPORT**

Information on patent family members

International application No.

**PCT/US2012/028451**

Patent document cited in search report	Publication date	Patent family member(s)	Publication date
US 2007-0250132 A1	25.10.2007	AU 2004-258968 A1	03.02.2005
		AU 2004-258968 B2	27.10.2011
		AU 2005-274132 A1	23.02.2006
		AU 2005-274132 B2	15.12.2011
		AU 2006-284801 A1	08.03.2007
		AU 2006-284801 B2	04.08.2011
		CA 2534118 A1	03.02.2005
		CA 2534118 C	13.09.2011
		CA 2576476 A1	23.02.2006
		CA 2620859 A1	08.03.2007
		CA 2620859 C	07.06.2011
		CA 2744973 A1	03.02.2005
		EP 1659983 A2	31.05.2006
		EP 1781183 A2	09.05.2007
		EP 1919370 A2	14.05.2008
		JP 04-741490 B2	13.05.2011
		JP 2007-500538 A	18.01.2007
		JP 2008-515464 A	15.05.2008
		JP 2009-508544 A	05.03.2009
		US 2005-0033331 A1	10.02.2005
		US 2005-0033332 A1	10.02.2005
		US 2005-0055039 A1	10.03.2005
		US 2006-0020278 A1	26.01.2006
		US 2007-0135831 A1	14.06.2007
		US 2007-0178160 A1	02.08.2007
		US 2009-0118757 A1	07.05.2009
		US 2009-0118758 A1	07.05.2009
		US 2009-0187200 A1	23.07.2009
		US 2009-0187201 A1	23.07.2009
		US 2009-0216262 A1	27.08.2009
US 2009-0259236 A2	15.10.2009		
US 6994095 B2	07.02.2006		
US 8048169 B2	01.11.2011		
WO 2005-009288 A2	03.02.2005		
WO 2006-020370 A2	23.02.2006		
WO 2007-027812 A2	08.03.2007		
US 2008-0275445 A1	06.11.2008	WO 2008-137757 A1	13.11.2008
US 2009-0012469 A1	08.01.2009	None	
US 2010-0256713 A1	07.10.2010	US 2009-0254142 A1	08.10.2009
		WO 2009-132137 A1	29.10.2009
		WO 2010-008807 A1	21.01.2010
US 2007-0027466 A1	01.02.2007	AT 426362 T	15.04.2009
		AU 2006-203204 A1	15.02.2007
		BR P10603014 A	13.03.2007
		CA 2554275 A1	28.01.2007

**INTERNATIONAL SEARCH REPORT**

Information on patent family members

International application No.

**PCT/US2012/028451**

Patent document cited in search report	Publication date	Patent family member(s)	Publication date
		CN 1903134 A	31.01.2007
		CN 1903134 B	13.10.2010
		DE 602006005869 D1	07.05.2009
		EP 1752104 A1	14.02.2007
		EP 1752104 B1	25.03.2009
		JP 2007-029742 A	08.02.2007
		MX PA06008651A	29.01.2007