



(12) **United States Design Patent**
Otsuka et al.

(10) **Patent No.:** **US D1,065,313 S**
(45) **Date of Patent:** **** Mar. 4, 2025**

(54) **WIRELESS COMMUNICATION DEVICE**

OTHER PUBLICATIONS

- (71) Applicant: **Roland Corporation**, Shizuoka (JP)
- (72) Inventors: **Koji Otsuka**, Shizuoka (JP); **Norihiko Wada**, Shizuoka (JP); **Naoshi Miyoshi**, Shizuoka (JP)
- (73) Assignee: **Roland Corporation**, Shizuoka (JP)
- (**) Term: **15 Years**
- (21) Appl. No.: **29/808,613**
- (22) Filed: **Sep. 21, 2021**
- (30) **Foreign Application Priority Data**

Amazon. <https://www.amazon.com/CME-MIDI-Thru5-WC-5-out/dp/B0B9ZJG69B>. “CME MIDI Thru5 WC—Premium 1-to-5 MIDI Thru—High-precision . . . ” Date Unknown: Viewed Dec. 2024 (Year: 2024).*

B&H Photo Video Audio. https://www.bhphotovideo.com/c/product/1056441-REG/ik_multimedia_ip_irig_midi2_in_irig_midi_2_core.html?ap=y&smp=Y. “iK Multimedia iRig MIDI 2 Portable MIDI Interface for iOS, Mac, and PC”. Date Unknown: Viewed Dec. 2024 (Year: 2024).*

Yamaha. <https://shop.usa.yamaha.com/en/p/instruments/keyboards-synthesizers/keyboard-synthesizer-accessories/keyboard-connectivity-and-expansion/ud-bt01-bluetooth-wireless-midi-adapter>. “UD-BT01 Bluetooth Wireless MIDI Adapter.” Date Unknown: Viewed Dec. 2024 (Year: 2024).*

Amazon. <https://www.amazon.com/BOSS-Bluetooth-BT-DUAL-Capabilities-Compatible/dp/B097TMYSH?th=1>. “Boss BT-Dual Bluetooth Audio MIDI Dual Adapter.” Date Unknown: Viewed Dec. 2024 (Year: 2024).*

Apr. 9, 2021 (JP) 2021-007520 D

- (51) **LOC (15) CL.** **17-99**
- (52) **U.S. CL.**
- USPC **D17/99**
- (58) **Field of Classification Search**
- USPC D17/1, 2, 7, 99; D21/405, 409; D6/700, D6/701; D3/204
- CPC ... G10C 1/00; G10C 3/12; G10C 5/00; G10C 5/10; G10H 1/0066; G10H 2230/065; G10H 2240/281; G10H 2240/311; G10H 2240/321; G10D 99/00; A47B 23/004; A47B 21/045; B62B 2202/34
- See application file for complete search history.

* cited by examiner

Primary Examiner — R. Johnson
(74) *Attorney, Agent, or Firm* — JCIPRNET

(56) **References Cited**

U.S. PATENT DOCUMENTS

D235,779 S *	7/1975	Barr	D10/75
D236,212 S *	8/1975	Beigel et al.	D14/188
D489,726 S *	5/2004	Takita	D14/433
D518,086 S *	3/2006	Ito	D17/99
D752,130 S *	3/2016	Alstad	D17/20
D846,527 S *	4/2019	Lamb	D13/164
D853,470 S *	7/2019	Ridinger	D17/99
D870,804 S *	12/2019	Graham	D17/99
D1,023,130 S *	4/2024	Joos	D17/20
D1,029,116 S *	5/2024	Yu	D21/409

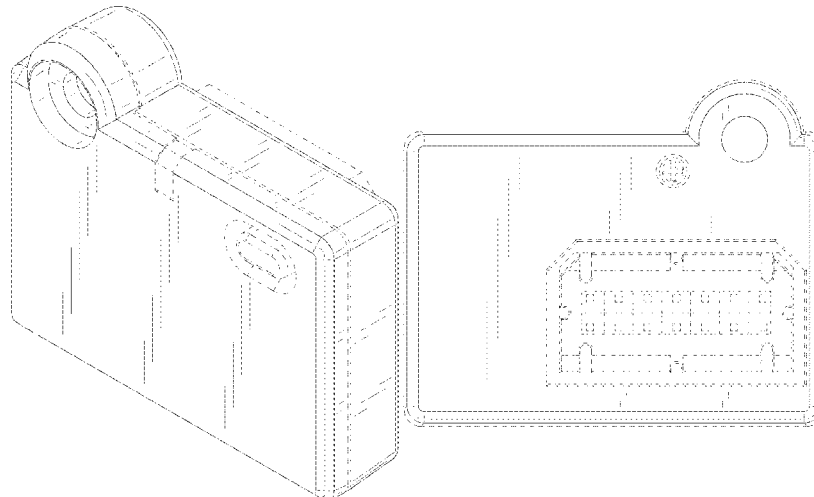
(57) **CLAIM**

The ornamental design for a wireless communication device as shown and described.

DESCRIPTION

FIG. 1 is a perspective view of a wireless communication device showing our new design;
 FIG. 2 is a front view thereof;
 FIG. 3 is a rear view thereof;
 FIG. 4 is a left side view thereof;
 FIG. 5 is a right side view thereof;
 FIG. 6 is a top view thereof; and,
 FIG. 7 is a bottom view.
 The broken lines illustrate portions of the article that form no part of the claimed design.

1 Claim, 7 Drawing Sheets



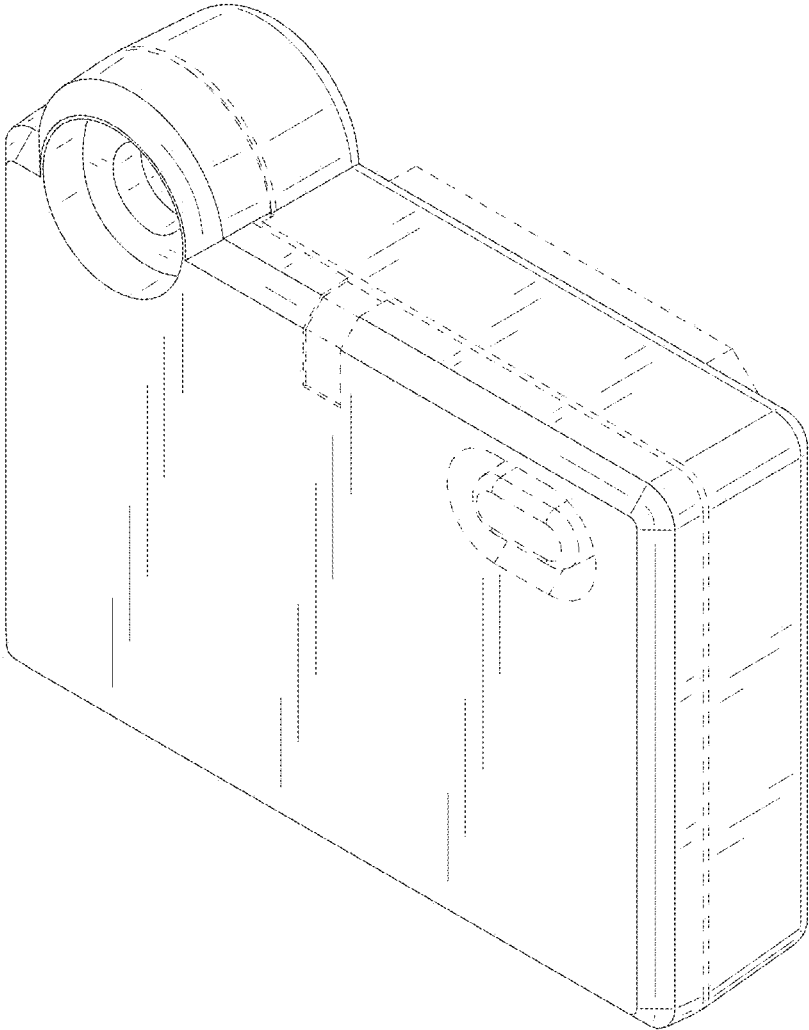


FIG. 1

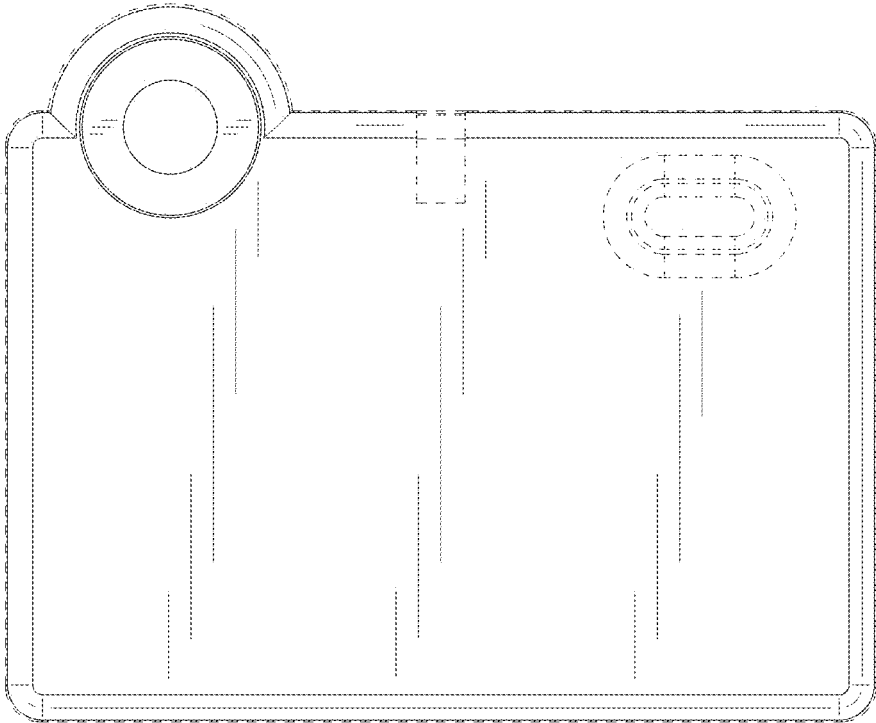


FIG. 2

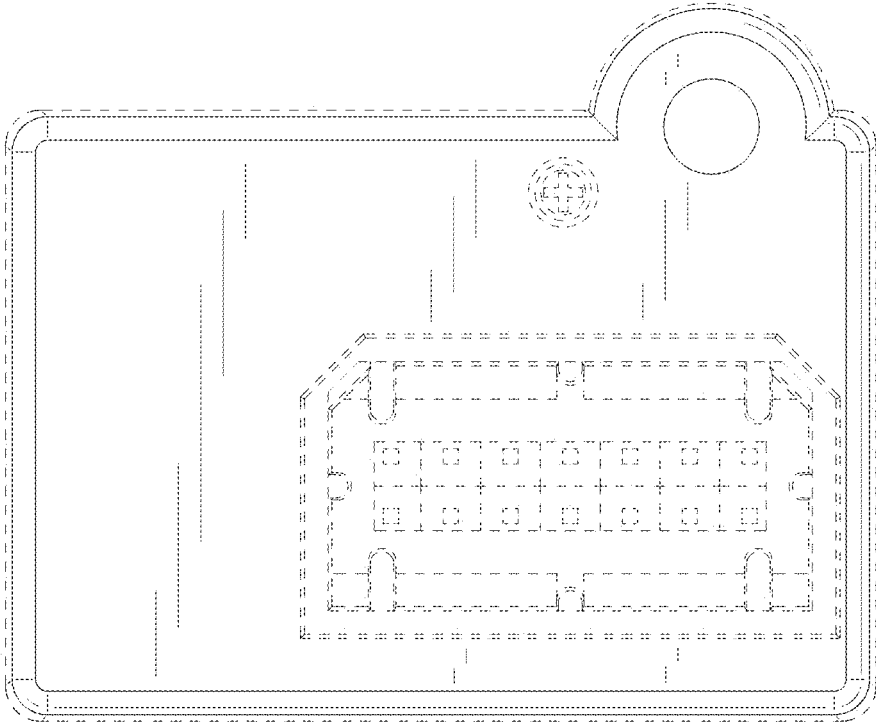


FIG. 3

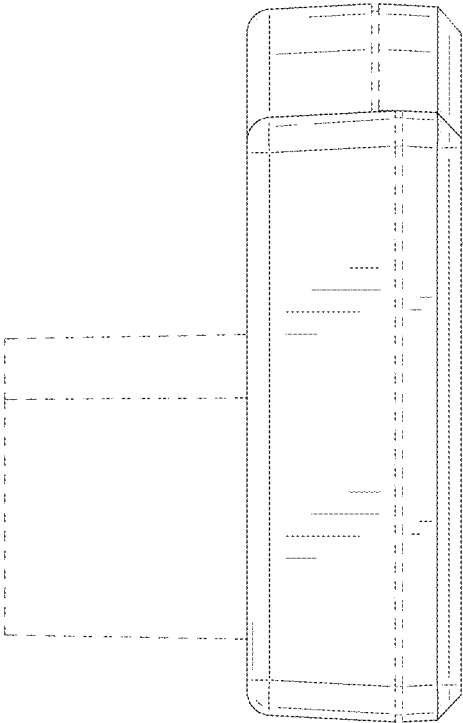


FIG. 4

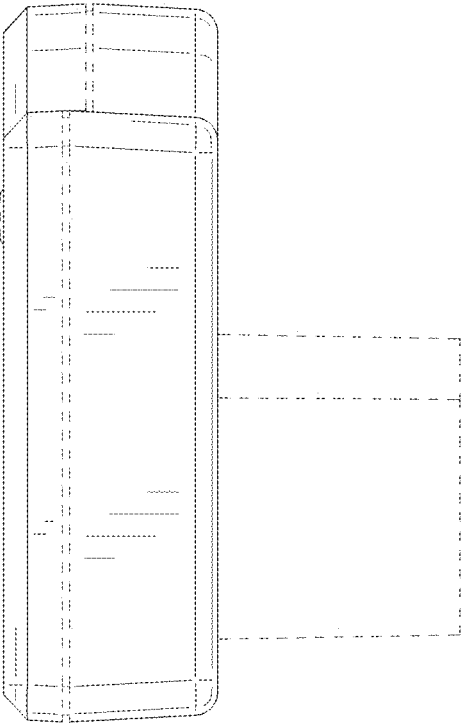


FIG. 5

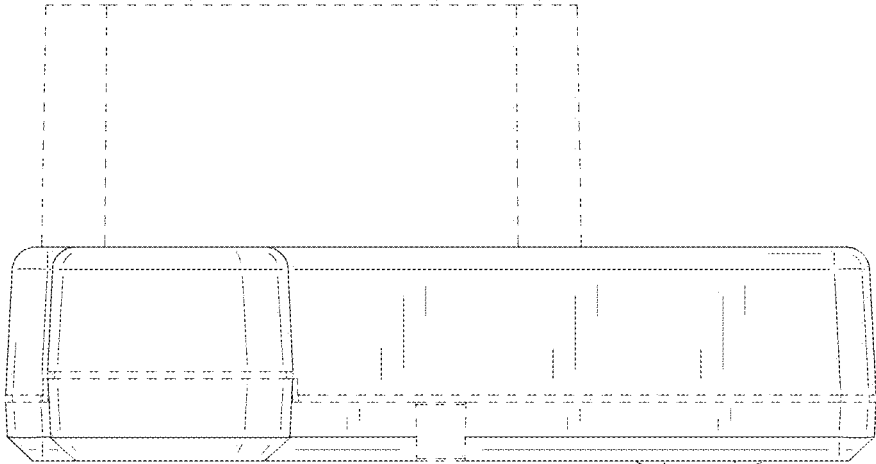


FIG. 6

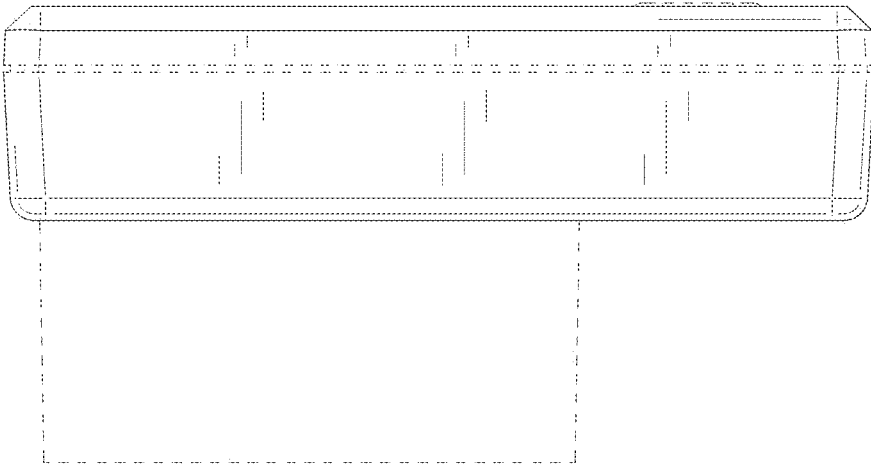


FIG. 7