



US0D1069560S

(12) **United States Design Patent**
Wedding et al.

(10) **Patent No.:** **US D1,069,560 S**

(45) **Date of Patent:** **** Apr. 8, 2025**

- (54) **CABLE HANGER**
- (71) Applicant: **Cambria County Association for the Blind & Handicapped**, Johnstown, PA (US)
- (72) Inventors: **Timothy Joseph Wedding**, Johnstown, PA (US); **John William Giffin**, Johnstown, PA (US)
- (73) Assignee: **CAMBRIA COUNTY ASSOCIATION FOR THE BLIND AND HANDICAPPED**, Johnstown, PA (US)
- (**) Term: **15 Years**

5,176,302 A *	1/1993	Smith	B44D 3/14
				224/678
D373,072 S	8/1996	Durante		
5,582,058 A	12/1996	Knudson		
D404,127 S	1/1999	Lammers		
5,996,955 A	12/1999	Chen		
D422,888 S	4/2000	Outten		
D434,308 S *	11/2000	Kalat	D8/499
D458,116 S	6/2002	Roethler		
D465,997 S	11/2002	Kalat		
D489,963 S	5/2004	Mazooji et al.		
D499,956 S	12/2004	Wall		
D504,934 S	5/2005	Amburgey		
D528,900 S	9/2006	Thompson		
D532,074 S	11/2006	Travis, Sr.		
D546,147 S	7/2007	Cullen		
D552,980 S	10/2007	Svedberg		
D554,980 S	11/2007	Mihelis		

(Continued)

(21) Appl. No.: **29/902,473**

(22) Filed: **Sep. 13, 2023**

(51) **LOC (15) Cl.** **08-11**

(52) **U.S. Cl.**
USPC **D8/367**

(58) **Field of Classification Search**
USPC D8/367, 354, 349, 356, 395; D12/162; D13/153
CPC A47G 29/083; F16B 45/00; B60P 7/0823; H02G 3/32; F16L 3/14; B44D 3/14
See application file for complete search history.

Primary Examiner — Cynthia R Underwood
(74) *Attorney, Agent, or Firm* — Eckert Seamans Cherin & Mellott, LLC

(57) **CLAIM**

The ornamental design for a cable hanger as shown and described.

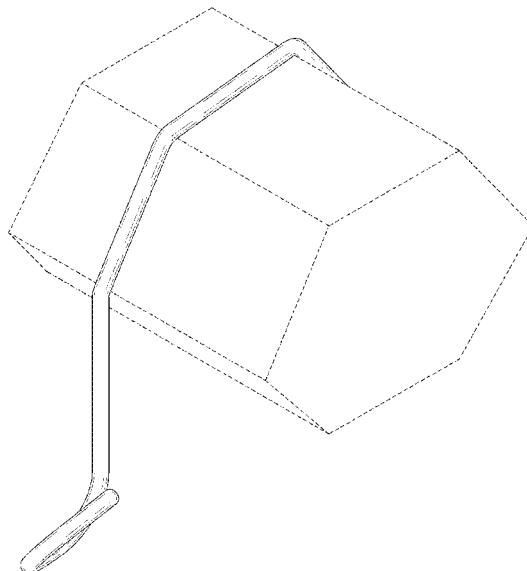
DESCRIPTION

FIG. 1 is a first isometric view of the cable hanger; FIG. 2 is a second isometric view of the cable hanger; FIG. 3 is a front view of the cable hanger; FIG. 4 is a rear view of the cable hanger; FIG. 5 is a top view of the cable hanger; FIG. 6 is a bottom view of the cable hanger; FIG. 7 is a left view of the cable hanger; and, FIG. 8 is a right view of the cable hanger. The broken lines in the drawings depict environmental subject matter only and form no part of the claimed design.

(56) **References Cited**
U.S. PATENT DOCUMENTS

1,336,558 A	4/1920	Bancroft	
2,235,685 A	3/1941	Klein	
2,506,321 A	5/1950	Vosburgh	
2,636,704 A	4/1953	Norberg	
D263,021 S	2/1982	Siegried	
D281,950 S	12/1985	Sachs	
D283,787 S	5/1986	Chap	
4,714,221 A *	12/1987	Cawrey A47F 5/0823
			248/220.42
4,979,712 A	12/1990	Rios	

1 Claim, 6 Drawing Sheets



(56)

References Cited

U.S. PATENT DOCUMENTS

D566,538 S	4/2008	Wrase et al.	D753,984 S	4/2016	Combs
D585,266 S	1/2009	Meyers	D763,063 S	8/2016	Welch
7,494,095 B2	2/2009	Walker et al.	D801,157 S	10/2017	Turbenson
D587,470 S	3/2009	Croisdale et al.	D801,158 S	10/2017	Turbenson
D596,859 S *	7/2009	Castaline D3/328	D801,159 S	10/2017	Turbenson
D599,646 S	9/2009	Meyers	D837,637 S	1/2019	Hack
D600,102 S	9/2009	Larkin	D865,497 S	11/2019	Williamson
7,677,504 B2	3/2010	Hutchinson et al.	D874,906 S	2/2020	Ruddick et al.
7,735,189 B2	6/2010	Richardson	10,670,170 B2	6/2020	Shea et al.
7,757,996 B2 *	7/2010	Jacobs F16L 3/14 248/302	10,869,569 B2	12/2020	Lehtonen
7,823,852 B1	11/2010	Reno	D919,417 S	5/2021	Wedding et al.
D629,291 S	12/2010	Veilleux	D919,418 S	5/2021	Wedding et al.
D631,332 S	1/2011	Bauer et al.	D922,182 S	6/2021	Wedding et al.
D632,952 S	2/2011	Dablemont	D931,766 S	9/2021	Robinson
D644,088 S	8/2011	Gallaty	D942,253 S	2/2022	Wedding et al.
D648,208 S	11/2011	Platt	D949,112 S	4/2022	Wedding et al.
8,162,361 B2	4/2012	Biddington	D969,750 S	11/2022	Wedding et al.
D661,574 S	6/2012	Platt	D993,755 S *	8/2023	Reiff D8/370
D668,938 S	10/2012	Morales	D1,002,356 S *	10/2023	Asai D8/394
D672,227 S	12/2012	Hendricks	D983,148 S	12/2023	Wedding et al.
D673,031 S	12/2012	Hendricks et al.	D1,007,286 S *	12/2023	Martin D8/367
D679,095 S	4/2013	Williams et al.	D1,008,006 S *	12/2023	Martin D8/367
D680,421 S	4/2013	Martin et al.	D1,008,007 S *	12/2023	Martin D8/367
D687,291 S	8/2013	Hendricks	D1,008,791 S *	12/2023	Huang D8/367
D692,838 S	11/2013	Winn	D1,009,799 S *	1/2024	Rand D13/153
D698,105 S	1/2014	Huster	D1,009,800 S *	1/2024	Rand D13/153
D699,556 S *	2/2014	Hendricks D8/394	D1,027,629 S *	5/2024	Engler D8/367
8,783,628 B2	7/2014	Jette	D1,032,341 S *	6/2024	Hull D8/367
D712,240 S	9/2014	Bracegirdle	D1,044,485 S *	10/2024	Zheng D8/367
D725,045 S	3/2015	Nonen	2002/0000504 A1	1/2002	Bayne
D742,727 S	11/2015	Martin et al.	2004/0118989 A1 *	6/2004	Sidelman A47G 29/083 248/339
			2005/0009423 A1 *	1/2005	Goodman F16B 45/023 441/84
			2016/0153587 A1	6/2016	Smith et al.

* cited by examiner

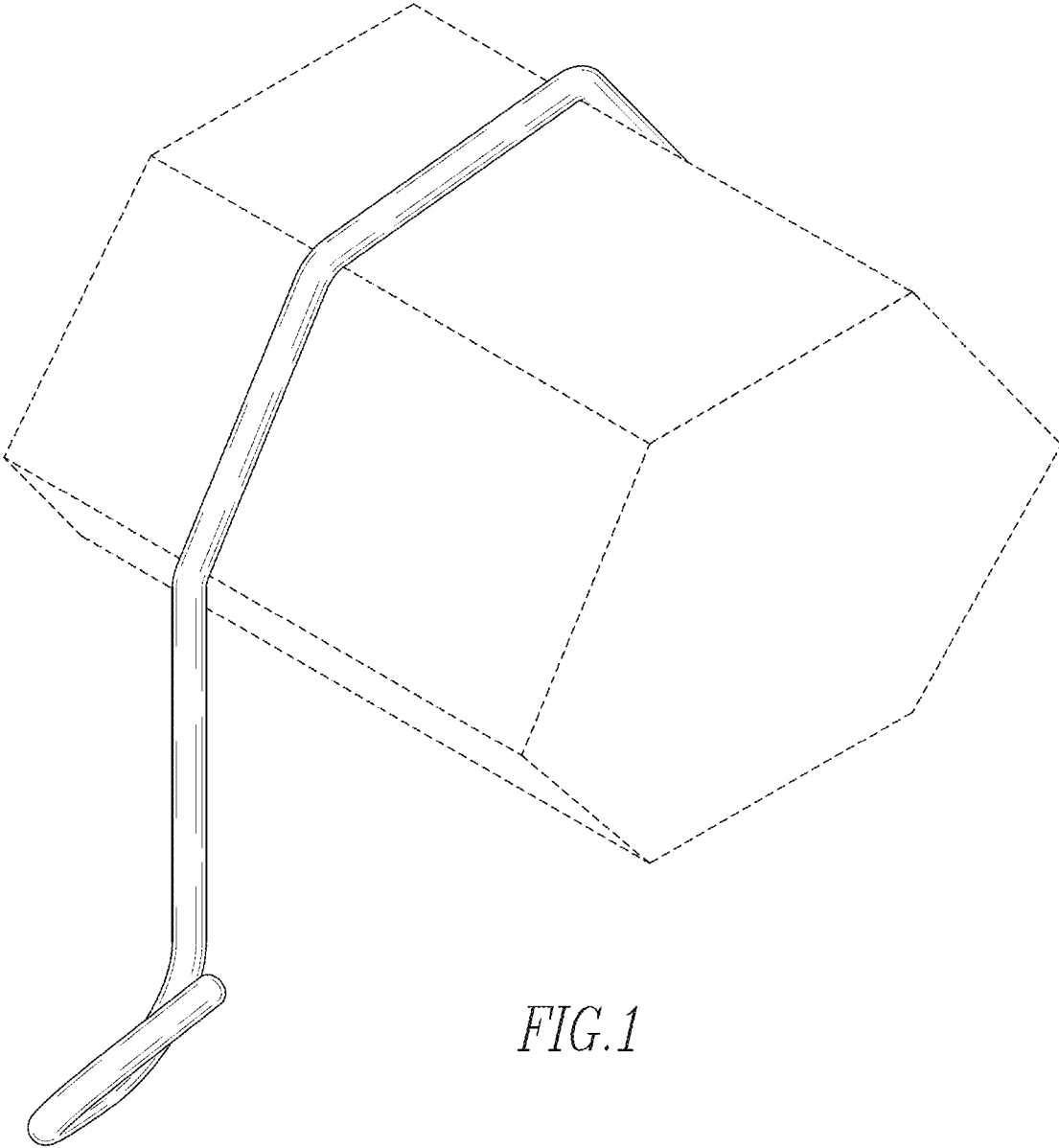


FIG. 1

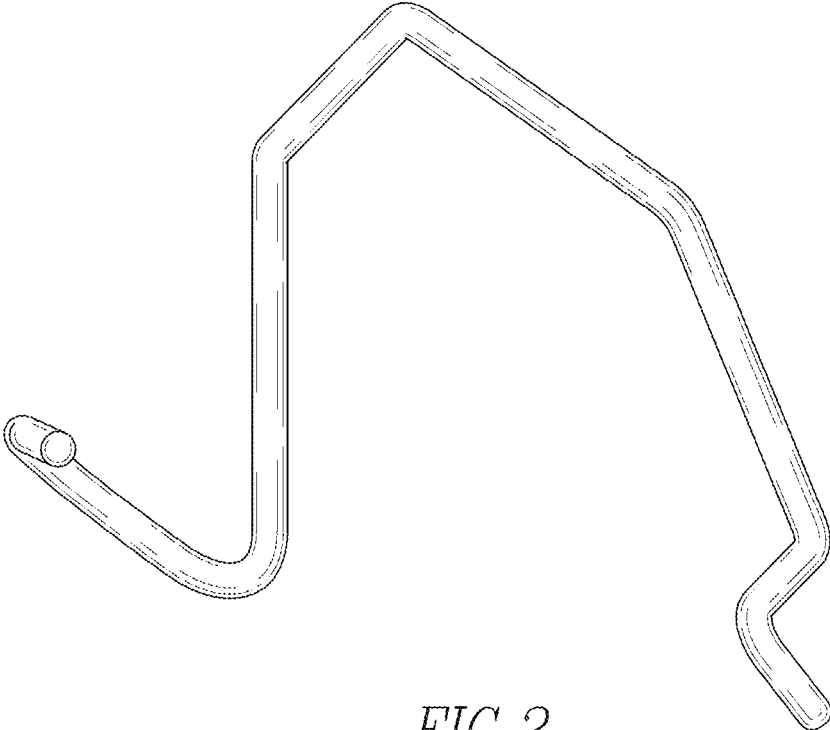


FIG.2

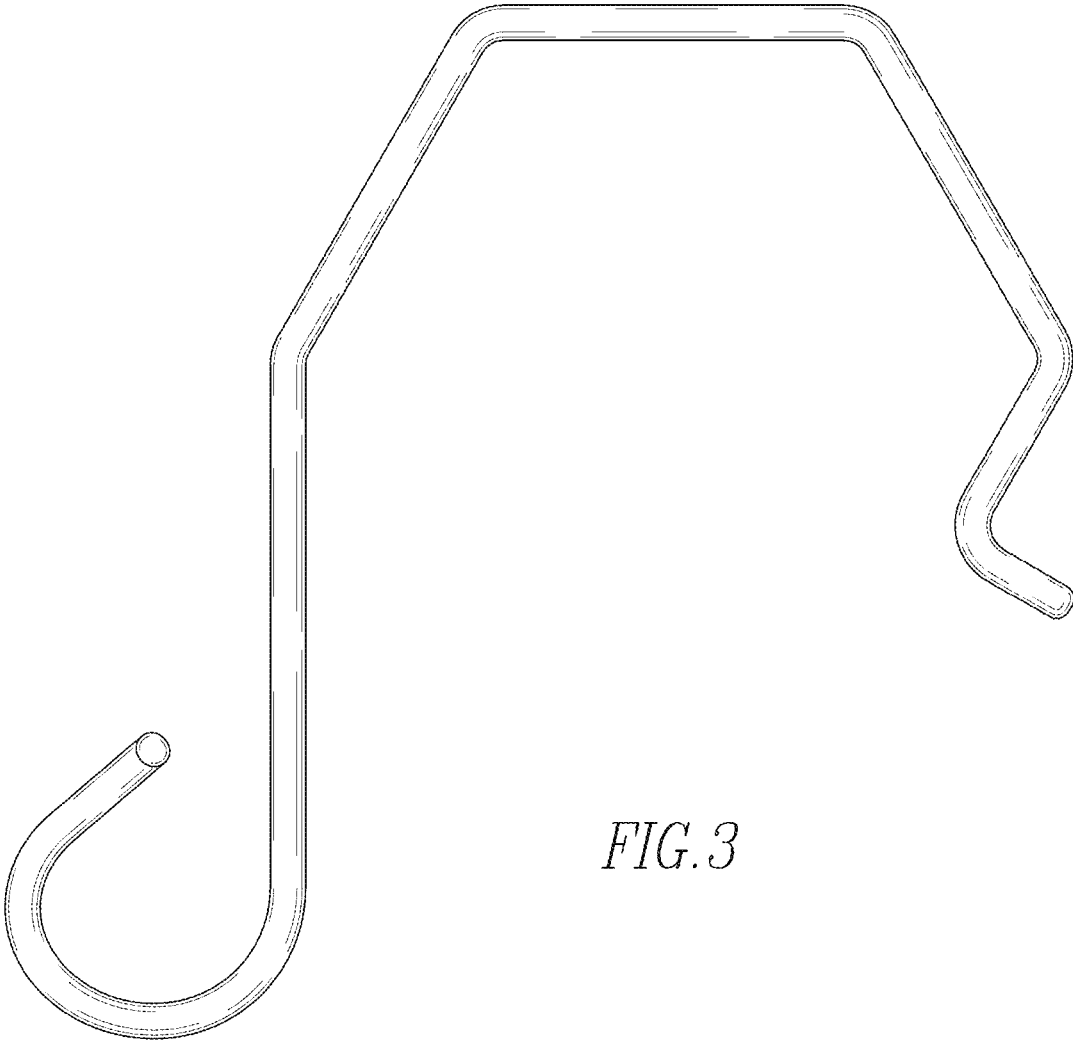


FIG. 3

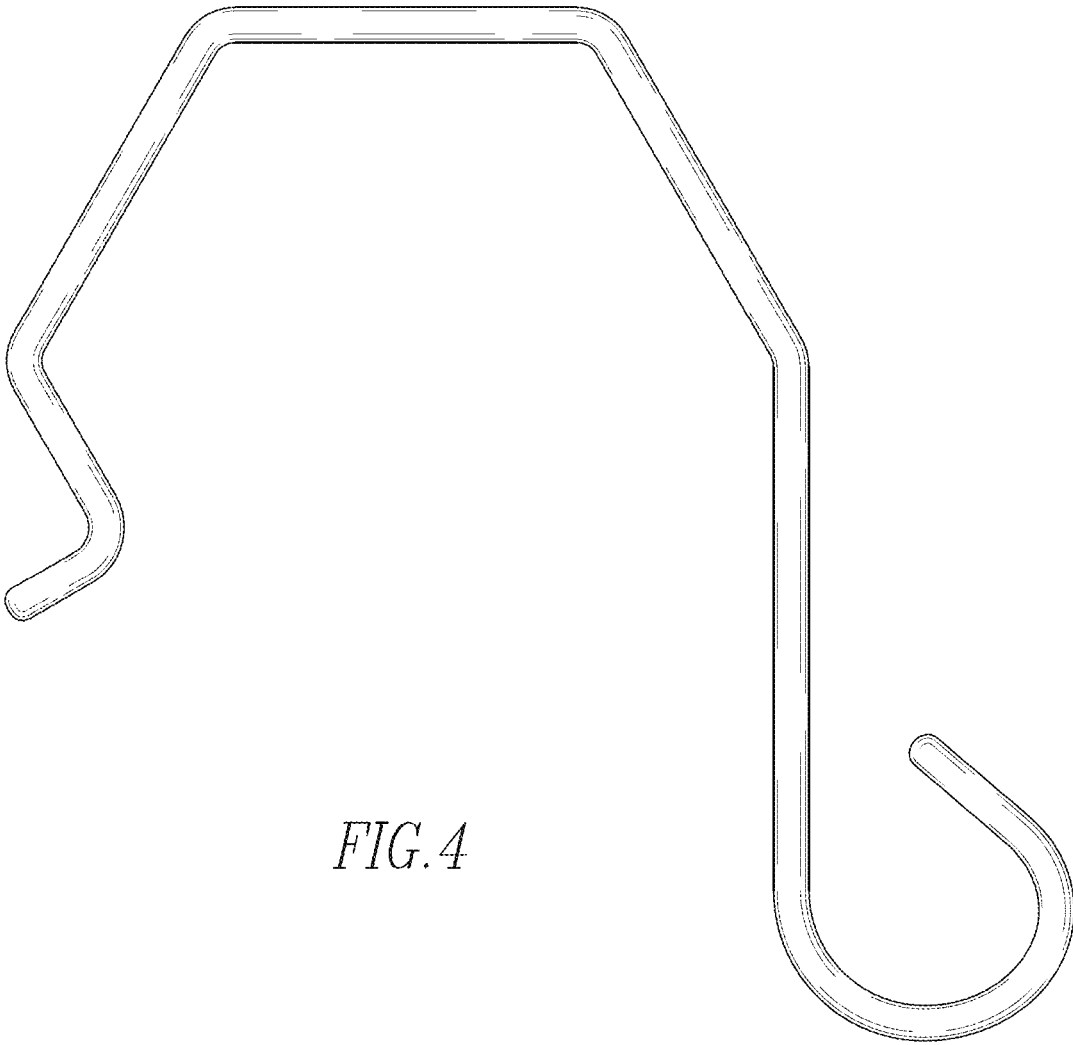


FIG. 4

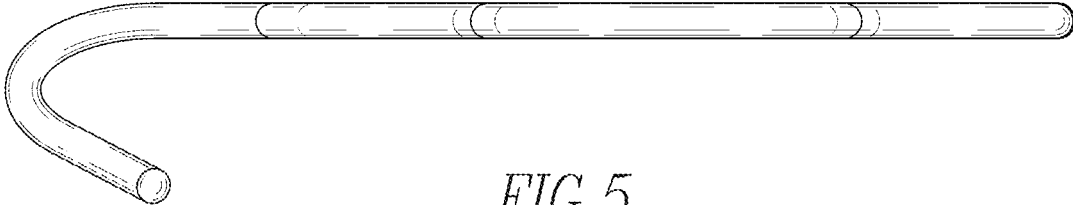


FIG. 5

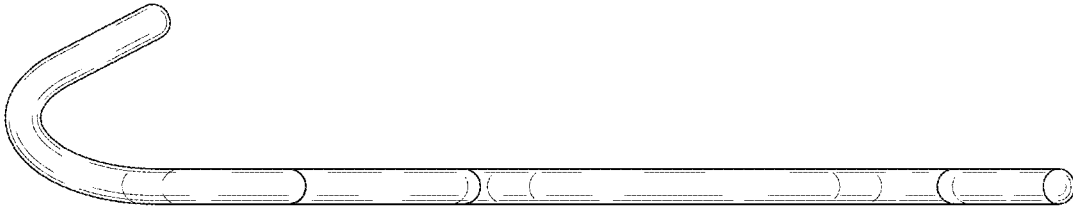


FIG. 6

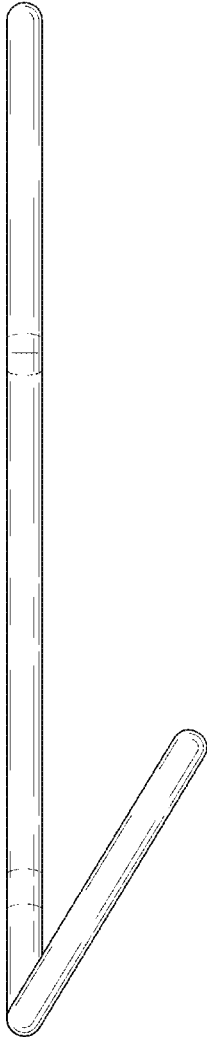


FIG. 7



FIG. 8