

US00D552729S

(12) **United States Design Patent**
Cox et al.

(10) **Patent No.:** **US D552,729 S**
(45) **Date of Patent:** **** Oct. 9, 2007**

(54) **DUST CAP WITH THE TELESCOPIC STRAP OF A METERED DOSE INHALER**

6,672,304 B1 * 1/2004 Casper et al. 128/200.23
7,047,967 B2 * 5/2006 Knudsen 128/202.22
D529,605 S * 10/2006 Huxham et al. D24/110

(75) Inventors: **Mark Anthony Cox**, Ware (GB); **Allen John Pearson**, Huntingdon (GB); **Paul Kenneth Rand**, Ware (GB)

* cited by examiner

(73) Assignee: **Glaxo Group Limited**, Greenford (GB)

Primary Examiner—Ian Simmons
Assistant Examiner—Christopher Lee
(74) *Attorney, Agent, or Firm*—James P. Riek

(**) Term: **14 Years**

(21) Appl. No.: **29/248,935**

(57) **CLAIM**

(22) Filed: **Sep. 12, 2006**

The ornamental design for a dust cap with the telescopic strap of a metered dose inhaler, as shown and described.

Related U.S. Application Data

(62) Division of application No. 29/225,129, filed on Mar. 11, 2005, now Pat. No. Des. 537,522.

DESCRIPTION

(30) **Foreign Application Priority Data**

Sep. 15, 2004 (GB) 3018742

FIG. 1 is a front perspective view of a cap having a telescopic strap, as shown and described, in its contracted state;

(51) **LOC (8) Cl.** **29-02**

(52) **U.S. Cl.** **D24/110**

FIG. 2 is a plan view of the cap shown in FIG. 1;

(58) **Field of Classification Search** D24/110;
128/203.22, 203.15, 203.21, 203.23, 200.14,
128/200.23

FIG. 3 is an underneath plan of the cap shown in FIG. 1;

FIG. 4 is a side view of the cap shown in FIG. 1;

FIG. 5 is a rear view of the cap shown in FIG. 1;

See application file for complete search history.

FIG. 6 is a front view of the cap shown in FIG. 1; and,

FIG. 7 is a side view of the cap shown in FIG. 1, with the telescopic strap in its extended state.

(56) **References Cited**

U.S. PATENT DOCUMENTS

5,899,200 A * 5/1999 McNary 128/200.14

1 Claim, 3 Drawing Sheets

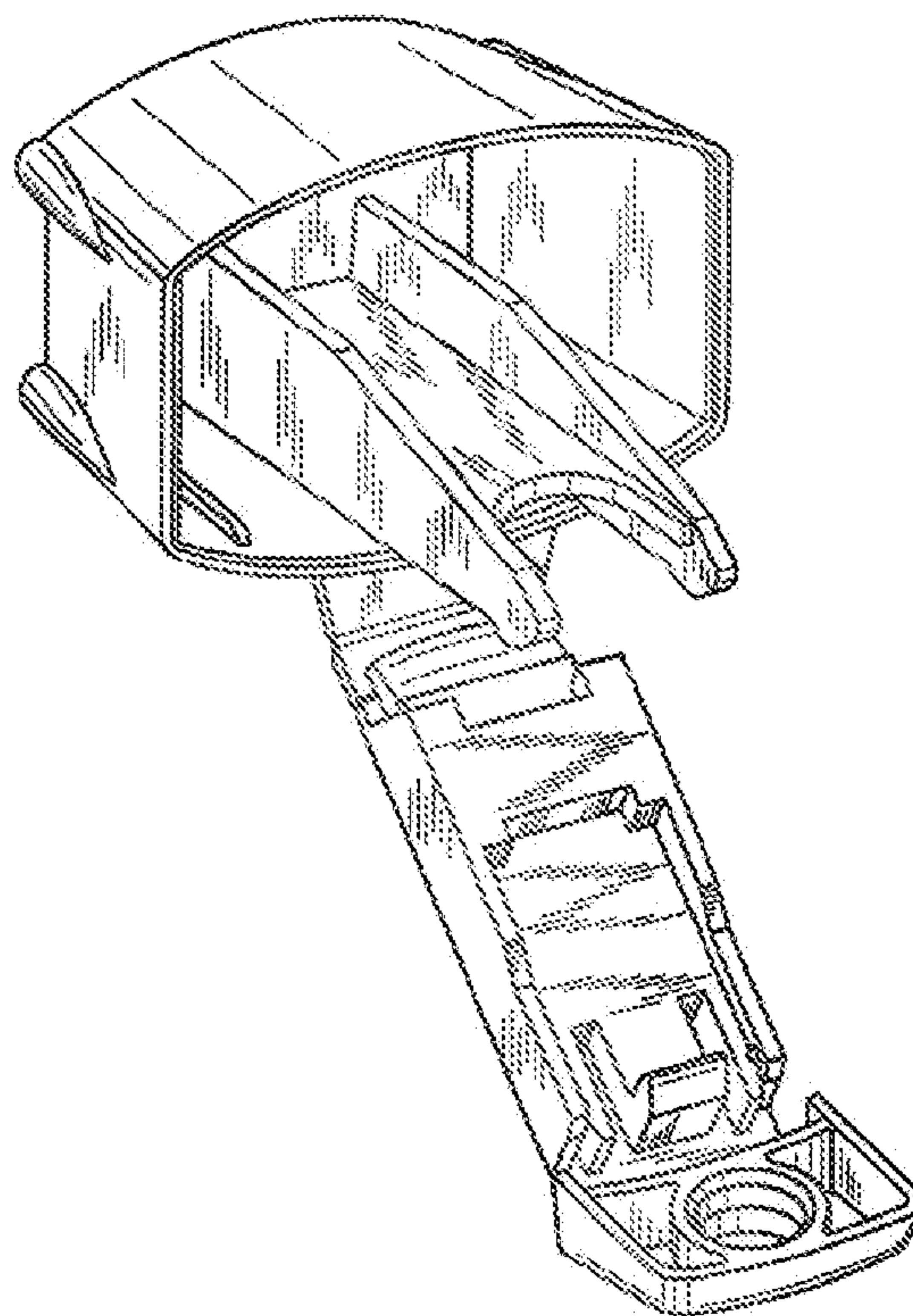


FIG. 1

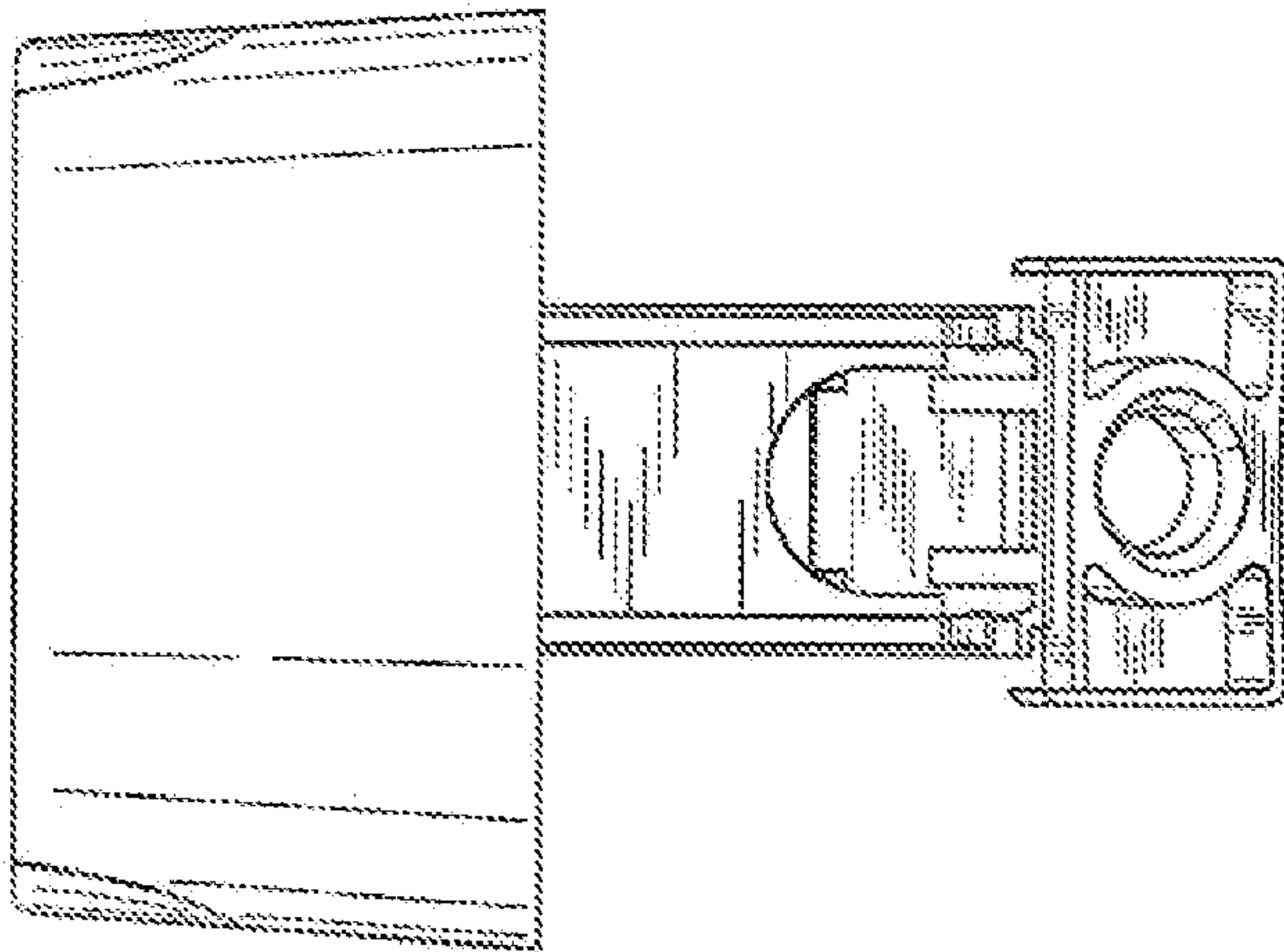
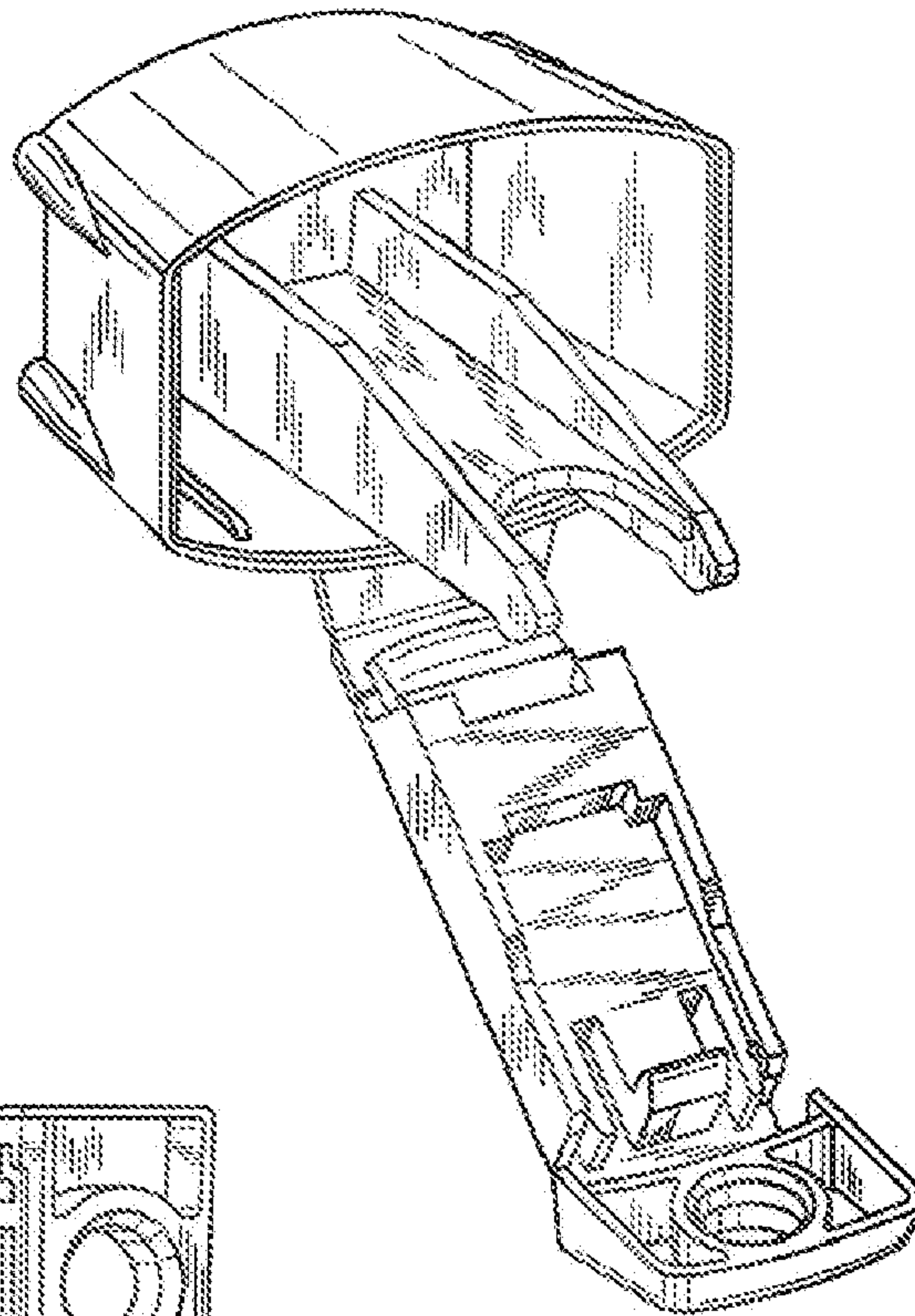


FIG. 2

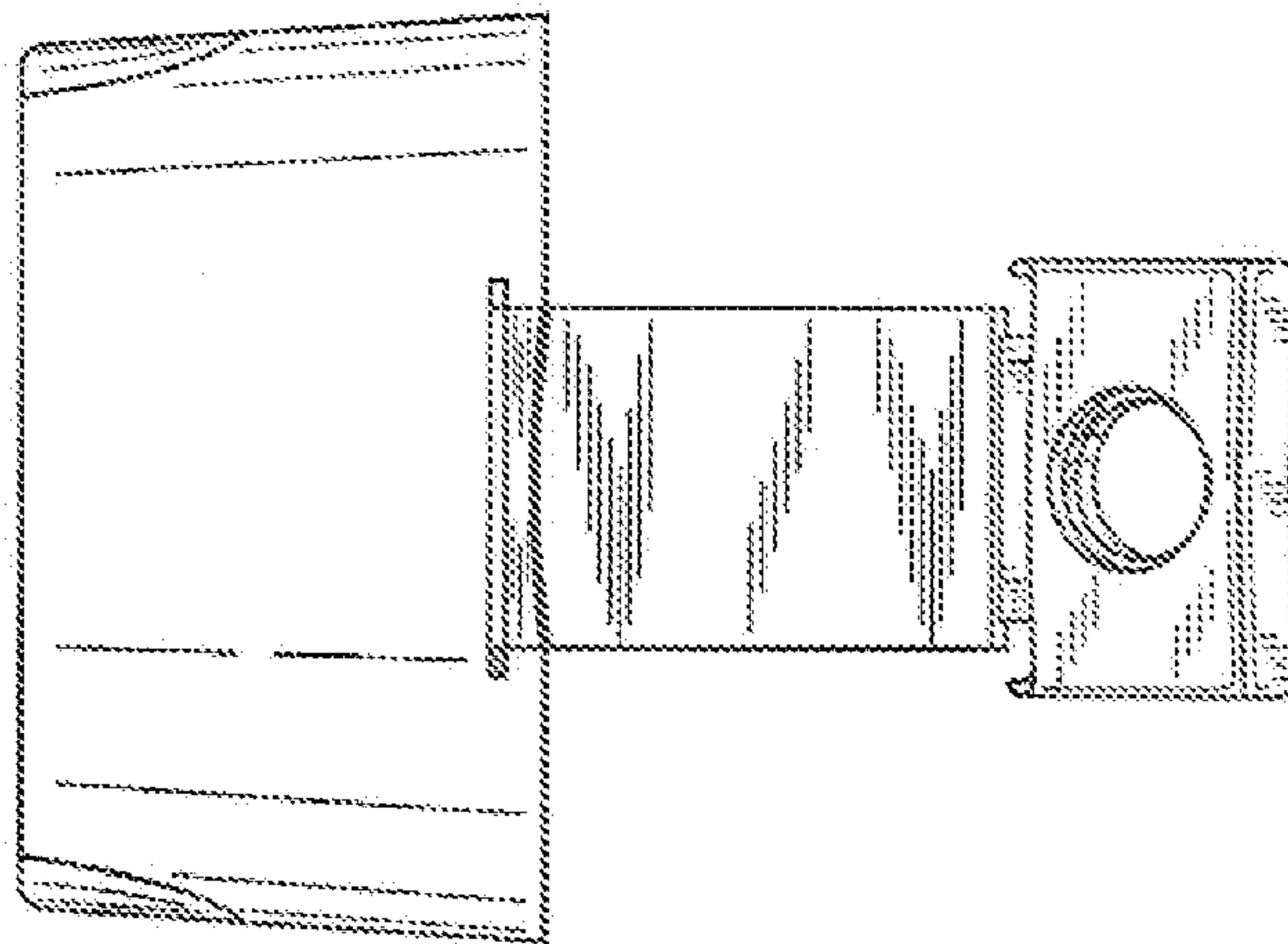


FIG. 3

FIG. 4

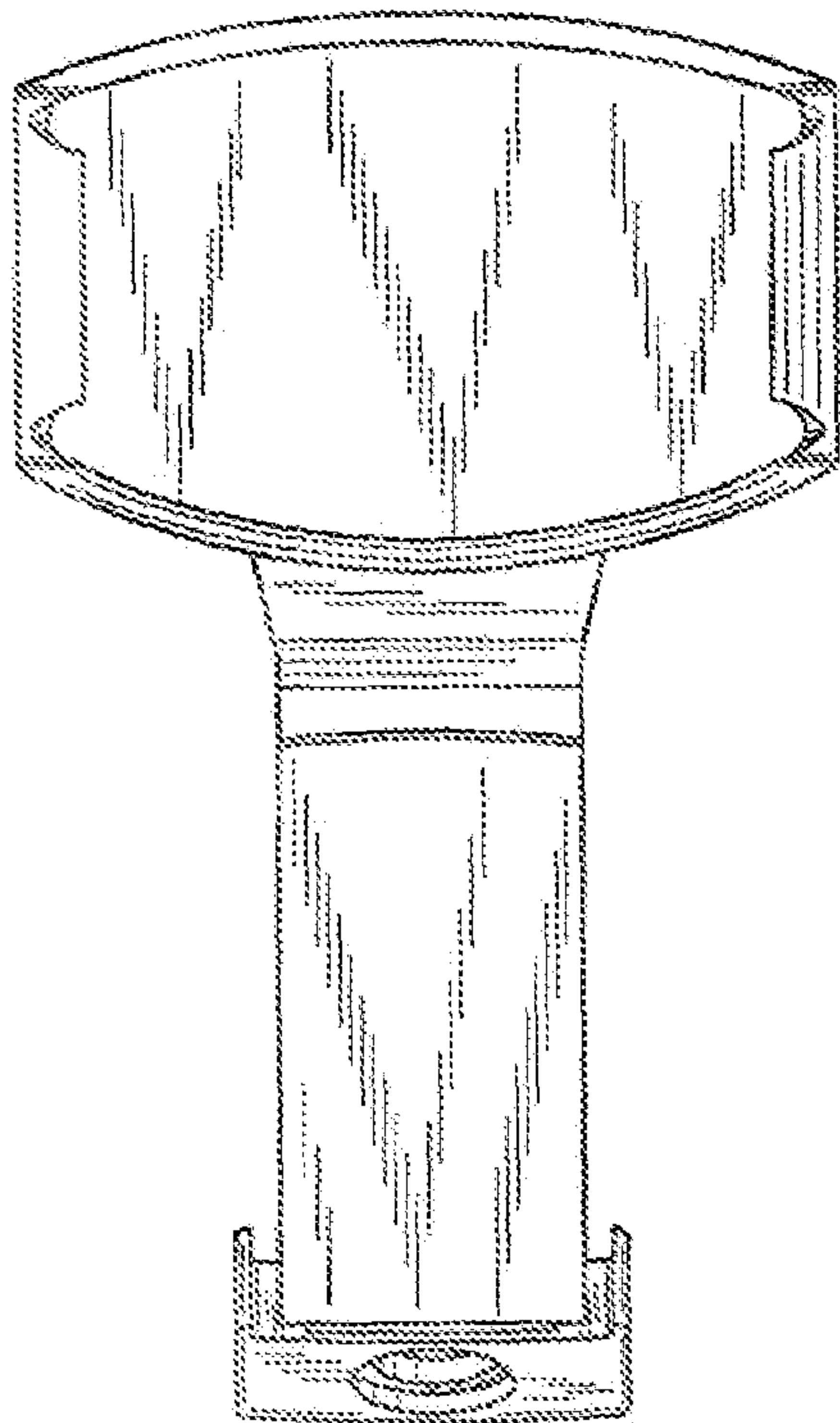
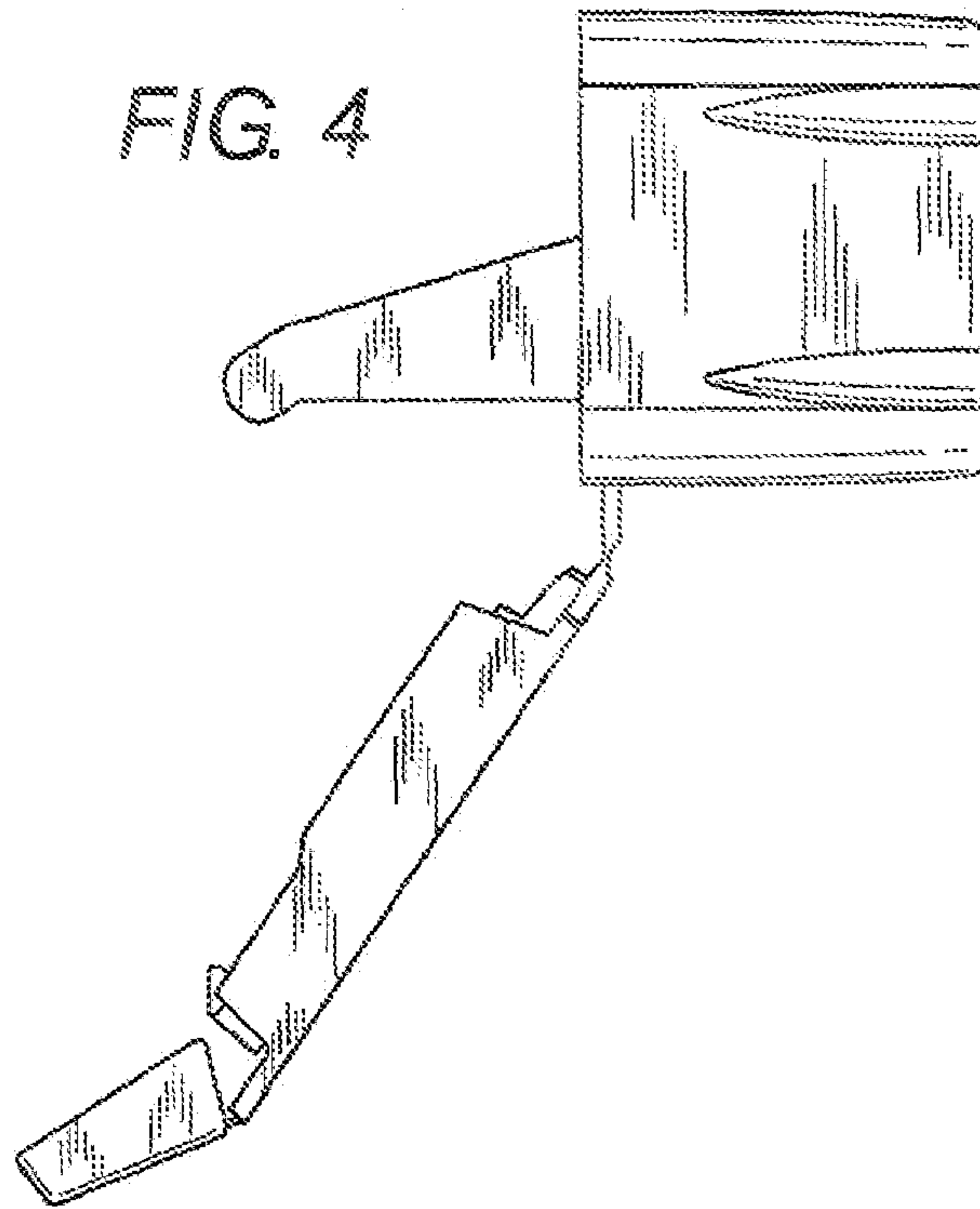


FIG. 5

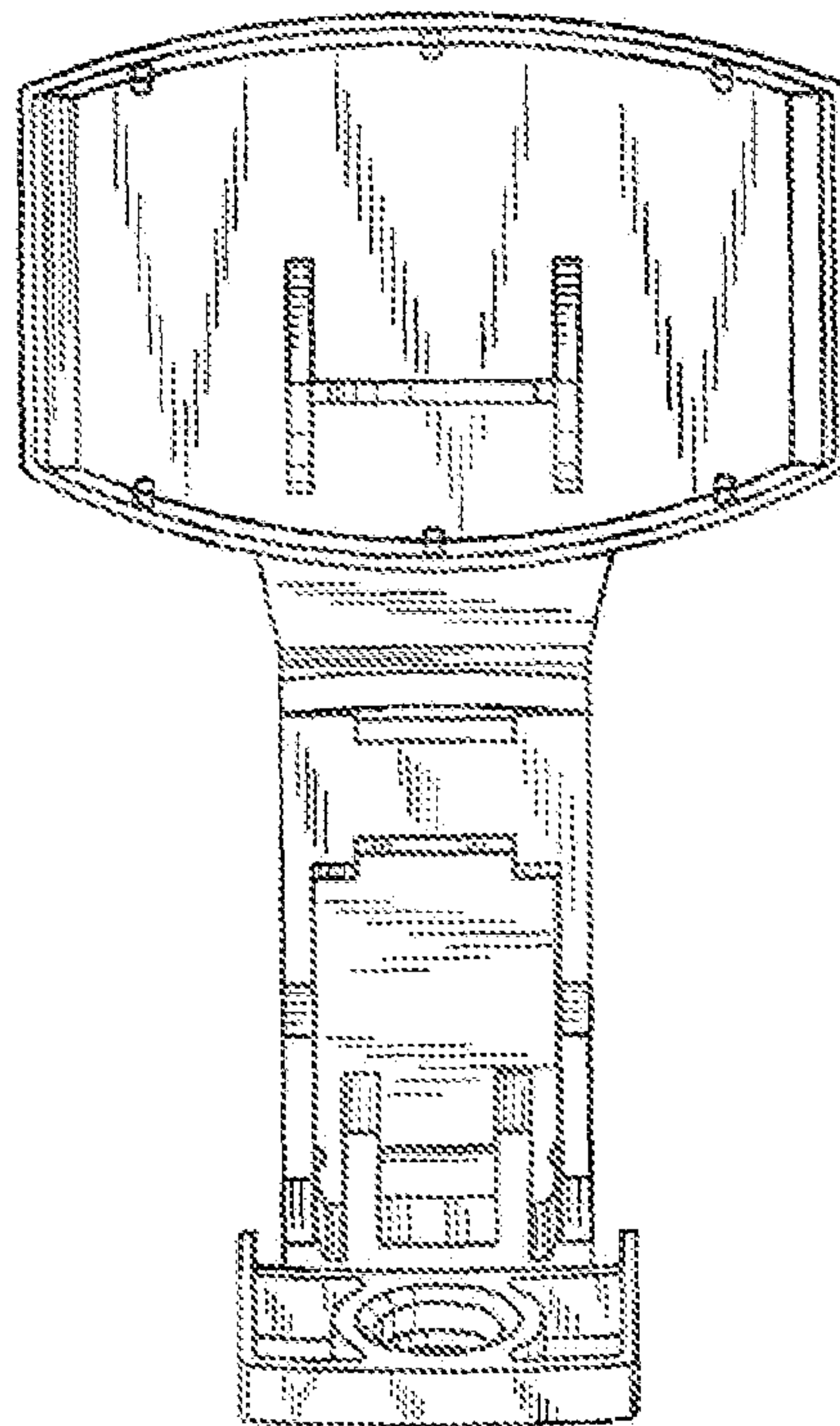


FIG. 6

FIG. 7

