

(19) World Intellectual Property Organization
International Bureau



(43) International Publication Date
14 April 2011 (14.04.2011)

PCT

(10) International Publication Number
WO 2011/044556 A3

- (51) International Patent Classification:
E02B 3/04 (2006.01) *E02B 3/06* (2006.01)
- (21) International Application Number:
PCT/US2010/052182
- (22) International Filing Date:
11 October 2010 (11.10.2010)
- (25) Filing Language: English
- (26) Publication Language: English
- (30) Priority Data:
12/576,359 9 October 2009 (09.10.2009) US
- (72) Inventor; and
- (71) Applicant : PIERCE, JR., Webster [US/US]; 215 West 58th Street, Cut Off, Louisiana 70345 (US).
- (74) Agents: D'SOUZA, Vanessa M. et al.; Garvey, Smith, Nehrbass & North, L.L.C., 3838 N. Causeway Blvd., Suite 3290, Metairie, Louisiana 70002 (US).
- (81) Designated States (unless otherwise indicated, for every kind of national protection available): AE, AG, AL, AM, AO, AT, AU, AZ, BA, BB, BG, BH, BR, BW, BY, BZ, CA, CH, CL, CN, CO, CR, CU, CZ, DE, DK, DM, DO, DZ, EC, EE, EG, ES, FI, GB, GD, GE, GH, GM, GT,

HN, HR, HU, ID, IL, IN, IS, JP, KE, KG, KM, KN, KP, KR, KZ, LA, LC, LK, LR, LS, LT, LU, LY, MA, MD, ME, MG, MK, MN, MW, MX, MY, MZ, NA, NG, NI, NO, NZ, OM, PE, PG, PH, PL, PT, RO, RS, RU, SC, SD, SE, SG, SK, SL, SM, ST, SV, SY, TH, TJ, TM, TN, TR, TT, TZ, UA, UG, US, UZ, VC, VN, ZA, ZM, ZW.

(84) Designated States (unless otherwise indicated, for every kind of regional protection available): ARIPO (BW, GH, GM, KE, LR, LS, MW, MZ, NA, SD, SL, SZ, TZ, UG, ZM, ZW), Eurasian (AM, AZ, BY, KG, KZ, MD, RU, TJ, TM), European (AL, AT, BE, BG, CH, CY, CZ, DE, DK, EE, ES, FI, FR, GB, GR, HR, HU, IE, IS, IT, LT, LU, LV, MC, MK, MT, NL, NO, PL, PT, RO, RS, SE, SI, SK, SM, TR), OAPI (BF, BJ, CF, CG, CI, CM, GA, GN, GQ, GW, ML, MR, NE, SN, TD, TG).

Published:

- with international search report (Art. 21(3))
- before the expiration of the time limit for amending the claims and to be republished in the event of receipt of amendments (Rule 48.2(h))

(88) Date of publication of the international search report:
9 September 2011

(54) Title: WAVE SUPPRESSOR AND SEDIMENT COLLECTION SYSTEM

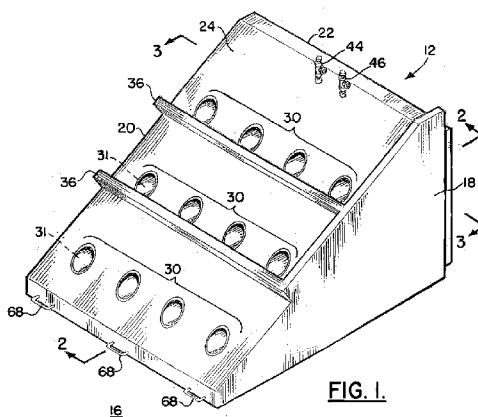


FIG. 1.


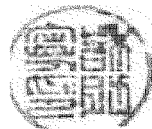
(57) Abstract: A transportable wave suppressor and sediment collection (WSSC) system, including a method of installing same, the system installed to suppress wave action and provide land restoration along the shore of a body of water, such as a coastline, which includes a plurality of interconnected sections of the system, each section including a base, a forward wall, and a rear wall, having a plurality of fluid flow pipes extending from the forward wall to the rear wall, for allowing water including sediment to flow into the pipes at the forward wall and exit the pipes at the rear wall. There is further provided a one-way valve member at the rear wall exit of each pipe, so that water carrying sediment cannot return through the pipe as the wave action recedes from the coastline. To allow water to return to the body of water, there is provided a flow opening including a weir between multiple sections so that water is able to flow there through. Each of the sections would be self-contained, and constructed of a material to allow each section to be floated to a location, wherein material, such as water, or the like, can be pumped into each section resulting in the section to sink and rest on the floor of the body of water, with an upper portion of the section extending a distance above the water surface. The sections would be interconnected and anchored to the floor, so as to provide a continuous system, interrupted only by the water return outlets as stated earlier.



WO 2011/044556 A3

INTERNATIONAL SEARCH REPORT

International application No.
PCT/US2010/052182

A. CLASSIFICATION OF SUBJECT MATTER		
<i>E02B 3/04(2006.01)i, E02B 3/06(2006.01)i</i>		
According to International Patent Classification (IPC) or to both national classification and IPC		
B. FIELDS SEARCHED		
Minimum documentation searched (classification system followed by classification symbols) E02B 3/04; E02D 17/20; E02D 3/00; E02B 3/12; B65G 5/00; E02D 3/02; A01G 9/02		
Documentation searched other than minimum documentation to the extent that such documents are included in the fields searched Korean utility models and applications for utility models Japanese utility models and applications for utility models		
Electronic data base consulted during the international search (name of data base and, where practicable, search terms used) eKOMPASS(KIPO internal) & Keywords: erosion, sand, and sediment		
C. DOCUMENTS CONSIDERED TO BE RELEVANT		
Category*	Citation of document, with indication, where appropriate, of the relevant passages	Relevant to claim No.
A	KR 10-2007-0038196 A (DOO, WU GYUN) 10 April 2007 See page 4 and figure 2.	1-23
A	US 05489165A A (SMITH; DAVID J.) 06 February 1996 See columns 4-5 and figure 1.	1-23
A	EP 0285202 A1 (POLYDAK B.V.) 05 October 1988 See columns 4-5 and figure 1.	1-23
A	US 2005-0123352 A1 (DENNIS PEYTON) 09 June 2005 See columns 6-7 and figure 9.	1-23
<input type="checkbox"/> Further documents are listed in the continuation of Box C. <input checked="" type="checkbox"/> See patent family annex.		
* Special categories of cited documents: "A" document defining the general state of the art which is not considered to be of particular relevance "E" earlier application or patent but published on or after the international filing date "L" document which may throw doubts on priority claim(s) or which is cited to establish the publication date of citation or other special reason (as specified) "O" document referring to an oral disclosure, use, exhibition or other means "P" document published prior to the international filing date but later than the priority date claimed "T" later document published after the international filing date or priority date and not in conflict with the application but cited to understand the principle or theory underlying the invention "X" document of particular relevance; the claimed invention cannot be considered novel or cannot be considered to involve an inventive step when the document is taken alone "Y" document of particular relevance; the claimed invention cannot be considered to involve an inventive step when the document is combined with one or more other such documents, such combination being obvious to a person skilled in the art "&" document member of the same patent family		
Date of the actual completion of the international search 07 JULY 2011 (07.07.2011)		Date of mailing of the international search report 07 JULY 2011 (07.07.2011)
Name and mailing address of the ISA/KR  Korean Intellectual Property Office Government Complex-Daejeon, 189 Cheongsu-ro, Seo-gu, Daejeon 302-701, Republic of Korea Facsimile No. 82-42-472-7140		Authorized officer HUR, Jo Young Telephone No. 82-42-481-8554 

INTERNATIONAL SEARCH REPORT

Information on patent family members

International application No.

PCT/US2010/052182

Patent document cited in search report	Publication date	Patent family member(s)	Publication date
KR 10-2007-0038196 A	10.04.2007	None	
US 05489165A A	06.02.1996	None	
EP 0285202 A1	05.10.1988	DE 3863218 D1 EP 0285202 B1 NL8700636A	18.07.1991 12.06.1991 17.10.1988
US 2005-0123352 A1	09.06.2005	US 2003-0161666 A1 US 2004-0060849 A1 US 6709199 B2 US 6848860 B2	28.08.2003 01.04.2004 23.03.2004 01.02.2005