

(19) World Intellectual Property Organization
International Bureau



(43) International Publication Date
18 November 2004 (18.11.2004)

PCT

(10) International Publication Number
WO 2004/098380 A3

(51) International Patent Classification⁷: A61F 5/00

(21) International Application Number:
PCT/US2004/012664

(22) International Filing Date: 23 April 2004 (23.04.2004)

(25) Filing Language: English

(26) Publication Language: English

(30) Priority Data:
10/423,879 28 April 2003 (28.04.2003) US

(63) Related by continuation (CON) or continuation-in-part (CIP) to earlier application:
US 10/423,879 (CIP)
Filed on 28 April 2003 (28.04.2003)

(71) Applicant (for all designated States except US): SPINE SOLUTIONS, INC. [US/US]; 169 Russell Road, Building One, Paoli, PA 19301 (US).

(72) Inventors; and

(75) Inventors/Applicants (for US only): MARNAY, Thierry [FR/FR]; Clinic du Parc, B.P. 20, F-34171 Castelnau le Lez (FR). BERTAGNOLI, Rudolf [DE/DE]; Kay 2a, 94315 Straubing (DE). MCGEE, Francis, P. [US/US]; 505 Park

Avenue, New York, NY 10022 (US). ECKHOF, Stephan [DE/DE]; Neuhauser Strasse 47, 78532 tuttlingen (DE). NICHOLS, David, L. [US/US]; 505 Park Avenue, New York, NY 10022 (US). GEISERT, Christophe [DE/DE]; Nuehauser Strasse 47, 78532 Tuttlingen (DE).

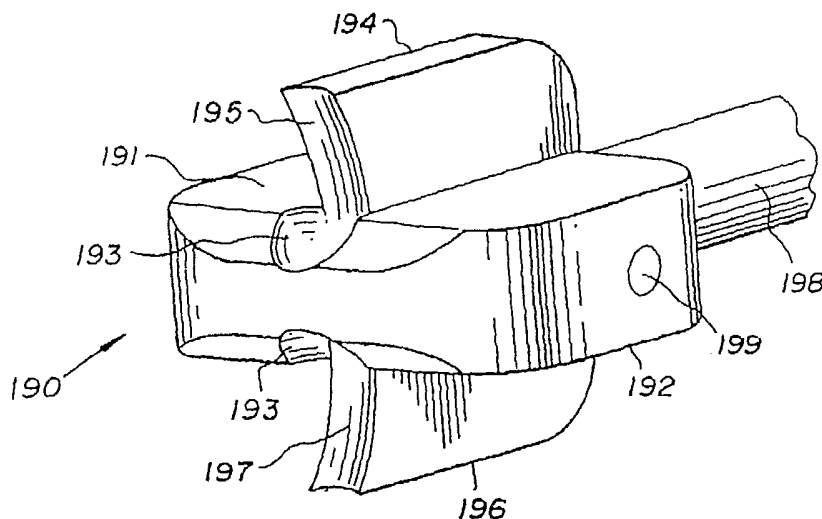
(74) Agent: PETRY, Marvin; Stites & Harbison PLLC, 1199 North Fairfax Street, Suite 900, Alexandria, VA 22314 (US).

(81) Designated States (unless otherwise indicated, for every kind of national protection available): AE, AG, AL, AM, AT, AU, AZ, BA, BB, BG, BR, BW, BY, BZ, CA, CH, CN, CO, CR, CU, CZ, DE, DK, DM, DZ, EC, EE, EG, ES, FI, GB, GD, GE, GH, GM, HR, HU, ID, IL, IN, IS, JP, KE, KG, KP, KR, KZ, LC, LK, LR, LS, LT, LU, LV, MA, MD, MG, MK, MN, MW, MX, MZ, NA, NI, NO, NZ, OM, PG, PH, PL, PT, RO, RU, SC, SD, SE, SG, SK, SL, SY, TJ, TM, TN, TR, TT, TZ, UA, UG, US (patent), UZ, VC, VN, YU, ZA, ZM, ZW.

(84) Designated States (unless otherwise indicated, for every kind of regional protection available): ARIPO (BW, GH, GM, KE, LS, MW, MZ, SD, SL, SZ, TZ, UG, ZM, ZW), Eurasian (AM, AZ, BY, KG, KZ, MD, RU, TJ, TM), European (AT, BE, BG, CH, CY, CZ, DE, DK, EE, ES, FI, FR,

[Continued on next page]

(54) Title: INSTRUMENTS AND METHOD FOR PREPARING AN INTERVERTEBRAL SPACE FOR RECEIVING AN ARTIFICIAL DISC IMPLANT



(57) Abstract: Instruments and methods for preparing an intervertebral space for receiving an implant. An adjustable trial implant (51) has an adjustable stop mechanism having a stop member (64) connected thereto to vary the distance that a body portion of the trial implant (51) can move into the intervertebral space. Cutting tools for forming cutouts in the adjacent vertebrae use the trial implant (51) and/or a guide (130) to position a cutting tool which may be a burr (140) or a chisel (90). The chisel cutting tool (90) can be moveable relative to a selected trial implant (51) or the chisel cutting tools can be fixed onto a trial implant (190) shaped body portion.

WO 2004/098380 A3



GB, GR, HU, IE, IT, LU, MC, NL, PL, PT, RO, SE, SI, SK,
TR), OAPI (BF, BJ, CF, CG, CI, CM, GA, GN, GQ, GW,
ML, MR, NE, SN, TD, TG).

(88) **Date of publication of the international search report:**
11 August 2005

Published:

- *with international search report*
- *before the expiration of the time limit for amending the claims and to be republished in the event of receipt of amendments*

For two-letter codes and other abbreviations, refer to the "Guidance Notes on Codes and Abbreviations" appearing at the beginning of each regular issue of the PCT Gazette.

INTERNATIONAL SEARCH REPORT

International application No.

PCT/US04/12664

A. CLASSIFICATION OF SUBJECT MATTER IPC(7) : A61F 5/00 US CL : 606/86 According to International Patent Classification (IPC) or to both national classification and IPC		
B. FIELDS SEARCHED Minimum documentation searched (classification system followed by classification symbols) U.S. : 606/53, 60, 61, 86, 87; 623/17.11-17.16 Documentation searched other than minimum documentation to the extent that such documents are included in the fields searched Electronic data base consulted during the international search (name of data base and, where practicable, search terms used)		
C. DOCUMENTS CONSIDERED TO BE RELEVANT		
Category *	Citation of document, with indication, where appropriate, of the relevant passages	Relevant to claim No.
A	US 6,254,318 B1 (LONGHINI et al) 25 February 2003 (25.02.2003), column 14, lines 16-34.	1-78
X	US 2003/0045884 A1 (ROBIE et al), 6 March 2003 (6.03.2003), Figures 1-3A, para [0021] and [0022].	54-55
X	US 6,436,098 B1 (MICHELSON), Figures 5, 10 and 11C.	46 and 51-53
<input type="checkbox"/> Further documents are listed in the continuation of Box C. <input type="checkbox"/> See patent family annex.		
* Special categories of cited documents:		
"A" document defining the general state of the art which is not considered to be of particular relevance	"T" later document published after the international filing date or priority date and not in conflict with the application but cited to understand the principle or theory underlying the invention	
"E" earlier application or patent published on or after the international filing date	"X" document of particular relevance; the claimed invention cannot be considered novel or cannot be considered to involve an inventive step when the document is taken alone	
"L" document which may throw doubts on priority claim(s) or which is cited to establish the publication date of another citation or other special reason (as specified)	"Y" document of particular relevance; the claimed invention cannot be considered to involve an inventive step when the document is combined with one or more other such documents, such combination being obvious to a person skilled in the art	
"O" document referring to an oral disclosure, use, exhibition or other means	"&" document member of the same patent family	
"P" document published prior to the international filing date but later than the priority date claimed		
Date of the actual completion of the international search 15 May 2005 (15.05.2005)	Date of mailing of the international search report 13 JUN 2005	
Name and mailing address of the ISA/US Mail Stop PCT, Attn: ISA/US Commissioner for Patents P.O. Box 1450 Alexandria, Virginia 22313-1450 Facsimile No. (703) 305-3230	Authorized officer <i>Kevin Shaver</i> Kevin Shaver Telephone No. (571) 272-4718	