



US00D668317S

(12) **United States Design Patent**
Thomas

(10) **Patent No.:** **US D668,317 S**

(45) **Date of Patent:** **** Oct. 2, 2012**

(54) **LOW PROFILE SNAG-LESS FISHING ROD GUIDE DESIGNS**

(75) Inventor: **Bailus Dee Thomas**, Brentwood, CA (US)

(73) Assignee: **Dee Thomas Fishing LLC**, Palo Alto, CA (US)

(**) Term: **14 Years**

(21) Appl. No.: **29/408,241**

(22) Filed: **Dec. 8, 2011**

(51) **LOC (9) Cl.** **22-05**

(52) **U.S. Cl.** **D22/143**

(58) **Field of Classification Search** D22/143,
D22/137-142; 43/24; 242/157 R
See application file for complete search history.

(56) **References Cited**

U.S. PATENT DOCUMENTS

D141,643	S	*	6/1945	Sarkisian	D22/143
2,398,862	A	*	4/1946	Sarkisian	43/24
2,721,412	A	*	10/1955	Smiley	43/24
2,775,054	A	*	12/1956	Shinbane	43/24
2,778,141	A	*	1/1957	Haas	43/24
3,060,618	A	*	10/1962	Grishkin	43/24
3,099,889	A	*	8/1963	Verneuil	43/24
D223,662	S	*	5/1972	Coalson	D22/143
4,070,785	A	*	1/1978	Hawk	43/24

* cited by examiner

Primary Examiner — Catheri Oliver

(74) *Attorney, Agent, or Firm* — Richard T. Ogawa; Ogawa P.C.

(57) **CLAIM**

The ornamental design for low profile snag-less fishing rod guide design, as shown and described.

DESCRIPTION

FIG. 1 is a perspective view of a fishing rod guide showing an embodiment of my new design;

FIG. 2 is a perspective view of multiple fishing rod guides on a fishing rod as background for the fishing rod guide of FIG. 1;

FIG. 3 is a side view;

FIG. 4 is a second side view;

FIG. 5 is a bottom view;

FIG. 6 is a top view;

FIG. 7 is a first center view;

FIG. 8 is a second center view of the fishing rod guide of FIG. 1;

FIG. 9 is a perspective view of a fishing rod guide showing an embodiment of my new design;

FIG. 10 is a perspective view of multiple fishing rod guides on a fishing rod as background for the fishing rod guide of FIG. 1;

FIG. 11 is a side view;

FIG. 12 is a second side view;

FIG. 13 is a bottom view;

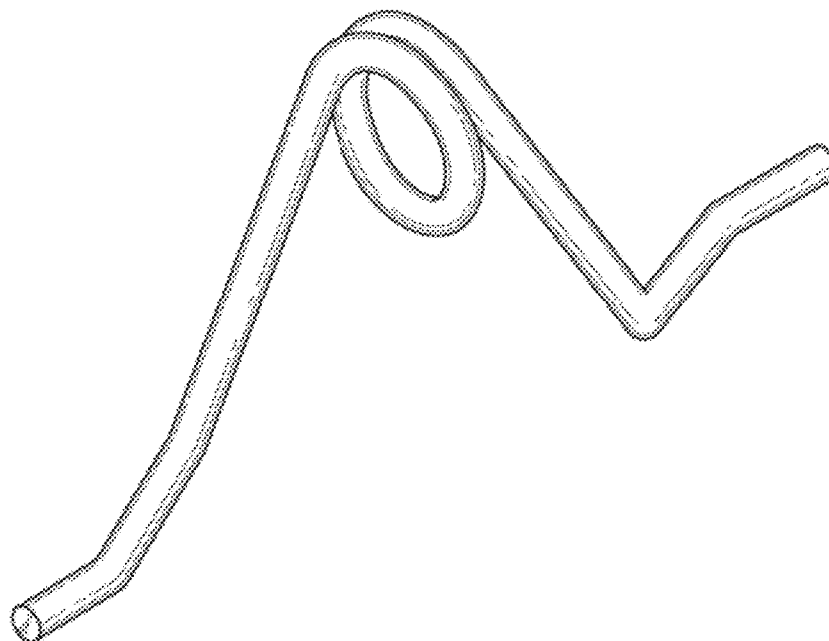
FIG. 14 is a top view;

FIG. 15 is a first center view; and,

FIG. 16 is a second center view of the fishing rod guide of FIG. 9.

The dashed lines are shown for illustrative purposes only and form no part of the claimed design.

1 Claim, 8 Drawing Sheets



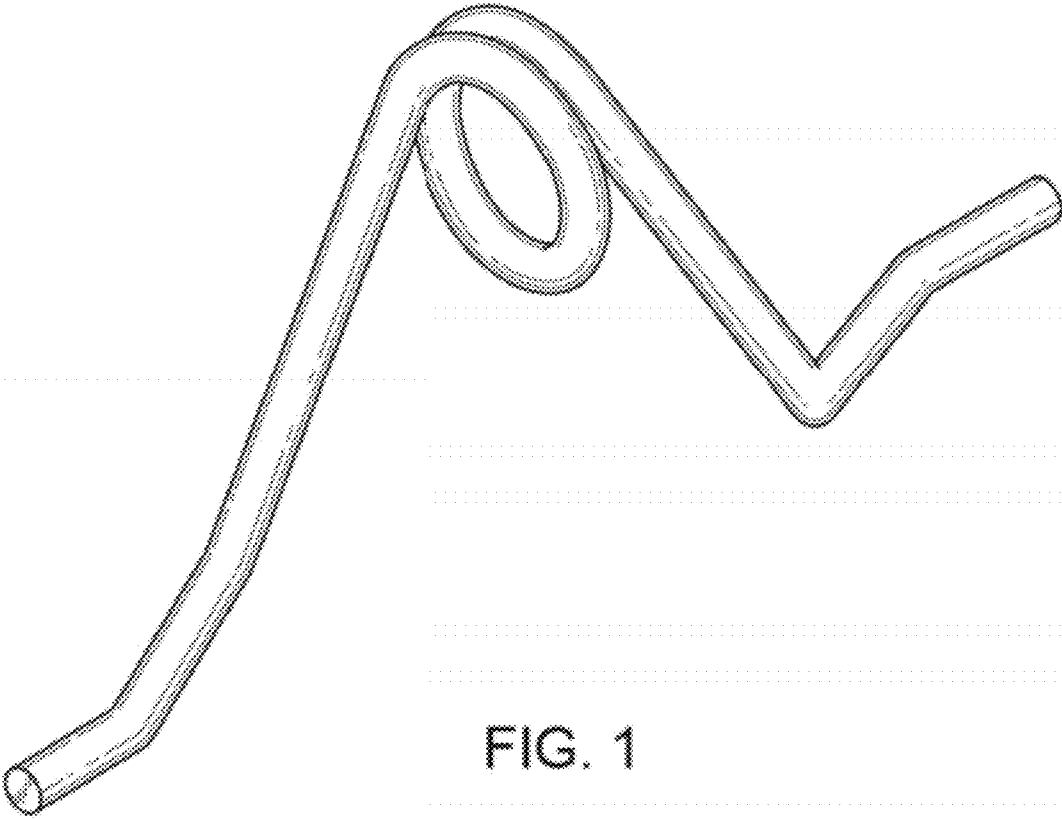


FIG. 1

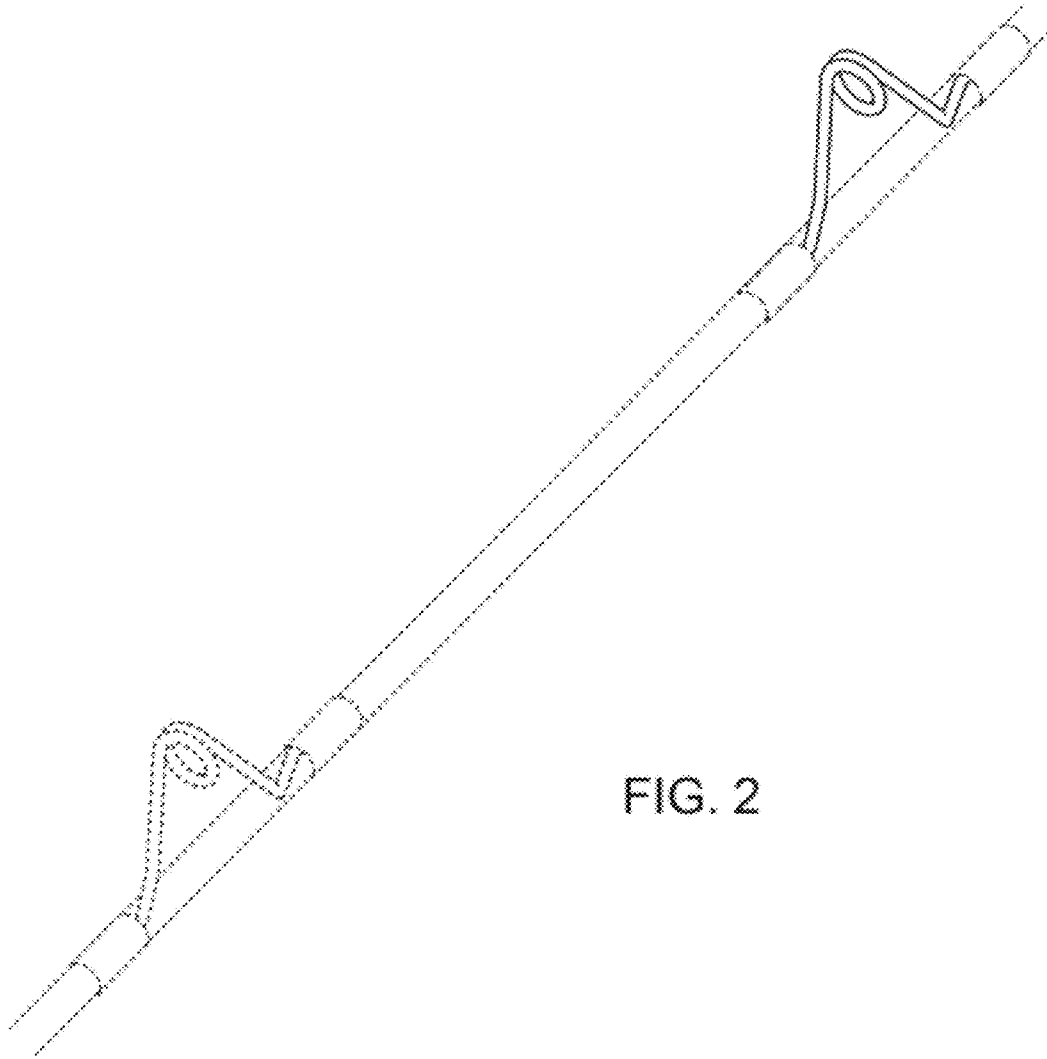


FIG. 2



FIG. 3

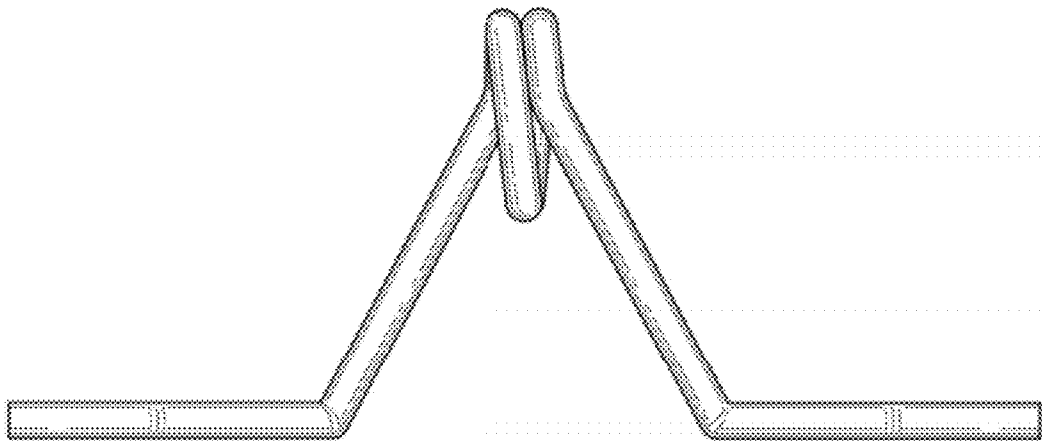


FIG. 4

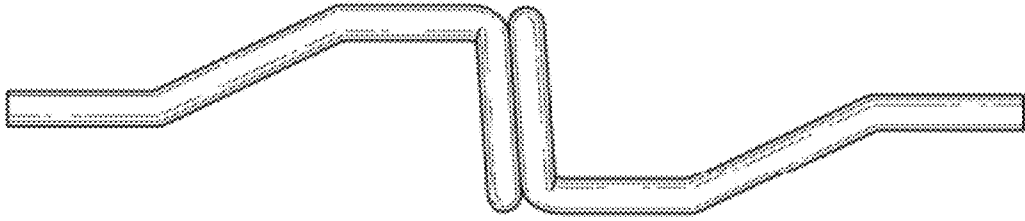


FIG. 5

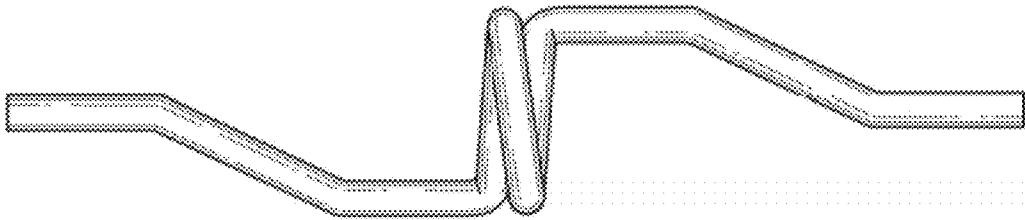


FIG. 6

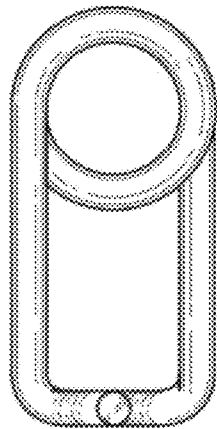


FIG. 7

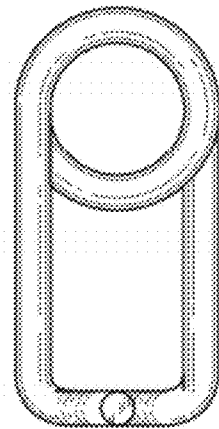


FIG. 8

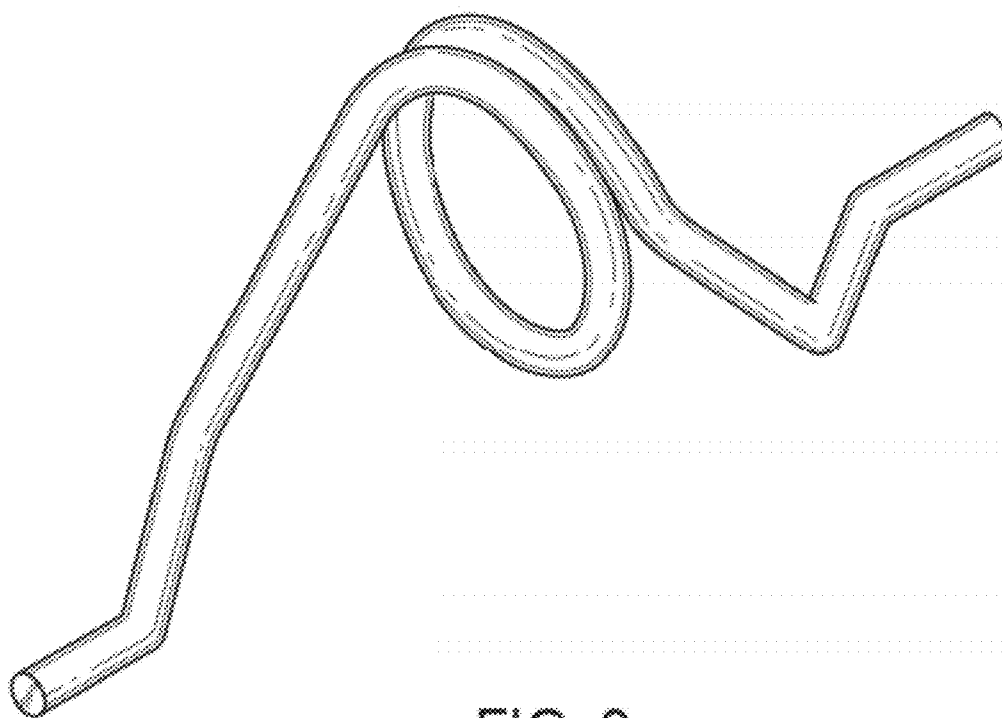


FIG. 9

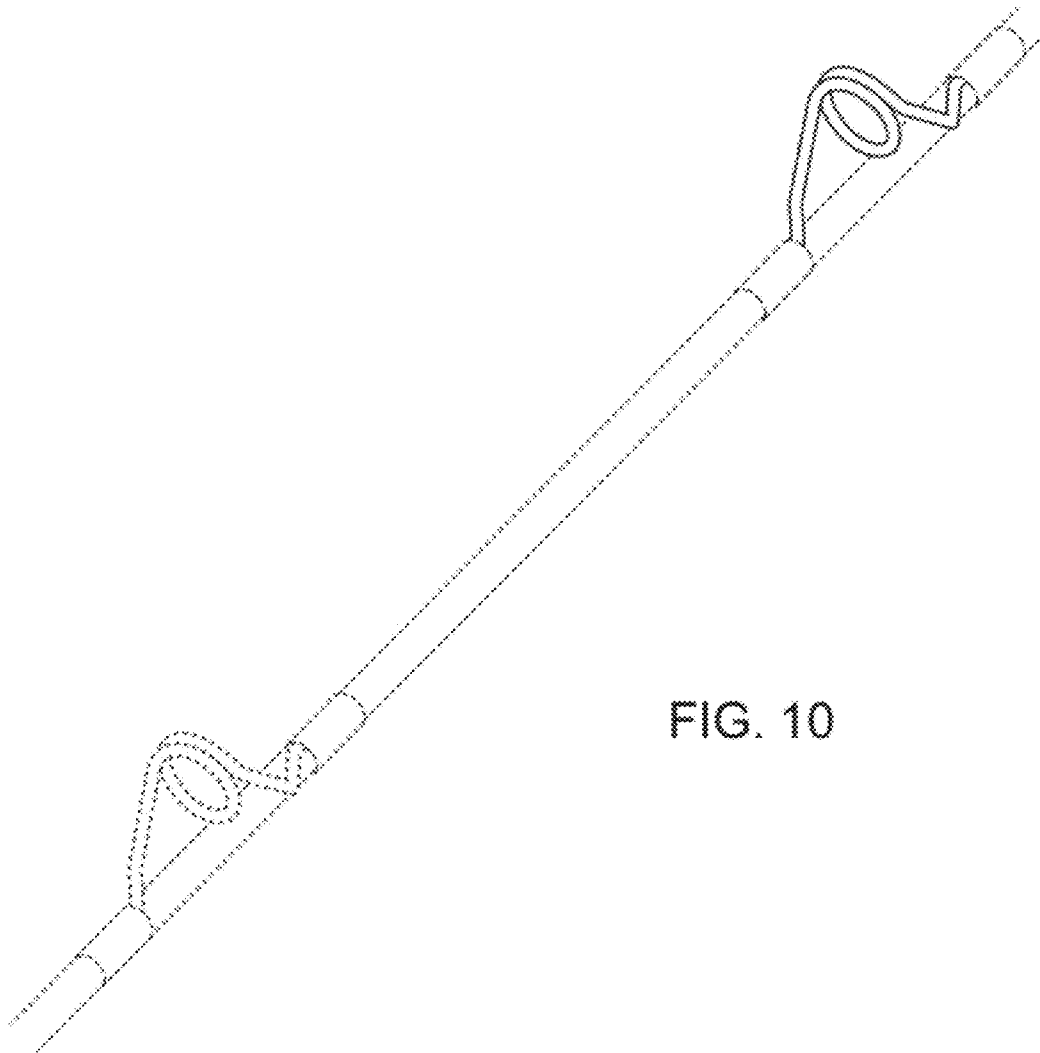


FIG. 10

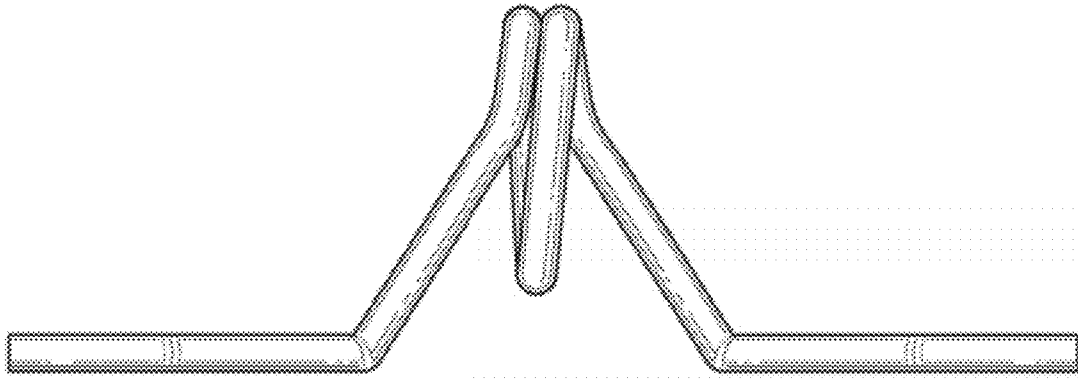


FIG. 11

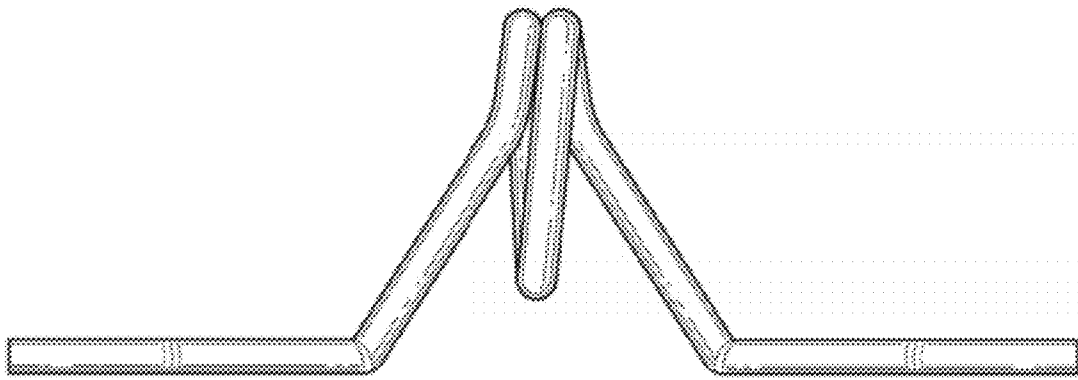


FIG. 12

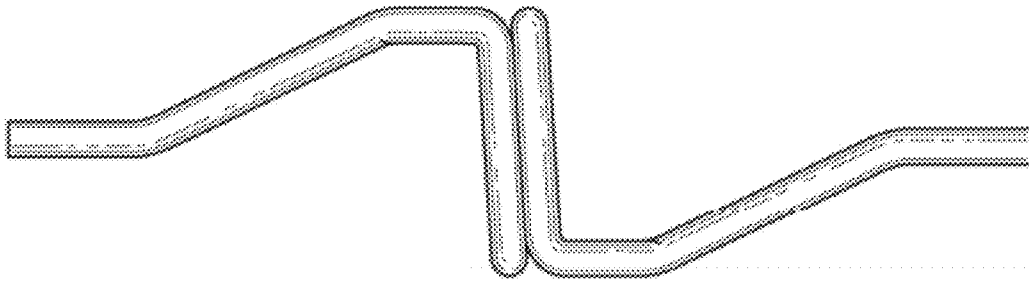


FIG. 13

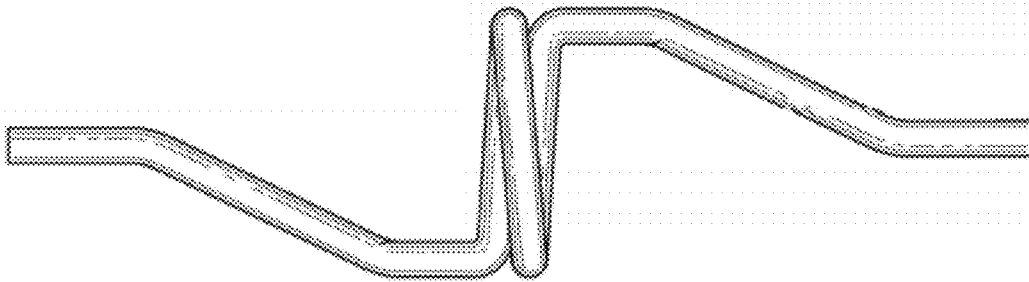


FIG. 14

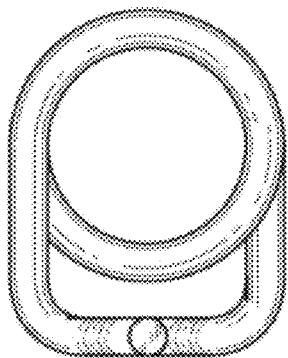


FIG. 15

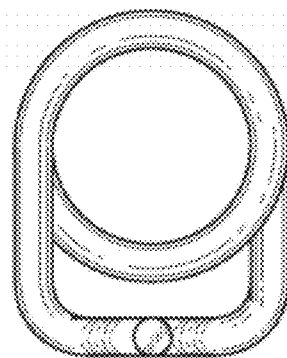


FIG. 16