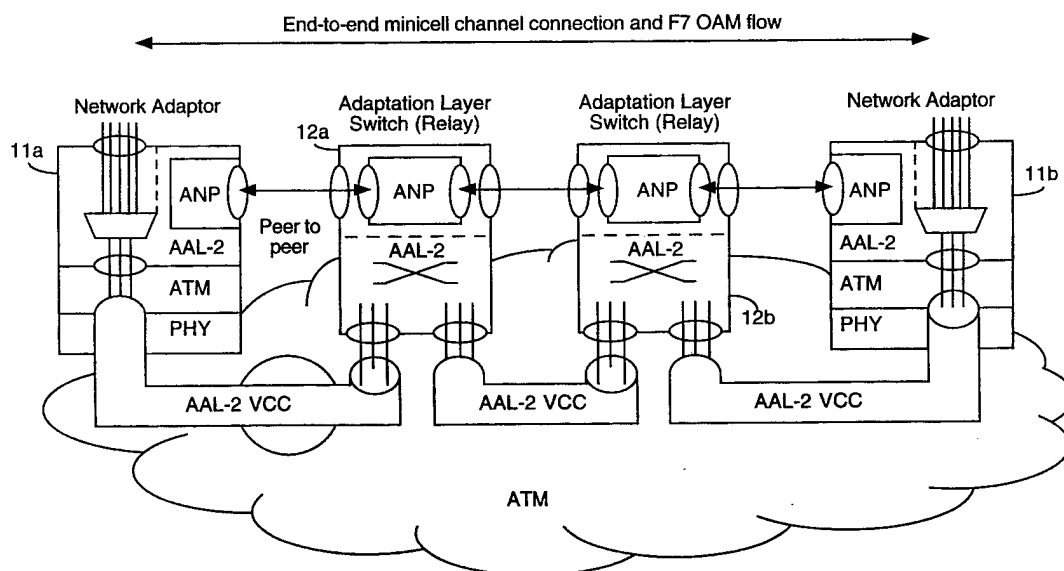




INTERNATIONAL APPLICATION PUBLISHED UNDER THE PATENT COOPERATION TREATY (PCT)

<p>(51) International Patent Classification ⁶ : H04Q 11/04, H04L 12/56</p>	<p>A3</p>	<p>(11) International Publication Number: WO 98/37664</p> <p>(43) International Publication Date: 27 August 1998 (27.08.98)</p>
<p>(21) International Application Number: PCT/GB98/00521</p> <p>(22) International Filing Date: 19 February 1998 (19.02.98)</p> <p>(30) Priority Data: 9703679.2 21 February 1997 (21.02.97) GB</p> <p>(71) Applicant (for all designated States except US): NORTHERN TELECOM LIMITED [CA/CA]; World Trade Center of Montreal, 8th floor, 380 St. Antoine Street West, Montreal, Quebec H2Y 3Y4 (CA).</p> <p>(72) Inventor; and (75) Inventor/Applicant (for US only): MAUGER, Roy, Harold [GB/GB]; 47 Beech Avenue, Radlett, Herts WD7 7DD (GB).</p> <p>(74) Agent: RYAN, John, Peter, William; Nortel Patents, London Road, Harlow, Essex CM17 9NA (GB).</p>		<p>(81) Designated States: JP, US, European patent (AT, BE, CH, DE, DK, ES, FI, FR, GB, GR, IE, IT, LU, MC, NL, PT, SE).</p> <p>Published <i>With international search report. Before the expiration of the time limit for amending the claims and to be republished in the event of the receipt of amendments.</i></p> <p>(88) Date of publication of the international search report: 19 November 1998 (19.11.98)</p>

(54) Title: MULTIMEDIA SWITCHING SYSTEM



(57) Abstract

A communications network is arranged to provide multimedia switched services comprising a set of media components. The set of media components including IP traffic is encapsulated in an ATM virtual circuit and is switched as an entity using a robust signalling system so that the resultant connection records can then be employed for usage based tariffing purposes. This overcomes the problem of establishing billing records for connectionless traffic carried over a connection oriented network.

FOR THE PURPOSES OF INFORMATION ONLY

Codes used to identify States party to the PCT on the front pages of pamphlets publishing international applications under the PCT.

AL	Albania	ES	Spain	LS	Lesotho	SI	Slovenia
AM	Armenia	FI	Finland	LT	Lithuania	SK	Slovakia
AT	Austria	FR	France	LU	Luxembourg	SN	Senegal
AU	Australia	GA	Gabon	LV	Latvia	SZ	Swaziland
AZ	Azerbaijan	GB	United Kingdom	MC	Monaco	TD	Chad
BA	Bosnia and Herzegovina	GE	Georgia	MD	Republic of Moldova	TG	Togo
BB	Barbados	GH	Ghana	MG	Madagascar	TJ	Tajikistan
BE	Belgium	GN	Guinea	MK	The former Yugoslav Republic of Macedonia	TM	Turkmenistan
BF	Burkina Faso	GR	Greece	ML	Mali	TR	Turkey
BG	Bulgaria	HU	Hungary	MN	Mongolia	TT	Trinidad and Tobago
BJ	Benin	IE	Ireland	MR	Mauritania	UA	Ukraine
BR	Brazil	IL	Israel	MW	Malawi	UG	Uganda
BY	Belarus	IS	Iceland	MX	Mexico	US	United States of America
CA	Canada	IT	Italy	NE	Niger	UZ	Uzbekistan
CF	Central African Republic	JP	Japan	NL	Netherlands	VN	Viet Nam
CG	Congo	KE	Kenya	NO	Norway	YU	Yugoslavia
CH	Switzerland	KG	Kyrgyzstan	NZ	New Zealand	ZW	Zimbabwe
CI	Côte d'Ivoire	KP	Democratic People's Republic of Korea	PL	Poland		
CM	Cameroon	KR	Republic of Korea	PT	Portugal		
CN	China	KZ	Kazakstan	RO	Romania		
CU	Cuba	LC	Saint Lucia	RU	Russian Federation		
CZ	Czech Republic	LI	Liechtenstein	SD	Sudan		
DE	Germany	LK	Sri Lanka	SE	Sweden		
DK	Denmark	LR	Liberia	SG	Singapore		
EE	Estonia						

INTERNATIONAL SEARCH REPORT

International Application No

PCT/GB 98/00521

A. CLASSIFICATION OF SUBJECT MATTER
 IPC 6 H04Q11/04 H04L12/56

According to International Patent Classification(IPC) or to both national classification and IPC

B. FIELDS SEARCHED

Minimum documentation searched (classification system followed by classification symbols)

IPC 6 H04Q H04L

Documentation searched other than minimum documentation to the extent that such documents are included in the fields searched

Electronic data base consulted during the international search (name of data base and, where practical, search terms used)

C. DOCUMENTS CONSIDERED TO BE RELEVANT

Category	Citation of document, with indication, where appropriate, of the relevant passages	Relevant to claim No.
X	FISCHER W ET AL: "NETZSYMBIOSE ZUM GEMEINSAMEN ERFOLG" TELCOM REPORT, vol. 19, no. 1, 1 January 1996, pages 35-38, XP000555966 see the whole document ---	1-10
X	ARMITAGE G J: "MULTICAST AND MULTIPROTOCOL SUPPORT FOR ATM BASED INTERNETS" COMPUTER COMMUNICATIONS REVIEW, vol. 25, no. 2, April 1995, pages 34-46, XP000670497 see sections 2, 5 and 6 ---	1-10
	-/--	

Further documents are listed in the continuation of box C.

Patent family members are listed in annex.

Special categories of cited documents :

- "A" document defining the general state of the art which is not considered to be of particular relevance
- "E" earlier document but published on or after the international filing date
- "L" document which may throw doubts on priority claim(s) or which is cited to establish the publication date of another citation or other special reason (as specified)
- "O" document referring to an oral disclosure, use, exhibition or other means
- "P" document published prior to the international filing date but later than the priority date claimed

- "T" later document published after the international filing date or priority date and not in conflict with the application but cited to understand the principle or theory underlying the invention
- "X" document of particular relevance; the claimed invention cannot be considered novel or cannot be considered to involve an inventive step when the document is taken alone
- "Y" document of particular relevance; the claimed invention cannot be considered to involve an inventive step when the document is combined with one or more other such documents, such combination being obvious to a person skilled in the art.
- "&" document member of the same patent family

Date of the actual completion of the international search

2 September 1998

Date of mailing of the international search report

21/09/1998

Name and mailing address of the ISA

European Patent Office, P.B. 5818 Patentlaan 2
 NL - 2280 HV Rijswijk
 Tel. (+31-70) 340-2040, Tx. 31 651 epo nl,
 Fax: (+31-70) 340-3016

Authorized officer

Lindner, A

INTERNATIONAL SEARCH REPORT

International Application No

PCT/GB 98/00521

C.(Continuation) DOCUMENTS CONSIDERED TO BE RELEVANT		
Category	Citation of document, with indication, where appropriate, of the relevant passages	Relevant to claim No.
X	"MPOA TIES IT ALL TOGETHER" DATA COMMUNICATIONS, vol. 25, no. 5, 1 April 1996, pages 120-124, 126, XP000582664 see the whole document ---	1-10
A	JOHNSSON M ET AL: "SUPPORT FOR LOW BITRATE APPLICATIONS IN ATM NETWORKS" PROCEEDINGS OF IFIP WORKSHOP ON PERFORMANCE MODELLING AND EVALUATION OF ATM NETWORKS, 3 June 1996, pages 39/1-39/14, XP002045906 see section 5 ---	1-10
A	SARAN H ET AL: "AN EMPIRICAL EVALUATION OF VIRTUAL CIRCUIT HOLDING TIMES IN IP -OVER-ATM NETWORKS" PROCEEDINGS OF THE CONFERENCE ON COMPUTER COMMUNICATIONS (INFOCOM), TORONTO, JUNE 12 - 16, 1994, vol. VOL. 3, 12 June 1994, pages 1132-1140, XP000496574 INSTITUTE OF ELECTRICAL AND ELECTRONICS ENGINEERS see sections 1 and 2 ---	1-10
Y	K TOYOIZUMI ET AL: PROCEEDINGS 1996 IEICE, vol. 2, September 1996, pages 690-691, XP002076266 Kanazawa, JP see figures 1,2 see page 690, left-hand column, line 1 - line 4 see page 690, left-hand column, line 37 - line 46 see page 691, left-hand column, line 9 - line 17 ---	1-10
Y	T. SAGARA: OPEN NETWORK, ASCII CORP., vol. 2, no. 2, 1 February 1997, pages 118-125, XP002076267 see page 125, middle column, line 13 - right-hand column ---	1-10
A	H. ESAKI: PROCEEDINGS SPIE, vol. 2608, October 1995, pages 44-52, XP002076268 see section 3.1 (p.46-47) see page 50, line 16 - line 19 ---	5,8-10
E	US 5 764 645 A (BERNET YORAM ET AL) 9 June 1998 see column 4, line 36 - line 54 see column 5, line 45 - column 7, line 44 ---	1-10
	--- -/--	

INTERNATIONAL SEARCH REPORT

International Application No

PCT/GB 98/00521

C.(Continuation) DOCUMENTS CONSIDERED TO BE RELEVANT

Category °	Citation of document, with indication, where appropriate, of the relevant passages	Relevant to claim No.
A	US 5 440 551 A (SUZUKI HIROSHI) 8 August 1995 see abstract; claims 1-3 -----	1-10
A	US 5 594 732 A (BELL ROBERT T ET AL) 14 January 1997 see abstract; claims 1,41,51 -----	1-10

INTERNATIONAL SEARCH REPORT

Information on patent family members

International Application No

PCT/GB 98/00521

Patent document cited in search report	Publication date	Patent family member(s)	Publication date
US 5764645 A	09-06-1998	NONE	
US 5440551 A	08-08-1995	JP 2062930 C	24-06-1996
		JP 6205038 A	22-07-1994
		JP 7063161 B	05-07-1995
		CA 2112710 A	06-07-1994
		EP 0606837 A	20-07-1994
US 5594732 A	14-01-1997	AU 5117496 A	23-09-1996
		WO 9627967 A	12-09-1996