



US00D972701S

(12) **United States Design Patent** (10) **Patent No.:** **US D972,701 S**
Lee (45) **Date of Patent:** **** Dec. 13, 2022**

(54) **AROMA DIFFUSER**

(56) **References Cited**

(71) Applicant: **PUZHEN LIFE CO., LTD**, Hong Kong (HK)

U.S. PATENT DOCUMENTS

(72) Inventor: **Andy Lee**, Hong Kong (HK)

D812,209 S *	3/2018	Farone	D23/355
D829,313 S *	9/2018	Cho	D23/364
D829,689 S *	10/2018	Kim	D14/216
D864,150 S *	10/2019	Kim	D14/204
D865,931 S *	11/2019	Ha	D23/356
D865,932 S *	11/2019	Ha	D23/356
D888,919 S *	6/2020	Riering-Czekalla	D23/364
D925,719 S *	7/2021	Lee	D23/366
D936,196 S *	11/2021	Xu	D23/356

(73) Assignee: **PUZHEN LIFE CO., LTD**, Hong Kong (HK)

(**) Term: **15 Years**

* cited by examiner

(21) Appl. No.: **29/759,078**

Primary Examiner — Gino Colan
Assistant Examiner — David OBrien

(22) Filed: **Nov. 19, 2020**

(30) **Foreign Application Priority Data**

(57) **CLAIM**

Jun. 10, 2020 (HK) 2016311.1

The ornamental design for an aroma diffuser, as shown and described.

(51) **LOC (13) Cl.** **23-04**

DESCRIPTION

(52) **U.S. Cl.**
USPC **D23/366**

(58) **Field of Classification Search**
USPC D23/205, 332, 333, 351-369; D7/300.1, D7/506, 510, 532; D11/143, 146; D14/188, 194, 195, 197, 203.2, 203.6, D14/204, 209, 213, 215, 216, 221, 228, D14/496, 511; D32/30; D26/37, 40, 41, D26/49, 124, 128, 137; D24/231; D29/126

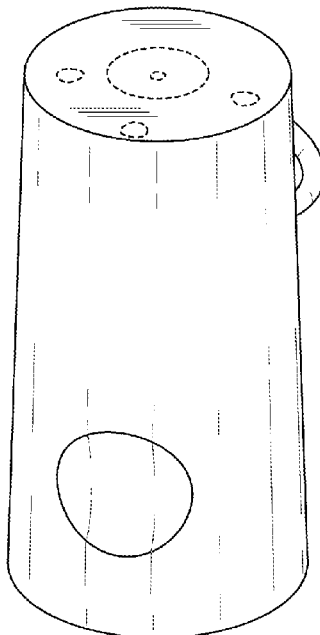
CPC F24F 6/02; F24F 6/12; A61L 9/03; A61L 9/04; A61L 9/05; A61L 9/12; A61L 9/14; A61L 9/012; A61L 9/015; A61L 9/048; A61L 9/127; A61L 2209/133; Y10S 261/88; Y10S 261/89; A47G 7/06

See application file for complete search history.

FIG. 1 is a front elevational view of an aroma diffuser showing my new design;
FIG. 2 is a rear elevational view thereof;
FIG. 3 is a left side view thereof;
FIG. 4 is a right side view thereof;
FIG. 5 is a top plan view thereof;
FIG. 6 is a bottom plan view thereof;
FIG. 7 is a top and front perspective view thereof;
FIG. 8 is a bottom and rear perspective view thereof;
FIG. 9 is a top, front and right side perspective view thereof; and,
FIG. 10 is a bottom, rear and left side perspective view thereof.

The broken lines in the drawings illustrate portions of the aroma diffuser which form no part of the claimed design.

1 Claim, 10 Drawing Sheets



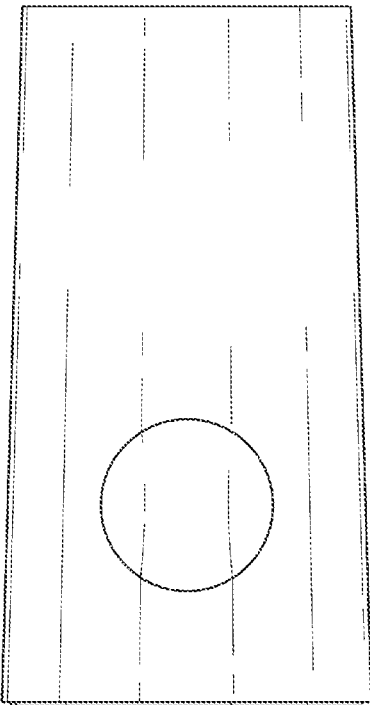


FIG. 1

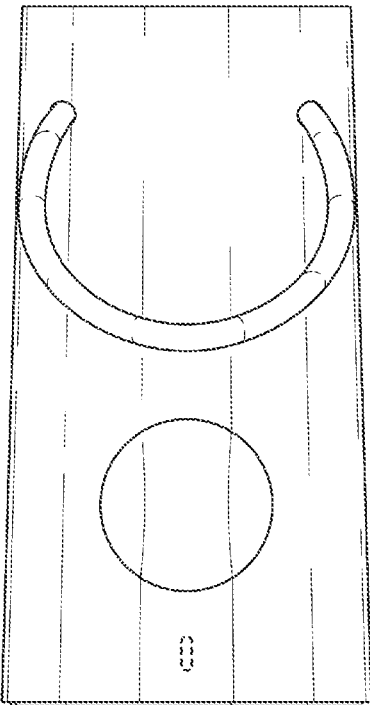


FIG. 2

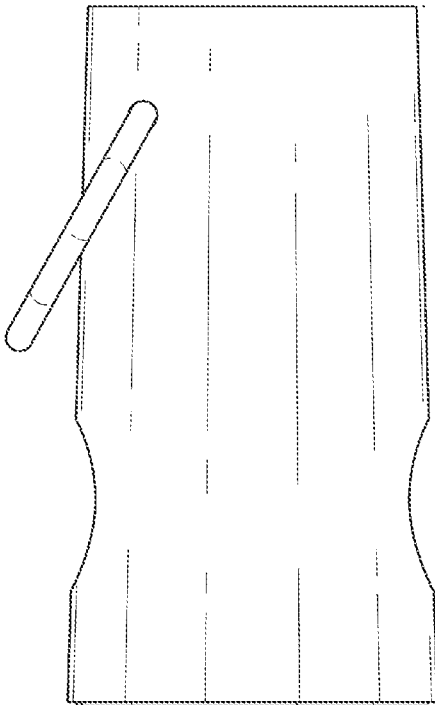


FIG. 3

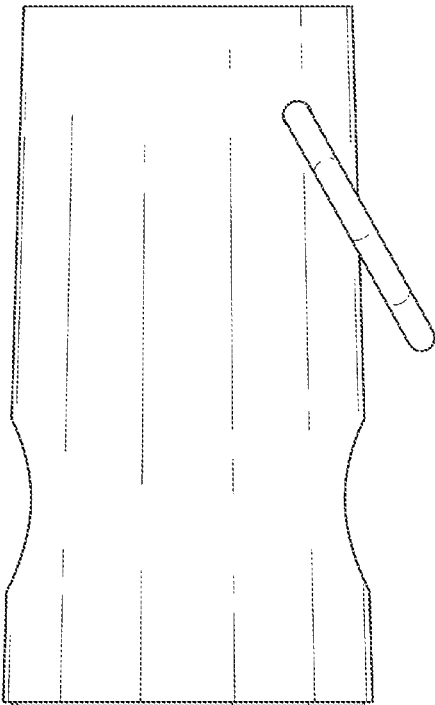


FIG. 4

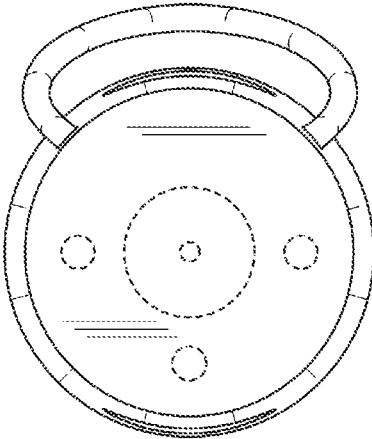


FIG. 5

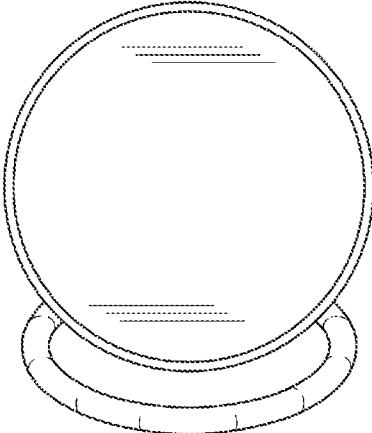


FIG. 6

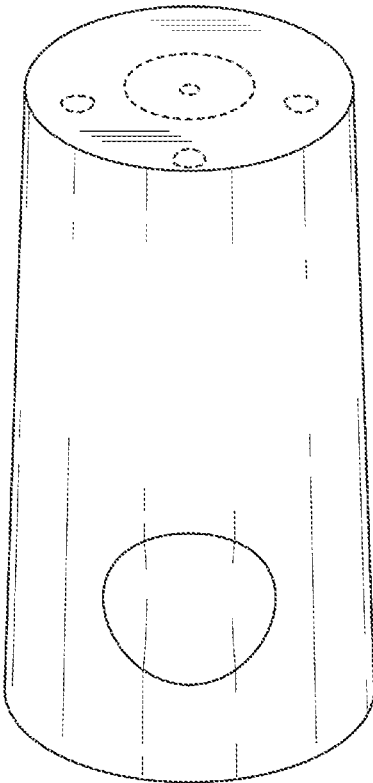


FIG. 7

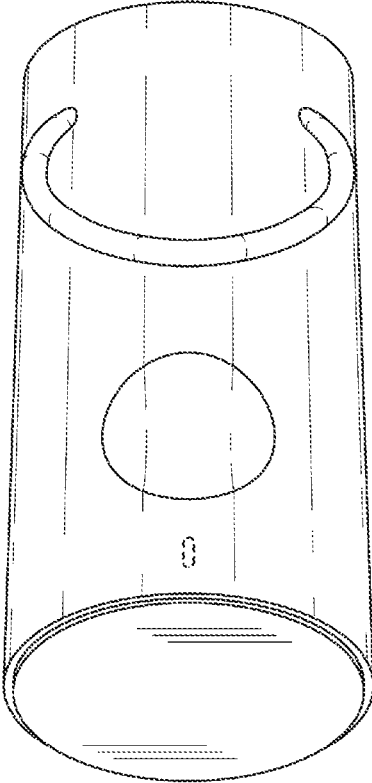


FIG. 8

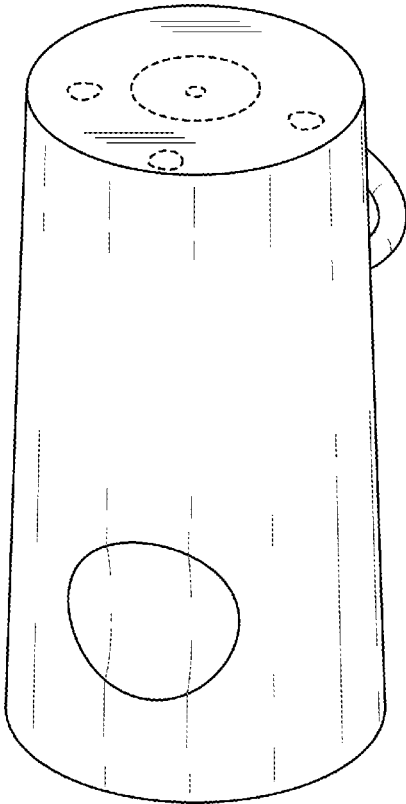


FIG. 9

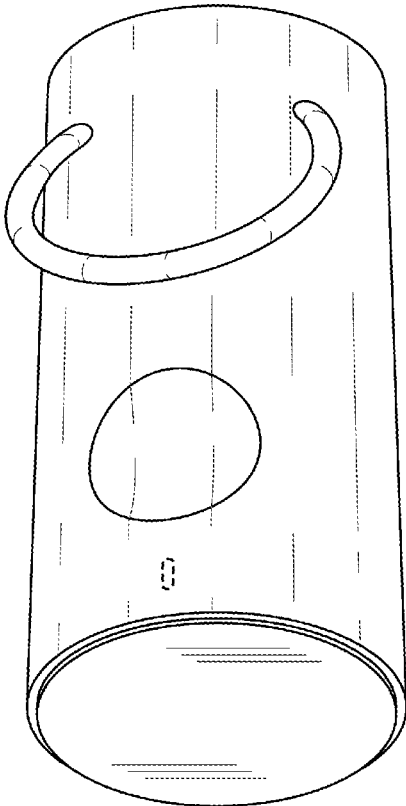


FIG. 10