



US00D719977S

(12) **United States Design Patent**  
**Aketa et al.**

(10) **Patent No.:** **US D719,977 S**

(45) **Date of Patent:** **\*\* Dec. 23, 2014**

(54) **INTERNAL COMBUSTION ENGINE**

(75) Inventors: **Masahiro Aketa**, Sakai (JP); **Wataru Iwanaga**, Sakai (JP); **Yuzo Umeda**, Sakai (JP); **Hiroyuki Anami**, Sakai (JP)

(73) Assignee: **KUBOTA Corporation**, Osaka-shi, Osaka (JP)

(\*\*) Term: **14 Years**

(21) Appl. No.: **29/404,376**

(22) Filed: **Oct. 20, 2011**

**Related U.S. Application Data**

(62) Division of application No. 29/363,604, filed on Jun. 11, 2010, now Pat. No. Des. 649,978, which is a

(Continued)

(30) **Foreign Application Priority Data**

Aug. 6, 2002	(JP)	.....	2002-020941
Aug. 6, 2002	(JP)	.....	2002-020945
Aug. 6, 2002	(JP)	.....	2002-020946
Aug. 6, 2002	(JP)	.....	2002-020947
Aug. 6, 2002	(JP)	.....	2002-020948
Aug. 6, 2002	(JP)	.....	2002-020949
Aug. 6, 2002	(JP)	.....	2002-020954
Aug. 6, 2002	(JP)	.....	2002-020955
Aug. 6, 2002	(JP)	.....	2002-020956
Aug. 6, 2002	(JP)	.....	2002-020957
Aug. 6, 2002	(JP)	.....	2002-020958
Aug. 6, 2002	(JP)	.....	2002-020959
Aug. 6, 2002	(JP)	.....	2002-020960
Aug. 6, 2002	(JP)	.....	2002-020961
Aug. 6, 2002	(JP)	.....	2002-020962

(51) **LOC (10) Cl.** ..... **15-01**

(52) **U.S. Cl.**  
USPC ..... **D15/5**

(58) **Field of Classification Search**

USPC ..... D15/1, 2, 3, 5, 6, 14, 17, 149; 123/22, 123/41, 34, 51 A, 606 R, 52.1, 50 A, 50 B, 123/54.1, 54.2, 54.4, 54.5, 65 R, 195 R, 657, 123/311

See application file for complete search history.

(56) **References Cited**

**U.S. PATENT DOCUMENTS**

D275,198 S 8/1984 Yokota et al.  
D280,200 S 8/1985 Iwakura et al.

(Continued)

**OTHER PUBLICATIONS**

Office Action issued Jan. 3, 2006 in U.S. Appl. No. 29/213,548.

(Continued)

*Primary Examiner* — T. Chase Nelson

*Assistant Examiner* — Ania Aman

(74) *Attorney, Agent, or Firm* — Panitch Schwarze Belisario & Nadel LLP

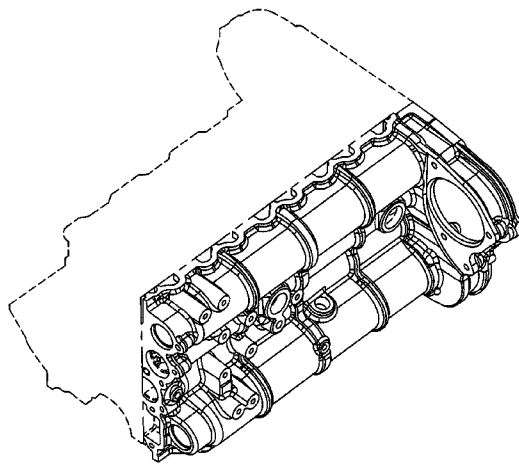
(57) **CLAIM**

The ornamental design for an internal combustion engine, as shown and described.

**DESCRIPTION**

FIG. 1 is a rear, right side perspective view of an internal combustion engine in accordance with our new design;  
 FIG. 2 is a front, left side perspective of the internal combustion engine of FIG. 1;  
 FIG. 3 is a rear, left side perspective view of the internal combustion engine of FIG. 1;  
 FIG. 4 is a front elevational view of the internal combustion engine of FIG. 1;  
 FIG. 5 is a right side elevational view of the internal combustion engine of FIG. 1;  
 FIG. 6 is a top view of the internal combustion engine of FIG. 1;  
 FIG. 7 is a left side elevational view of the internal combustion engine of FIG. 1;  
 FIG. 8 is a rear elevational view of the internal combustion engine of FIG. 1; and,  
 FIG. 9 is a cross-sectional view of the internal combustion engine of FIG. 4 taken along the line B-B of FIG. 4.  
 The broken lines in the figures are for illustrative purposes only and form no part of the claimed design.

**1 Claim, 9 Drawing Sheets**



**Related U.S. Application Data**

division of application No. 29/247,662, filed on Jun. 30, 2006, now Pat. No. Des. 619,149, which is a division of application No. 29/213,548, filed on Sep. 20, 2004, now Pat. No. Des. 529,513, which is a division of application No. 29/197,379, filed on Jan. 14, 2004, now Pat. No. Des. 499,741, which is a division of application No. 29/175,206, filed on Jan. 31, 2003, now Pat. No. Des. 494,191.

(56)

**References Cited**

**U.S. PATENT DOCUMENTS**

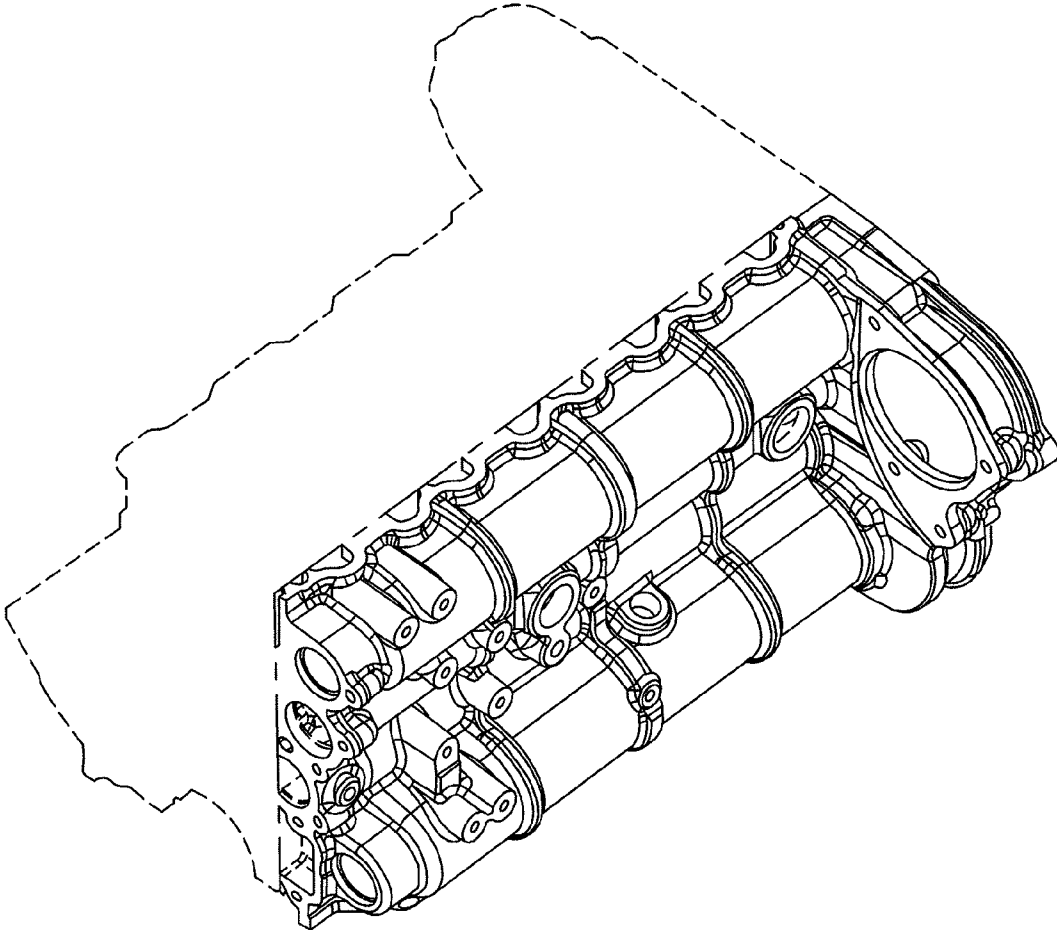
D282,071 S	1/1986	Nakamura
D293,114 S	12/1987	Brogdon
D309,457 S	7/1990	Eifert et al.
D309,458 S	7/1990	Johnson et al.
D330,897 S	11/1992	Carlson et al.
5,740,774 A	4/1998	Kennedy
D398,010 S	9/1998	Yoshida et al.
D401,596 S	11/1998	Yukami

D406,146 S	2/1999	Kobayashi	
D444,478 S	7/2001	Shimizu	
D449,620 S	10/2001	Feuling	
D453,522 S	2/2002	Maeda et al.	
D457,891 S	5/2002	Matre	
6,382,174 B1	5/2002	Nezu et al.	
D465,498 S	11/2002	Geffert	
D466,906 S	12/2002	Francis	
D468,687 S	1/2003	Hamada et al.	
6,612,275 B2	9/2003	Immel et al.	
D482,045 S	11/2003	Iwata et al.	
D489,076 S	4/2004	Hiraiwa et al.	
D491,192 S	6/2004	Davis	
D493,806 S	8/2004	Csiki	
D494,191 S	8/2004	Aketa et al.	
D499,741 S	12/2004	Aketa et al.	
D529,513 S	10/2006	Aketa et al.	
D685,819 S *	7/2013	Hataura et al. ....	D15/1
D685,820 S *	7/2013	Okuda et al. ....	D15/3

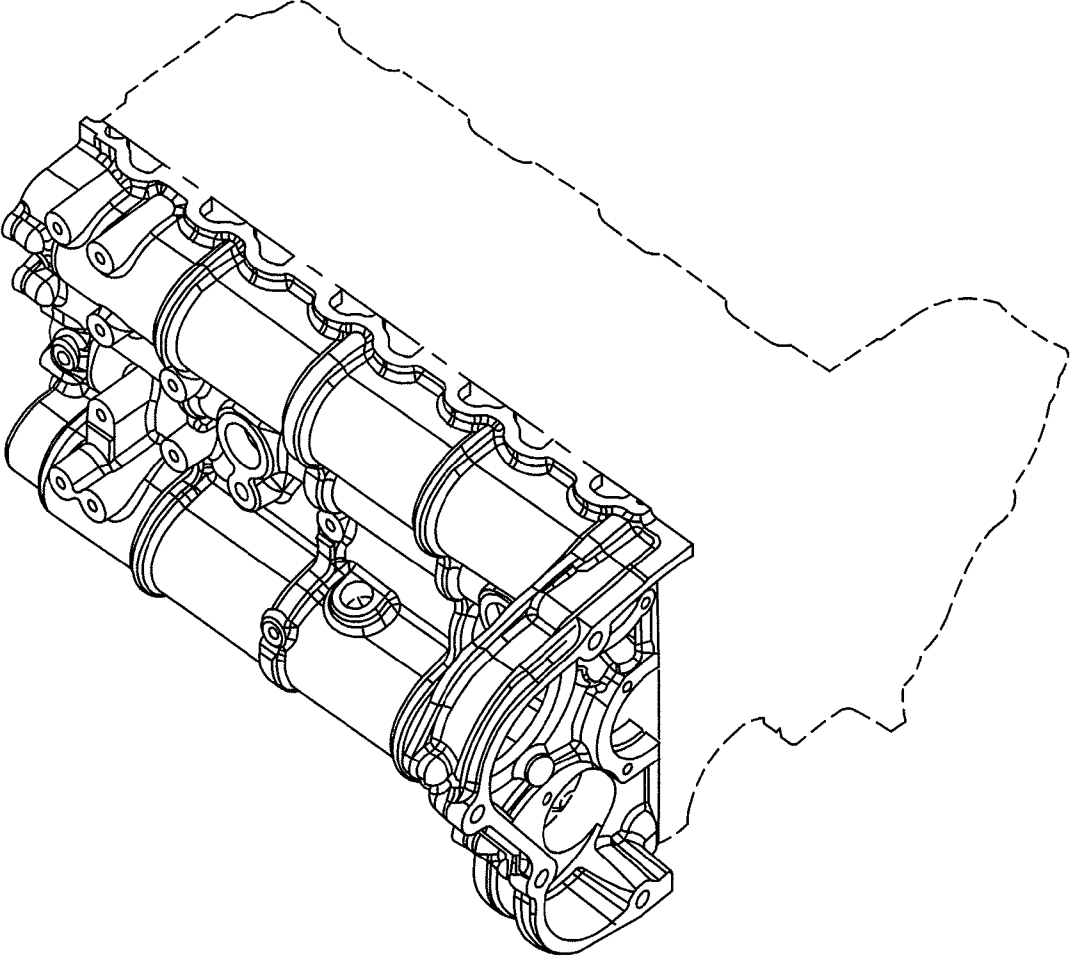
**OTHER PUBLICATIONS**

Office Action issued Oct. 28, 2010 in U.S. Appl. No. 29/363,604.

\* cited by examiner



*Fig. 1*



*Fig. 2*

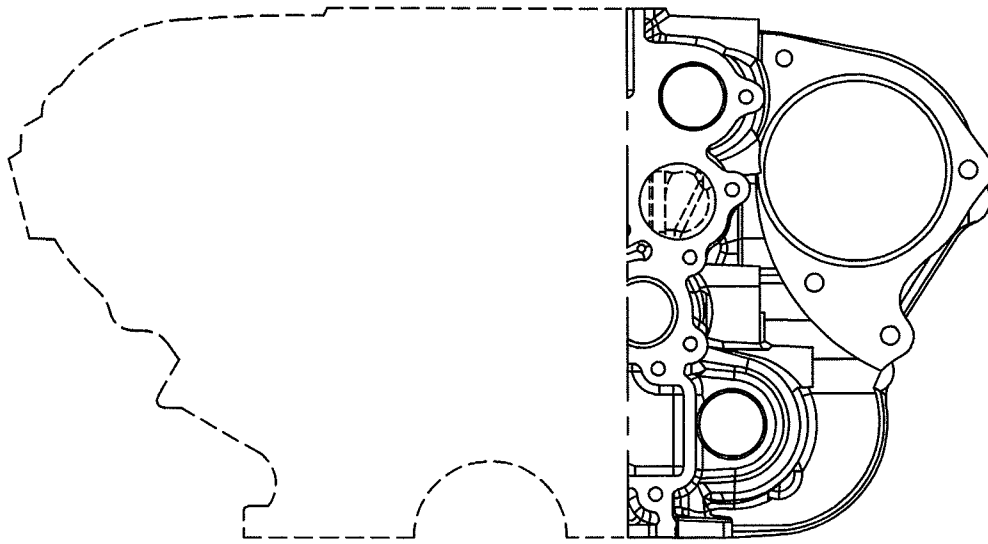


Fig. 3

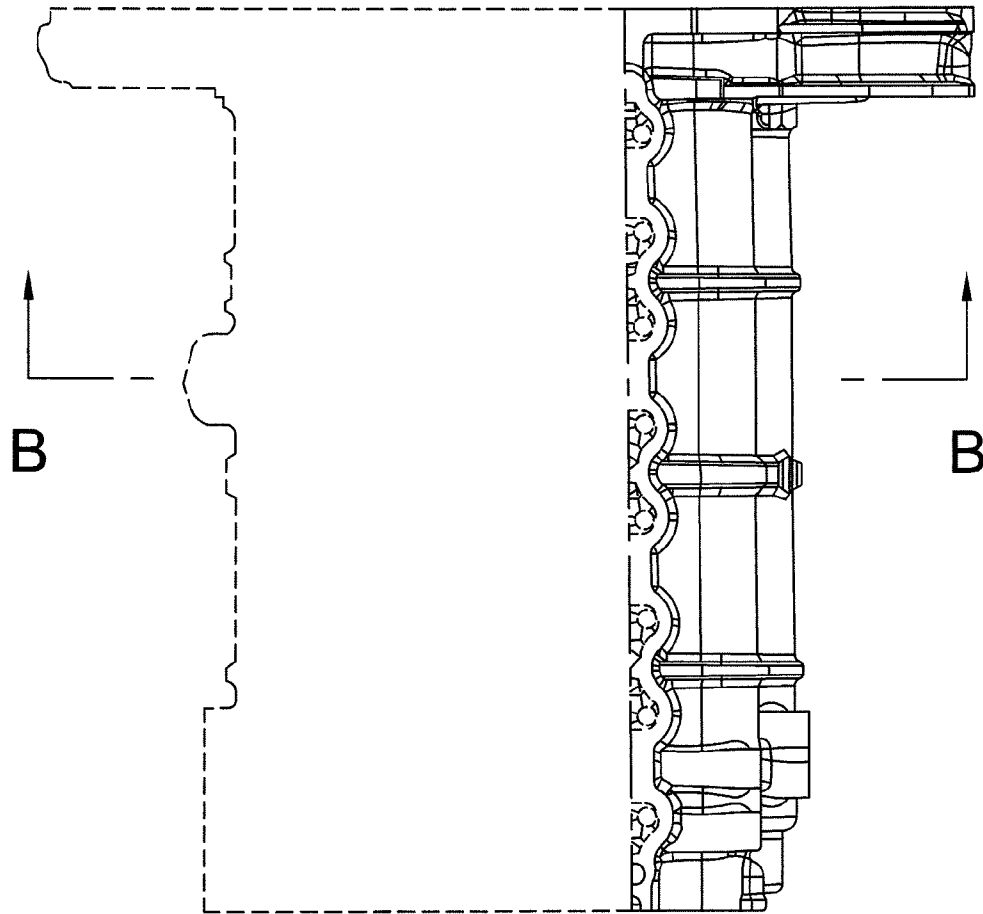


Fig. 4

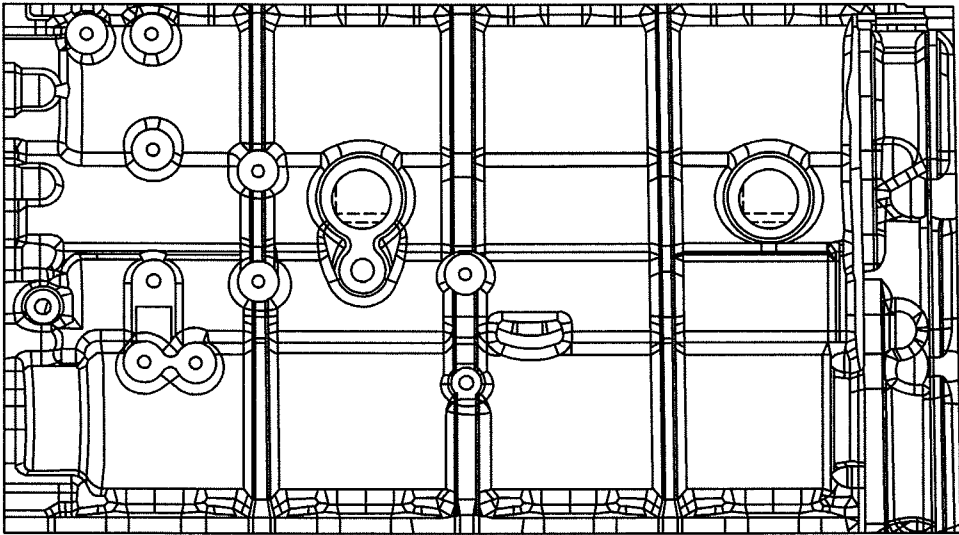


Fig. 5

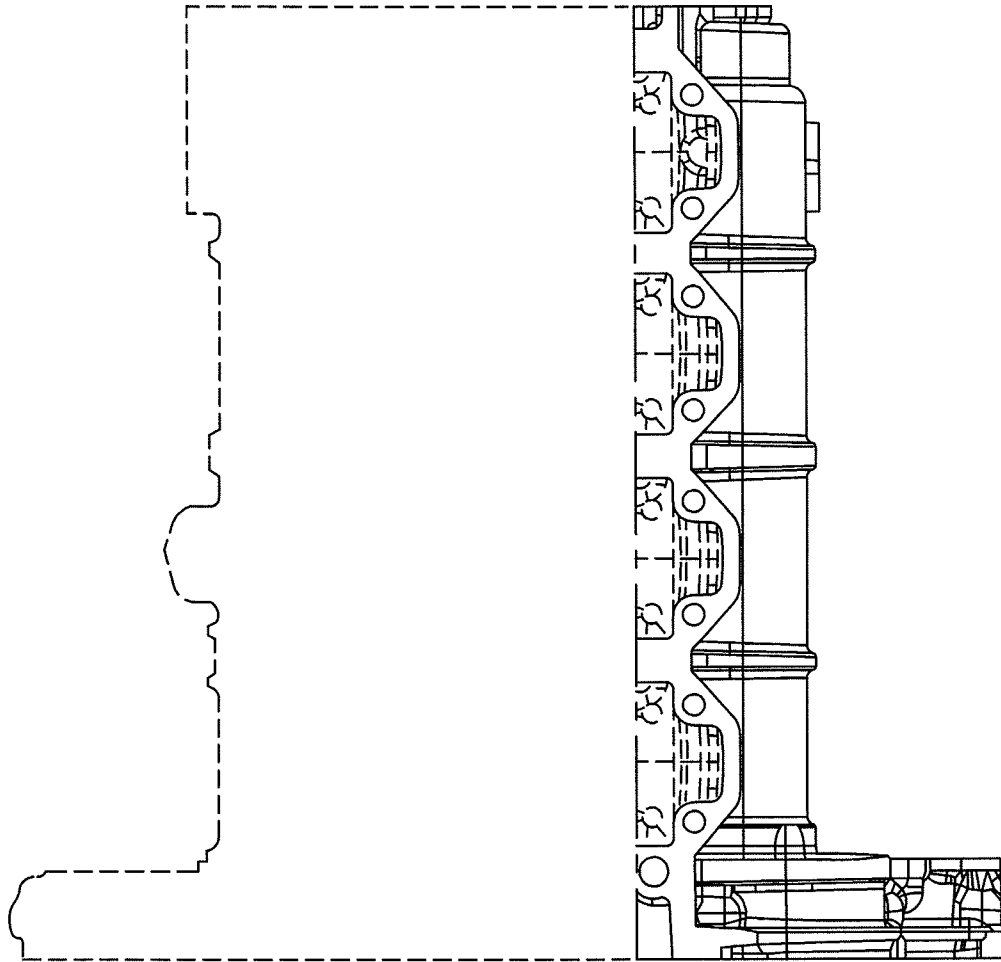


Fig. 6

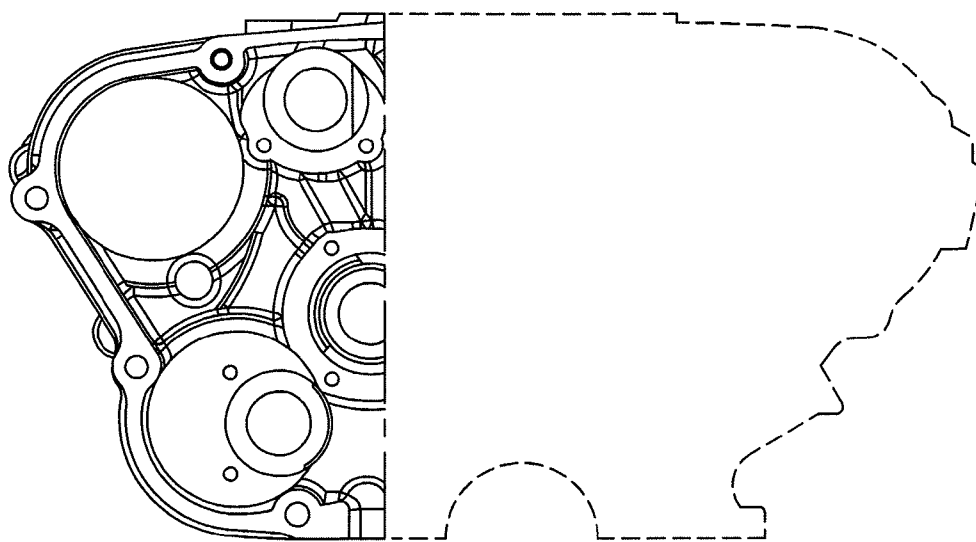


Fig. 7



Fig. 8

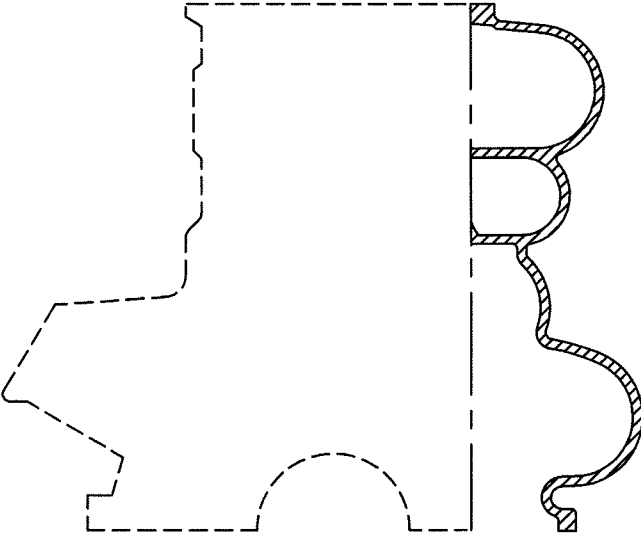


Fig. 9