

(19) World Intellectual Property
Organization
International Bureau



(43) International Publication Date
29 January 2004 (29.01.2004)

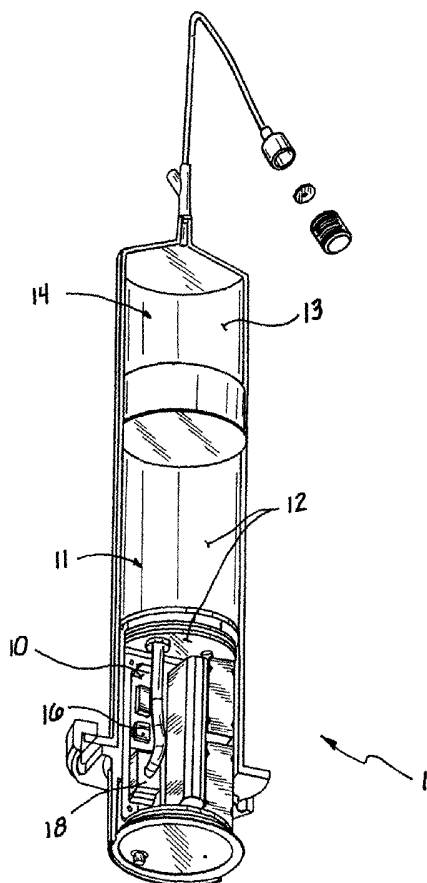
PCT

(10) International Publication Number
WO 2004/009152 A3

- (51) International Patent Classification⁷: **A61M 37/00**
- (21) International Application Number:
PCT/US2003/022703
- (22) International Filing Date: 15 July 2003 (15.07.2003)
- (25) Filing Language: English
- (26) Publication Language: English
- (30) Priority Data:
10/200,109 19 July 2002 (19.07.2002) US
- (71) Applicant: **CONCEPT FOUNDRY, LLC.** [US/US];
31682 Via Patito, Coto de Caza, CA 92769 (US).
- (72) Inventor: **MALLET, Scott;** 31682 Via Patito, Coto de Caza, CA 92769 (US).
- (74) Agent: **STOUT, Donald, E.;** Stout, Uxa, Buyan & Mullins, 4 Venture, Suite 300, Irvine, CA 92618 (US).
- (81) Designated States (*national*): AE, AG, AL, AM, AT, AU, AZ, BA, BB, BG, BR, BY, BZ, CA, CH, CN, CO, CR, CU, CZ, DE, DK, DM, DZ, EC, EE, ES, FI, GB, GD, GE, GH, GM, HR, HU, ID, IL, IN, IS, JP, KE, KG, KP, KR, KZ, LC, LK, LR, LS, LT, LU, LV, MA, MD, MG, MK, MN, MW, MX, MZ, NI, NO, NZ, OM, PG, PH, PL, PT, RO, RU, SC, SD, SE, SG, SK, SL, SY, TJ, TM, TN, TR, TT, TZ, UA, UG, UZ, VC, VN, YU, ZA, ZM, ZW.
- (84) Designated States (*regional*): ARIPO patent (GH, GM, KE, LS, MW, MZ, SD, SL, SZ, TZ, UG, ZM, ZW), Eurasian patent (AM, AZ, BY, KG, KZ, MD, RU, TJ, TM), European patent (AT, BE, BG, CH, CY, CZ, DE, DK, EE, ES, FI, FR, GB, GR, HU, IE, IT, LU, MC, NL, PT, RO, SE, SI, SK, TR), OAPI patent (BF, BJ, CF, CG, CI, CM, GA, GN, GQ, GW, ML, MR, NE, SN, TD, TG).
- Published:**
— with international search report

[Continued on next page]

(54) Title: INFUSION PUMP AND METHOD FOR USE



(57) Abstract: A fluid dispensing system provides a non-contact method of monitoring the change in the fluid volume over time. This approach avoids the use of probes or sensors that come into direct contact with the fluid to be dispensed. The system (1) comprises an apparatus comprising three chambers (10, 11, 14). The first chamber (10) has a fixed volume and contains a pressurized gas. A solenoid valve is used to control the flow of gas from the first chamber (10) into the second (11). The second chamber (11) is sealed so that the combined mass of air in the first (10) and second (11) chambers remains fixed. The third chamber (14) is adjacent to the second (11) and contains medication in the form of incompressible fluid that is to be administered to a human or animal subject via a suitable delivery port.

WO 2004/009152 A3



— *before the expiration of the time limit for amending the claims and to be republished in the event of receipt of amendments*

For two-letter codes and other abbreviations, refer to the "Guidance Notes on Codes and Abbreviations" appearing at the beginning of each regular issue of the PCT Gazette.

(88) Date of publication of the international search report:

4 November 2004

INTERNATIONAL SEARCH REPORT

International application No.

PCT/US03/22703

A. CLASSIFICATION OF SUBJECT MATTER
 IPC(7) : A61M 37/00
 US CL : 604/141
 According to International Patent Classification (IPC) or to both national classification and IPC

B. FIELDS SEARCHED
 Minimum documentation searched (classification system followed by classification symbols)
 U.S. : 604/141, 150, 151, 156, 218, 235, 892.1, 131, 140

Documentation searched other than minimum documentation to the extent that such documents are included in the fields searched

Electronic data base consulted during the international search (name of data base and, where practicable, search terms used)

C. DOCUMENTS CONSIDERED TO BE RELEVANT

Category *	Citation of document, with indication, where appropriate, of the relevant passages	Relevant to claim No.
A	US 4,969,884 A (YUM) 13 November 1990 (13.11.1990), See entire patent.	1-30
A	US 3,894,538 A (RICHTER) 15 July 1975 (15.07.1975), See entire patent.	1-30

Further documents are listed in the continuation of Box C. See patent family annex.

* Special categories of cited documents:	"T" later document published after the international filing date or priority date and not in conflict with the application but cited to understand the principle or theory underlying the invention
"A" document defining the general state of the art which is not considered to be of particular relevance	"X" document of particular relevance; the claimed invention cannot be considered novel or cannot be considered to involve an inventive step when the document is taken alone
"E" earlier application or patent published on or after the international filing date	"Y" document of particular relevance; the claimed invention cannot be considered to involve an inventive step when the document is combined with one or more other such documents, such combination being obvious to a person skilled in the art
"L" document which may throw doubts on priority claim(s) or which is cited to establish the publication date of another citation or other special reason (as specified)	"&" document member of the same patent family
"O" document referring to an oral disclosure, use, exhibition or other means	
"P" document published prior to the international filing date but later than the priority date claimed	

Date of the actual completion of the international search: 23 August 2004 (23.08.2004)
 Date of mailing of the international search report: 10 SEP 2004

Name and mailing address of the ISA/US:
 Mail Stop PCT, Attn: ISA/US
 Commissioner for Patents
 P.O. Box 1450
 Alexandria, Virginia 22313-1450
 Facsimile No. (703)305-3230

Authorized officer: Manuel Mendez
 Telephone No. 703-308-2221