



US00D559643S

(12) **United States Design Patent**
Wright

(10) **Patent No.:** **US D559,643 S**

(45) **Date of Patent:** **** Jan. 15, 2008**

(54) **HANDLE FOR A SAW**

(75) Inventor: **Stuart J. Wright**, Timonium, MD (US)

(73) Assignee: **Black & Decker Inc.**, Newark, DE (US)

(**) Term: **14 Years**

(21) Appl. No.: **29/247,807**

(22) Filed: **Jul. 13, 2006**

D412,510 S *	8/1999	Chen	D15/133
D414,088 S *	9/1999	Juratovac et al.	D8/8
D415,942 S *	11/1999	Shibata et al.	D8/66
6,105,263 A *	8/2000	Stones et al.	30/382
D441,629 S *	5/2001	Price	D8/70
D471,216 S *	3/2003	Hollinger et al.	D15/133
D475,265 S *	6/2003	Hatch et al.	D8/66
D479,454 S *	9/2003	Shih	D8/66
D504,601 S *	5/2005	Jimenez	D8/45
6,901,635 B1 *	6/2005	Scola	16/422
D514,917 S *	2/2006	Coudurier	D8/107
D529,789 S *	10/2006	Klecker	D8/356
D547,622 S *	7/2007	Palermo et al.	D8/8

Related U.S. Application Data

(63) Continuation of application No. 29/252,976, filed on Jan. 31, 2006, now Pat. No. Des. 529,358.

(51) **LOC (8) CL.** **08-03**

(52) **U.S. CL.** **D8/66; D8/67**

(58) **Field of Classification Search** D8/69, D8/68, 67; D15/133; 83/397, 468.3, 469, 83/471.3; 30/377, 378, 388, 391
See application file for complete search history.

(56) **References Cited**

U.S. PATENT DOCUMENTS

4,004,722 A *	1/1977	Olivier	294/171
D248,821 S *	8/1978	Poe	D8/107
D256,769 S *	9/1980	Irelan	D8/8
D317,110 S *	5/1991	Arehart	D8/66
D331,416 S *	12/1992	Fushiya et al.	D15/133
D346,173 S *	4/1994	Price	D15/133
D374,803 S *	10/1996	Terpstra et al.	D8/66
D388,443 S *	12/1997	Kondo	D15/133
D391,973 S *	3/1998	Price et al.	D15/133
D400,215 S *	10/1998	Price et al.	D15/133

* cited by examiner

Primary Examiner—Cathron C. Brooks

Assistant Examiner—Austin Murphy

(74) *Attorney, Agent, or Firm*—Adan Ayala

(57) **CLAIM**

The ornamental design for a handle for a saw, as shown and described.

DESCRIPTION

FIG. 1 is a perspective view of a handle for a saw according to the invention.

FIG. 2 is a front elevational view thereof.

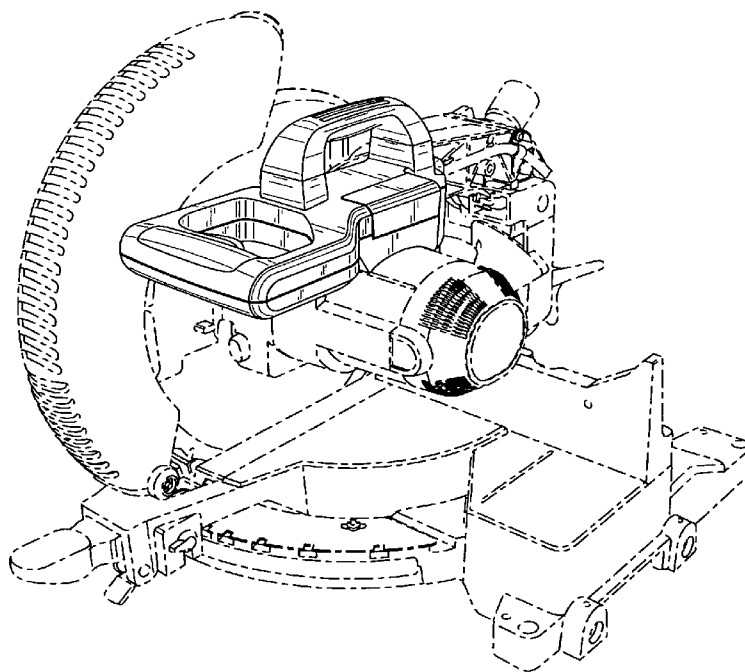
FIG. 3 is a rear elevational view thereof.

FIG. 4 is a right elevational view thereof; and,

FIG. 5 is a top plan view thereof.

In the above drawings, any broken line illustration is not part of the design sought to be patented.

1 Claim, 5 Drawing Sheets



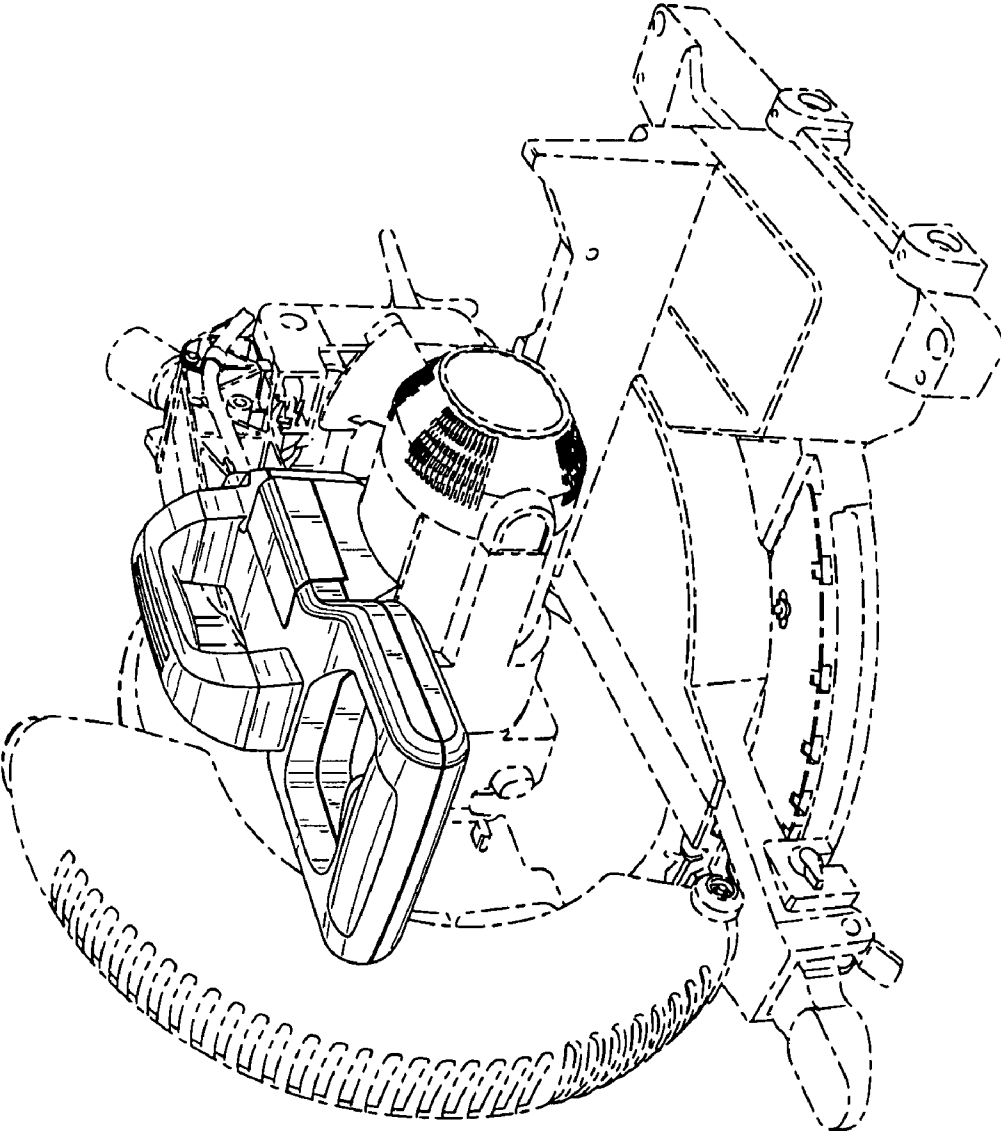


FIG. 1

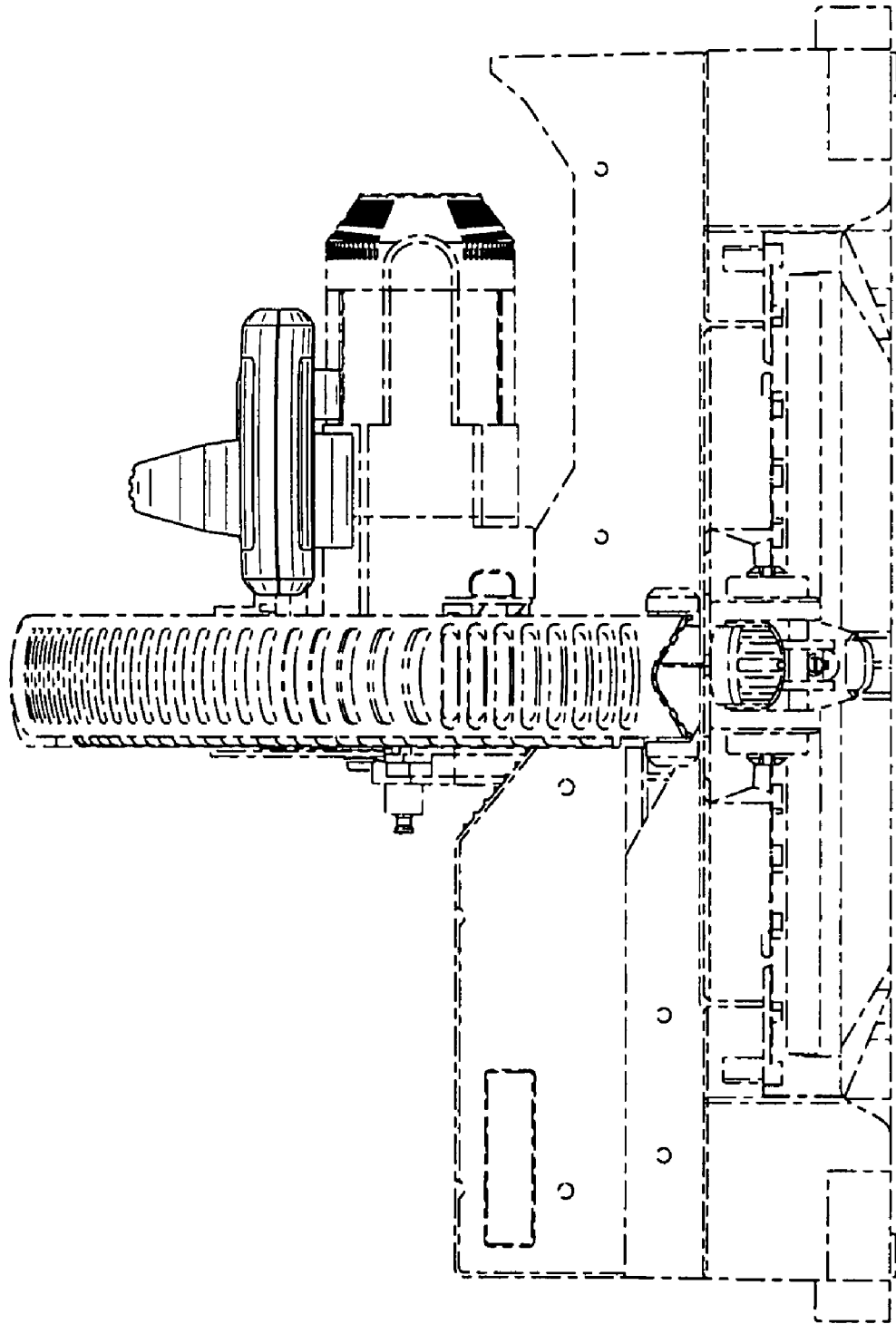


FIG. 2

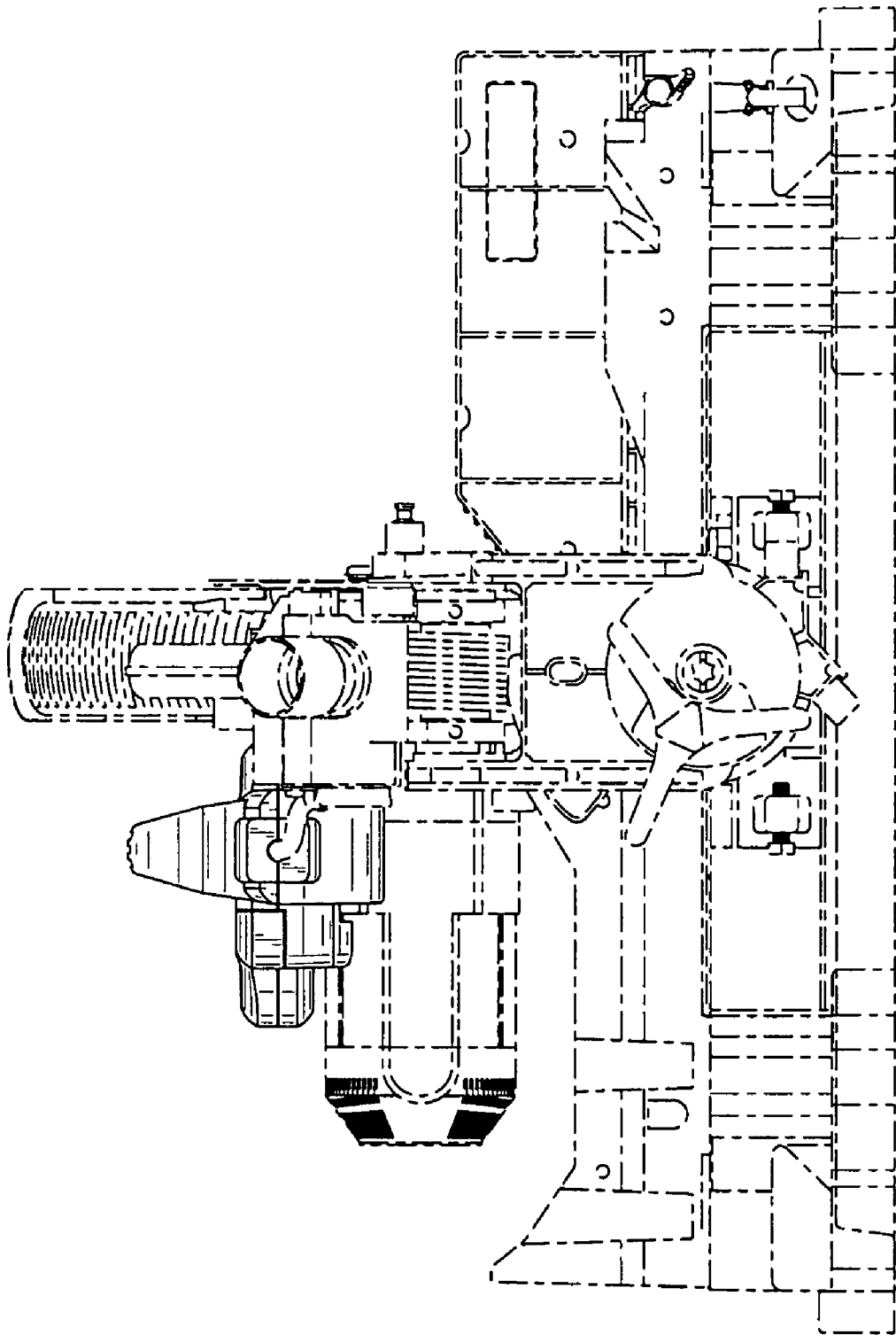


FIG. 3

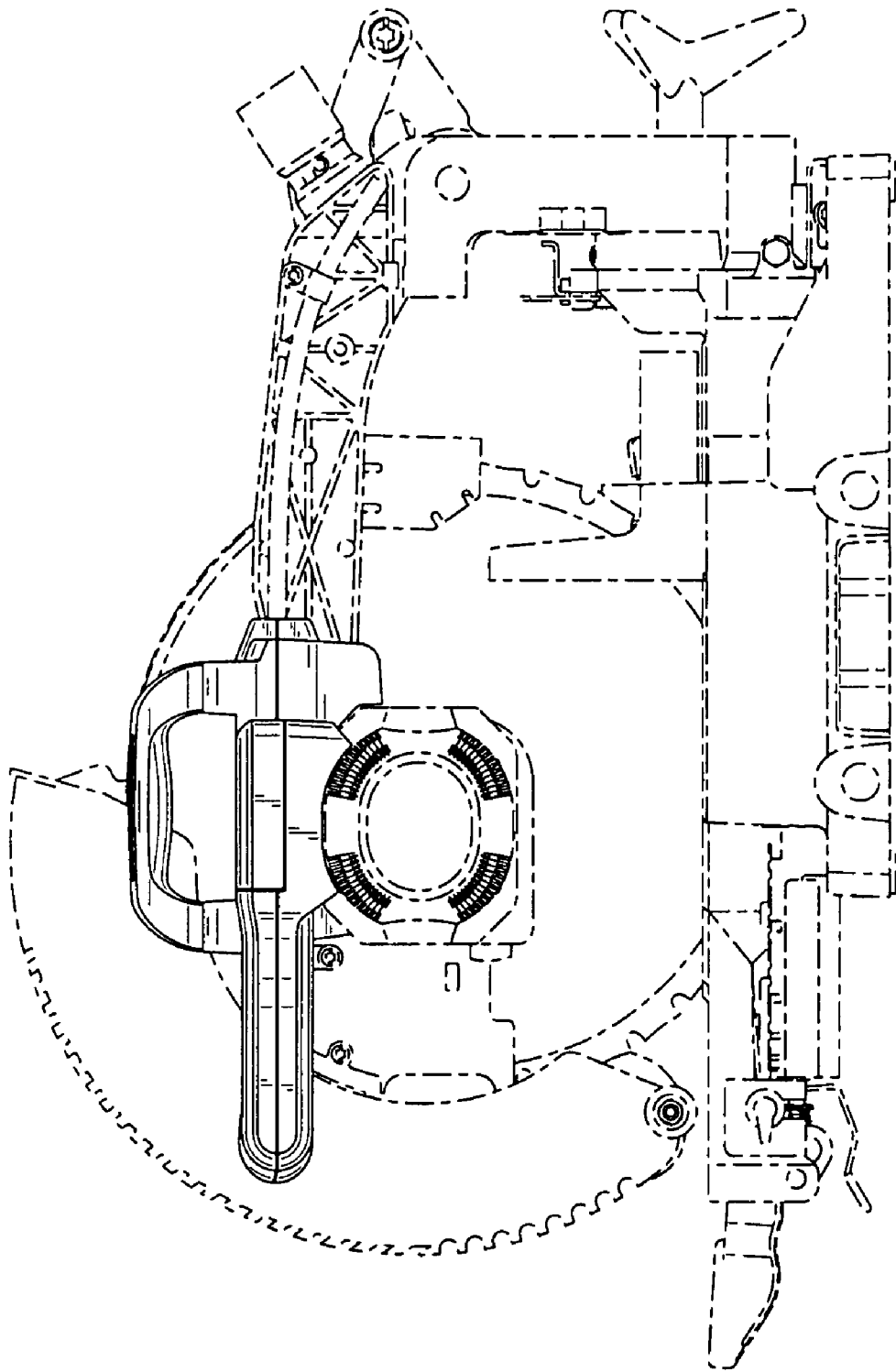


FIG. 4

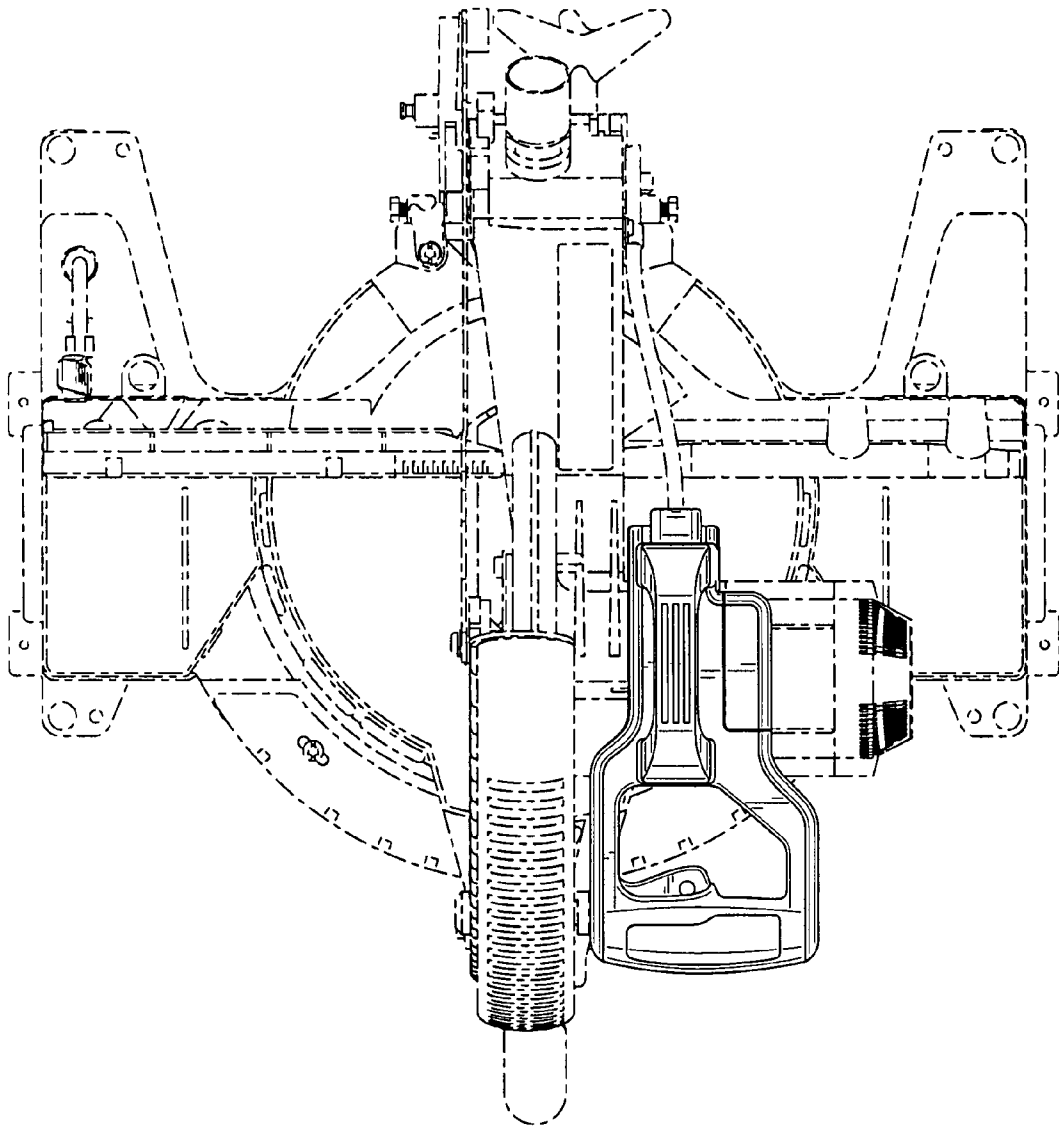


FIG. 5