



US00D802495S

(12) **United States Design Patent**  
**Pruitt**

(10) **Patent No.:** **US D802,495 S**

(45) **Date of Patent:** **\*\* Nov. 14, 2017**

- (54) **BOLT-ON RADIATOR**
- (71) Applicant: **Heavy Duty Radiator LLC**, Romulus, MI (US)
- (72) Inventor: **John R. Pruitt**, Riverview, MI (US)
- (73) Assignee: **Heavy Duty Radiator LLC**, Romulus, MI (US)
- (\*\*) Term: **15 Years**
- (21) Appl. No.: **29/572,538**

4,730,668 A	3/1988	LeMaster	
4,756,361 A *	7/1988	Lesage .....	F28F 1/32 165/149
4,776,417 A	10/1988	Takeuchi et al.	
4,926,934 A	5/1990	Ivy	
5,360,059 A *	11/1994	Olson .....	F28F 9/001 165/149
5,613,551 A	3/1997	Rhodes	
6,129,142 A	10/2000	Beldam	
6,675,921 B2	1/2004	Brown	
6,899,167 B2 *	5/2005	Martins .....	F28D 1/0435 165/140
7,441,620 B2	10/2008	Riniker et al.	
7,500,514 B2 *	3/2009	Heine .....	F01P 11/08 165/140
7,503,380 B2	3/2009	Jakob	

- (22) Filed: **Jul. 28, 2016**
- (51) **LOC (10) Cl.** ..... **12-16**
- (52) **U.S. Cl.**  
USPC ..... **D12/166**
- (58) **Field of Classification Search**  
USPC ..... D12/164, 165, 166  
CPC ..... F28F 9/001; F28D 1/05366; F28D 1/0435  
See application file for complete search history.

(56) **References Cited**  
U.S. PATENT DOCUMENTS

294,707 A	3/1884	Wentworth	
517,193 A	3/1894	Ratsey	
1,344,351 A	6/1920	Norelius et al.	
2,065,515 A	12/1936	Cornell, Jr.	
3,123,170 A	3/1964	Bryant	
3,165,151 A	1/1965	Astrup et al.	
3,982,587 A *	9/1976	Tramontini .....	F01P 11/02 165/149
4,137,982 A	2/1979	Crews et al.	
4,140,177 A	2/1979	Ivie, Sr.	
4,169,501 A	10/1979	Takeuchi et al.	
D263,461 S *	3/1982	Young .....	D12/166
4,382,464 A	5/1983	Melnyk	
4,420,058 A	12/1983	Sato et al.	
4,540,044 A *	9/1985	Lenz .....	F28F 9/001 165/149
4,619,313 A	10/1986	Rhodes et al.	

FOREIGN PATENT DOCUMENTS

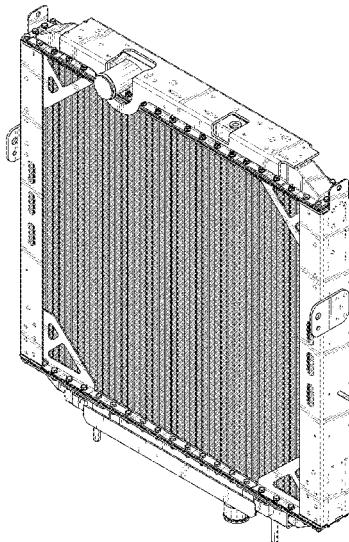
EP 1707421 A1 10/2006  
*Primary Examiner* — Darlington Ly  
*(74) Attorney, Agent, or Firm* — The Dobrusin Law Firm, P.C.

(57) **CLAIM**  
 The ornamental design for a bolt-on radiator, as shown and described.

**DESCRIPTION**

FIG. 1 is a top, front, and right side perspective view of a bolt-on radiator showing my new design;  
 FIG. 2 is a front elevation view thereof;  
 FIG. 3 is a rear elevation view thereof;  
 FIG. 4 is a left side elevation view thereof;  
 FIG. 5 is a right side elevation view thereof;  
 FIG. 6 is a top plan view thereof; and,  
 FIG. 7 is a bottom plan view thereof.  
 The broken lines in the drawings illustrate portions of the bolt-on radiator that form no part of the claimed design.

**1 Claim, 5 Drawing Sheets**



(56)

**References Cited**

## U.S. PATENT DOCUMENTS

7,694,724	B2 *	4/2010	Kolb .....	F28F 9/001 165/149
D619,511	S *	7/2010	Sullivan .....	D12/166
D621,016	S *	8/2010	Garcia .....	D23/330
7,942,223	B2	5/2011	Obayashi et al.	
D647,436	S *	10/2011	Sullivan .....	D12/166
8,376,073	B2 *	2/2013	Nantais .....	B60K 11/04 180/68.4
D686,543	S	7/2013	Weil	
8,646,554	B2	2/2014	Takahashi et al.	
D703,126	S *	4/2014	Tafe .....	D12/223
D717,218	S *	11/2014	Tafe .....	D12/166
D717,702	S *	11/2014	McCardle .....	D12/166
9,090,159	B2	7/2015	Pruitt	
D746,732	S *	1/2016	Pruitt .....	D12/166
D751,472	S *	3/2016	Pruitt .....	D12/166
2005/0029028	A1	2/2005	Steinmacher	
2006/0213640	A1	9/2006	Matsuoka et al.	
2008/0164015	A1	7/2008	Papapanu	
2010/0163324	A1	7/2010	Jyoutaki et al.	
2011/0155358	A1 *	6/2011	Galahroudi .....	F28F 9/0214 165/173

\* cited by examiner

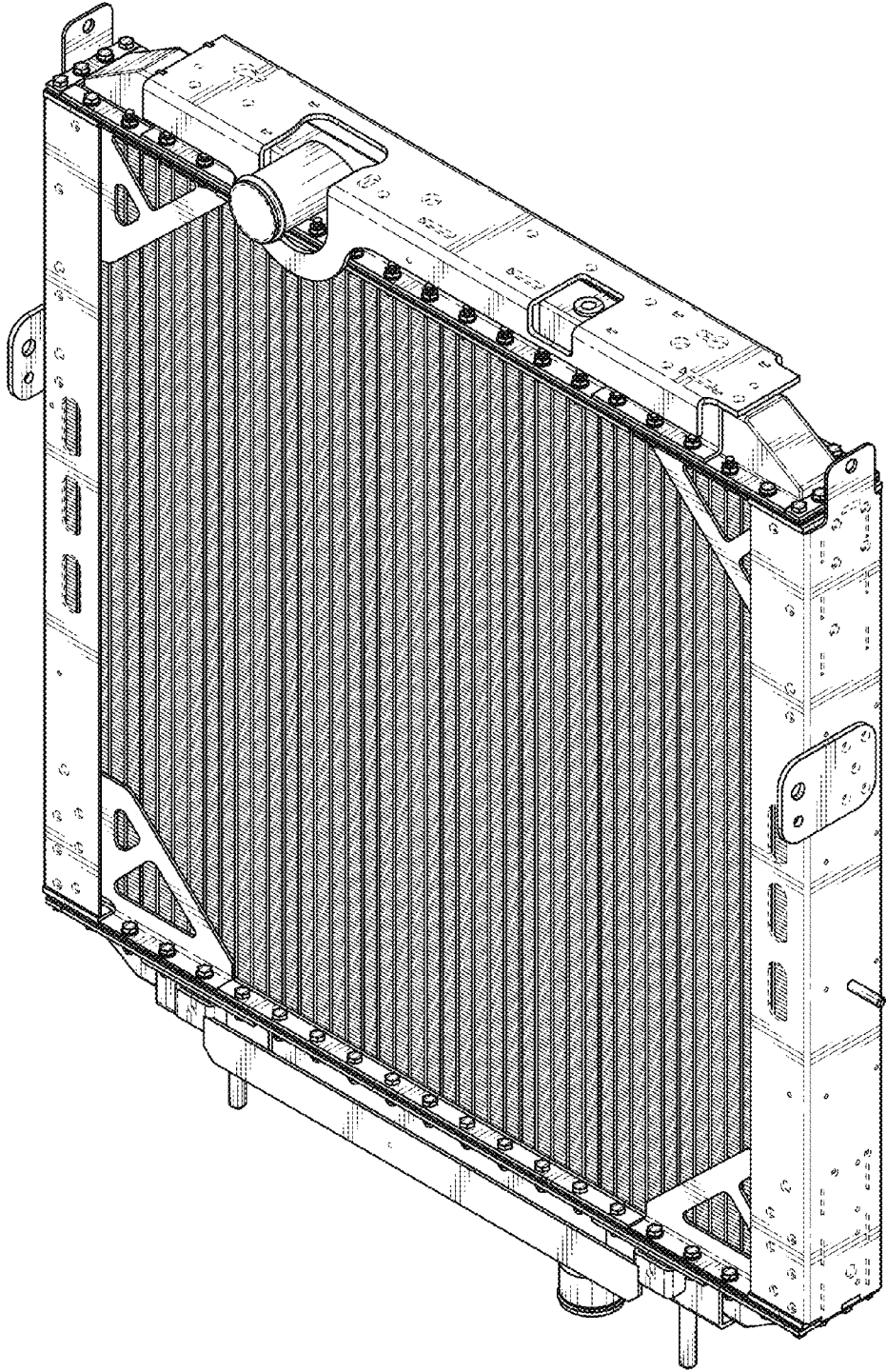


FIG. 1

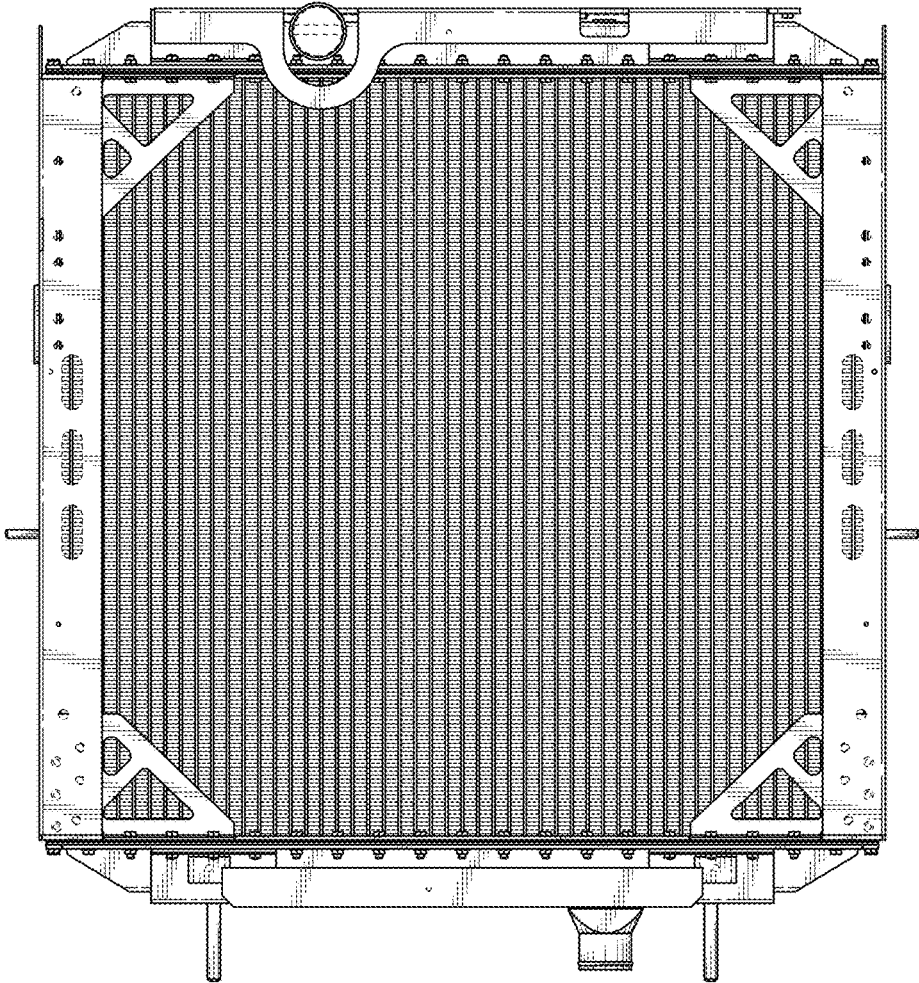


FIG. 2

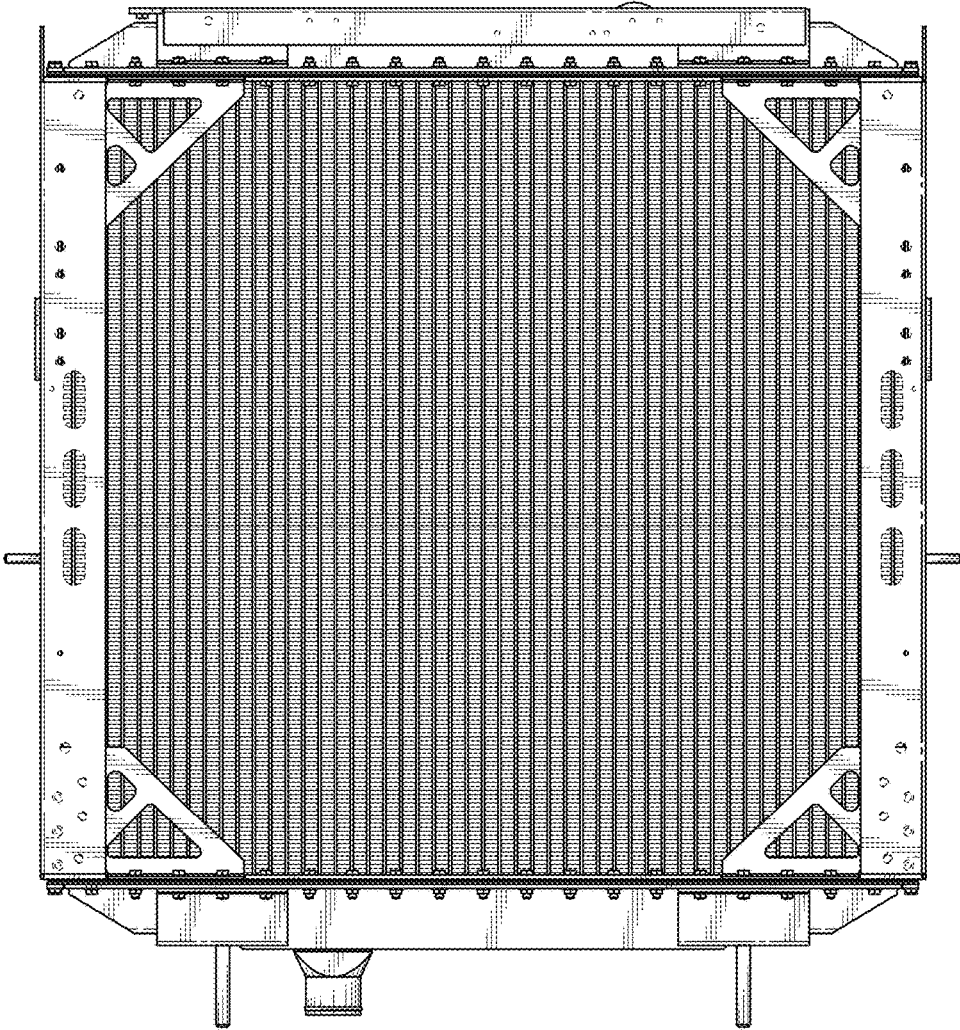


FIG. 3

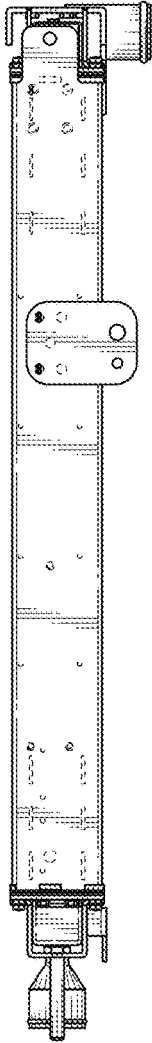


FIG. 4

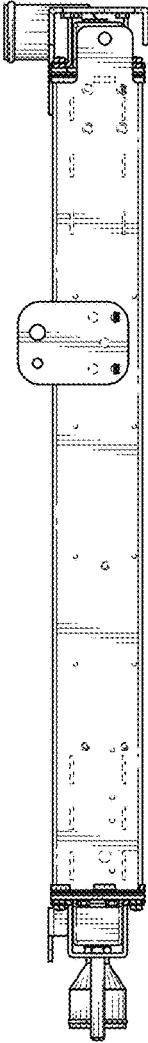


FIG. 5

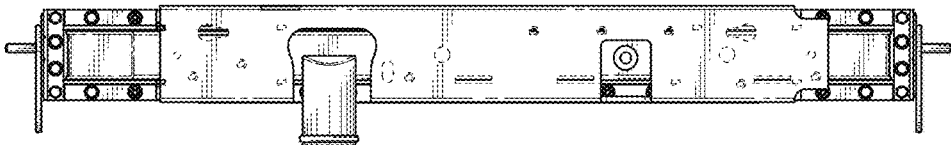


FIG. 6

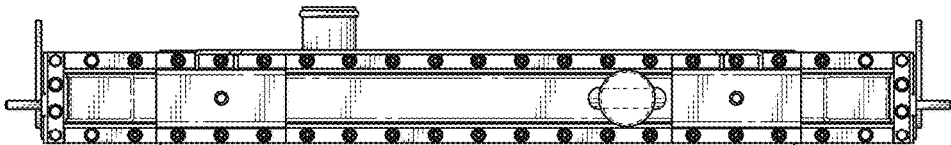


FIG. 7