



US0D1076005S

(12) **United States Design Patent**  
**Yan**

(10) **Patent No.:** **US D1,076,005 S**

(45) **Date of Patent:** **\*\* May 20, 2025**

(54) **SHOWER HEAD HOLDER**

FOREIGN PATENT DOCUMENTS

(71) Applicant: **XIAMEN GALENPOO KITCHEN & BATHROOM TECHNOLOGY CO., LTD.**, Xiamen (CN)

CN 304953208 \* 12/2018  
CN 306816059 \* 9/2021

(Continued)

(72) Inventor: **Xiaoling Yan**, Xiamen (CN)

OTHER PUBLICATIONS

(73) Assignee: **XIAMEN GALENPOO KITCHEN & BATHROOM TECHNOLOGY CO., LTD.**, Xiamen (CN)

All Metal Handheld Shower Head Holder. By Iinyf. Dated Jun. 6, 2024. Found online [Mar. 14, 2025] <https://www.amazon.com/Handheld-Adjustable-Ball%E2%8C%8CShower-Connecting-Hose%E2%8C%8Cchrome/dp/B0D69CJSWL> (Year: 2024).\*

(Continued)

(\*\*) Term: **15 Years**

*Primary Examiner* — Marissa J. Cash

*Assistant Examiner* — Earl B Elowsky

(21) Appl. No.: **29/916,872**

(74) *Attorney, Agent, or Firm* — Ricky Lam

(22) Filed: **Nov. 16, 2023**

(51) **LOC (15) Cl.** ..... **23-01**

(57) **CLAIM**

(52) **U.S. Cl.**

The ornamental design for a shower head holder, as shown and described.

USPC ..... **D23/304**

(58) **Field of Classification Search**

**DESCRIPTION**

USPC ..... D23/213, 223–230, 233, 235–269, 275, D23/283, 303, 304; D6/524, 525, 527, D6/540; D8/373, 367

FIG. 1 is a front perspective view of a shower head holder, showing my new design;  
FIG. 2 is a rear perspective view thereof;  
FIG. 3 is a front view thereof;  
FIG. 4 is a rear view thereof;  
FIG. 5 is a left side view thereof;  
FIG. 6 is a right side view thereof;  
FIG. 7 is a top view thereof;  
FIG. 8 is a bottom view thereof;  
FIG. 9 is an enlarged detail view of area 9 in FIG. 1; and,  
FIG. 10 is an enlarged detail view of area 10 in FIG. 5.

CPC ..... E03C 1/0408; E03C 1/06; E03C 1/0405; E03C 1/023; E03C 2201/30; E03C 2201/40; E03C 1/066; B05B 1/30; B05B 15/60; B05B 15/62; F16K 11/0445

See application file for complete search history.

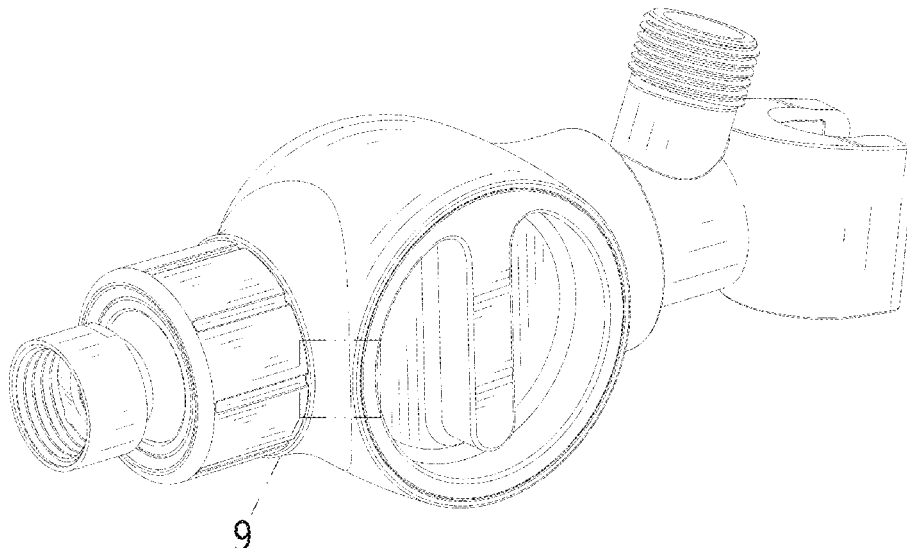
(56) **References Cited**

U.S. PATENT DOCUMENTS

D517,179 S *	3/2006	Chan	.....	D23/304
D594,531 S *	6/2009	Daunter	.....	D23/238
D841,786 S *	2/2019	Hsieh	.....	D23/304
D925,017 S *	7/2021	Liu	.....	D23/304
D960,328 S *	8/2022	Guindi	.....	D23/257
D965,753 S *	10/2022	Zhang	.....	D23/304
D991,400 S *	7/2023	Liao	.....	D23/304

(Continued)

**1 Claim, 10 Drawing Sheets**



(56)

**References Cited**

U.S. PATENT DOCUMENTS

2013/0161420 A1\* 6/2013 Tseng ..... E03C 1/06  
239/581.1  
2013/0340854 A1\* 12/2013 Quinn ..... E03C 1/0409  
137/343  
2018/0304279 A1\* 10/2018 Zhu ..... B05B 1/1636  
2019/0366372 A1\* 12/2019 Fan ..... B05B 1/185  
2020/0078801 A1\* 3/2020 Lu ..... B05B 12/002  
2020/0291626 A1\* 9/2020 Wu ..... B05B 1/1681  
2022/0057003 A1\* 2/2022 Ni ..... E03C 1/0408  
2022/0396935 A1\* 12/2022 McCutcheon ..... E03C 1/0403  
2024/0255061 A1\* 8/2024 Yu ..... F16K 11/074

FOREIGN PATENT DOCUMENTS

CN 308541116 \* 3/2024  
CN 308652788 \* 5/2024

OTHER PUBLICATIONS

Shower Head Holder, Axioblis Handheld Showerhead Holder with Replaceable Filter. By Axioblis. Dated Jun. 17, 2024. Found online [Mar. 14, 2025] <https://www.amazon.com/Shower-Axioblis-Handheld-Showerhead-Replaceable/dp/B0D786NGR2> (Year: 2024).\*

\* cited by examiner

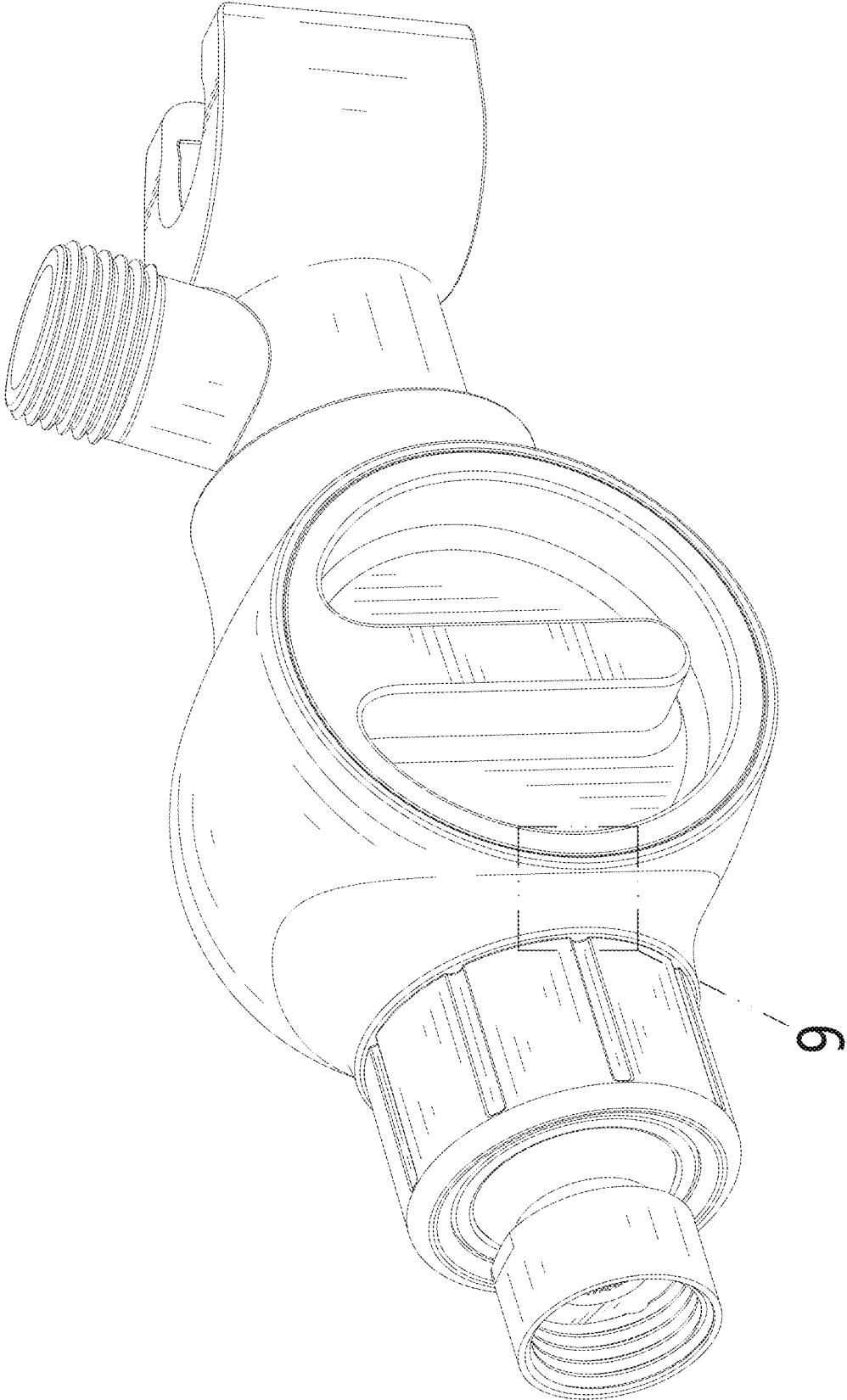


FIG. 1

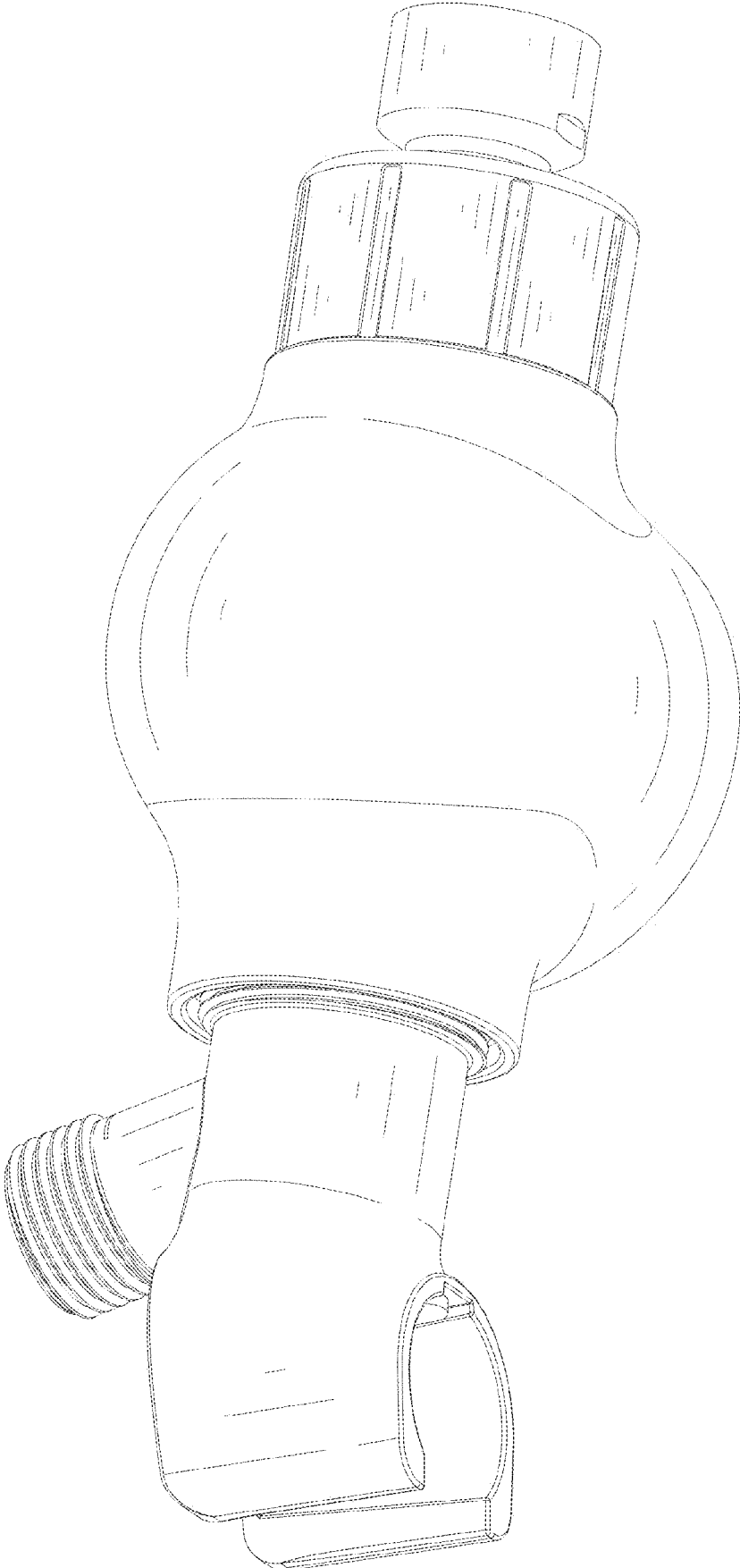


FIG. 2

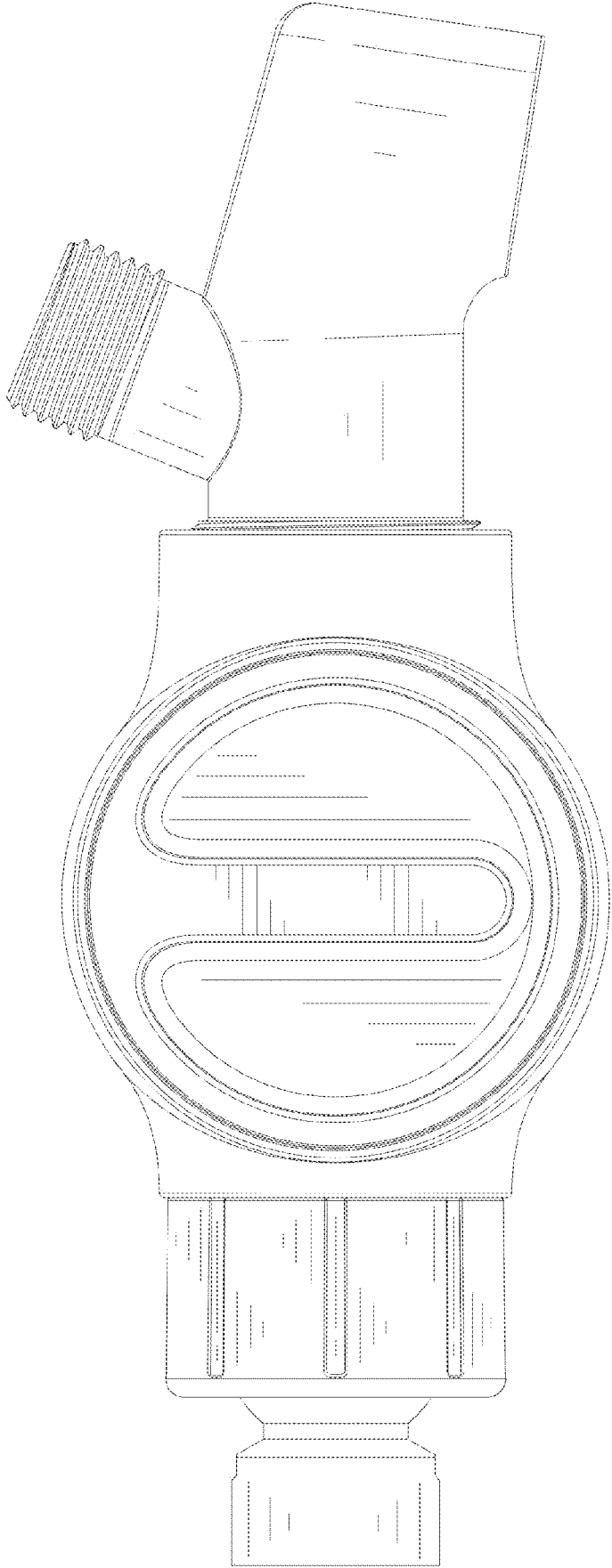


FIG. 3

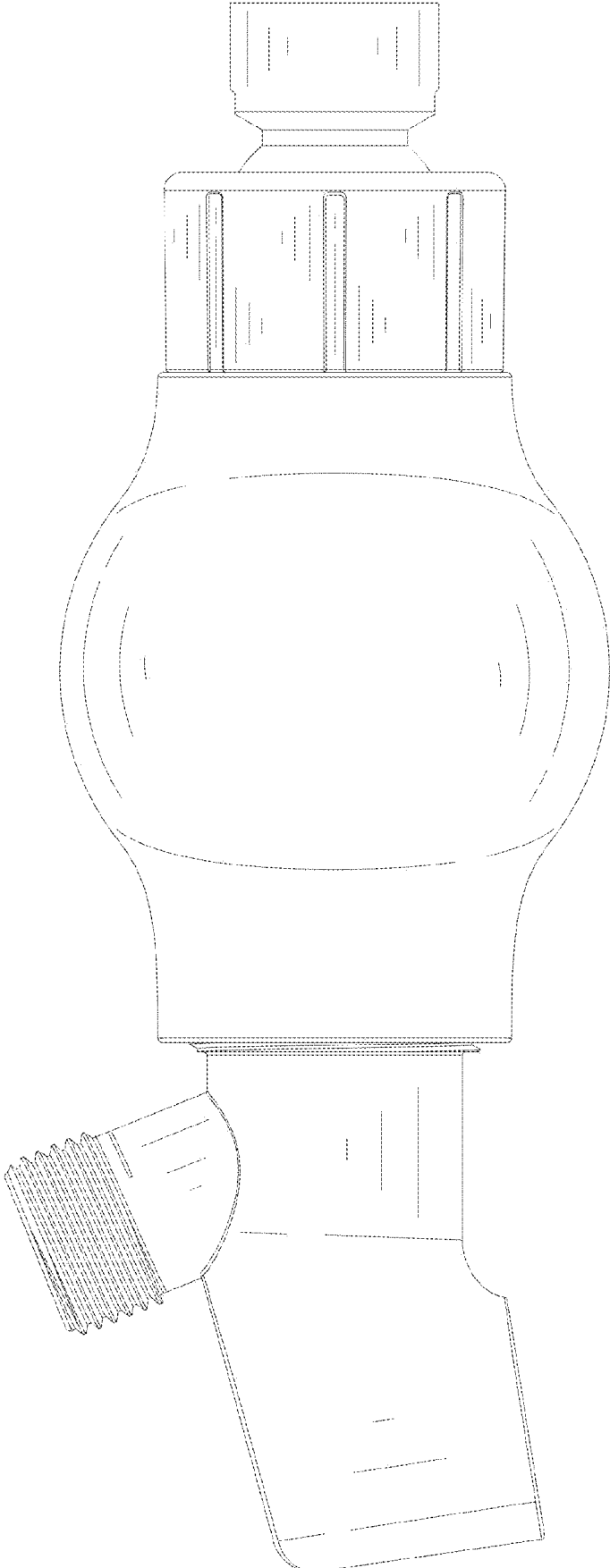


FIG. 4

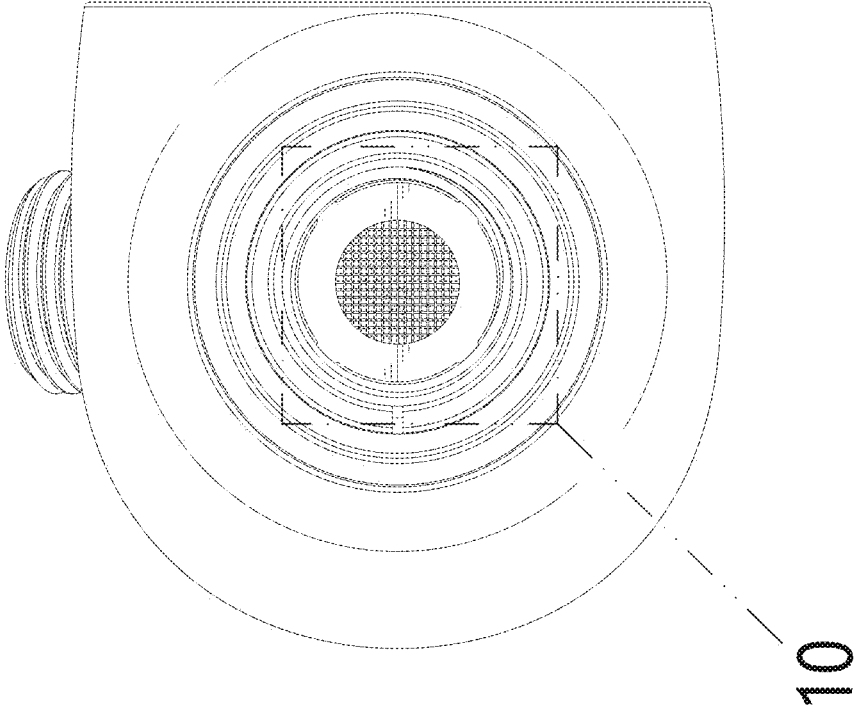


FIG. 5

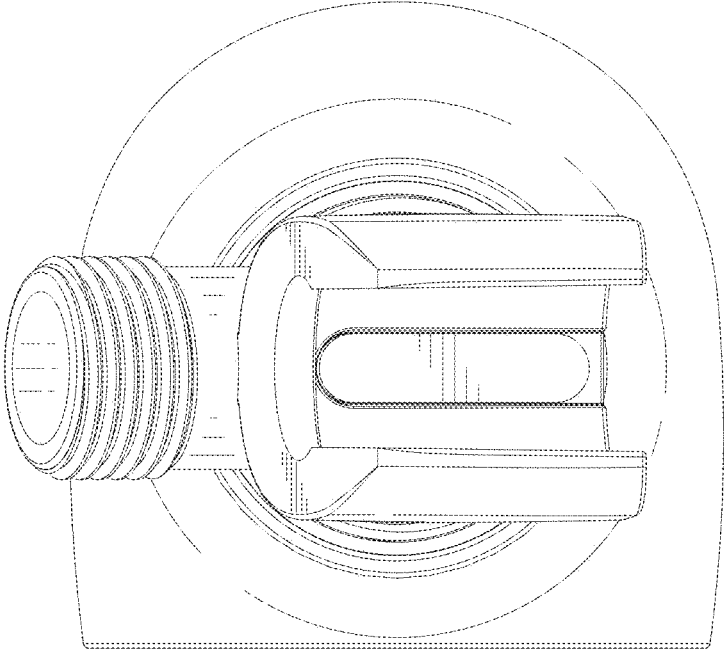


FIG. 6

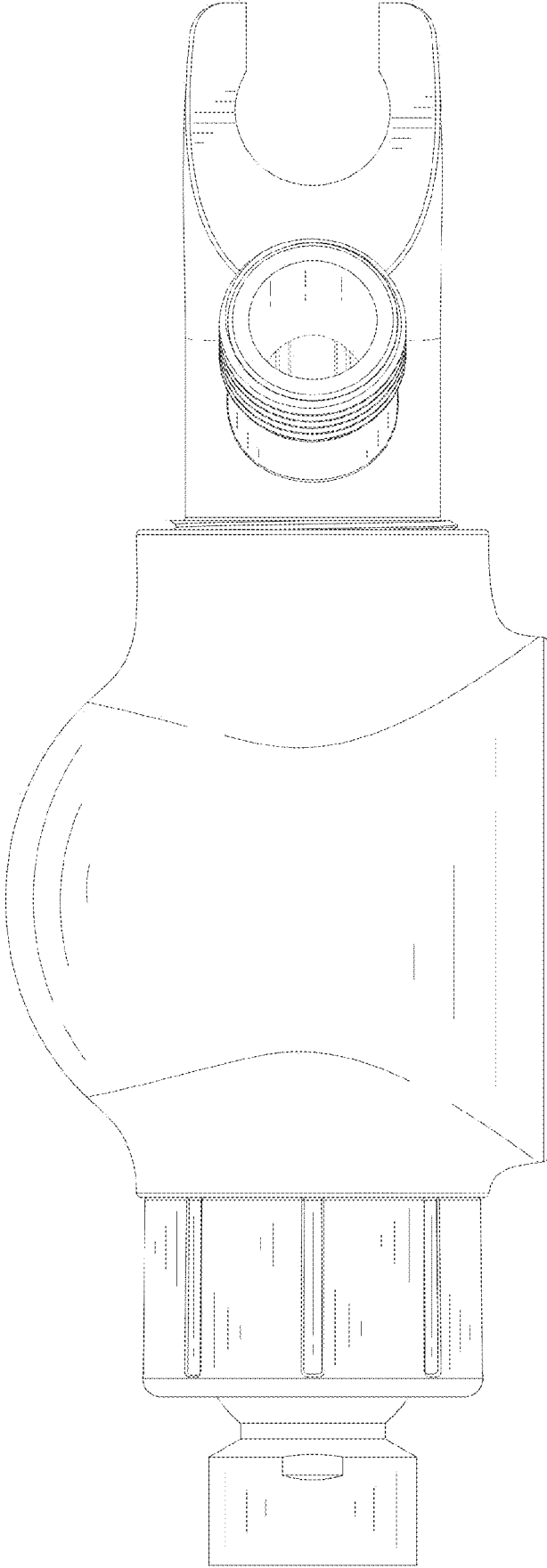


FIG. 7

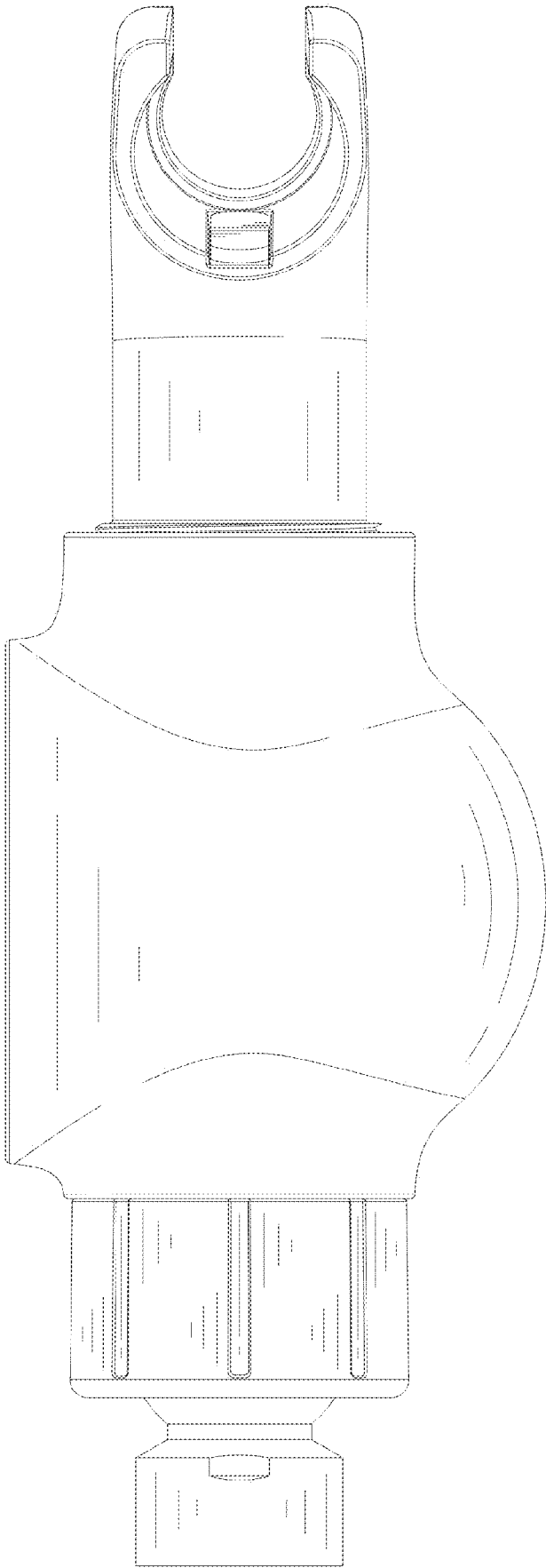


FIG. 8

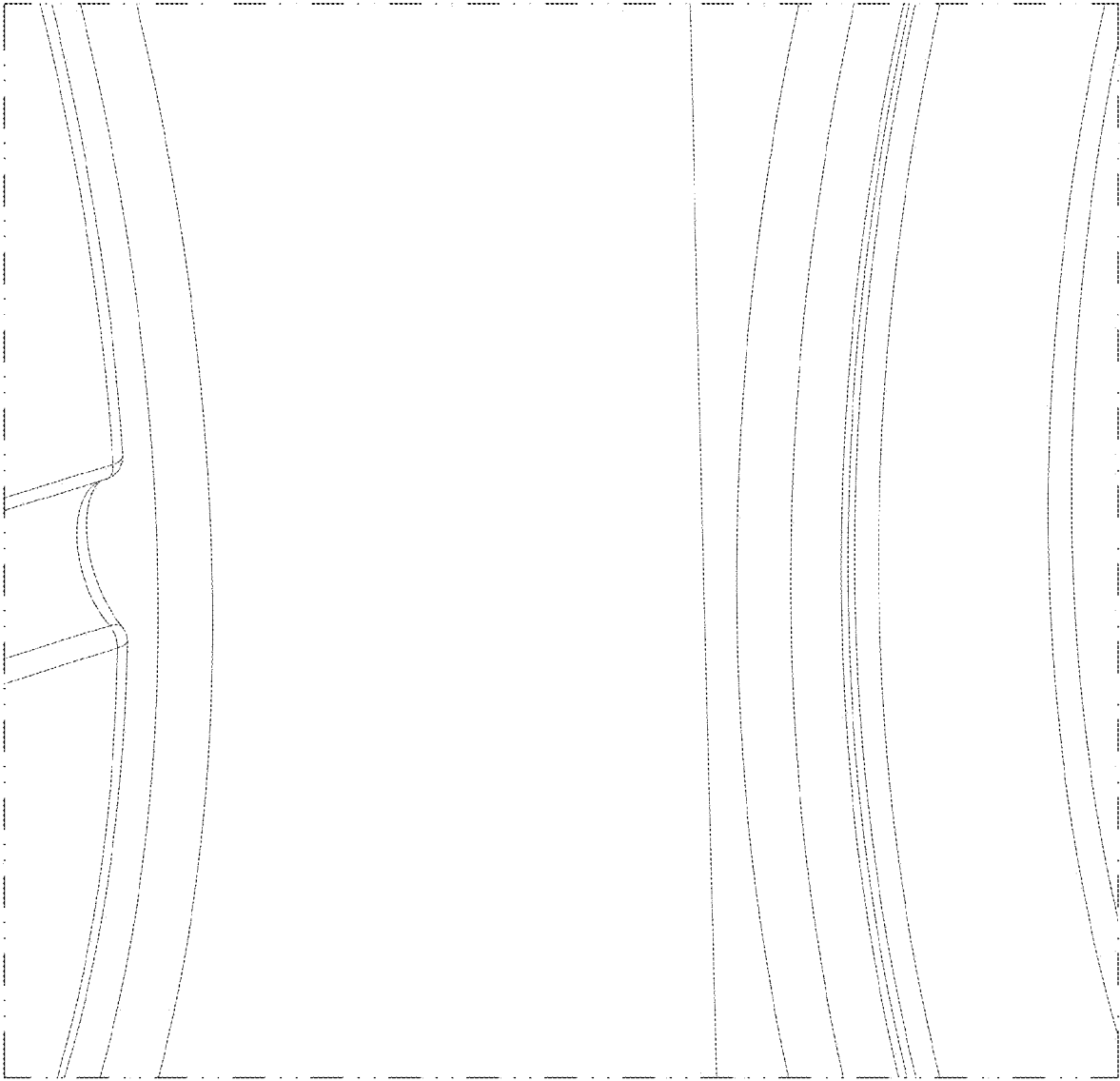


FIG. 9

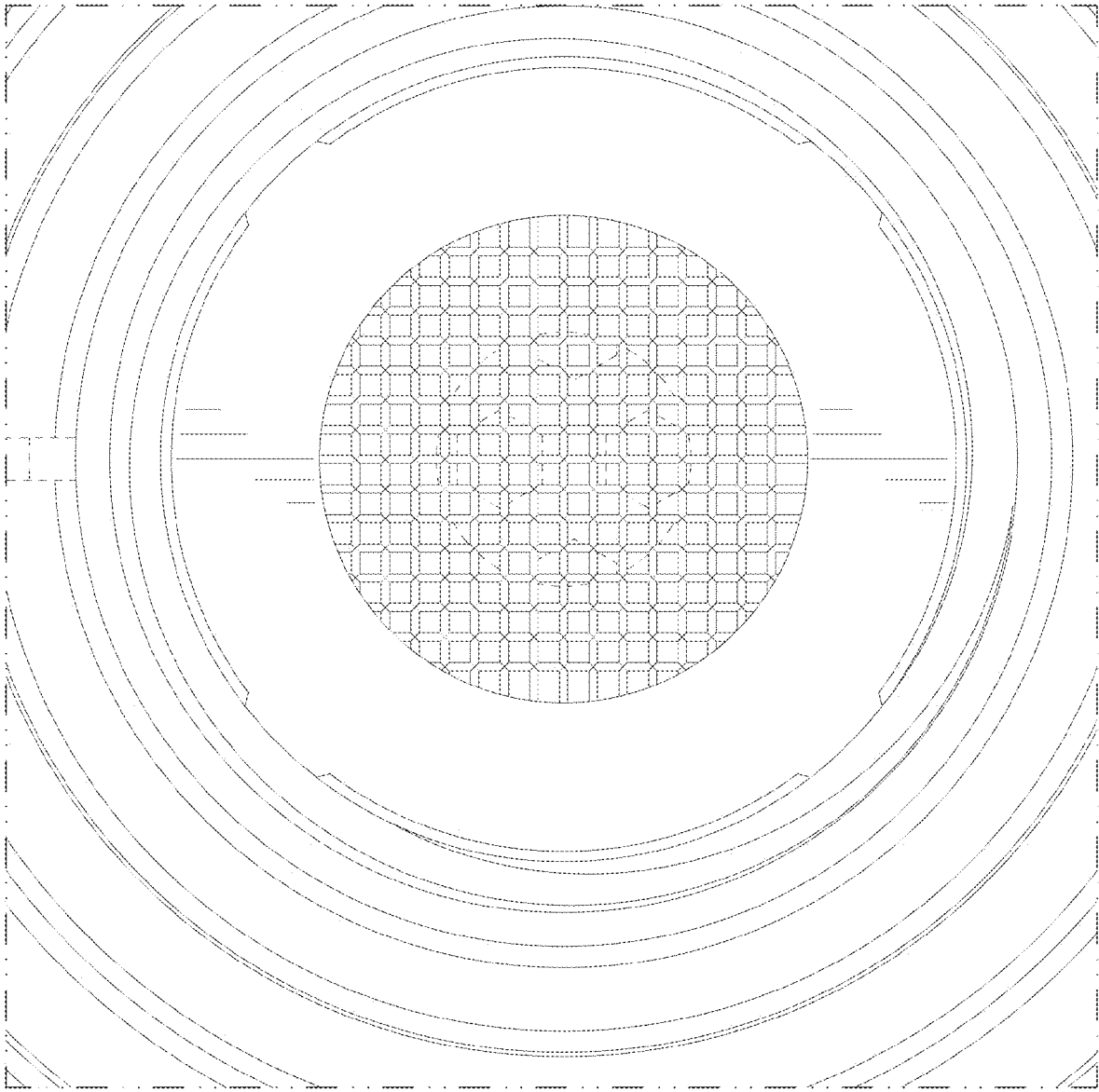


FIG. 10