



US0D1019505S

(12) **United States Design Patent**
Zhang

(10) **Patent No.:** **US D1,019,505 S**

(45) **Date of Patent:** **** Mar. 26, 2024**

(54) **FUEL TANK CAP**

(71) Applicant: **Weihua Zhang**, Shenzhen (CN)

(72) Inventor: **Weihua Zhang**, Shenzhen (CN)

(**) Term: **15 Years**

(21) Appl. No.: **29/858,110**

(22) Filed: **Oct. 28, 2022**

(30) **Foreign Application Priority Data**

Oct. 20, 2022 (CN) 202230692456.4

(51) **LOC (14) Cl.** **12-11**

(52) **U.S. Cl.**
USPC **D12/197**

(58) **Field of Classification Search**
USPC D8/310-312; D7/398; D12/114,
D12/197-201, 218; D15/150; D23/260;
D9/451-454
CPC B60K 15/0406; B60K 2015/0359; B60K
2015/03547; B60H 1/34
See application file for complete search history.

(56) **References Cited**

U.S. PATENT DOCUMENTS

D81,713 S *	7/1930	Moorhouse	D12/197
D312,442 S *	11/1990	Whitley, II	D12/317
D338,650 S *	8/1993	Bujan	D12/197
D342,924 S *	1/1994	Hogg	D12/197
D431,512 S *	10/2000	Pink	D12/197
D475,270 S *	6/2003	Loyd	D8/312
D486,768 S *	2/2004	Ripkey	D12/197
D509,780 S *	9/2005	James	D12/197
D617,459 S *	6/2010	Bogue	D24/155
D806,544 S *	1/2018	Williams	D12/197
D901,297 S *	11/2020	Hudson	D9/454
D909,942 S *	2/2021	Tinius	D12/197
D920,105 S *	5/2021	Partsch, IV	D9/453

D927,975 S *	8/2021	Hole	D9/452
D937,036 S *	11/2021	Shi	D7/392.1
D938,556 S *	12/2021	Zhang	D23/260
D988,070 S *	6/2023	Lai	D9/453
D988,131 S *	6/2023	Aboabdo	D9/452
D996,968 S *	8/2023	Murali	D9/453
D1,003,719 S *	11/2023	Viale	D9/452

FOREIGN PATENT DOCUMENTS

CN 202030759341.3 * 4/2021

OTHER PUBLICATIONS

Amazon.com, Damai Motorcycle Fuel Caps Aluminum Gas Cap Fuel Tank Oil Cover for Harley, published Sep. 19, 2023 [retrieved Dec. 14, 2023]. Retrieved from the internet<<https://www.amazon.com/Motorcycle-Aluminum-Sportster-Softail-Freewheeler/dp/B0CJBX2WZH>> (Year: 2023).*

* cited by examiner

Primary Examiner — Joseph Kukella
Assistant Examiner — Lavon M. Amerson

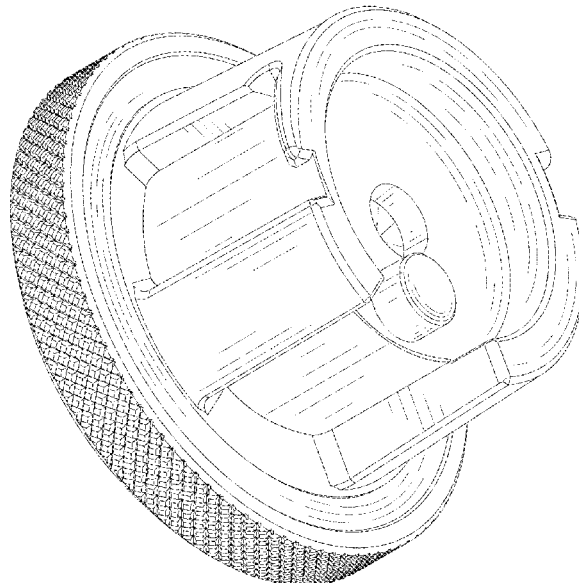
(57) **CLAIM**

The ornamental design for a fuel tank cap, as shown and described.

DESCRIPTION

FIG. 1 is a front perspective view of a fuel tank cap, showing my new design;
FIG. 2 is a rear perspective view thereof;
FIG. 3 is a rear view thereof;
FIG. 4 is a front view thereof;
FIG. 5 is a left side view thereof;
FIG. 6 is a right side view thereof;
FIG. 7 is a top view thereof; and,
FIG. 8 is a bottom view thereof.

1 Claim, 8 Drawing Sheets



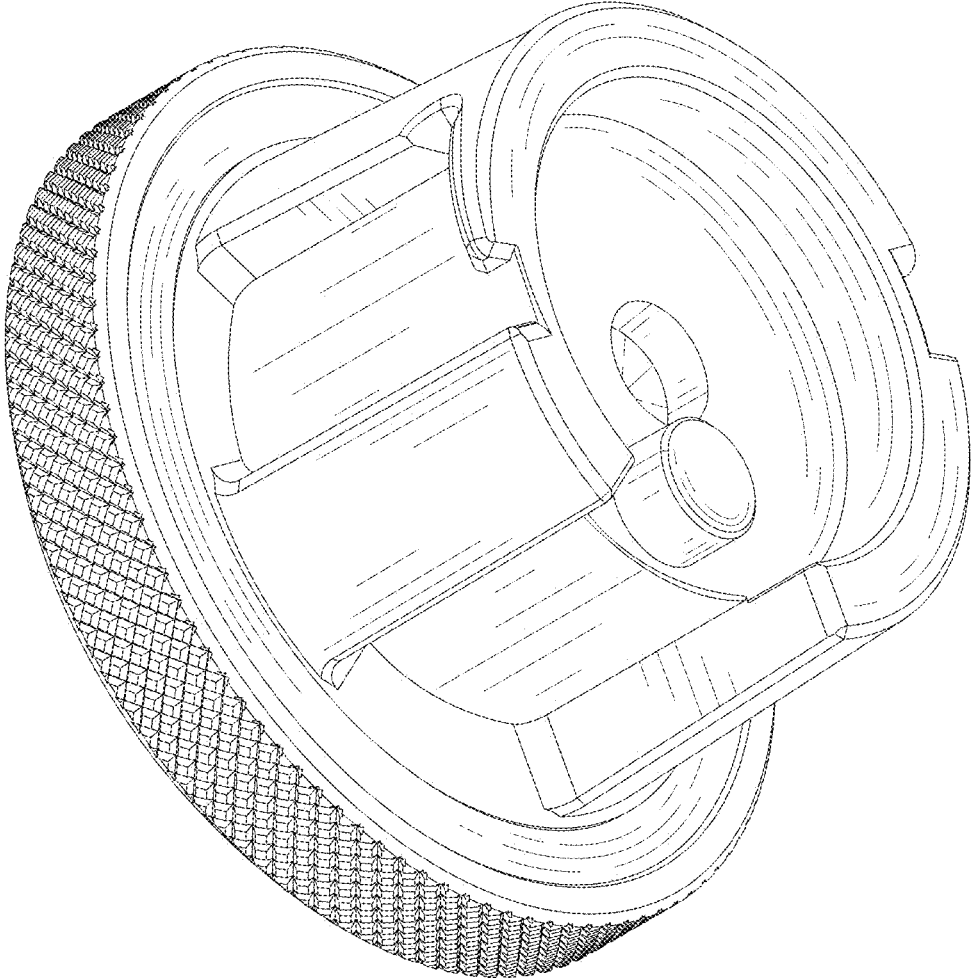


FIG. 1

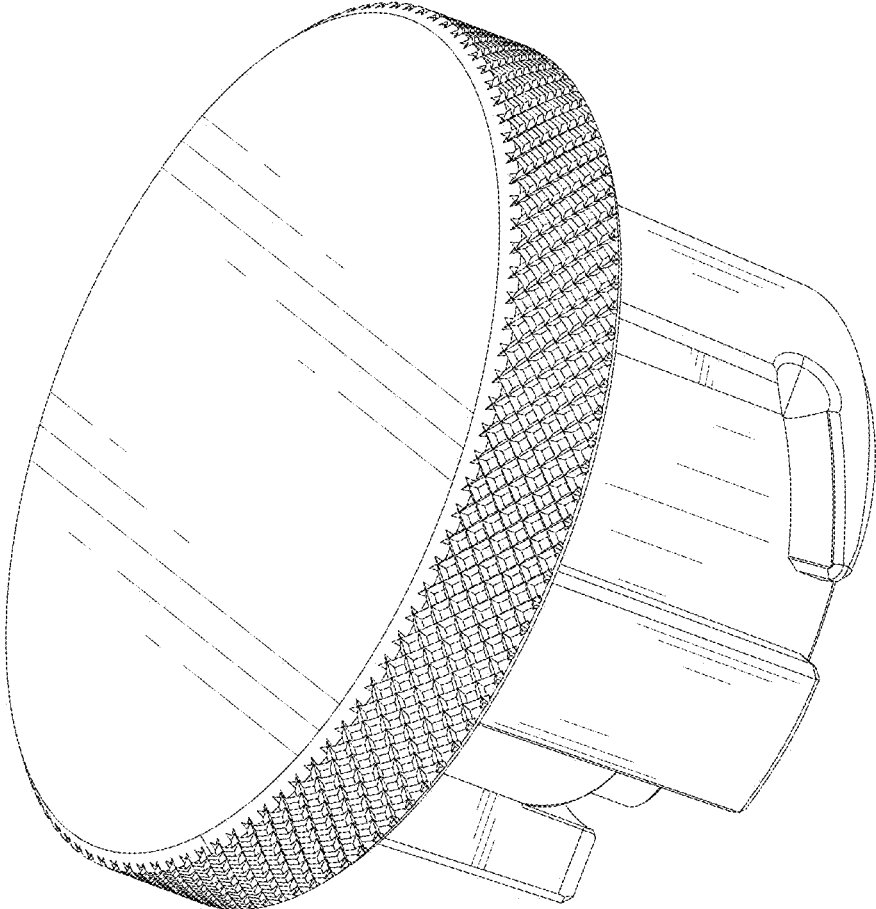


FIG. 2

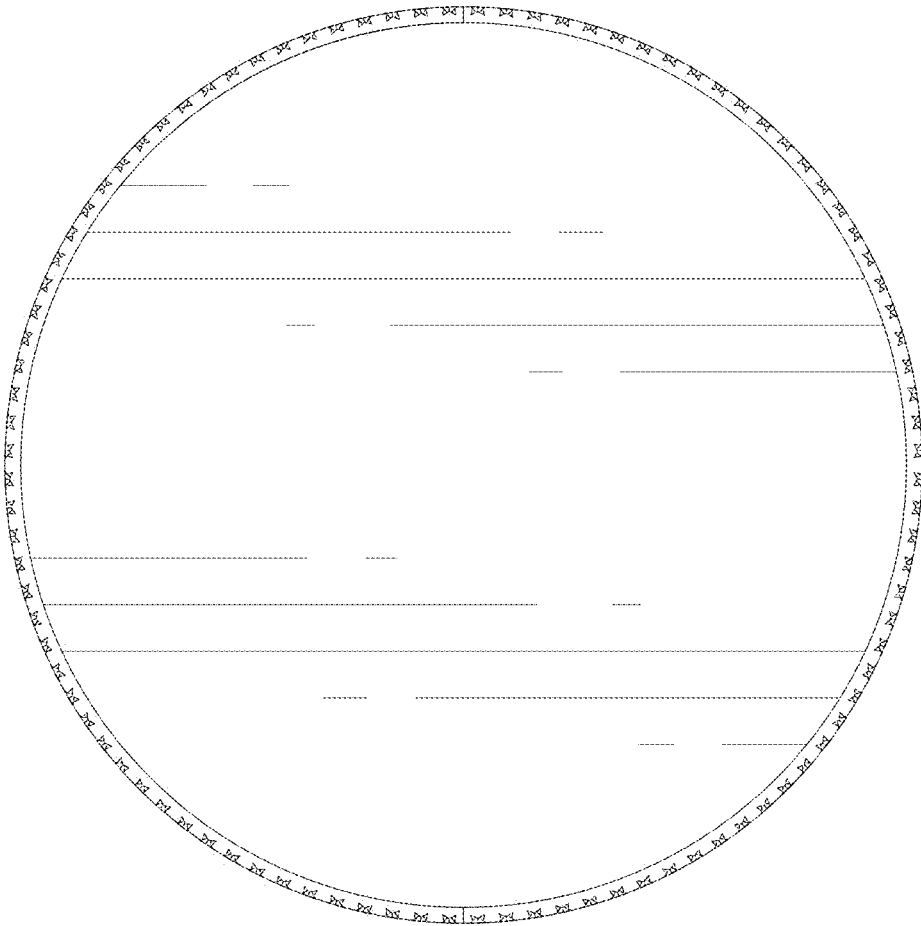


FIG. 3

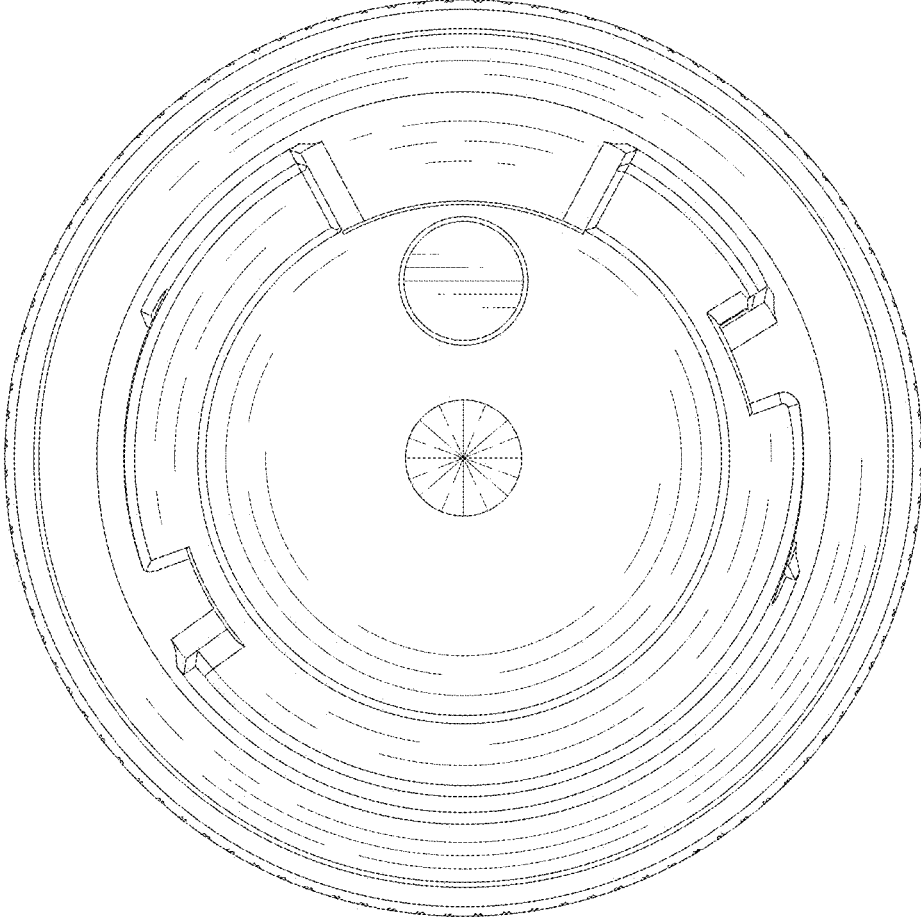


FIG. 4

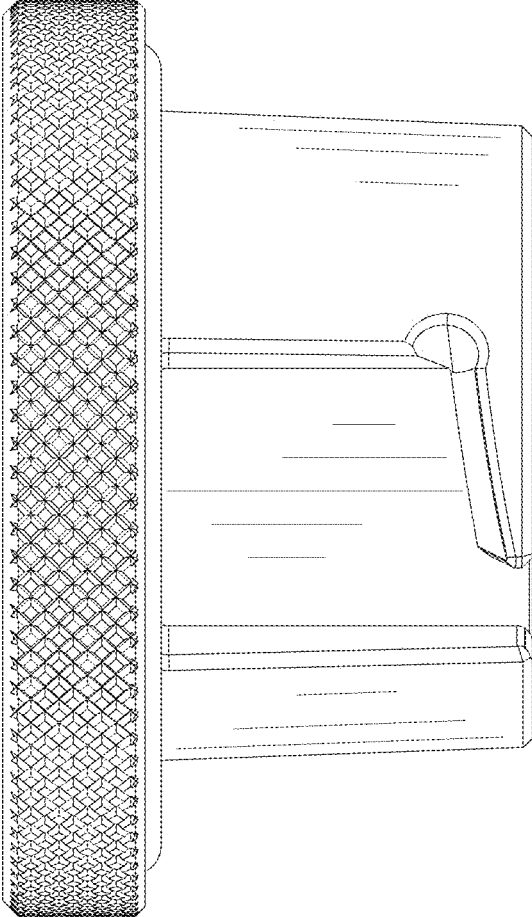


FIG. 5

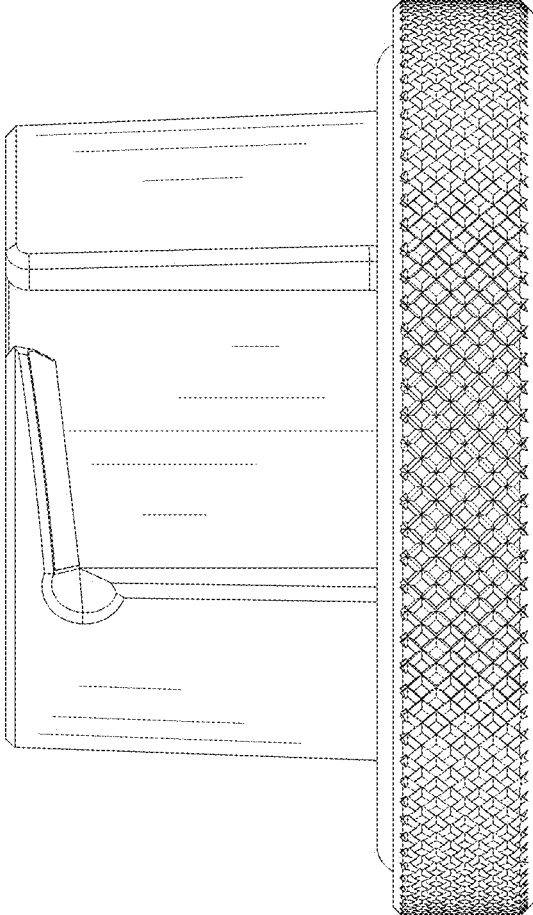


FIG. 6

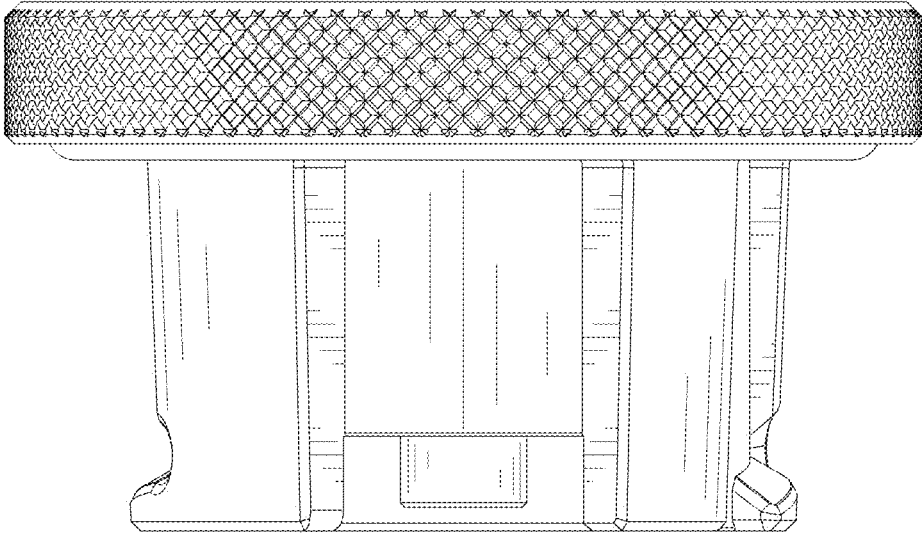


FIG. 7

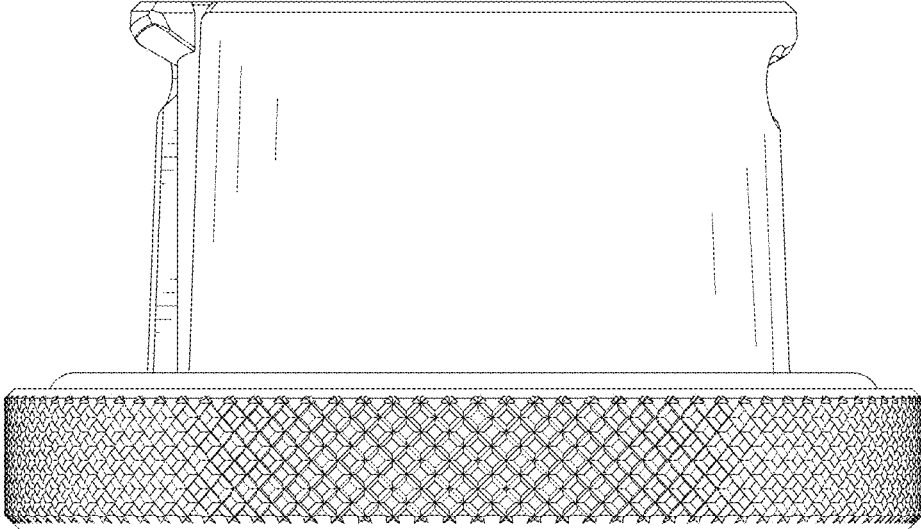


FIG. 8