



US00RE49944E

(19) **United States**
(12) **Reissued Patent**
Hancock

(10) **Patent Number:** **US RE49,944 E**
(45) **Date of Reissued Patent:** **Apr. 30, 2024**

- (54) **WALL PROTECTOR EXTENDER**
- (71) Applicant: **Tate D. Hancock**, Wichita, KS (US)
- (72) Inventor: **Tate D. Hancock**, Wichita, KS (US)
- (21) Appl. No.: **29/855,713**
- (22) Filed: **Oct. 6, 2022**

Primary Examiner — Philip S Hyder
(74) *Attorney, Agent, or Firm* — Stinson LLP

(57) **CLAIM**

The ornamental design for a wall protector extender, as shown and described.

Related U.S. Patent Documents

- Reissue of:
- (64) Patent No.: **Des. 933,468**
 - Issued: **Oct. 19, 2021**
 - Appl. No.: **29/691,983**
 - Filed: **May 21, 2019**
- (51) **LOC (14) Cl.** **08-09**
 - (52) **U.S. Cl.**
 - USPC **D8/402**
 - (58) **Field of Classification Search**
 - USPC D8/402, 404, 499
 - CPC . Y10T 16/6285; Y10T 16/628; Y10T 16/629;
E05F 5/02; E05F 5/06; A47B 2230/0077;
A47B 2230/0081; A47B 47/025; A47B
47/042; E04F 19/026; E04F 11/1804
- See application file for complete search history.

DESCRIPTION

FIG. 1 is a top-down three-dimensional isometric view of a wall protector extender according to the present design.
 FIG. 2 is a bottom isometric view thereof;
 FIG. 3 is a front elevational view thereof, the rear elevational view being a mirror image of FIG. 3;
 FIG. 4 is a top plan view thereof;
 FIG. 5 is a bottom plan view thereof;
 FIG. 6 is a sectional view taken about the line indicated in FIG. 5; [and,]
 FIG. 7 is a sectional view taken about the line indicated in FIG. 4[.];
FIG. 8 is a top-down three-dimensional isometric view of a wall protector extender according to the present design.
FIG. 9 is a bottom isometric view thereof;
FIG. 10 is a front elevational view thereof, the rear elevational view being a mirror image of FIG. 10;
FIG. 11 is a top plan view thereof; and,
FIG. 12 is a bottom plan view thereof.
Broken lines in dash-dash illustrate unclaimed portions of the wall protector extender.
Broken lines in dash-dot illustrate unclaimed boundary lines between claimed and unclaimed portions of the wall protector extender.

(56) **References Cited**

U.S. PATENT DOCUMENTS

- D27,468 S 8/1897 Smith
 - D28,857 S 6/1898 Taplin
 - D89,325 S 2/1933 Wolfman
 - D122,800 S 10/1940 Mann et al.
 - D235,620 S 7/1975 Forseth
- (Continued)

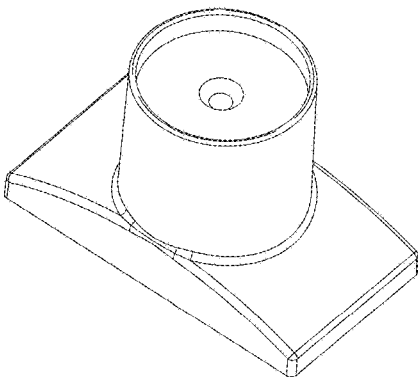
OTHER PUBLICATIONS

“Low—Profile Wall Nanny”, posted at amazon.conn , posting datev.Aug. 8 , 2017 , [online], [site visited Mar. 23, 2018], Available from Internet , URL : https : //www.amazon.conn/dp/B073XNMDNX (Year :2017).

(Continued)

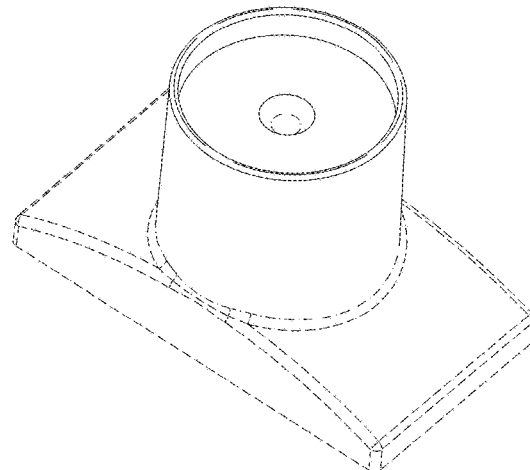
1 Claim, 12 Drawing Sheets

Matter enclosed in heavy brackets [] appears in the original patent but forms no part of this reissue; matter printed in italics indicates the additions made by reissue.



(Amended)

(NEW)



(56)

References Cited

U.S. PATENT DOCUMENTS

4,042,199 A * 8/1977 Winkler A47B 91/00
5/310

D288,291 S 2/1987 Angle
D288,525 S 3/1987 Angle
4,694,863 A * 9/1987 Klopp F16L 57/005
138/96 R

D324,170 S 2/1992 Owens et al.
D328,419 S * 8/1992 Brayford E05F 5/06
D8/402

D329,590 S * 9/1992 Chapman D8/322
D336,843 S * 6/1993 Hurst D8/374
D352,889 S 11/1994 Crowther et al.
D366,616 S * 1/1996 Knickerbocker D9/445
D368,022 S 3/1996 Angle
D379,922 S * 6/1997 Adams D8/402
D403,750 S 1/1999 Fabian
D404,992 S * 2/1999 Sittig A47B 91/00
D8/374

D407,303 S 3/1999 Engberg
D412,106 S 6/1999 Kennard, IV
D418,745 S 1/2000 Berger
D423,340 S * 4/2000 Sittig D8/374
D433,320 S 11/2000 Ware et al.
D438,784 S * 3/2001 Berger D8/402
6,295,697 B1 * 10/2001 Simon E05F 5/02
16/86 A

D481,624 S 11/2003 Miskill
D481,652 S 11/2003 Kamysiak
D486,061 S * 2/2004 Mullins D8/400
6,715,840 B2 * 4/2004 Martin A47C 7/002
297/463.1

D493,095 S * 7/2004 Sittig D8/374
D498,412 S * 11/2004 Pehta D8/374
6,938,966 B1 9/2005 Rouwhorst et al.
D526,189 S 8/2006 Haymond
7,243,395 B2 * 7/2007 Haymond E05F 5/06
16/86 B

D553,487 S 10/2007 Quan
7,412,751 B2 * 8/2008 Forrest E05F 5/06
16/85

D605,935 S * 12/2009 Zeyfang D8/402
D652,289 S * 1/2012 Vu D6/709
D668,138 S 10/2012 Aquil
D677,149 S * 3/2013 Hammer D8/402
D683,425 S * 5/2013 Koiwa D23/214
D721,418 S * 1/2015 Koiwa D23/214
D721,419 S * 1/2015 Koiwa D23/214
D741,690 S 10/2015 Collins, IV
D743,852 S 11/2015 Rouzaud
D772,695 S 11/2016 Burge
D772,696 S 11/2016 Burge
D783,386 S 4/2017 Collins, IV
D793,786 S * 8/2017 Rawls-Meehan D6/709
D799,215 S * 10/2017 Pacha D3/318
D821,191 S * 6/2018 Hancock D8/402
D829,091 S * 9/2018 Hancock D8/402
D837,638 S * 1/2019 Sargent D8/380
D837,910 S * 1/2019 Norcross D21/715
D862,212 S * 10/2019 Moriarty D8/374
D889,941 S * 7/2020 McCoy D8/354
D890,598 S * 7/2020 Chase D8/374

2004/0129186 A1 7/2004 Curiger
2004/0221539 A1 11/2004 Rouail
2008/0135567 A1 6/2008 McGee
2010/0132161 A1 * 6/2010 Vu E05F 5/08
16/404

2012/0023707 A1 2/2012 Edwards
2015/0305318 A1 * 10/2015 Moriarty F15B 15/18
43/113

2016/0352054 A1 12/2016 Xiang et al.
2017/0231399 A1 8/2017 Backus, III
2020/0026150 A1 * 1/2020 Decker G03B 11/041

OTHER PUBLICATIONS

“Wall Protector 2x2”, posted at hdsuppliesolutions.com , posting date Internnoett, UgiRvLen : , h[t otmplsi :n/ e/]h , d[ls suiptpe lvyisoiiltuetdi Moanrs . . . c203n n, /2s0h1o8p/] p. /Awvaalill- apbrloet eferctoomr2-x-2-self- adhesive-ivory-package-of-5- p807851 (Year : 2018).

“Wall Saver for Pressure Gates , 2 Pack , by Safety Innovations”, www.amazon.com product search , [https://www.amazon.com/dp/B01MXIYINK5/ref=sspa_dk_detail_1?psc=1](https://www.amazon.com/Wall-Saver - Pressure - Gates - Pack / dp / BOORYWO8BY / ref = sr_1_6_a_it ? ie =UTF8 & qid = 1484754901 & sr = 8-6 & keywords = wall + saver , Jan. 18, 2017 , 1-14.</p>
<p>“Newkiton 4 Pcs/Set Wall Guard for Pressure Gates”, posted at amazon.com, posting date not given, [online], [site visited Mar. 23, 2018.] Available from Internet, URL: <a href=) (Year: 2017).

“Wall Saver for Pressure gates, 2 Pack, by Safety Innovations”, www.amazon.com product search, URL: https://www.amazon.com/Wall-Saver-Pressure-Gates-Pack/dp/B00RYWO8BY/ref=sr_1_6_a_it?e=UTF8&qid=1484754901&sr=8-6&keywords=wall+saver, Jan. 18, 2017, 1-14.

Baby Gate Wall Protector, Date Visited: Apr. 20, 2021, Wall Nanny, Date Available: Apr. 20, 2021, www.wallnanny.com (Year: 2021).*

Wall Door Knob Bumpers, Date Visited: Apr. 20, 2021, D. Lawless Hardware, Date Available: Apr. 20, 2021, <https://www.dlawlesshardware.com/knobbumper.html> (Year: 2021).*

Wall Nanny Amazon, Date Visited: Apr. 20, 2021, Amazon, Date Available: Nov. 14, 2019, <https://www.amazon.co.uk/Wall-Nanny-Extender-Extension-Stabilizes/dp/B081JB81L6> (Year: 2019).*

Wall Nanny Extender Delivers Options for Protecting, Date Visited: Apr. 15, 2021, Marketersmedia.com, Date Available: Feb. 25, 2020, <https://marketersmedia.com/wall-nanny-extender-delivers-options-for-protecting-parents-most-valuable-assets/88947676> (Year: 2020).*

“Baby Gate Wall Cups”, posted at amazon.com, posting date not given, [online], [site visited Mar. 23, 2018]. Available from Internet, URL: <https://www.amazon.com/Bumpers-Doorway-Baseboard-Pressure-Mounted/dp/B01L8B1RZG/> (Year: 2018).

“Baby Gate Wall Protector Cups”, posted at amazon.com, posting date not given, [online], [site visited Mar. 23, 2018]. Available from Internet, URL: <https://www.amazon.com/dp/B077M5ZD8L/> (Year: 2018).

“Low-Profile Wall Nanny”, posted at amazon.com, posting date Aug. 8, 2017, [online], [site visited Mar. 23, 2018]. Available from Internet, URL: <https://www.amazon.com/dp/B073XNMDNX/> (Year: 2017).

“Pressure Gate Wall Protector with Motion Sensor LED Nightlight”, posting date not given, [online], [site visited Mar. 23, 2018]. Available for internet, URP: <https://www.amazon.com/Indoor-Pressure-Protector-Motion-Nightlight/B06X16W1ZX> (Year: 2018).

“Prime Line Hexagon Wall Protector”, posted at homedepot.com, posting date not given, [online], [site visited Mar. 23, 2018]. Available from Internet, URL: <https://www.homedepot.com/p/Prinne-Line-5-in-Hexagon-Wall-Protector-U-9140/100546208> (Year: 2018).

“Wall Nanny”, posted at amazon.com, posting date Jan. 20, 2017, [online], [site visited Mar. 23, 2018]. Available from Internet, URL: <https://www.amazon.com/Vall-Nanny-Pack-Protector-Spindles/dp/B06XK2T96P/> (Year: 2017).

* cited by examiner

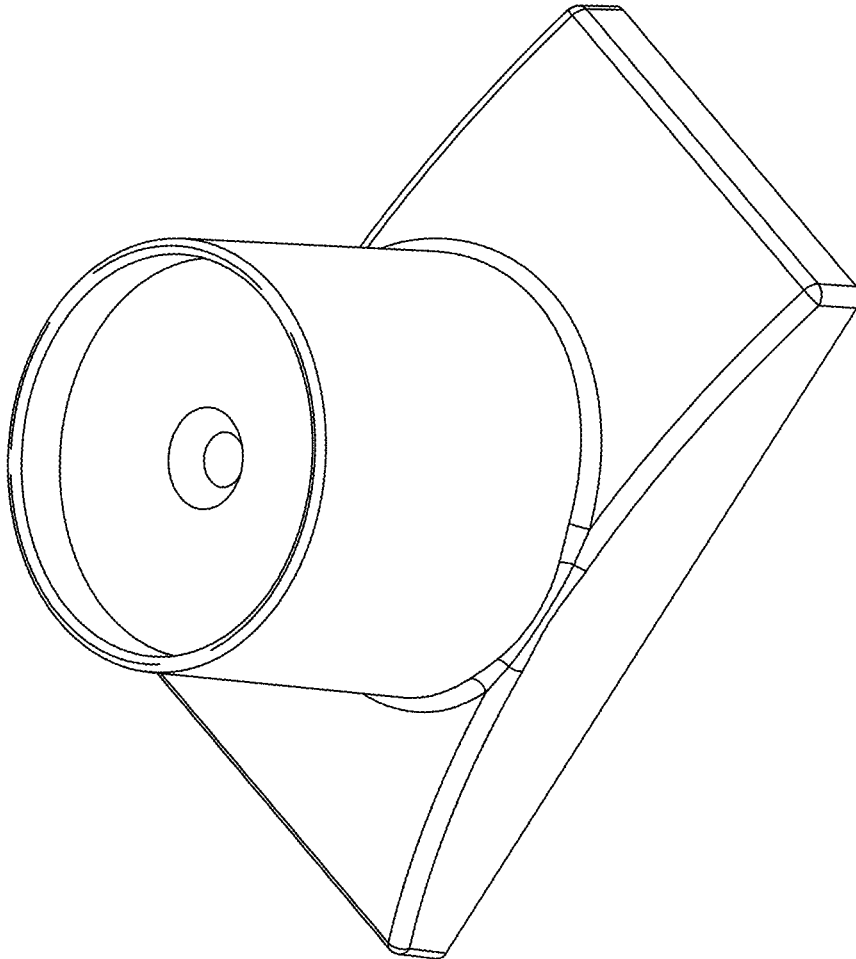


FIG. 1
(Amended)

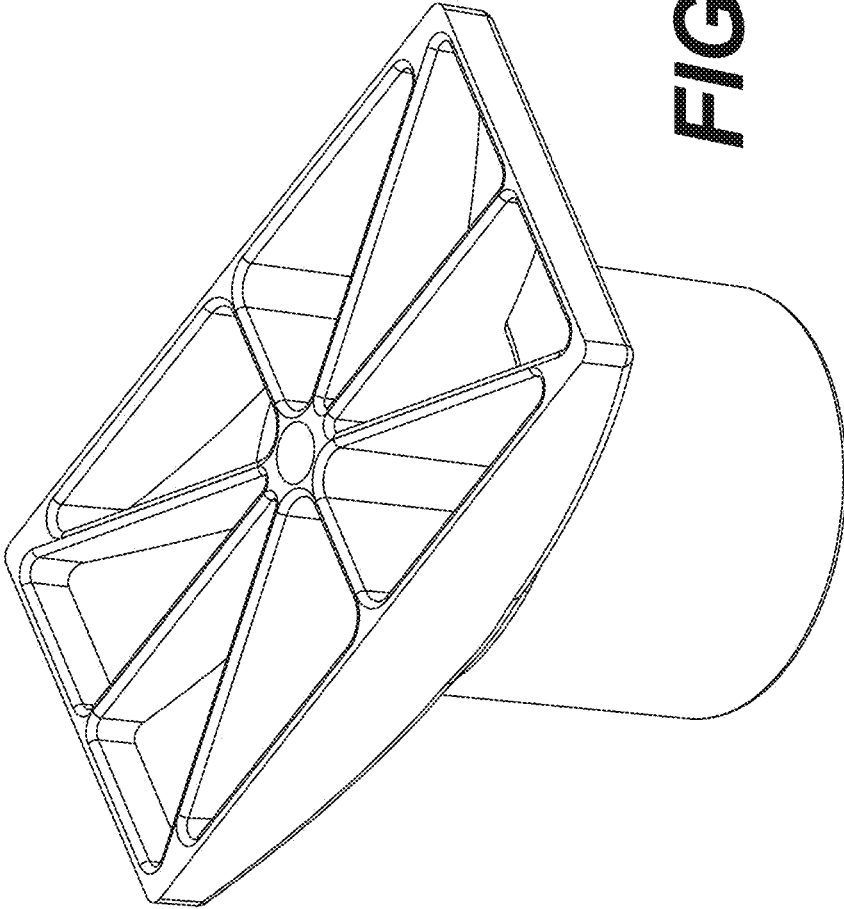


FIG. 2

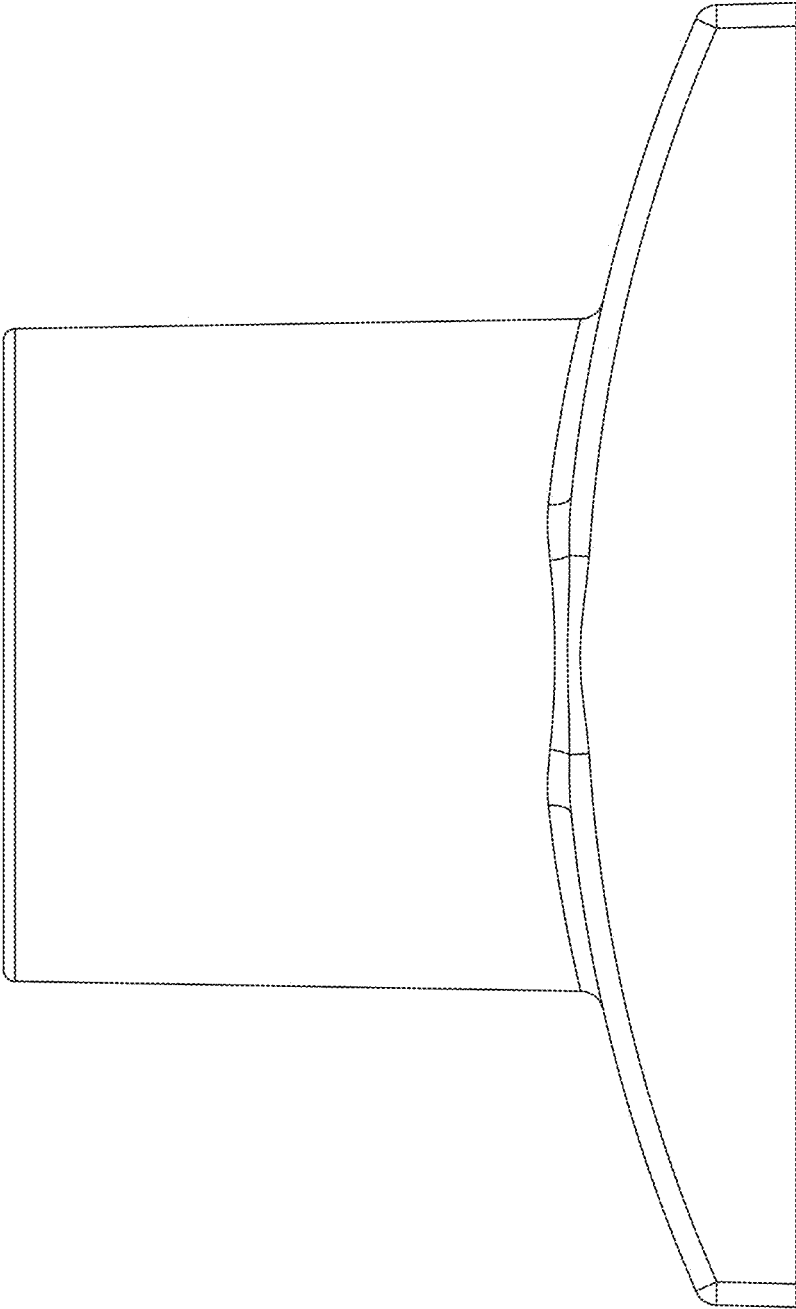


FIG. 3

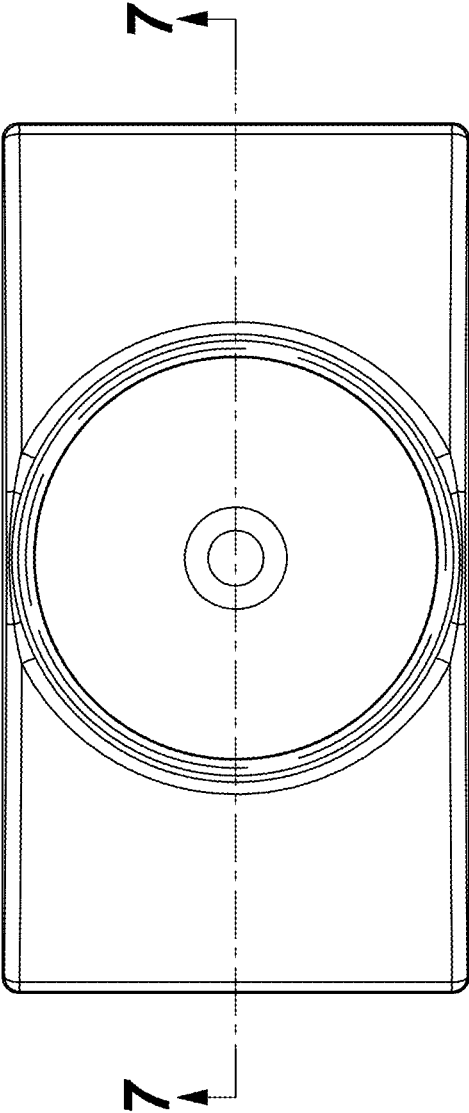


FIG. 4
(Amended)

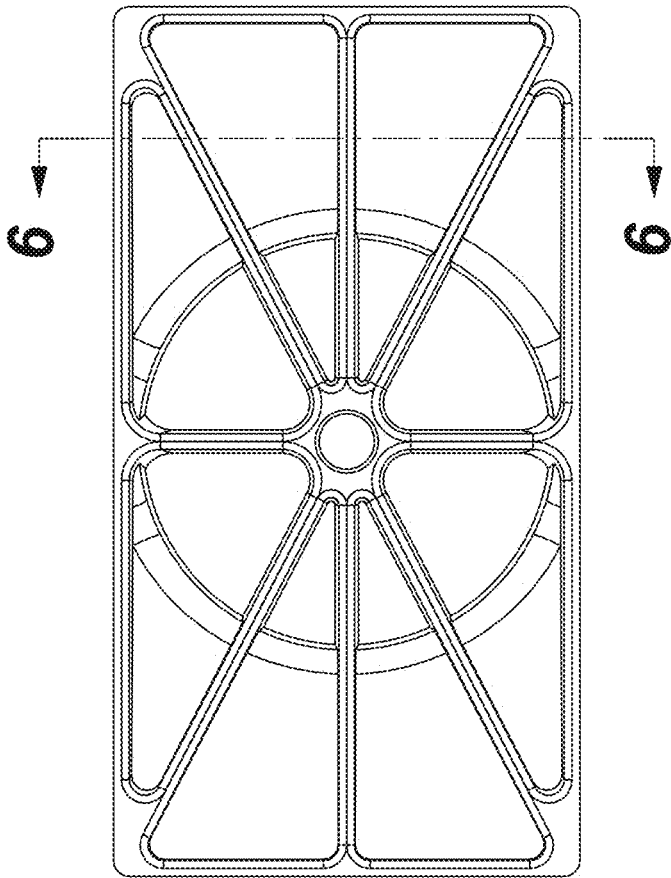


FIG. 5

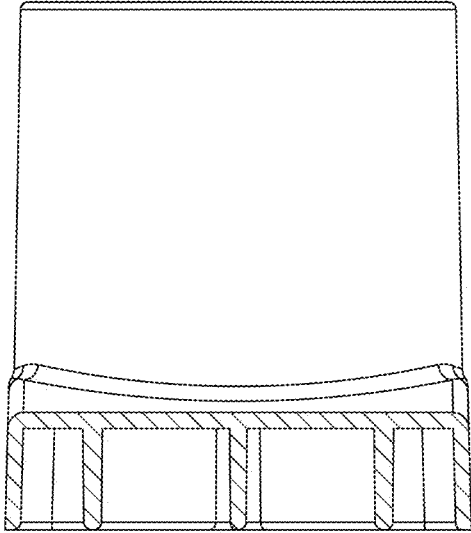


FIG. 6

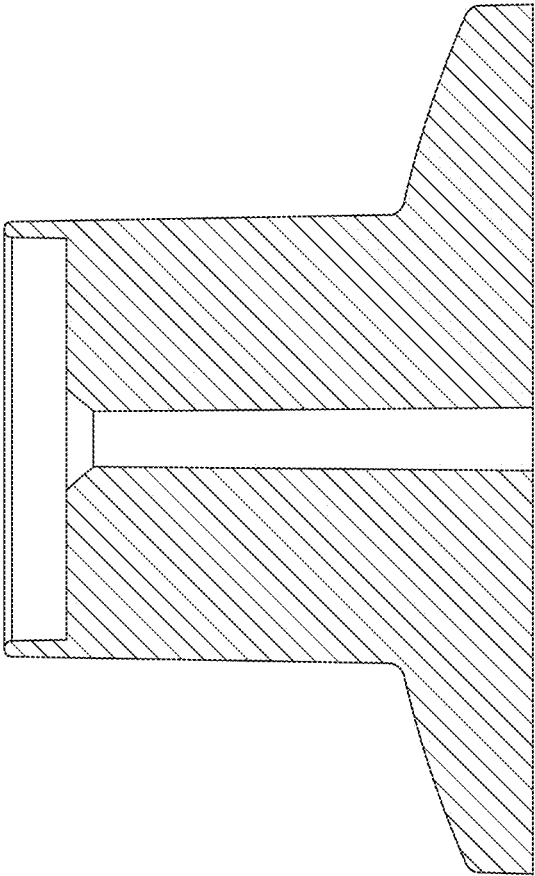


FIG. 7

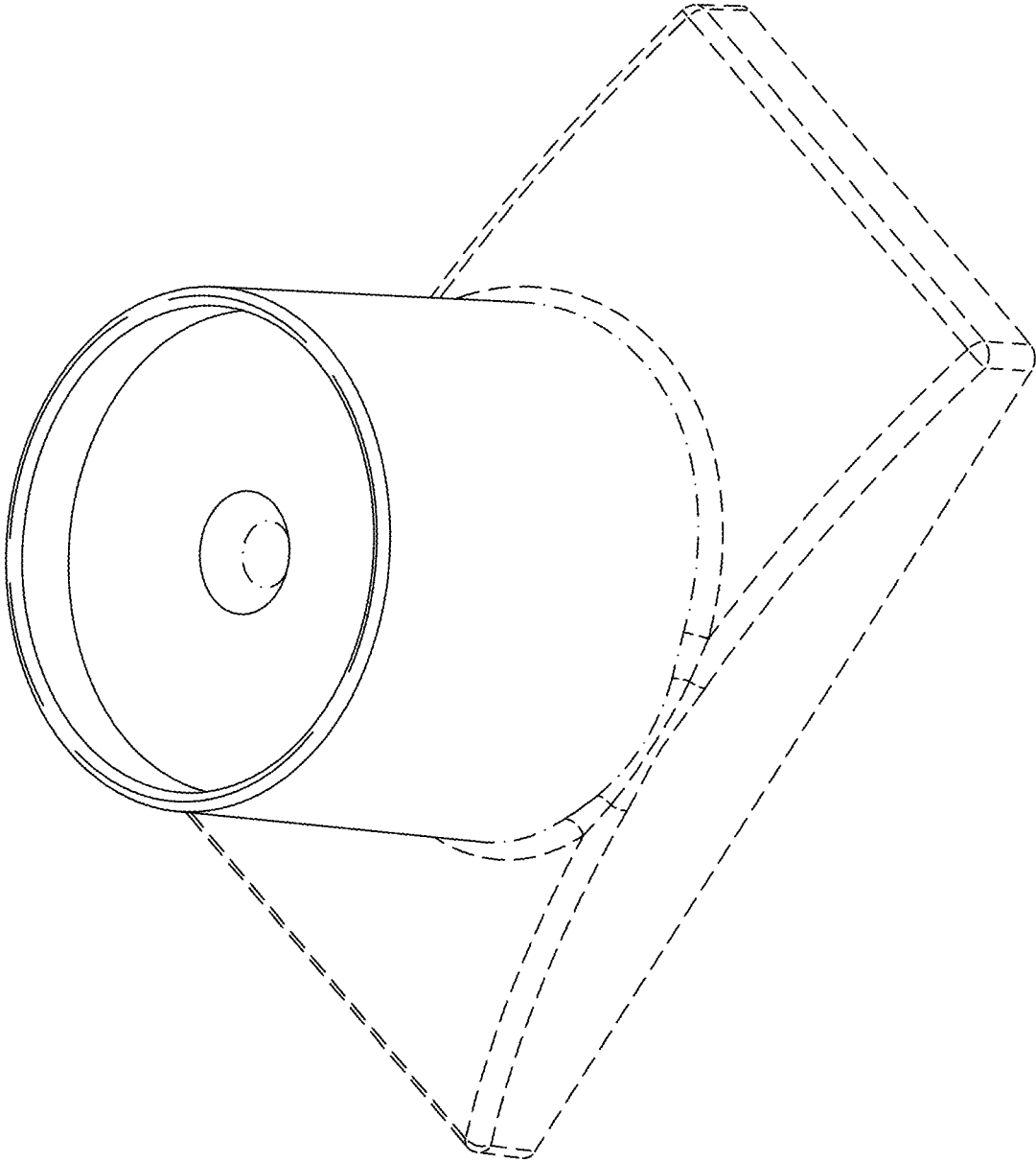


FIG. 8
(NEW)

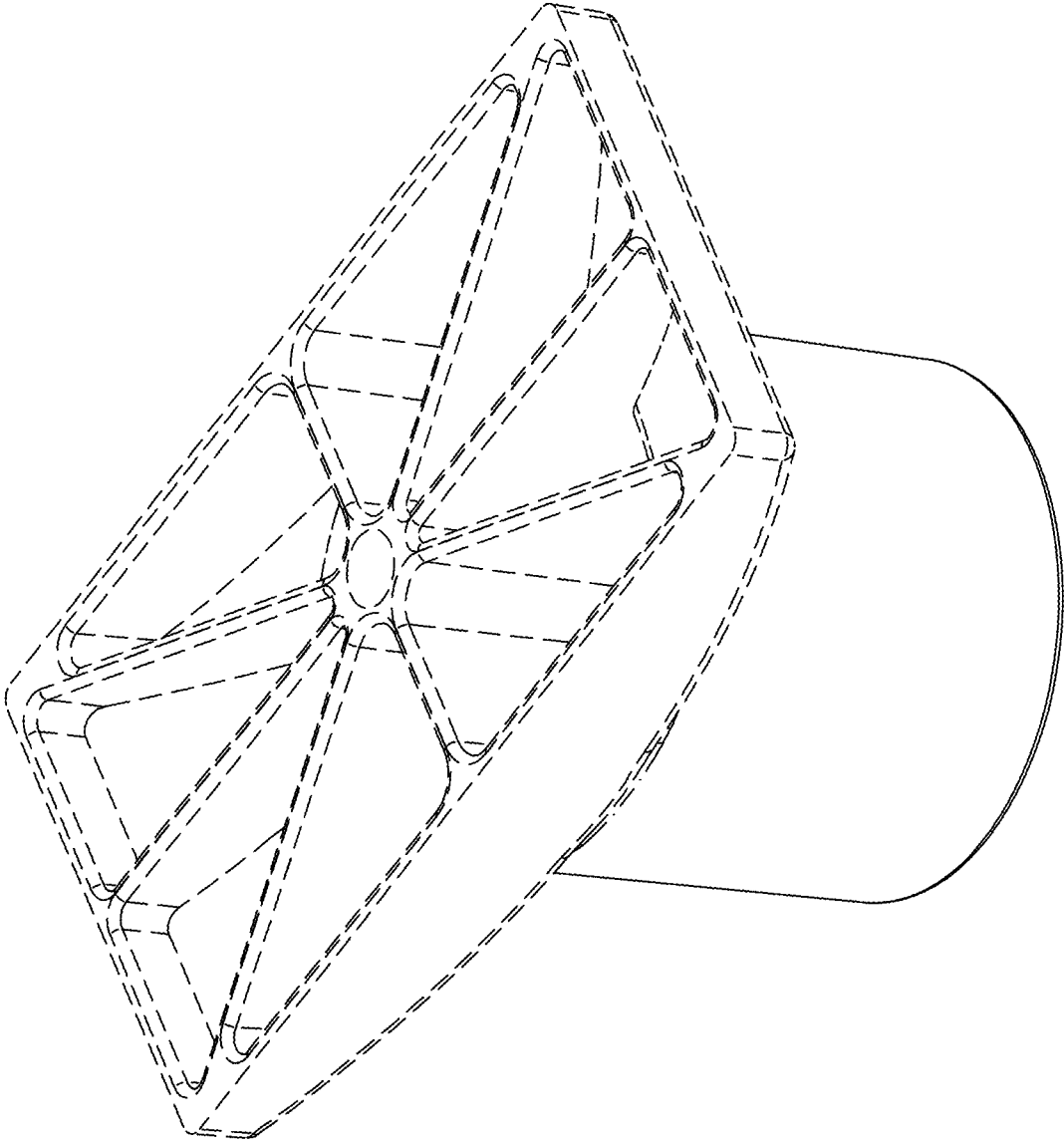


FIG. 9
(NEW)

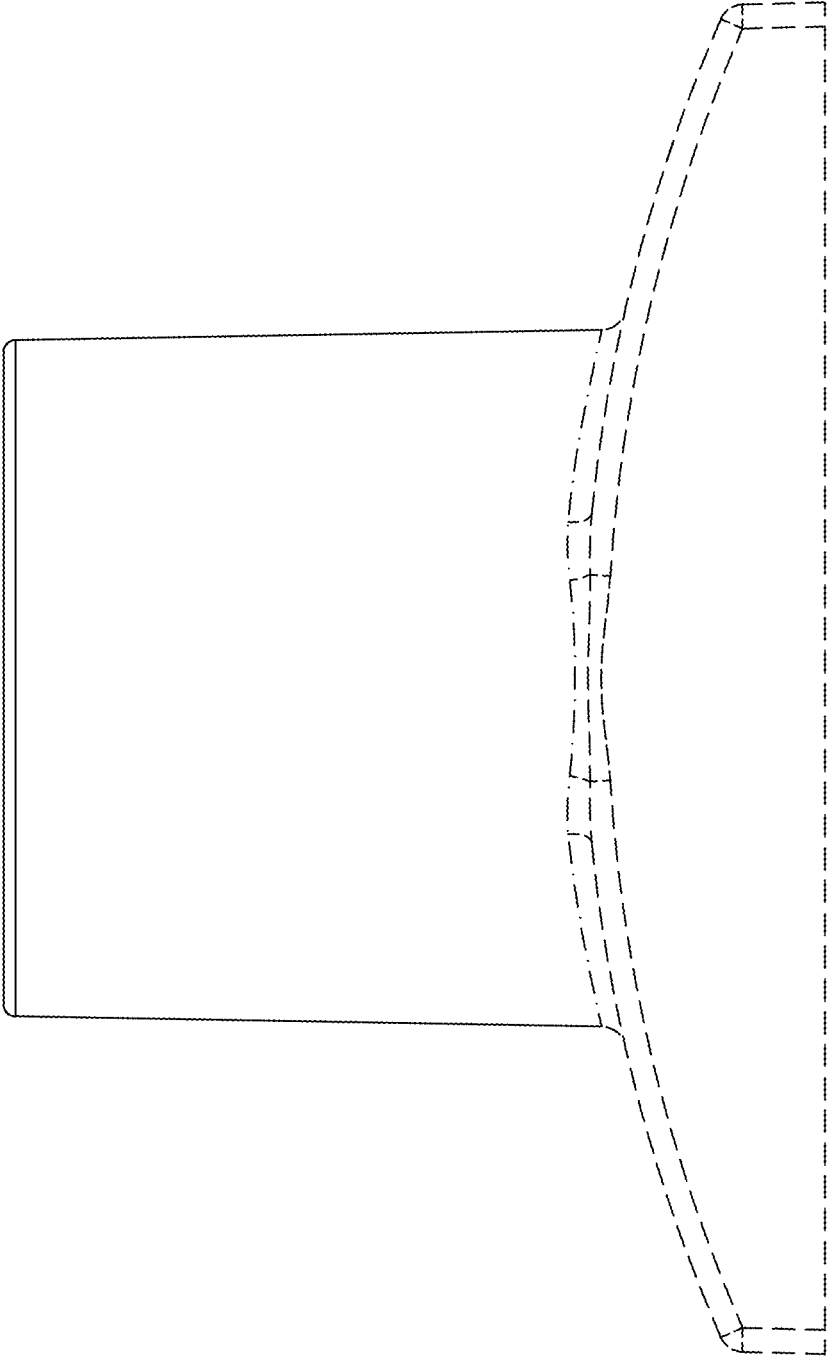


FIG. 10
(NEW)

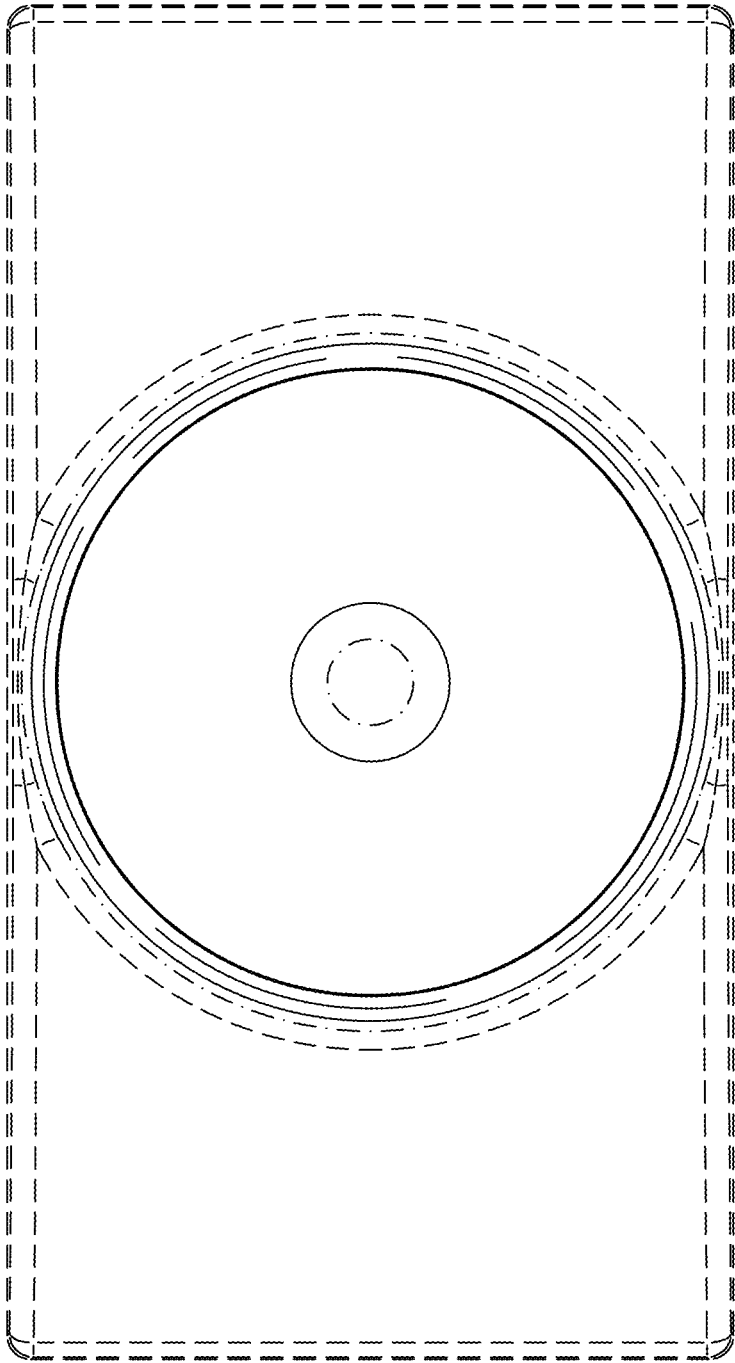


FIG. 11
(NEW)

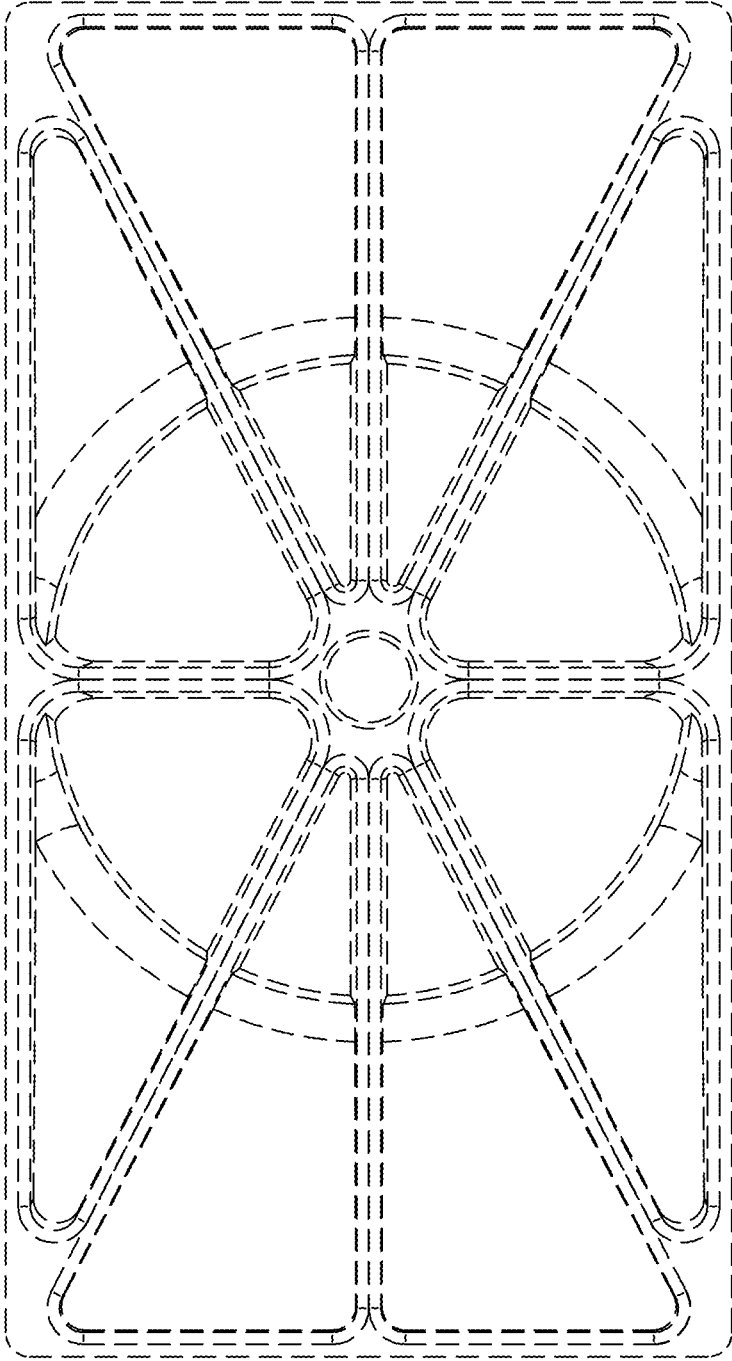


FIG. 12
(NEW)