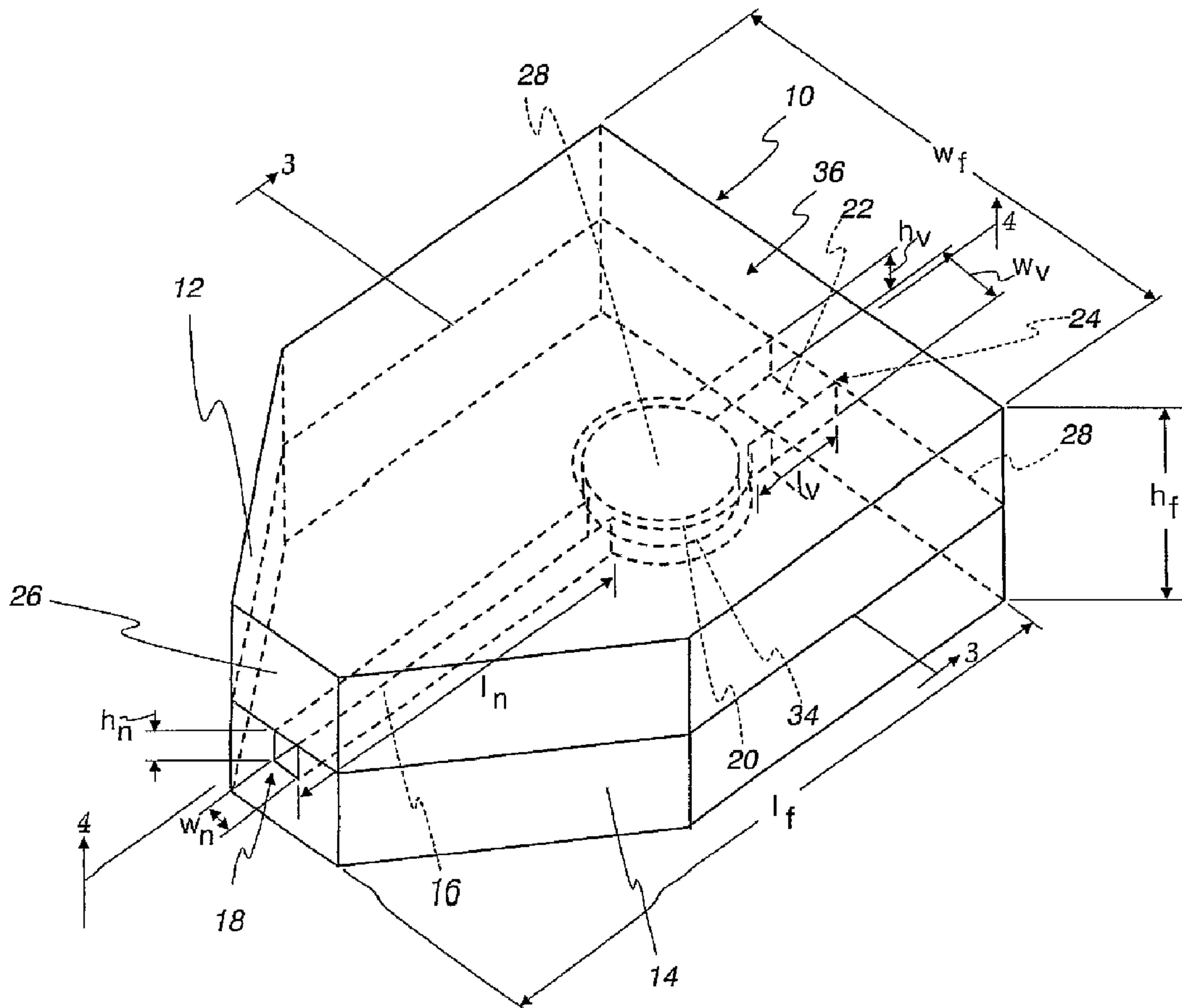




(86) Date de dépôt PCT/PCT Filing Date: 2004/10/29  
 (87) Date publication PCT/PCT Publication Date: 2005/05/12  
 (85) Entrée phase nationale/National Entry: 2006/04/18  
 (86) N° demande PCT/PCT Application No.: US 2004/036330  
 (87) N° publication PCT/PCT Publication No.: 2005/043134  
 (30) Priorité/Priority: 2003/10/30 (US60/515,338)

(51) Cl.Int./Int.Cl. *G01N 21/03* (2006.01),  
*B81B 1/00* (2006.01), *B01L 3/00* (2006.01)  
 (71) Demandeur/Applicant:  
BAYER HEALTHCARE LLC, US  
 (72) Inventeur/Inventor:  
DOSMANN, ANDREW J., US  
 (74) Agent: OSLER, HOSKIN & HARCOURT LLP

(54) Titre : CUVETTE OPTIQUE A CONSTRUCTION A PLATEAU ET Puits  
 (54) Title: OPTICAL CUVETTE WITH PLATFORM-AND-WELL CONSTRUCTION



(57) **Abrégé/Abstract:**

Formats for optical analysis of fluid samples are provided with platforms and wells for contacting fluid samples and bringing reagents in contact with fluid samples. Formats may be made in opposing platform-and-well constructions, allowing a platform

**(57) Abrégé(suite)/Abstract(continued):**

protruding from one format member to enter a well contained within an opposing format member. A sample fill nose accepts sample fluid from a sample collection opening and transports the sample fluid through the format.

## (12) INTERNATIONAL APPLICATION PUBLISHED UNDER THE PATENT COOPERATION TREATY (PCT)

(19) World Intellectual Property  
Organization  
International Bureau



(43) International Publication Date  
12 May 2005 (12.05.2005)

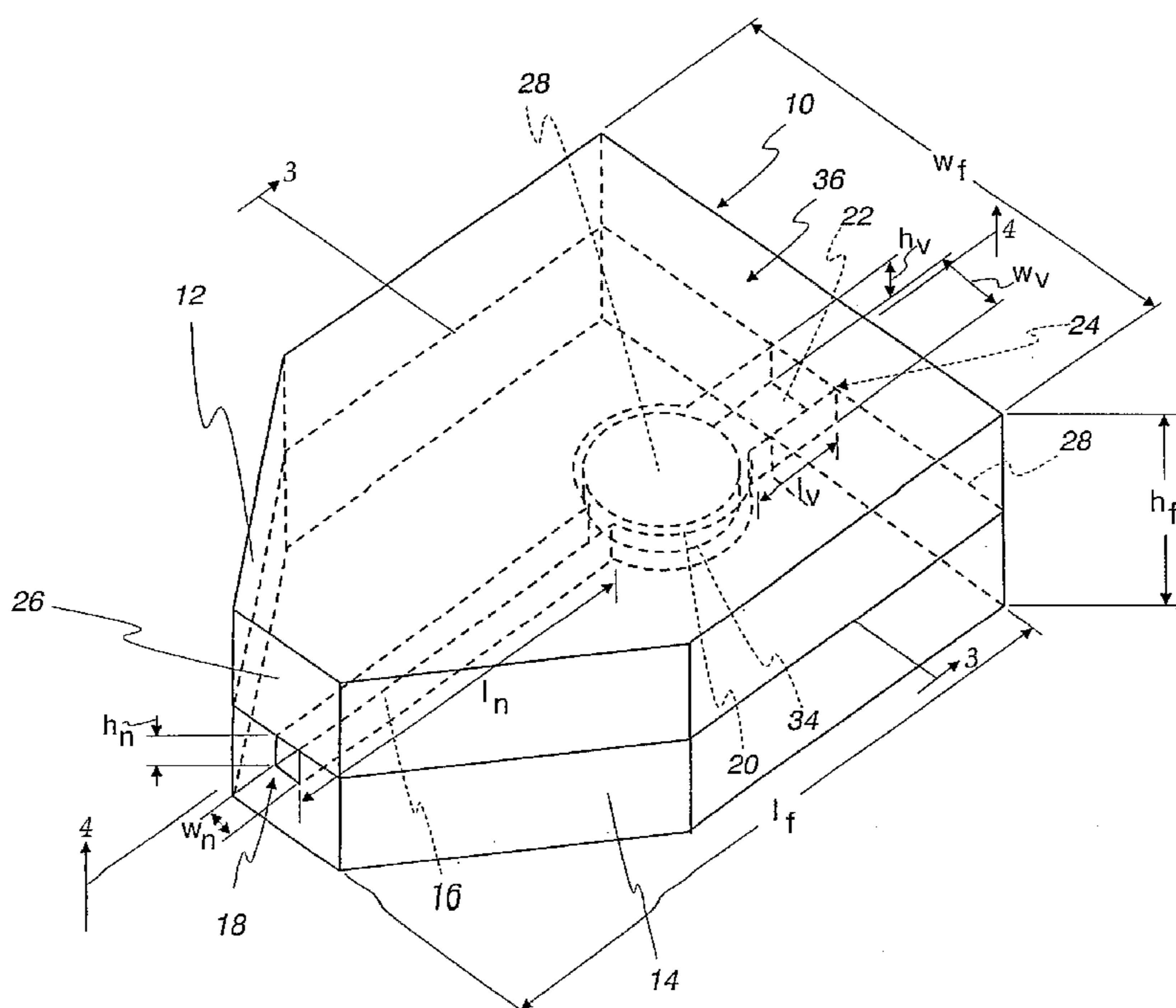
PCT

(10) International Publication Number  
**WO 2005/043134 A1**

- (51) International Patent Classification<sup>7</sup>: **G01N 21/03**, B81B 1/00, B01L 3/00
- (21) International Application Number: PCT/US2004/036330
- (22) International Filing Date: 29 October 2004 (29.10.2004)
- (25) Filing Language: English
- (26) Publication Language: English
- (30) Priority Data:  
60/515,338 30 October 2003 (30.10.2003) US
- (71) Applicant (for all designated States except US): **BAYER HEALTHCARE LLC** [US/US]; 1884 Miles Avenue, P.O. Box 40, Elkhart, Indiana 46515-0040 (US).
- (72) Inventor; and
- (75) Inventor/Applicant (for US only): **DOSMANN, Andrew, J.** [US/US]; 50607 Cherry Road, Granger, Indiana 46530 (US).
- (74) Agents: **GATZ, John, C.** et al.; Jenkins & Gilchrist, a Professional Corporation, 225 W. Washington Street, Suite 2600, Chicago, IL 60606-3418 (US).
- (81) Designated States (unless otherwise indicated, for every kind of national protection available): AE, AG, AL, AM, AT, AU, AZ, BA, BB, BG, BR, BW, BY, BZ, CA, CH, CN, CO, CR, CU, CZ, DE, DK, DM, DZ, EC, EE, EG, ES, FI, GB, GD, GE, GH, GM, HR, HU, ID, IL, IN, IS, JP, KE, KG, KP, KR, KZ, LC, LK, LR, LS, LT, LU, LV, MA, MD, MG, MK, MN, MW, MX, MZ, NA, NI, NO, NZ, OM, PG, PH, PL, PT, RO, RU, SC, SD, SE, SG, SK, SL, SY, TJ, TM, TN, TR, TT, TZ, UA, UG, US, UZ, VC, VN, YU, ZA, ZM, ZW.
- (84) Designated States (unless otherwise indicated, for every kind of regional protection available): ARIPO (BW, GH, GM, KE, LS, MW, MZ, NA, SD, SL, SZ, TZ, UG, ZM, ZW), Eurasian (AM, AZ, BY, KG, KZ, MD, RU, TJ, TM), European (AT, BE, BG, CH, CY, CZ, DE, DK, EE, ES, FI, FR, GB, GR, HU, IE, IT, LU, MC, NL, PL, PT, RO, SE, SI, SK, TR), OAPI (BF, BJ, CF, CG, CI, CM, GA, GN, GQ, GW, ML, MR, NE, SN, TD, TG).
- Declarations under Rule 4.17:**
- as to the applicant's entitlement to claim the priority of the earlier application (Rule 4.17(iii)) for all designations
  - of inventorship (Rule 4.17(iv)) for US only

[Continued on next page]

(54) Title: OPTICAL CUVETTE WITH PLATFORM-AND-WELL CONSTRUCTION



(57) Abstract: Formats for optical analysis of fluid samples are provided with platforms and wells for contacting fluid samples and bringing reagents in contact with fluid samples. Formats may be made in opposing platform-and-well constructions, allowing a platform protruding from one format member to enter a well contained within an opposing format member. A sample fill nose accepts sample fluid from a sample collection opening and transports the sample fluid through the format.

WO 2005/043134 A1

**WO 2005/043134 A1**



**Published:**

- *with international search report*
- *before the expiration of the time limit for amending the claims and to be republished in the event of receipt of amendments*

*For two-letter codes and other abbreviations, refer to the "Guidance Notes on Codes and Abbreviations" appearing at the beginning of each regular issue of the PCT Gazette.*

## OPTICAL CUVETTE WITH PLATFORM-AND-WELL CONSTRUCTION

### FIELD OF THE INVENTION

The present invention relates generally to electro-chemical analysis and more specifically to an optical format for fluid analysis.

### BACKGROUND OF THE INVENTION

5           Optical testing of samples has become increasingly popular in recent years due to the speed, accuracy, and efficiency with which test results can be acquired through optical testing. Because of these benefits, optical testing is commonly used in medical applications such as glucose testing, with the sample fluid being blood. Generally, optical testing in medical applications involves allowing light to interact with a sample.  
10       In some applications, the sample may be combined with a reagent for testing. Optical testing may be accomplished using “formats,” which allow for the collection of a sample, combination of the sample with a reagent, and optical testing of the sample.

          Several problems arise in optical testing applications. A common problem with sample testing is the necessary sample size to allow reaction with a reagent and enable  
15       accurate testing. Many optical formats require sample sizes of 300 nl or greater. Further, optical formats often result in performance errors due to poor mechanical tolerances of the formats. When a reagent is used with an optical format, the reagent may be inconsistently placed within the format. For example, an improper amount of reagent or reagent placed in the wrong location may affect test accuracy. Formats resulting in  
20       improper control of sample volume—for example, deposition of an insufficient sample volume within a test area—decrease the accuracy of many prior art optical testing systems. Further, the costs of manufacturing optical formats can be high, and resulting formats are often larger than desired.

          In order to increase the efficiency and accuracy of optical sample testing, it is  
25       desirable to provide an improved optical format.

### SUMMARY OF THE INVENTION

          According to one embodiment of the present invention, an optical format allows a very small sample volume to result in accurate optical testing.

          According to some embodiments of the present invention, an optical format is

provided which allows accurate optical testing of sample volumes of approximately 50 nl.

According to some embodiments of the present invention, an optical format consists of two pieces designed to join into a single format allowing accurate testing of small optical volumes.

According to some embodiments of the present invention, optical formats allow the consistent placing of reagent within the optical format.

According to some embodiments of the present invention, reagent placement is facilitated by the use of a mesa upon which a reagent is placed during manufacturing of the format.

According to some embodiments of the present invention, sample volume is metered to a required amount within an optical format before the sample is allowed to react with a reagent within the optical format.

According to some embodiments of the present invention, an optical format is manufactured using continuous web processing to enable high-speed production of optical formats at low cost.

### **BRIEF DESCRIPTION OF THE DRAWINGS**

FIG. 1 is a perspective view of an optical format according to one embodiment of the present invention;

FIG. 2 is an exploded perspective view of an optical format according to one embodiment of the present invention;

FIG. 3 is a top cross-sectional view along the line 3-3 of the optical format of FIG. 1; and

FIG. 4 is a side cross-sectional view along the line 4-4 of the optical format of FIG. 1.

While the invention is susceptible to various modifications and alternative forms, specific embodiments are shown by way of example in the drawings and will be described in detail herein. However, it should be understood that the invention is not intended to be limited to the particular forms disclosed. Rather, the invention is to cover all modifications, equivalents, and alternatives falling within the spirit and scope of the invention as defined by the appended claims.

**DETAILED DESCRIPTION OF THE ILLUSTRATED EMBODIMENTS**

FIG. 1 shows an optical format 10 according to one embodiment of the present invention. The optical format 10 may be used in the collection and optical testing of samples, for example in medical testing applications such as glucose testing or testing of other analytes in biological fluid analysis. The optical format 10 may be created using a variety of fabrication techniques, such as micro-molding, coining, or UV replication processes, and may be constructed of such materials as polycarbonate, polystyrene, and polyester. Formats according to the present invention may be individually cut out of sheet material, cut into one- or two-dimensional arrays, or cut into a circular disc arrangement. Continuous web processing may be used to manufacture formats and format members according to the present invention, resulting in lower processing costs.

The optical format 10 comprises a first format member 12 and a second format member 14. Though the first and second format members 12 and 14 are discussed in relation to top and bottom directions as shown in FIG. 1, it is to be understood that these labels are for the purposes of discussion and that the features of optical formats according to the present invention may be alternatively oriented in space—for example, features discussed in combination with the first format member 12 may be placed on a lower format portion according to some embodiments of the present invention.

The second format member 14 shown in FIG. 1 is provided with a sample fill nose 16. The sample fill nose 16 provides for the collection of sample fluid from a sample collection opening 18 and transport of the sample fluid from the sample collection opening 18 to a well 20. The well 20 is connected to a vent 22 provided with a vent opening 24. In the embodiment shown in FIG. 1, the sample collection opening 18 is provided on a front face 26 of the optical format, and the vent opening 24 is provided on a back face 28 of the optical format. According to some embodiments of the present invention, sample collection openings and vent openings may be provided on other faces of optical formats, or at face interfaces of optical formats, as required by particular applications of the optical format.

According to some embodiments of the present invention, the sample fill nose 16 transports sample fluid from the sample collection opening 18 to the well 20 via capillary action. The sample fill nose 16 is preferably provided with dimensions such that the open volume of the sample fill nose 16 is approximately equal to the volume of sample

4

fluid required for analysis within the well 20.

In an embodiment in which the sample fill nose 16 has a rectangular cross-section, the sample fill nose 16 has a height,  $h_n$ , a width,  $w_n$ , and a length,  $l_n$ . According to one embodiment of the present invention, the volume of sample preferred for testing within the well 20 is approximately 50 nl. In this embodiment, a sample fill nose 16 having a height  $h_n$  of approximately 100  $\mu\text{m}$ , a width  $w_n$  of approximately 200  $\mu\text{m}$  and a length,  $l_n$ , of approximately 2.4 mm is appropriate to fill the well 20 with the desired amount of sample fluid. Thus, the sample volume is appropriately metered by the sample fill nose 16 during sample collection. According to some embodiments of the present invention, it may be desirable to conduct testing with greater or lesser amounts of fluid, and the well 20 and the sample fill nose 16 may be sized to enable optimum fluid transport to the well 20. The dimensions of the format are dependent on the manufacturing process, but in general the maximum preferred sample volume of 1  $\mu\text{l}$  limits the size of the format.

According to some embodiments of the present invention, a platform 28 is provided on an optical format member. The platform 28 is raised from an inner surface 30 of one of the optical platform members, as shown in FIG. 2. FIGS. 1 and 2 show the platform 28 extending downwardly from the inner surface 30 of the first platform member 12, but it is to be understood that optical formats according to the present invention may employ platforms extending upwardly from a bottom platform member. In the embodiment shown in FIGS. 1 and 2, the platform 28 extends downwardly from the inner surface 30 of the first optical format member 12 and into the well 20 provided in the inner surface 32 of the second optical format member 14.

The platform 28 extends a height  $h_p$  from the inner surface 30 of the first format member 12. The platform 28 may be a circular platform with a diameter  $d_p$ . According to one embodiment of the present invention, the height  $h_p$  of the platform 28 is approximately 50  $\mu\text{m}$  and the diameter  $d_p$  of the platform 28 is approximately 1000  $\mu\text{m}$ , but greater or lesser heights and diameters may be used in specific applications of the present invention. For example, heights ranging from about 25  $\mu\text{m}$  to about 250  $\mu\text{m}$  and diameters ranging from about 500  $\mu\text{m}$  to about 2000  $\mu\text{m}$  are preferred in some embodiments of the present invention.

For the platform 28 to enter the well 20, the well 20 is provided with a diameter,

5

$d_w$  larger than the diameter  $d_p$  of the platform 28. According to one embodiment of the present invention, the diameter  $d_w$  of the well is approximately 1050  $\mu\text{m}$ . Larger or smaller well diameters are possible. For example, well diameters ranging from about 550  $\mu\text{m}$  to about 2050  $\mu\text{m}$  are preferred in some embodiments of the present invention.

5 Further, the well is provided with a depth  $h_w$  that is deeper than the height  $h_p$  of the platform 28, thereby forming a sample testing region 34, most easily seen in FIG. 4. According to one embodiment of the present invention, the sample testing region 34 has a height  $h_t$  of approximately 50  $\mu\text{m}$ . Larger or smaller testing region heights are possible. For example, testing region heights ranging from about 25  $\mu\text{m}$  to about 100  $\mu\text{m}$  are  
10 preferred in some embodiments of the present invention.

The vent 22 extends from the sample testing region 34 toward the rear face 36 of the optical format 10. According to some embodiments of the present invention, the vent 22 serves to ensure capillary movement of sample from the sample collection opening 18 toward the sample testing region 34. The vent 22 of the embodiment shown in FIGS. 1-4  
15 has a rectangular cross-section with a height  $h_v$ , a width  $w_v$  and a length  $l_v$ . According to one embodiment of the present invention, the height  $h_v$  of the vent is approximately 100  $\mu\text{m}$ , the width  $w_v$  of the vent is approximately 500  $\mu\text{m}$ , and the length  $l_v$  of the vent is approximately 400  $\mu\text{m}$ . Other vent dimensions are contemplated in other embodiments of the present invention. For example, vent heights ranging from about 50  $\mu\text{m}$  to about  
20 200  $\mu\text{m}$ , vent widths ranging from about 50  $\mu\text{m}$  to about 200  $\mu\text{m}$ , and vent lengths ranging from about 50  $\mu\text{m}$  to about 500  $\mu\text{m}$  are preferred in some embodiments of the present invention. In addition to increasing capillary force in the capillary gap of the sample testing region 34, the vent 22 may provide an area for sample overflow.

The platform 28 may be provided with a reagent thereon designed to react with  
25 the sample in the sample testing region 34. Reagent may be placed on the platform via pump depositing, or by methods such as printing, pin deposition, or ink jetting. A reagent may be retained on the platform 28 by oven-drying before assembly of the optical format 10. According to one embodiment of the present invention, a reagent is deposited on the platform 28 before the optical format members are joined together. In this  
30 embodiment of the invention, the platform 28 keeps the reagent from spreading beyond the platform 28 or the sample testing region 34. Further, when a reagent is uniformly deposited on the platform 28, a uniform thickness of reagent and a uniform reaction area

are achieved. According to some embodiments of the present invention, reagent combines with a sample within the sample testing region 34 to result in a colorimetric reaction. The resulting color may be analyzed using diffuse reflectance or transmission through the sample.

5           According to some embodiments of the present invention, adhesive is provided between the format members to glue the first format member 12 to the second format member 14. In one embodiment of the present invention, heat-activated optically-clear adhesive is coated onto the inner surface of one or both of the format members for adhesion of the format members.

10           According to some embodiments of the present invention, top and bottom optical format members both comprise optically clear material. These embodiments may be used for optical transmission or diffuse reflectance analysis. Alternatively, one of the optical format members may comprise optically reflective material. Embodiments using optically reflecting material may be used in optical analysis based on diffused or reflected  
15 light from a sample.

The formats and methods of the present invention allow for the efficient construction of small and reliable optical formats. As shown in FIG. 1, a format has a format length  $l_f$ , a format width  $w_f$ , and a format height  $h_f$ . According to one embodiment of the present invention, the format length is approximately 3.85 mm, the format width is  
20 approximately 3 mm, and the format height is approximately 1 mm. Formats having other dimensions may be preferred in some embodiments of the present invention. For example, format lengths ranging from about 3.00 mm to about 12.5 mm, format widths ranging from about 2.00 mm to about 5.00 mm, and format heights ranging from about 0.50 mm to about 3.00 mm are preferred in some embodiments of the present invention.  
25 Optical formats according to the present invention may be designed for handling a wide range of sample fluid volumes. For example, sample volumes from about 5 nl to about 1000 nl are contemplated in some embodiments of the present invention. While the present invention has been described with reference to one or more particular embodiments, those skilled in the art will recognize that many changes may be made  
30 thereto without departing from the spirit and scope of the present invention.

For example, while the present invention has been generally described as directed to medical applications it is to be understood that other optical fluid testing applications

7

might employ the principles of the invention. Each of these embodiments and obvious variations thereof is contemplated as falling within the spirit and scope of the claimed invention, which is set forth in the following claims.

**WHAT IS CLAIMED IS:**

1. A format for optical testing of a sample comprising:  
a first format member comprising a first inner surface and a platform extending a  
distance from said inner surface; and  
5 a second format member comprising a second inner surface and a well disposed  
within said second inner surface, said well being shaped to accept said platform of said  
first format member within said well.
2. The format of claim 1 further comprising a sample fill nose disposed within said  
10 second format member and extending along said second inner surface from a sample  
collection opening at a first end of said sample fill nose to intersect with said well at a  
second end of said sample fill nose.
3. The format of claim 2 further comprising a vent disposed within said second  
15 format member and extending along said second inner surface from a vent opening at a  
first end of said vent to intersect with said well at a second end of said vent.
4. The format of claim 3 wherein said vent intersects with said well at an area  
approximately opposing an intersection of said sample fill nose with said well.  
20
5. The format of claim 1 wherein said platform extends from said first inner surface  
to a platform height and wherein said well extends within said second format member to  
a well depth greater than said platform height, thereby forming a sample testing region  
for accepting said sample.  
25
6. The format of claim 1 wherein said platform is provided with a reagent thereon  
for reacting with said sample.
7. The format of claim 5 wherein said sample testing region has a sample testing  
30 region volume and further comprising a fill nose disposed within said second format  
member and extending from a sample collection opening at a first end to said sample

9

testing region at a second end, said fill nose having a fill nose volume greater than said sample testing region volume, thereby ensuring that sufficient sample volume is available to fill the sample testing region.

- 5 8. A format for optical testing of a sample comprising:  
a first format member comprising a first inner surface and a platform extending to a platform height from said inner surface; and  
a second format member comprising a second inner surface and a well disposed within said second inner surface and extending a well depth below said second inner  
10 surface, said well being shaped to accept said platform of said first format member within said well thereby forming a sample testing region;  
a sample fill nose extending from a sample collection opening at a first end of said sample fill nose to said well at a second end of said sample fill nose; and  
a vent extending from a vent opening at a first end of said vent to said well at a  
15 second end of said vent.
9. The format of claim 8 wherein said platform is cylindrical and has a platform diameter and said well is cylindrical and has a well diameter greater than said platform diameter.  
20
10. The format of claim 8 wherein said sample fill nose is adapted to transport a volume of said sample from said sample collection opening to said sample testing region via capillary action.
- 25 11. The format of claim 9 wherein said volume of said sample is approximately 50 nL.
12. The format of claim 9 wherein said volume of said sample is within the range of from approximately 5 nL to approximately 1000 nL.
- 30 13. The format of claim 9 wherein said vent opening is provided on an opposite side of said format from said sample collection opening.

14. The format of claim 9 wherein said sample fill nose has a sample fill nose width and said vent has a vent width greater than said sample fill nose width.
15. A method of manufacturing a format for optical testing comprising:  
5 providing a first format member comprising a first inner surface and a platform extending to a platform height above said first inner surface;  
providing a second format member comprising:  
a) a second inner surface and a well disposed within said second inner surface and extending to a well depth below said second inner surface,  
10 said well depth being greater than said platform height;  
b) a sample fill nose notch terminating at said well; and  
c) a vent notch terminating at said well; and  
joining said first format member to said second format member by inserting said platform of said first format member into said well of said second format member,  
15 thereby forming a sample testing region.
16. The method of claim 15 further comprising applying a testing reagent to said platform.
- 20 17. The method of claim 15 wherein said sample fill nose notch approximately opposes said vent notch across said well.
18. The method of claim 15 further comprising providing adhesive on one or both of said first and second format members.  
25
19. The method of claim 15 wherein said vent notch has a rectangular cross-section.
20. The method of claim 15 wherein said fill nose notch has a rectangular cross-section.

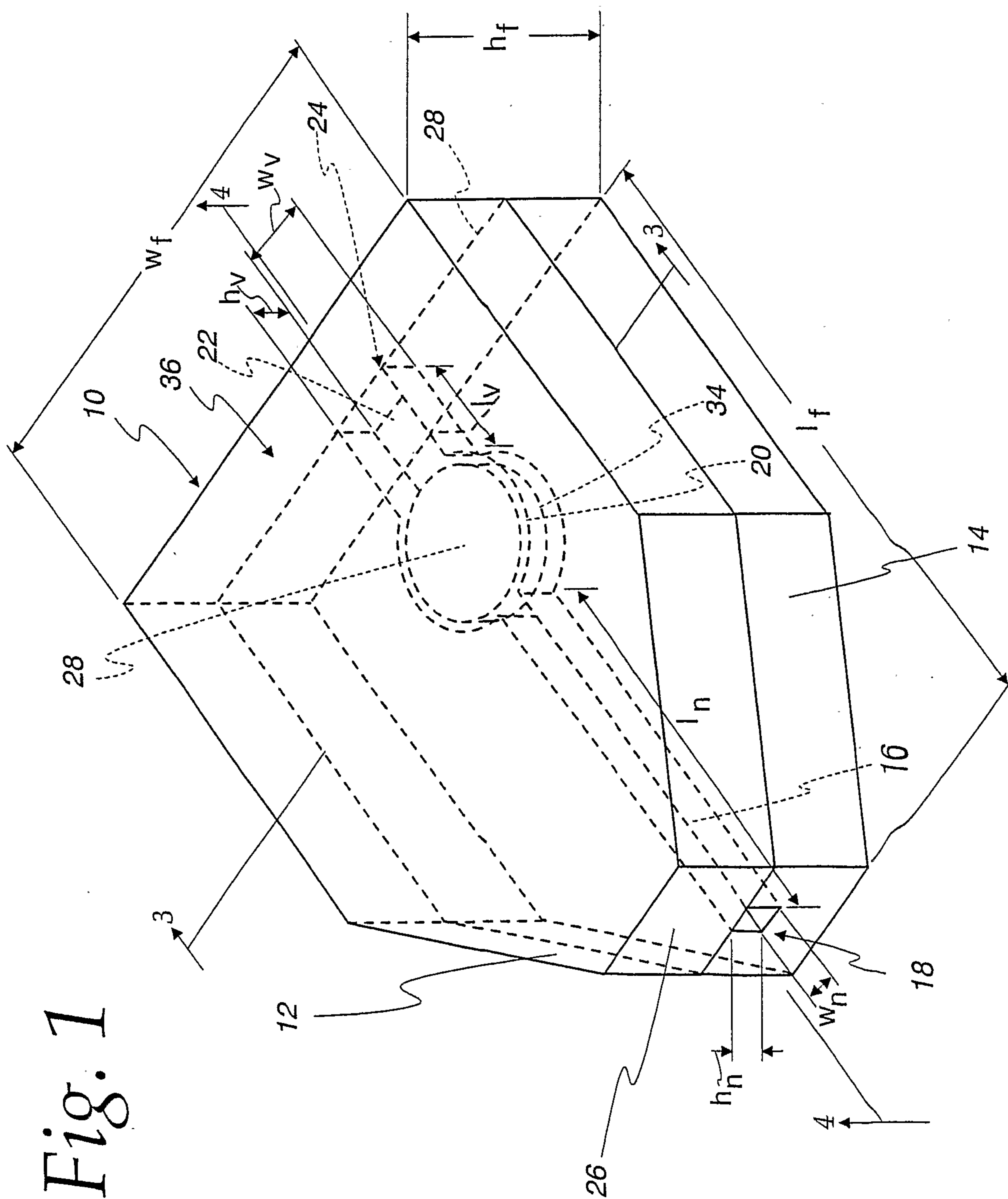


Fig. 1

2/3

Fig. 2

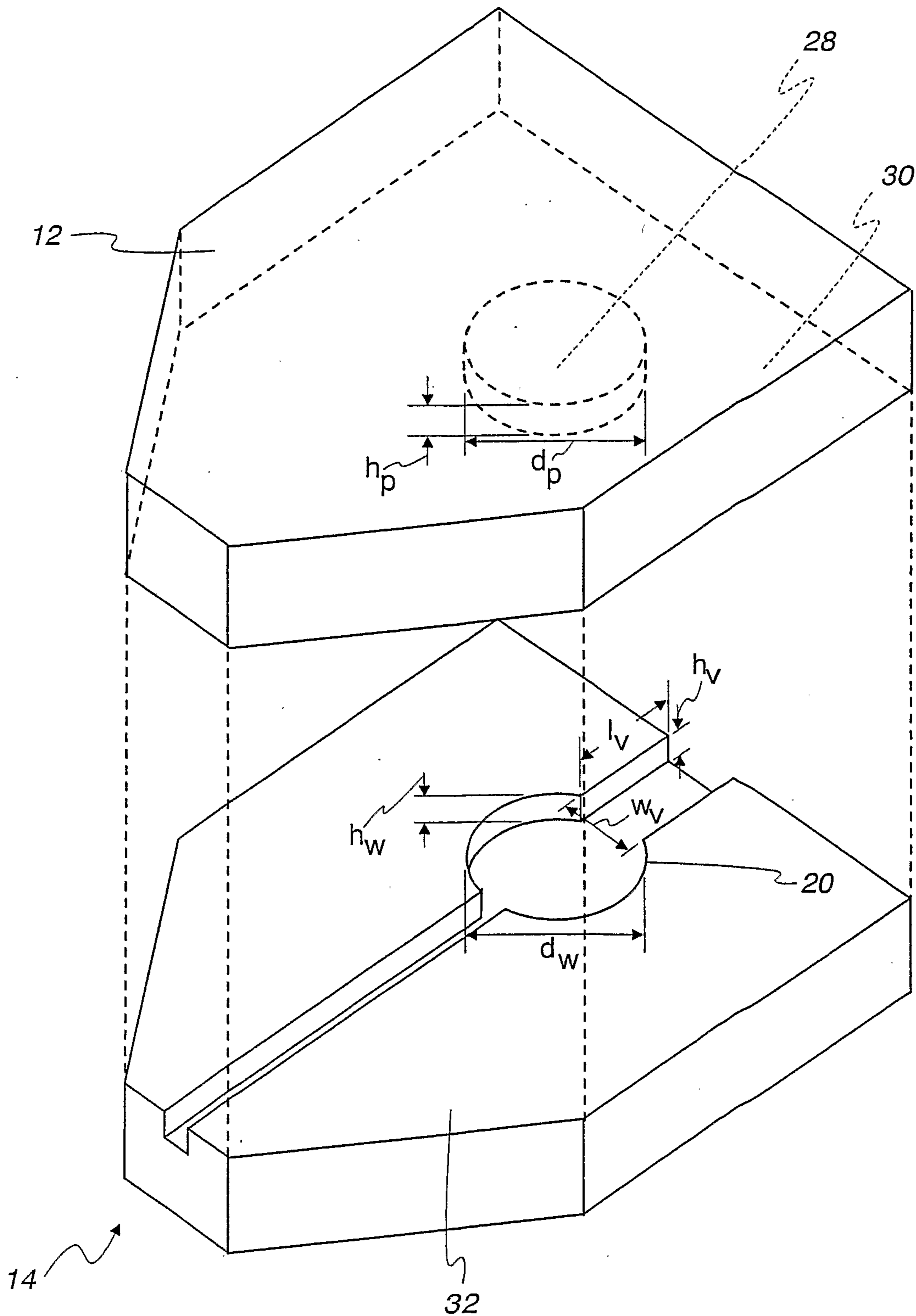


Fig. 3

3/3

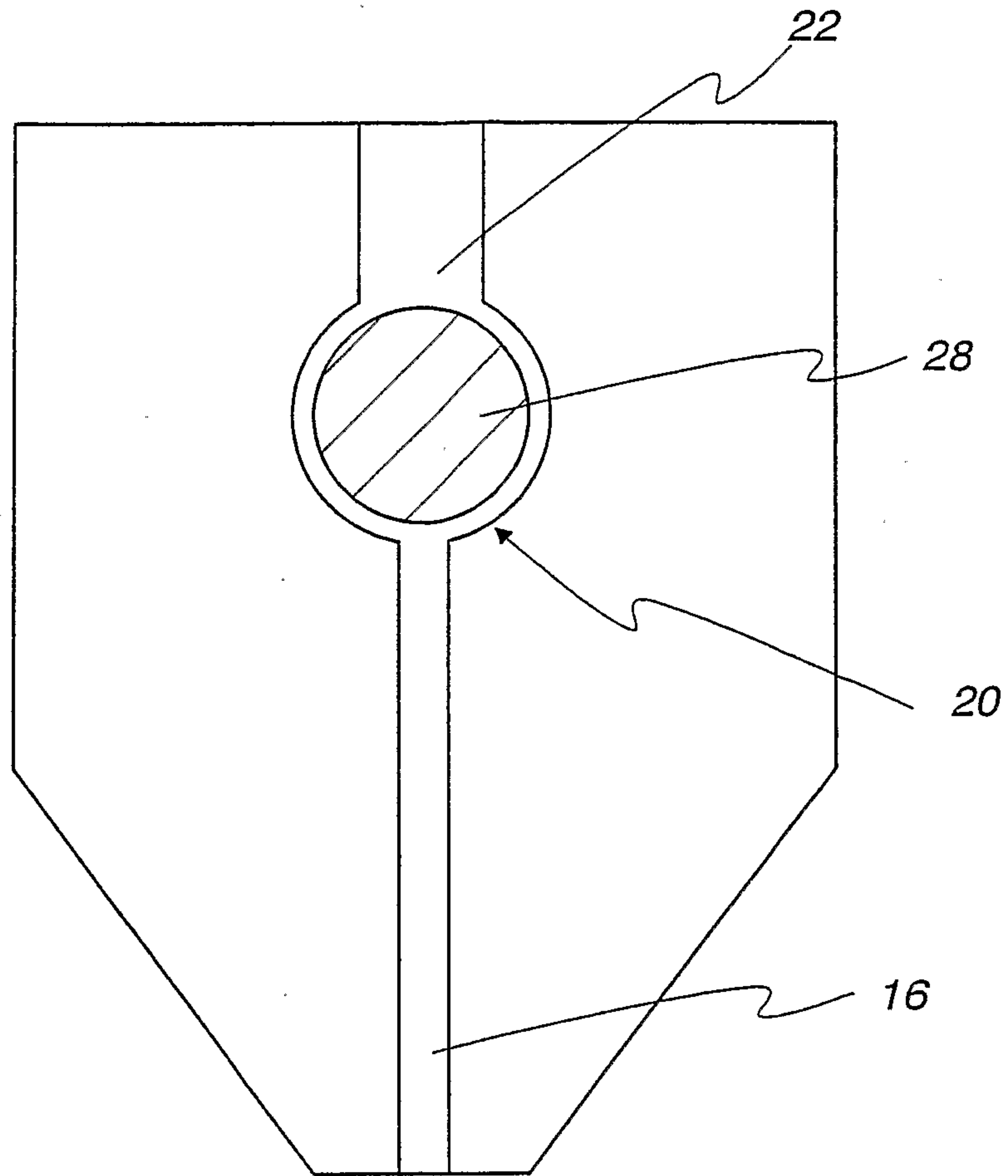


Fig. 4

