



US00D567506S

(12) **United States Design Patent**
Testa et al.

(10) **Patent No.:** **US D567,506 S**
(45) **Date of Patent:** **** Apr. 29, 2008**

(54) **JEWELRY BOX**

(76) Inventors: **Jill Testa**, 27 Brundige Dr., Goldens
Bridge, NY (US) 10526; **Steven**
Gunchar, 1061 Lamberts Mill Rd.,
Westfield, NJ (US) 07090

(**) Term: **14 Years**

(21) Appl. No.: **29/285,715**

(22) Filed: **Apr. 5, 2007**

(51) **LOC (8) Cl.** **03-01**

(52) **U.S. Cl.** **D3/271.1; D3/288; D3/903**

(58) **Field of Classification Search** **D3/270,**
D3/271.1, 271.7, 273, 276, 288, 294–295,
D3/297, 903; D6/432, 434, 436, 440, 445;
D99/1, 7; 27/2–5; 206/6.1

See application file for complete search history.

(56) **References Cited**

U.S. PATENT DOCUMENTS

675,679	A	*	6/1901	Shaw	27/5
819,301	A	*	5/1906	Montross	27/17
D50,880	S	*	6/1917	Smith	D99/1
1,310,860	A	*	7/1919	Finnegan et al.	27/3
D87,349	S		7/1932	Markle		
D90,714	S	*	9/1933	Harbin	D99/1
D116,131	S	*	8/1939	Baker	D99/1
D217,542	S		5/1970	Wernick et al.		
D217,852	S		6/1970	Wernick et al.		
D217,853	S		6/1970	Wernick et al.		
D217,854	S		6/1970	Wernick et al.		
D223,903	S	*	6/1972	Herricht	D99/1
3,944,267	A	*	3/1976	Sundquist	292/158
D286,207	S	*	10/1986	Colliver	D27/188
D300,979	S		5/1989	Durand		
D309,033	S	*	7/1990	Mohr	D27/106
D361,429	S		8/1995	Mohundro		
5,709,016	A	*	1/1998	Gulick et al.	27/2
D420,192	S	*	2/2000	Cummings	D99/1

D422,786	S		4/2000	Wu		
D438,687	S	*	3/2001	Robinson	D99/5
D439,024	S	*	3/2001	Baldwin et al.	D99/1
D439,405	S		3/2001	Veazey		
D468,072	S	*	12/2002	Weilein et al.	D99/1
D482,870	S		12/2003	Veazey		
D512,194	S	*	11/2005	Draeger	D99/3
7,251,869	B1	*	8/2007	Brown et al.	27/2

* cited by examiner

Primary Examiner—Philip S. Hyder
Assistant Examiner—Roselynn Ulm Cody
(74) *Attorney, Agent, or Firm*—Ward & Olivo

(57) **CLAIM**

The ornamental design for a jewelry box, as shown and described.

DESCRIPTION

FIG. 1 is a perspective view of a jewelry box in accordance with the present invention as shown in the present design;

FIG. 2 is a front view thereof;

FIG. 3 is a back view thereof;

FIG. 4 is a side view thereof, which is a mirror image of the opposite side thereof;

FIG. 5 is a top view thereof;

FIG. 6 is a bottom view thereof;

FIG. 7 is a perspective view thereof shown in an open position; and,

FIG. 8 is a perspective view thereof shown in a partially open position.

The broken line showing on the bottom of the jewelry box, the underside of the lid(s), and the jewelry box interior (FIGS. 6, 7, and 8) are illustrative of environmental structure and form no part of the claimed design.

1 Claim, 5 Drawing Sheets

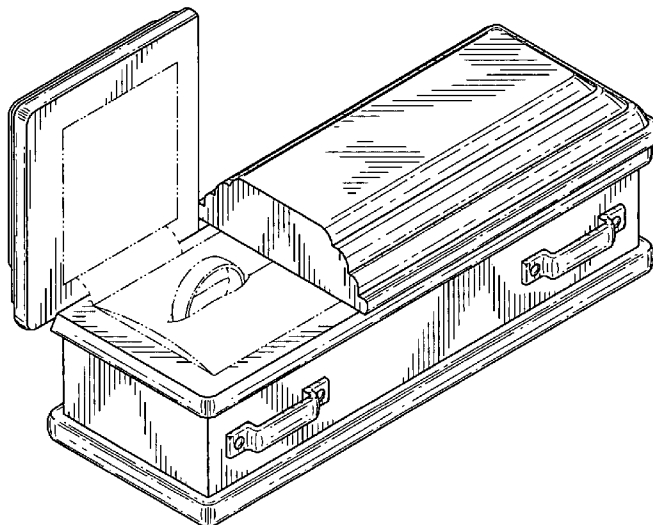


FIG. 1

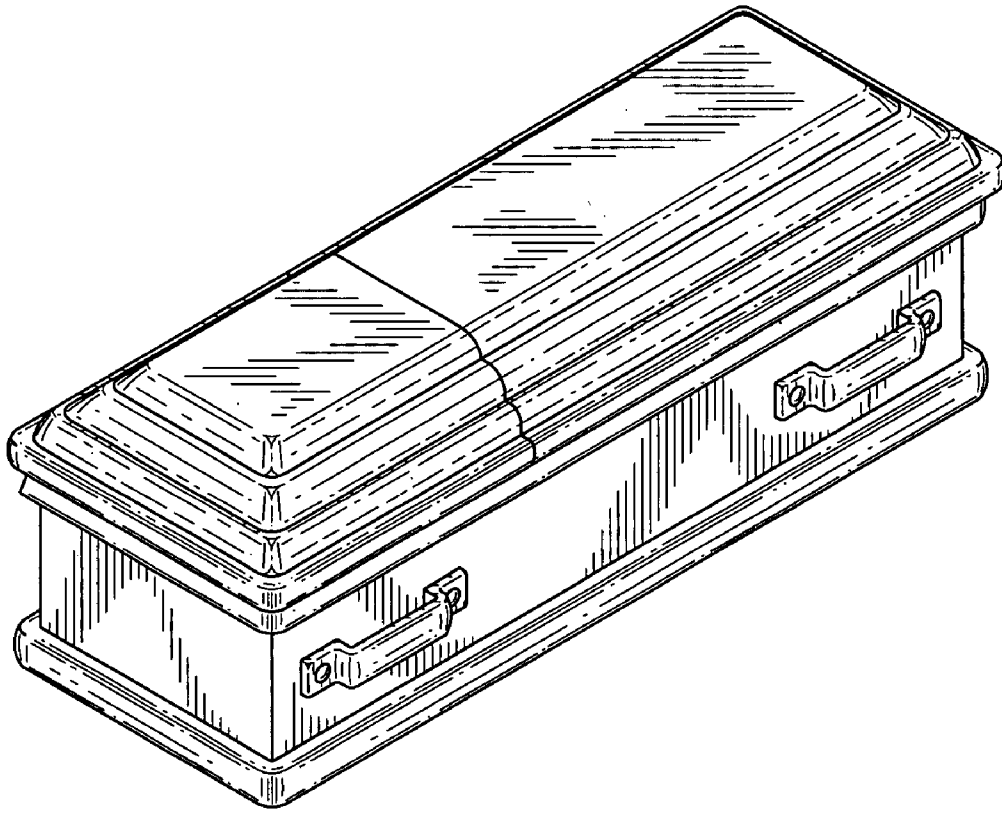


FIG. 2

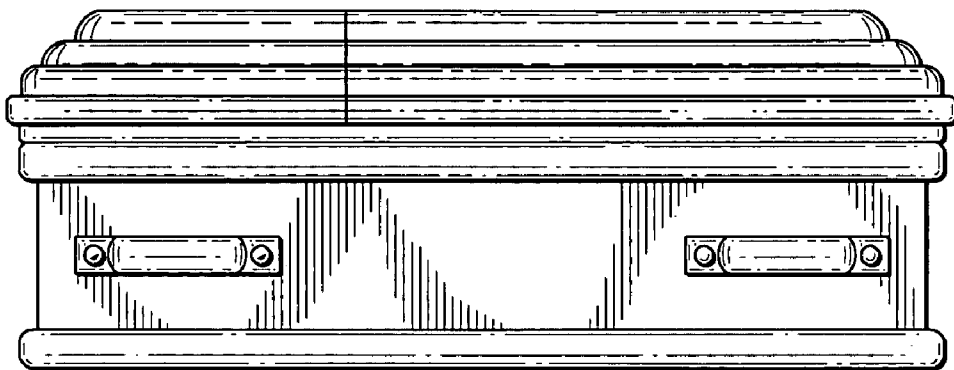


FIG. 3

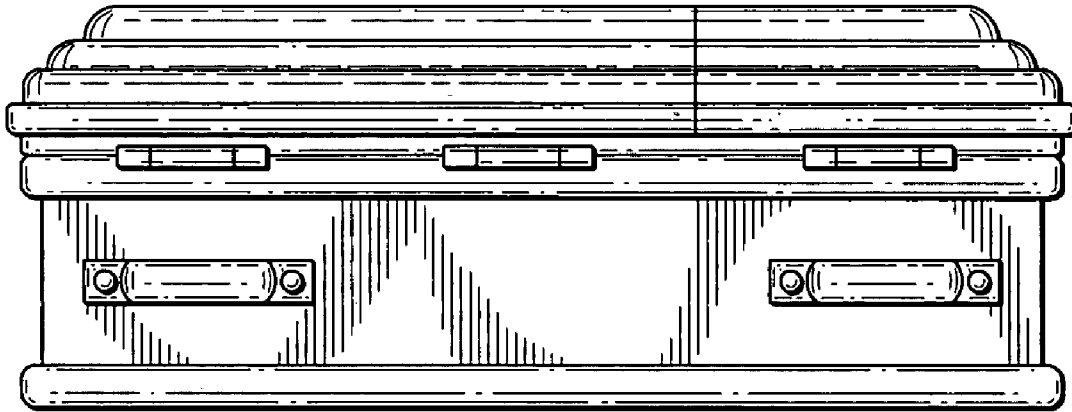


FIG. 4

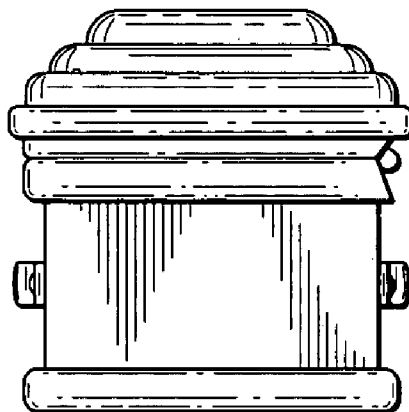


FIG. 5

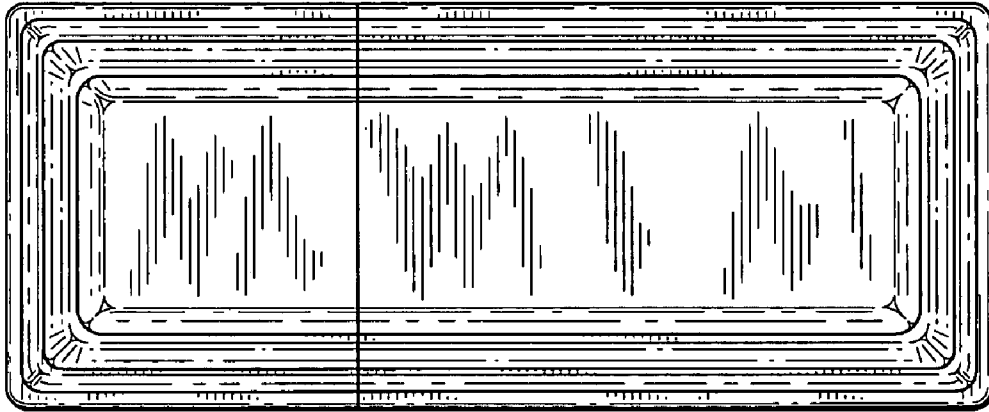


FIG. 6

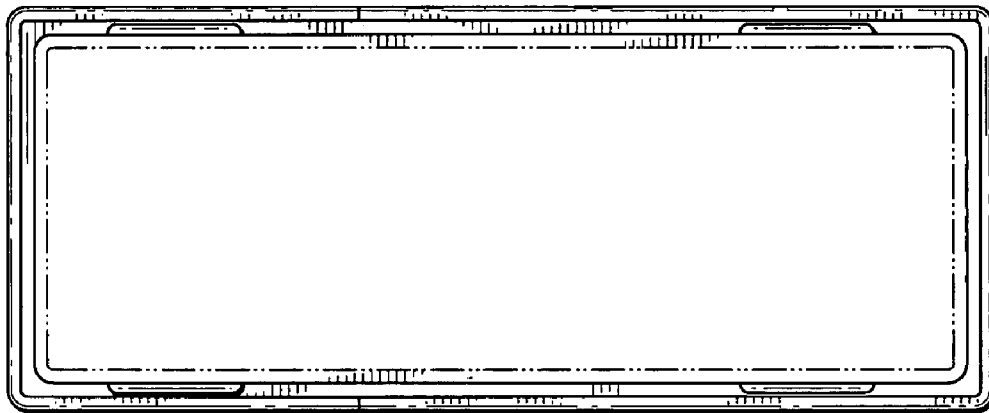


FIG. 7

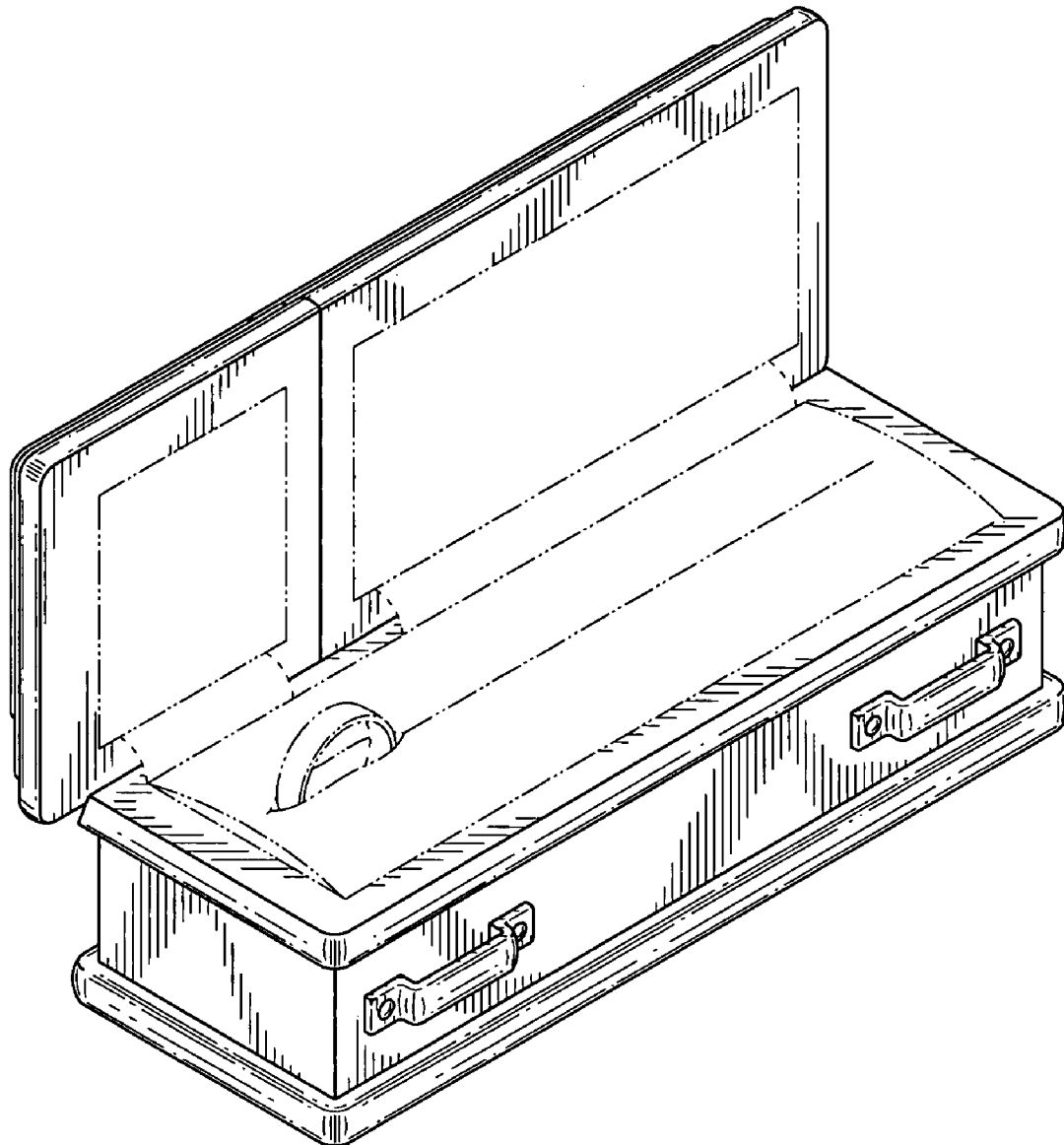


FIG. 8

