



US00D777850S

(12) **United States Design Patent**
Kaye et al.

(10) **Patent No.:** **US D777,850 S**
(45) **Date of Patent:** **** Jan. 31, 2017**

(54) **VARIABLE RESISTANCE BAND**
(71) Applicant: **ARQEX OUTDOOR FITNESS SYSTEMS, LLC**, Rye Brook, NY (US)
(72) Inventors: **Eric A. Kaye**, Rye Brook, NY (US); **William C. Cesaroni**, Glenview, IL (US); **Morad Ghassemian**, Oak Park, IL (US); **Brian W. Mathews**, Waterman, IL (US); **Eugene L. DiMonte**, Aurora, IL (US); **Donovan D. Zielke**, Laguna Nigel, CA (US); **Steven M. Lenz**, Naperville, IL (US)

(73) Assignee: **ARQEX OUTDOOR FITNESS SYSTEMS, LLC**, Rye Brook, NY (US)

(**) Term: **14 Years**

(21) Appl. No.: **29/514,787**

(22) Filed: **Jan. 16, 2015**

(51) **LOC (10) Cl.** **21-02**

(52) **U.S. Cl.** **D21/692**
USPC

(58) **Field of Classification Search**
USPC D21/664, 673, 688, 662, 699, 705, D21/668, 769, 690, 788, 698, 534, 669, D21/302, 691, 681, 682, 800, 694, 686, D21/702, 676, 684, 775, 777, 692, 672; 482/122, 142, 123, 129, 128, 93, 106, 74, 482/121, 130, 71, 72, 95, 96, 68, 66, 41, 482/141, 100, 115, 49, 146, 147, 42, 51, 482/35, 38, 23, 904, 91, 28, 140, 907, 86, 482/83, 87, 90, 131, 902, 61, 65, 17, 52, 482/62, 107, 108, 54, 105, 133, 148, 92, 482/138, 12; 473/432, 445, 441, 197, 434, 473/438, 454, 478, 447, 422, 476; D12/317, 9, 6, 8, 130, 115, 114; 273/400, 273/407, 396; D8/303, 499, 107, 14; D11/87, 86, 80, 103, 2, 56, 93, 13; 16/430, 421; D26/49, 37; D24/107; 74/551.9; 59/82, 80; 24/658, 303

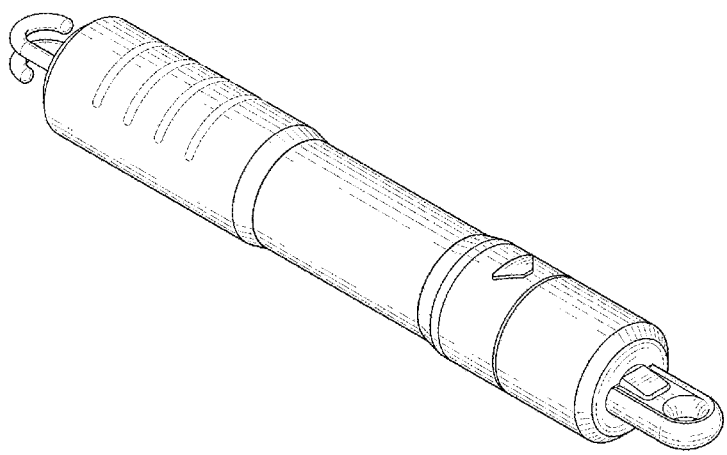
CPC A63B 21/0552; A63B 21/00069; A63B 21/4035; A63B 21/0557; A63B 21/0442; A63B 2208/0204; A63B 21/4043; A63B 23/12; A63B 21/0004
See application file for complete search history.

(56)

References Cited

U.S. PATENT DOCUMENTS

145,642 A * 12/1873 Frontier A44C 5/107 59/82
163,957 A 6/1875 Wood
189,797 A * 4/1877 Seery A44C 11/00 59/80
652,617 A 6/1900 Hotz
1,539,569 A 5/1925 Hubert
1,633,124 A 6/1927 Noe
1,729,399 A 9/1929 Noe
1,749,544 A 3/1930 Pagano
2,930,614 A 3/1960 McIntosh
3,141,214 A * 7/1964 Bey A44B 15/002 24/303
3,345,067 A 10/1967 Smith
3,528,656 A 9/1970 Haanen
3,598,406 A 8/1971 Robinson
3,680,858 A 8/1972 Ossenkop et al.
3,759,514 A 9/1973 Cox
3,765,064 A * 10/1973 Hooper A44C 5/2052 24/658
3,815,904 A 6/1974 Weiss et al.
4,057,246 A 11/1977 Wilson
4,373,716 A 2/1983 Pagani
D282,055 S * 1/1986 Brinkers D11/103
D284,259 S * 6/1986 Oury D8/107
4,620,701 A 11/1986 Mojden
4,685,670 A 8/1987 Zinkin
D299,807 S * 2/1989 Sawa D22/118
D305,446 S * 1/1990 Valentine D21/672
5,039,092 A 8/1991 Olschansky
5,090,694 A 2/1992 Pauls et al.
5,112,287 A 5/1992 Brewer
5,205,803 A 4/1993 Zemitis
5,211,617 A 5/1993 Millen
5,269,737 A 12/1993 Sobotka
5,288,074 A 2/1994 Scheurer
5,431,610 A 7/1995 Miller
5,431,617 A 7/1995 Rattray, Jr.
5,496,246 A 3/1996 Pierre
D377,462 S * 1/1997 Kassardjian D11/87
5,626,546 A 5/1997 Little
D388,356 S * 12/1997 Lucas, II D11/86



(56)

References Cited

U.S. PATENT DOCUMENTS

5,700,232	A	12/1997	Clausen et al.	7,625,325	B1	12/2009	Yost	
5,839,997	A	11/1998	Roth et al.	7,632,221	B1	12/2009	Kolander	
5,876,313	A	3/1999	Krull	D607,591	S *	1/2010	Rivera	D26/49
5,885,196	A	3/1999	Gvoich	7,662,074	B2	2/2010	Webb	
5,997,448	A	12/1999	Duba	D615,605	S *	5/2010	Frasco	D21/682
6,015,371	A	1/2000	Davitt	7,736,286	B2	6/2010	Panaiotov	
6,033,350	A	3/2000	Krull	7,740,568	B2	6/2010	Webb	
D424,638	S *	5/2000	Urso	D621,680	S *	8/2010	Hsu	D8/303
6,099,442	A	8/2000	Krull	7,766,804	B2	8/2010	Placencia	
6,142,919	A	11/2000	Jorgensen	7,775,949	B2	8/2010	Bowser	
6,186,927	B1	2/2001	Krull	7,785,242	B2	8/2010	Solomon	
6,202,263	B1	3/2001	Harker	7,785,243	B2	8/2010	Kassel	
6,238,324	B1 *	5/2001	MacMillan	7,794,373	B2	9/2010	Crawford et al.	
		 A63B 21/00043	7,794,374	B1	9/2010	Park	
			482/12	7,798,945	B2	9/2010	Ko	
6,322,481	B1	11/2001	Krull	7,798,946	B2	9/2010	Dalebout et al.	
6,322,483	B1	11/2001	Rotella	7,819,787	B2	10/2010	Kassel	
6,402,666	B2	6/2002	Krull	D626,609	S	11/2010	Grider	
6,416,446	B1	7/2002	Krull	7,857,739	B2	12/2010	Caldwell	
6,422,979	B1	7/2002	Krull	7,878,954	B2	2/2011	McBride et al.	
D470,902	S *	2/2003	Davies	7,878,955	B1	2/2011	Ehrlich et al.	
6,554,747	B1	4/2003	Rempe	7,878,956	B2	2/2011	Kadar et al.	
6,561,956	B1	5/2003	Allison	7,892,155	B2	2/2011	Pearson et al.	
D475,911	S *	6/2003	Vito	7,914,426	B1	3/2011	Lie	
D476,557	S *	7/2003	Vito	7,922,635	B2	4/2011	Lull et al.	
D477,853	S *	7/2003	Davies	D639,355	S	6/2011	Kassel	
D478,391	S *	8/2003	Saunders	D639,356	S	6/2011	Kassel	
6,626,801	B2	9/2003	Marques	D644,700	S	9/2011	Kassel	
6,629,910	B1	10/2003	Krull	D645,919	S	9/2011	Kassel et al.	
6,669,606	B2	12/2003	Krull	8,016,729	B2	9/2011	Webb	
D484,929	S *	1/2004	Mollet	8,021,286	B2	9/2011	Suiter	
6,676,576	B1	1/2004	Wu	8,033,960	B1	10/2011	Dalebout et al.	
6,679,816	B1	1/2004	Krull	8,033,966	B2 *	10/2011	Ayoub	A63B 23/1209
6,733,424	B2	5/2004	Krull					482/121
6,746,381	B2	6/2004	Krull	8,057,371	B2	11/2011	McBride et al.	
6,749,547	B2	6/2004	Krull	8,109,864	B2	2/2012	Tseng	
6,848,288	B1 *	2/2005	Derman	8,137,248	B1	3/2012	Krull	
		 A44B 15/002	8,152,703	B1	4/2012	Hinds	
			24/303	8,246,524	B2	8/2012	Castillo	
6,872,173	B2	3/2005	Krull	D667,130	S *	9/2012	Baker	D24/207
6,899,661	B1	5/2005	Krull	8,272,996	B2	9/2012	Weier	
6,902,515	B2	6/2005	Howell et al.	8,273,001	B2	9/2012	Karecki et al.	
6,902,516	B2	6/2005	Krull	8,287,438	B2	10/2012	Krull	
6,908,418	B2	6/2005	Saure	8,303,472	B2	11/2012	Bowser	
6,974,405	B2	12/2005	Krull	8,317,660	B2	11/2012	Goranson	
7,032,529	B2	4/2006	Sanford	8,317,667	B1	11/2012	Thomas	
7,037,246	B2	5/2006	Kim	8,485,946	B2	7/2013	Ross et al.	
7,041,041	B1	5/2006	Evans	8,496,567	B2	7/2013	Mayaud	
7,060,011	B1	6/2006	Krull	8,499,383	B1	8/2013	Ungaro	
7,121,988	B2	10/2006	Walkerdine	8,602,951	B2	12/2013	Morris	
7,128,697	B1	10/2006	Krull	8,602,952	B1	12/2013	Cruz	
7,153,243	B1	12/2006	Krull	8,657,727	B1	2/2014	Kassel et al.	
7,192,390	B2	3/2007	Berard	8,690,741	B2	4/2014	Ross et al.	
7,192,391	B2	3/2007	Kim	8,696,529	B2	4/2014	Krull	
7,229,392	B2	6/2007	Turnbull et al.	8,821,359	B1	9/2014	Kassel	
7,250,022	B2	7/2007	Dalebout et al.	8,870,722	B2	10/2014	Kassel	
7,264,578	B1	9/2007	Krull	8,905,905	B2	12/2014	Mangalindan	
D561,636	S *	2/2008	Khubani	9,414,667	B1 *	8/2016	Tate	A45F 3/44
7,331,909	B2	2/2008	Middleton	2003/0017918	A1	1/2003	Webb et al.	
7,334,499	B2 *	2/2008	Lai	2003/0232707	A1	12/2003	Dalebout et al.	
		 B62K 21/26	2004/0009854	A1	1/2004	Shiang et al.	
			74/551.9	2005/0043150	A1	2/2005	Nitta et al.	
7,377,886	B2	5/2008	Wu	2005/0049121	A1	3/2005	Dalebout et al.	
7,429,236	B2	9/2008	Dalebout et al.	2005/0113219	A1	5/2005	Pierre, II	
7,455,632	B2	11/2008	Bloch et al.	2005/0130814	A1	6/2005	Nitta et al.	
7,497,814	B1	3/2009	Krull	2005/0272577	A1	12/2005	Olson et al.	
7,510,539	B2	3/2009	Katane et al.	2006/0035768	A1	2/2006	Kowallis et al.	
7,547,268	B1	6/2009	Krull	2006/0128540	A1	6/2006	Engle	
7,553,265	B2	6/2009	Crawford et al.	2007/0143968	A1 *	6/2007	Tseng	A45B 9/02
D596,476	S *	7/2009	Welch					16/430
7,572,212	B2	8/2009	Cassidy et al.	2007/0207903	A1	9/2007	Csabai	
7,578,775	B2	8/2009	Terry	2007/0207904	A1	9/2007	Wu	
7,585,260	B2 *	9/2009	Ma	2008/0156139	A1 *	7/2008	Lai	B62K 21/26
		 A63B 21/0552					74/551.9
			482/106	2009/0137371	A1	5/2009	Fuller	
7,588,520	B2	9/2009	Nalley	2009/0215594	A1	8/2009	Panaiotov	
D601,915	S *	10/2009	Heroux	2010/0016132	A1	1/2010	Flynn	
7,611,450	B2	11/2009	Mancini	2010/0048368	A1	2/2010	Donofrio	
7,621,856	B1	11/2009	Keith et al.	2010/0331152	A1	12/2010	Pedraera	

(56) **References Cited**

U.S. PATENT DOCUMENTS

2011/0124476	A1	5/2011	Holley	
2011/0237410	A1	9/2011	Perez	
2011/0269604	A1	11/2011	Tseng	
2012/0058864	A1	3/2012	Mizrachy	
2012/0214651	A1	8/2012	Ross	
2013/0225371	A1	8/2013	Harrer et al.	
2013/0225372	A1	8/2013	Rochford	
2013/0225376	A1	8/2013	Kinsbourne et al.	
2014/0066274	A1	3/2014	Kassel	
2014/0274606	A1*	9/2014	Piskin	A63B 21/0442 482/129
2015/0126342	A1*	5/2015	Kaye	A63B 21/0442 482/121
2015/0126345	A1*	5/2015	Kaye	A63B 21/0442 482/129
2015/0126346	A1*	5/2015	Kaye	A63B 21/0442 482/129
2015/0126347	A1*	5/2015	Kaye	A63B 21/0442 482/129
2015/0133276	A1*	5/2015	Kaye	A63B 21/0557 482/129

FOREIGN PATENT DOCUMENTS

DE	20305669	10/2003
DE	102010051083	8/2011
WO	2014/036123	3/2014

OTHER PUBLICATIONS

Arqex Fitness by Arqex Fitness dated Apr. 30, 2016. Found online [Sep. 29, 2016] <http://yooying.com/p/1183633190801543590>.*
 “Bollinger Fitness 3-in-1 Adjustable Resistance Band”, www.kmart.com, <http://www.kmart.com/bollinger-fitness-3-in-1-adjustable-resistance-band/p080V006270873000P>, 1 page, accessed Oct. 15, 2013.

“SKLZ Quick Change Resistance Band System”, www.amazon.com, <http://www.amazon.com/SKLZ-QuickchangeResistanceSystem/dp/B00C81JUSM>, 8 pages, accessed Oct. 15, 2013.

“Lifeline USA TNT Special Triple Resistance Cable”, www.amazon.com, http://www.amazon.com/Lifeline-Special-Triple-Resistance-Cable/dp/B00069CP26/ref=pd_sbs_sg_3/189-4395354-1488107, 7 pages, accessed Oct. 15, 2013.

“Resistance Bands”, <http://bandresistance.com>, 4 pages, accessed Oct. 15, 2013.

* cited by examiner

Primary Examiner — Robert M Spear

Assistant Examiner — Ryan Harvey

(74) *Attorney, Agent, or Firm* — Tarter Krinsky & Drogin LLP

(57) **CLAIM**

The ornamental design for a variable resistance band, as shown and described.

DESCRIPTION

FIG. 1 is a perspective view of the variable resistance band of the present invention;

FIG. 2 is a top view thereof and wherein an opposite bottom view is a mirror image thereof;

FIG. 3 is a first side view thereof and wherein an opposite second side view is a mirror image thereof;

FIG. 4 is an end view thereof taken along view line 4-4 in FIG-3; and,

FIG. 5 is an end view thereof taken along view line 5-5 in FIG-3.

The broken lines illustrate portions of the variable resistance band which form no part of the claimed design.

1 Claim, 2 Drawing Sheets

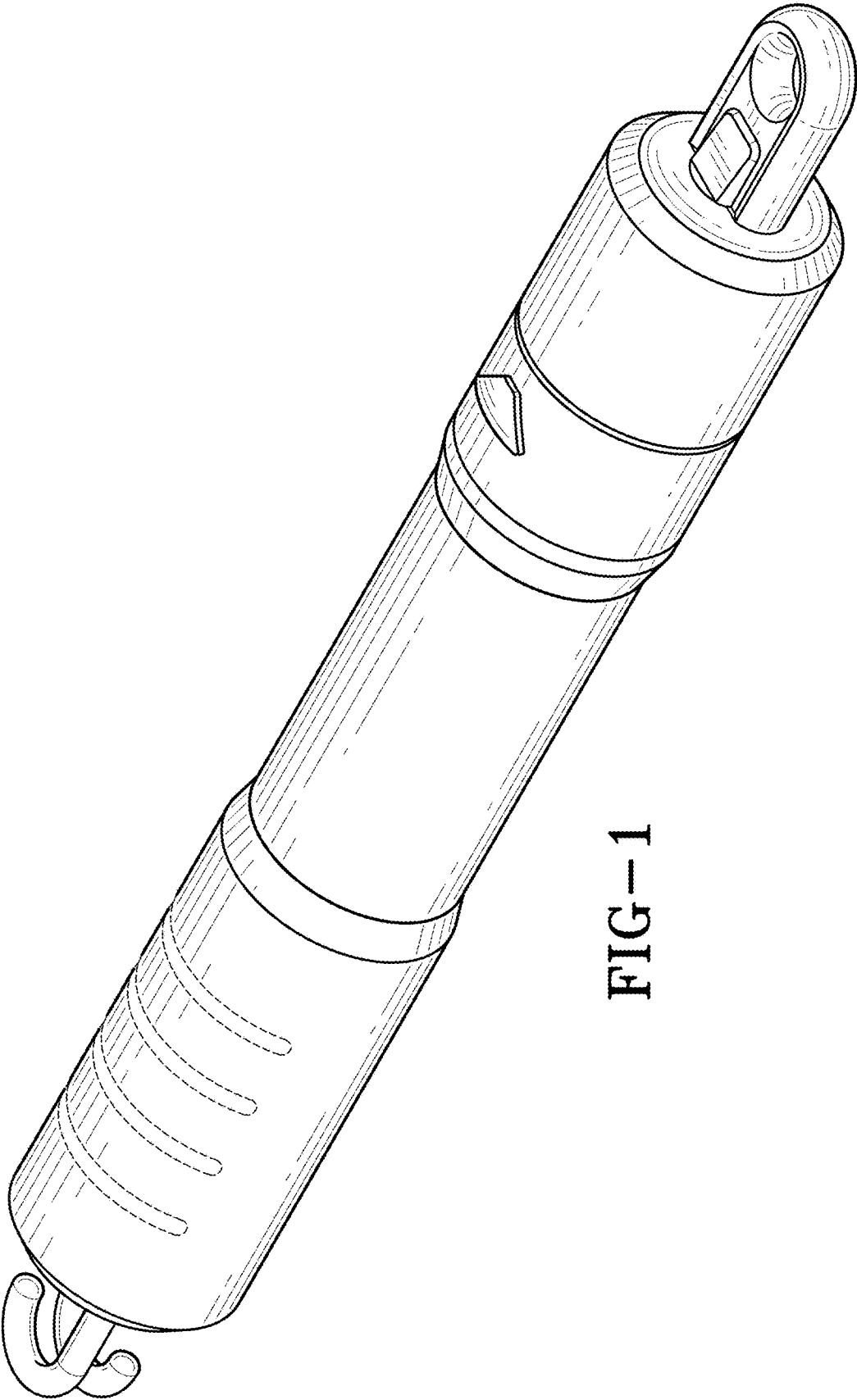


FIG-1

