



(12) **United States Design Patent**  
**Gobber et al.**

(10) **Patent No.: US D1,007,663 S**  
(45) **Date of Patent: \*\* Dec. 12, 2023**

(54) **AIR FRESHENER**

(71) Applicant: **ZOBELE HOLDING SPA**, Trento (IT)

(72) Inventors: **Cedric Gobber**, Barcelona (ES);  
**Joaquim Llorente Alonso**, Barcelona  
(ES); **Loreley Adriana Videla Gomez**,  
Barcelona (ES)

(73) Assignee: **ZOBELE HOLDING SPA**

(\*\*) Term: **15 Years**

(21) Appl. No.: **35/505,284**

(22) Filed: **Jan. 2, 2018**

(80) **Hague Agreement Data**

Int. Filing Date: **Nov. 7, 2017**  
Int. Reg. No.: **DM/099574**  
Int. Reg. Date: **Jan. 2, 2018**  
Int. Reg. Pub. Date: **Jul. 13, 2018**

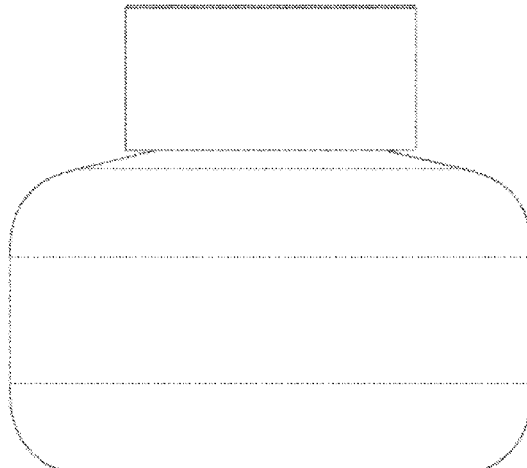
(51) **LOC (14) Cl.** ..... **23-01**

(52) **U.S. Cl.**  
USPC ..... **D23/366**

(58) **Field of Classification Search**

USPC ..... D23/207, 208, 209, 213, 223, 333, 335,  
D23/336, 342, 351, 352, 353, 355, 356,  
D23/359, 360, 362, 364, 365, 366, 370;  
D7/509, 510  
CPC ..... C11D 3/50; C11D 3/505; C11D 11/0017;  
C11D 17/0039; C11D 3/001; C11D  
3/2072; C11D 3/507; C11D 3/2093;  
C11D 3/38627; C11D 3/48; C11D  
3/0068; C11D 1/62; C11D 3/373; C11D  
3/0015; C11D 3/2068; C11D 3/2096;  
C11D 3/43; C11D 3/38681; C11D  
17/041; C11D 3/386; C11D 1/72; C11D  
3/222; C11D 3/225; C11D 3/28; C11D  
11/0023; C11D 1/835; C11D 17/06;  
C11D 3/3742; C11D 3/30; C11D 3/18;  
C11D 17/0043; C11D 1/66; C11D  
3/2079; C11D 3/3723; C11D 17/049;

C11D 3/33; C11D 17/0017; C11D  
3/3707; C11D 3/3726; C11D 3/3773;  
C11D 1/008; C11D 17/047; C11D 3/046;  
C11D 3/26; C11D 3/3765; C11D 1/662;  
C11D 3/2044; C11D 3/2086; C11D  
3/3738; C11D 3/502; C11D 17/0013;  
C11D 17/003; C11D 3/38672; C11D  
3/3719; C11D 17/042; C11D 3/0084;  
C11D 3/227; C11D 3/3749; C11D 7/266;  
C11D 3/32; C11D 3/382; C11D 3/3757;  
C11D 3/3703; C11D 3/3769; C11D  
3/2034; C11D 3/3734; C11D 3/38645;  
C11D 3/40; C11D 1/146; C11D 1/83;  
C11D 17/0021; C11D 3/3761; C11D  
3/3788; C11D 3/3935; C11D 1/29; C11D  
11/02; C11D 3/2065; C11D 3/3481;  
C11D 3/37; C11D 3/38609; C11D 3/42;  
C11D 11/0094; C11D 17/0056; C11D  
3/3753; C11D 9/442; C11D 1/22; C11D  
3/0036; C11D 3/042; C11D 3/162; C11D  
3/184; C11D 3/3715; C11D 3/3776;  
C11D 7/3281; C11D 1/04; C11D  
17/0026; C11D 3/221; C11D 3/3409;  
C11D 3/349; C11D 7/5022; C11D 1/12;  
C11D 1/75; C11D 17/0008; C11D  
3/2082; C11D 3/223; C11D 3/3746;  
C11D 3/39; C11D 3/3905; C11D 1/722;  
C11D 3/226; C11D 3/228; C11D 3/3796;  
C11D 3/38; C11D 3/3932; C11D 7/264;  
C11D 9/38; C11D 17/0047; C11D  
3/38618; C11D 3/38636; C11D 7/263;  
C11D 7/265; C11D 7/268; C11D 1/65;  
C11D 11/0029; C11D 17/00; C11D  
17/0034; C11D 17/048; C11D 3/201;  
C11D 3/2027; C11D 3/384; C11D 3/392;  
C11D 3/3956; C11D 7/24; C11D 1/00;  
C11D 1/40; C11D 1/86; C11D 11/00;  
C11D 11/0035; C11D 17/043; C11D  
17/044; C11D 17/08; C11D 3/0031;  
C11D 3/06; C11D 3/1213; C11D 3/124;  
C11D 3/128; C11D 3/164; C11D 3/2024;  
C11D 3/2037; C11D 3/2075; C11D  
3/378; C11D 3/3902; C11D 3/3951;  
C11D 3/3953; C11D 3/3955; C11D



7/261; C11D 1/143; C11D 1/523; C11D 1/667; C11D 3/10; C11D 3/2006; C11D 3/2017; C11D 3/323; C11D 7/262; C11D 7/44; C11D 7/5027; C11D 1/525; C11D 1/528; C11D 11/0088; C11D 17/006; C11D 17/046; C11D 3/168; C11D 3/2003; C11D 3/36; C11D 3/3942; C11D 3/3947; C11D 7/245; C11D 9/225; C11D 1/123; C11D 1/14; C11D 1/24; C11D 1/44; C11D 11/0082; C11D 17/0052; C11D 3/0089; C11D 3/12; C11D 3/1266; C11D 3/2013; C11D 3/2062; C11D 3/22; C11D 3/38663; C11D 3/395; C11D 7/10; C11D 7/20; C11D 7/40; C11D 1/002; C11D 1/08; C11D 1/30; C11D 1/42; C11D 1/60; C11D 1/825; C11D 1/94; C11D 10/045; C11D 11/0041; C11D 13/14; C11D 17/0073; C11D 17/04; C11D 3/0052; C11D 3/0073; C11D 3/048; C11D 3/08; C11D 3/122; C11D 3/185; C11D 3/187; C11D 3/2041; C11D 3/3427; C11D 3/3445; C11D 3/364; C11D 3/391; C11D 3/3927; C11D 3/394; C11D 3/3945; C11D 7/247; C11D 7/267; C11D 7/3218; C11D 7/36; C11D 7/50; C11D 7/5004; C11D 9/00; C11D 9/265; C11D 9/44; F24F 8/50; F24F 11/30; F24F 11/58; F24F 2110/20; F24F 2110/10; F24F 2110/50; F24F 11/52; F24F 11/56; F24F 3/12; F24F 8/22; F24F 8/30; F24F 13/28; F24F 11/63; F24F 11/46; F24F 11/62; F24F 2120/00; F24F 8/192; F24F 11/65; F24F 2006/008; F24F 8/108; F24F 11/0001; F24F 11/77; F24F 2110/00; F24F 6/00; F24F 11/70; F24F 11/74; F24F 2120/20; F24F 11/64; F24F 13/20; F24F 2130/20; F24F 3/14; F24F 7/007; F24F 11/54; F24F 5/0042; F24F 11/39; F24F 11/523; F24F 11/61; F24F 3/16; F24F 6/025; F24F 2140/40; F24F 6/02; F24F 6/12; F24F 11/57; F24F 11/76; F24F 2006/003; F24F 2006/006; F24F 2110/66; F24F 2120/10; F24F 6/10; F24F 8/10; F24F 1/0071; F24F 11/00; F24F 11/48; F24F 11/526; F24F 11/72; F24F 13/06; F24F 13/15; F24F 2110/60; F24F 2110/74; F24F 8/167; F24F 8/24; F24F 8/26; F24F 1/027; F24F 13/082; F24F 2006/001; F24F 2140/00; F24F 7/06; F24F 8/117; F24F 8/80; F24F 11/0008; F24F 11/38; F24F 11/755; F24F 11/85; F24F 11/89; F24F 13/02; F24F 13/32; F24F 2007/001; F24F 2011/0002; F24F 2013/1433; F24F 2013/247; F24F 2110/64; F24F 2221/36; F24F 2221/42; F24F 6/06; F24F 7/065; F24F 8/158; F24F 8/20; F24F 8/90; F24F 1/0076; F24F 1/022; F24F 1/04; F24F 1/12; F24F 11/47; F24F 11/86; F24F 13/078; F24F 13/085; F24F 13/10; F24F 13/12; F24F 13/1426; F24F 13/222; F24F 13/24; F24F 2013/205; F24F 2013/221; F24F 2110/30;

F24F 2130/30; F24F 2130/40; F24F 2221/125; F24F 2221/22; F24F 3/1405; F24F 6/04; F24F 6/043; F24F 6/08; F24F 6/18; F24F 7/10; F24F 8/133; F24F 8/40; F24F 1/00077; F24F 1/0025; F24F 1/0057; F24F 1/009; F24F 1/02; F24F 1/028; F24F 1/037; F24F 1/40; F24F 11/36; F24F 11/59; F24F 11/84; F24F 11/871; F24F 13/08; F24F 13/22; F24F 2003/144; F24F 2003/1446; F24F 2003/1452; F24F 2006/046; F24F 2013/144; F24F 2013/146; F24F 2130/00; F24F 2221/12; F24F 2221/14; F24F 2221/225; F24F 2221/34; F24F 2221/38; F24F 3/044; F24F 3/056; F24F 3/153; F24F 5/0017; F24F 6/16; F24F 7/003; F24F 7/013; F24F 8/175; F24F 8/194; F24F 8/99

See application file for complete search history.

(56)

**References Cited**

U.S. PATENT DOCUMENTS

D882,747	S	*	4/2020	Li	.....	D23/366
D912,799	S	*	3/2021	Kaye	.....	D23/366
D920,493	S	*	5/2021	Alexander	.....	D23/366
D925,720	S	*	7/2021	Lee	.....	D23/366
D933,183	S	*	10/2021	Leyden	.....	D23/366
D953,511	S	*	5/2022	Xu	.....	D23/366
D954,244	S	*	6/2022	Lee	.....	D23/366
D958,957	S	*	7/2022	Wen	.....	D23/366
D958,958	S	*	7/2022	Yang	.....	D23/366
D967,946	S	*	10/2022	Lee	.....	D23/366
D972,106	S	*	12/2022	Lee	.....	D23/366
D975,265	S	*	1/2023	Janus	.....	D23/366
D978,317	S	*	2/2023	Lee	.....	D23/366
D979,033	S	*	2/2023	Baldessari	.....	D23/366
D979,036	S	*	2/2023	Lee	.....	D23/366

\* cited by examiner

Primary Examiner — Khawaja Anwar  
(74) Attorney, Agent, or Firm — OSTROLENK FABER LLP

(57)

**CLAIM**

The ornamental design for air freshener, as shown and described.

**DESCRIPTION**

FIG. 1.1 shows a front view of an air freshener according to our new design;  
FIG. 1.2 shows a bottom view thereof;  
FIG. 1.3 shows a top, front perspective view thereof;  
FIG. 1.4 shows a top view thereof;  
FIG. 2.1 shows a front view thereof without a cap;  
FIG. 2.2 shows a rear view thereof without the cap;  
FIG. 2.3 shows a right side view thereof without the cap;  
FIG. 2.4 shows another bottom view thereof;  
FIG. 2.5 shows a top view thereof without the cap  
FIG. 2.6 shows a top, right side view thereof without the cap.

**1 Claim, 10 Drawing Sheets**

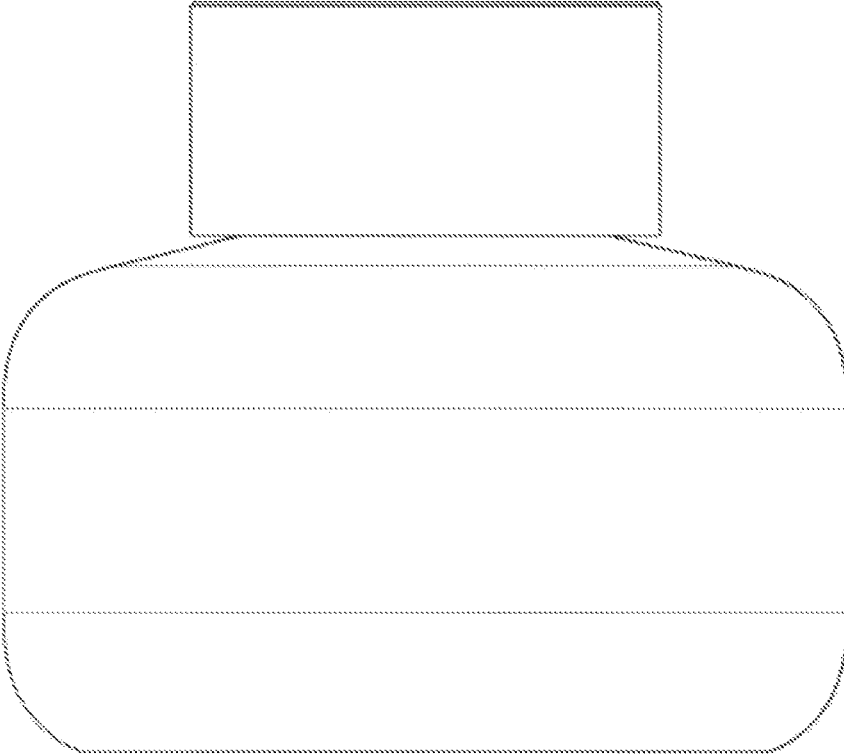
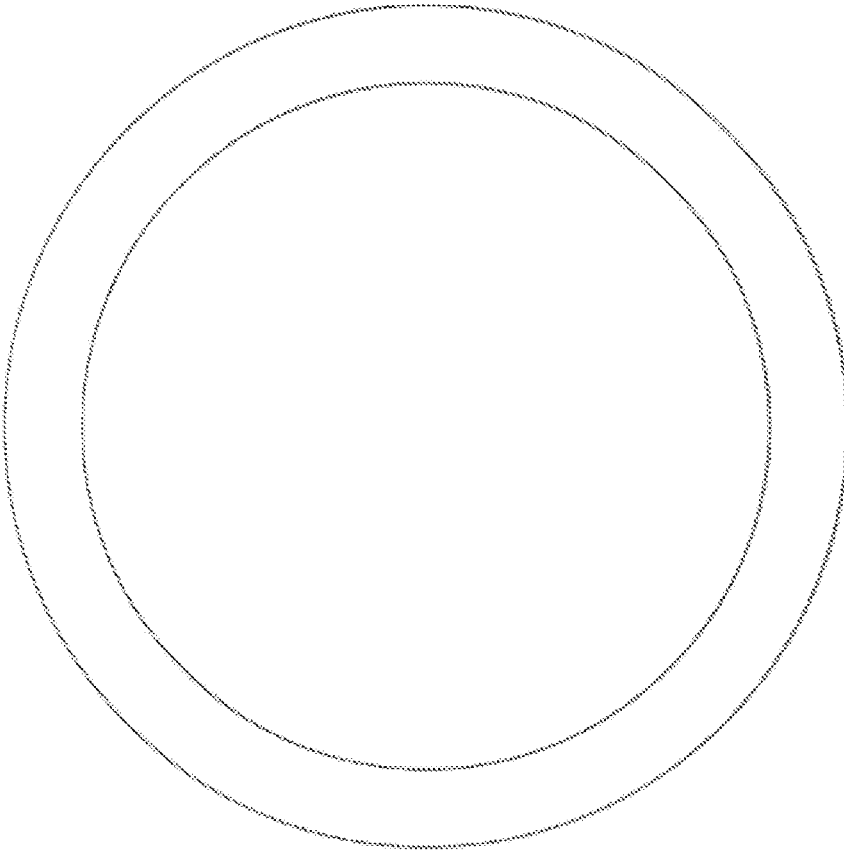
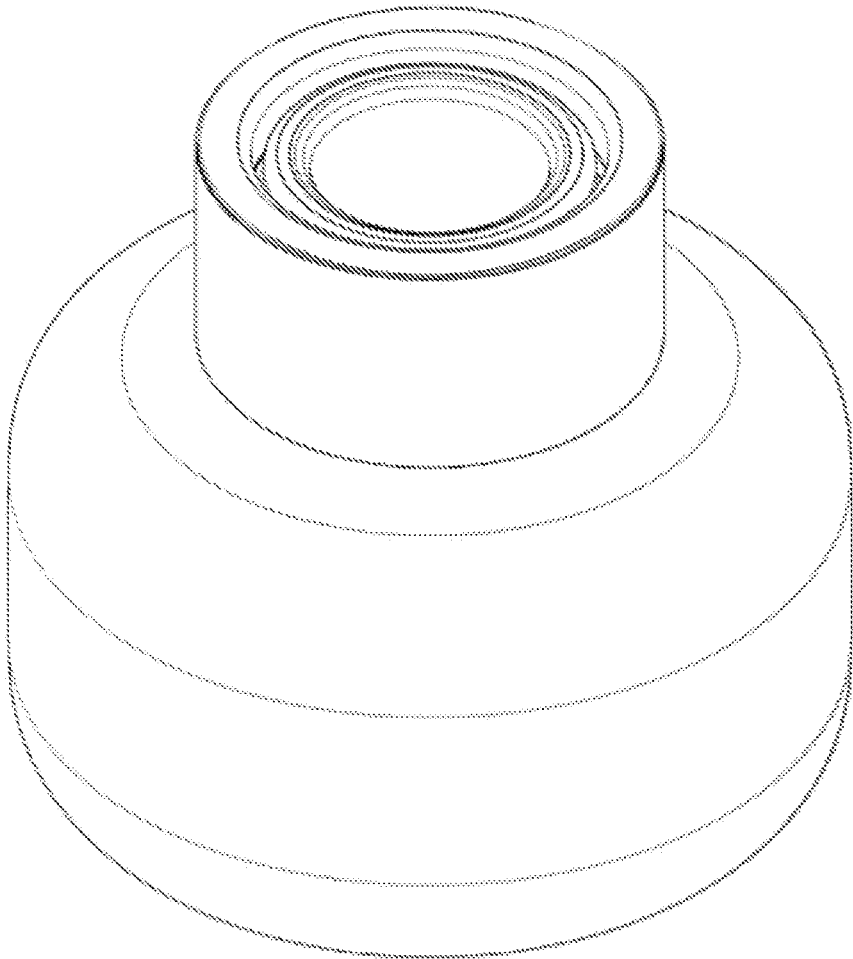


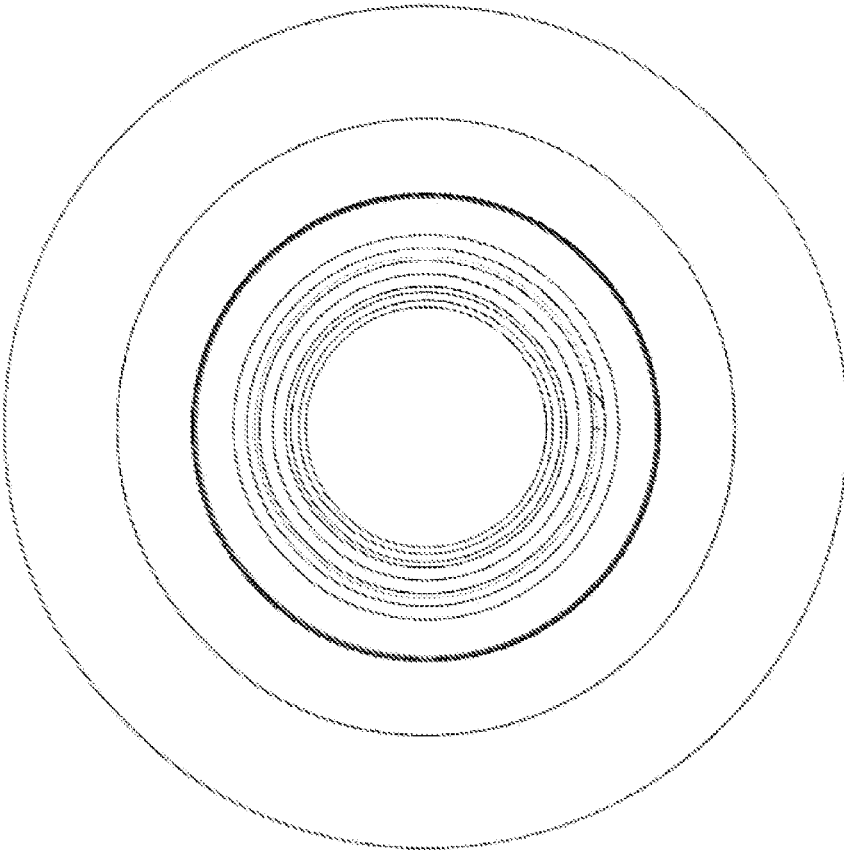
FIG. 1.1



**FIG. 1.2**



**FIG. 1.3**



**FIG. 1.4**

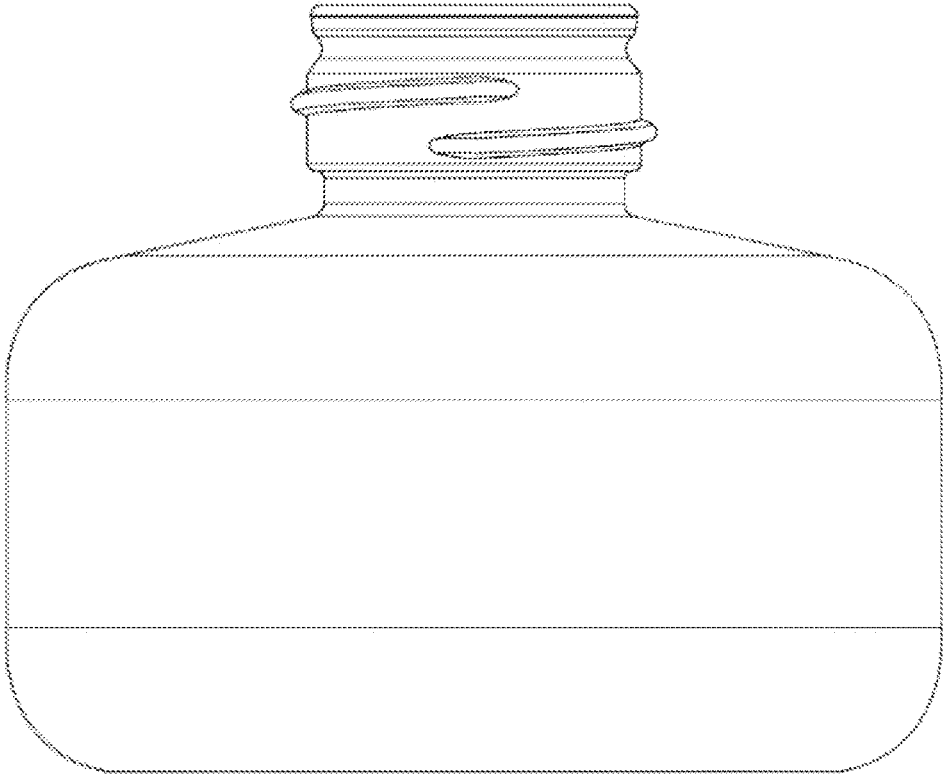


FIG. 2.1

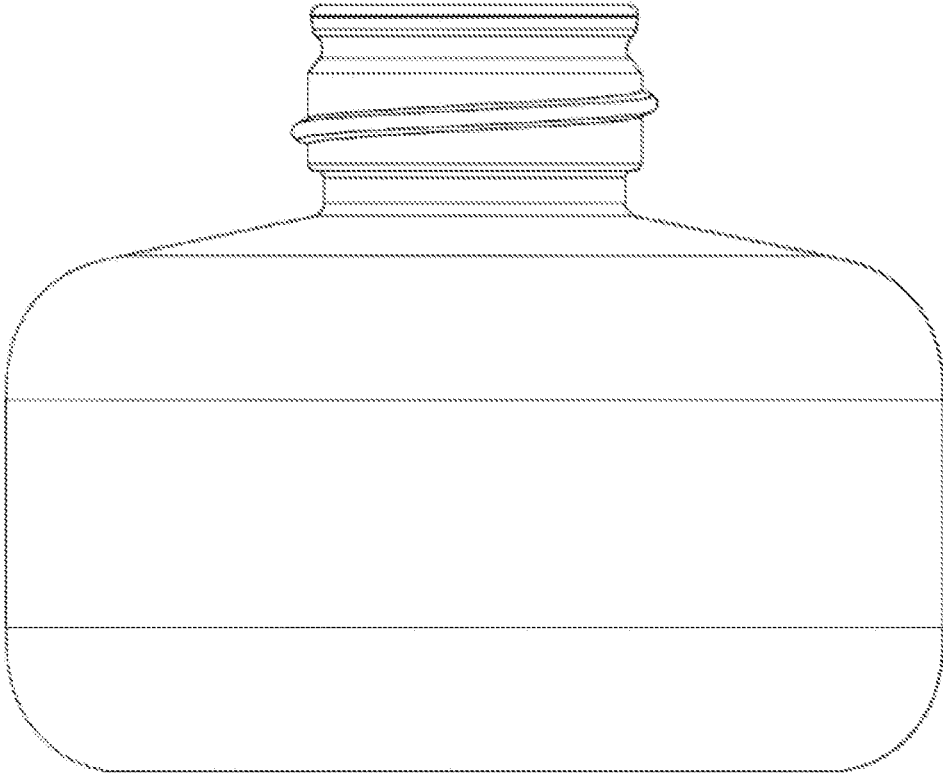


FIG. 2.2

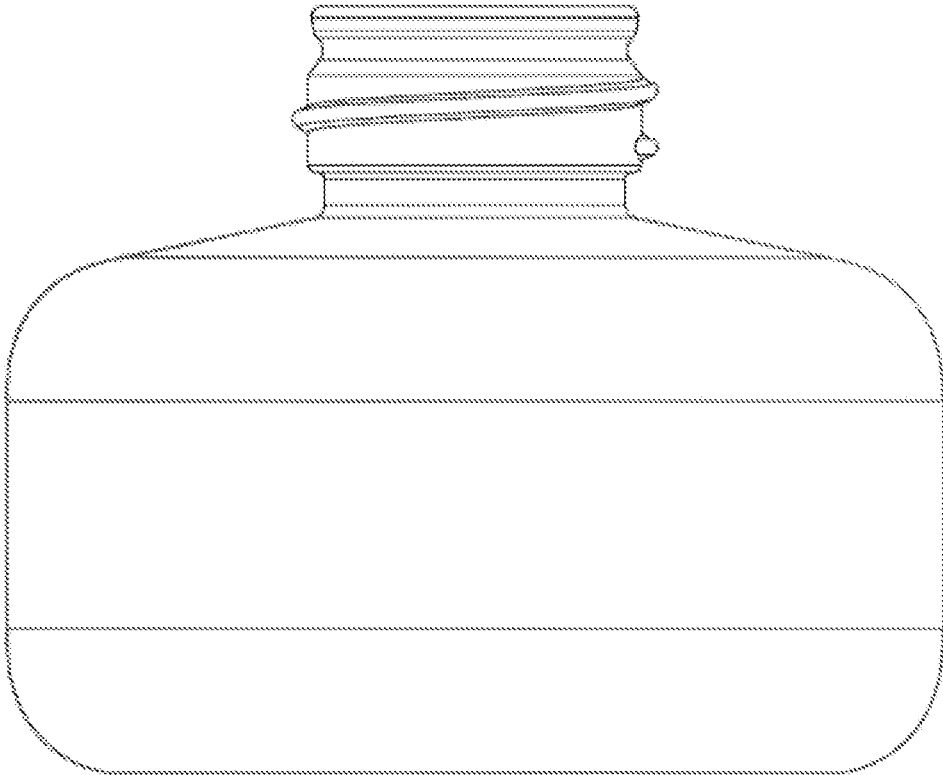
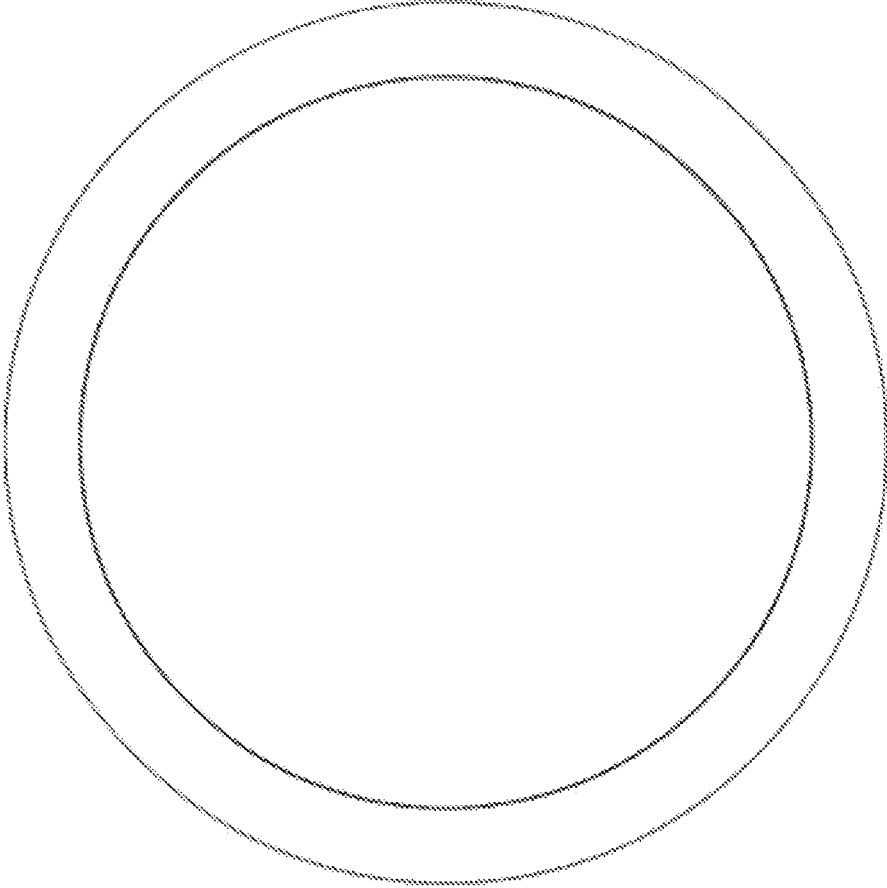


FIG. 2.3



**FIG. 2.4**

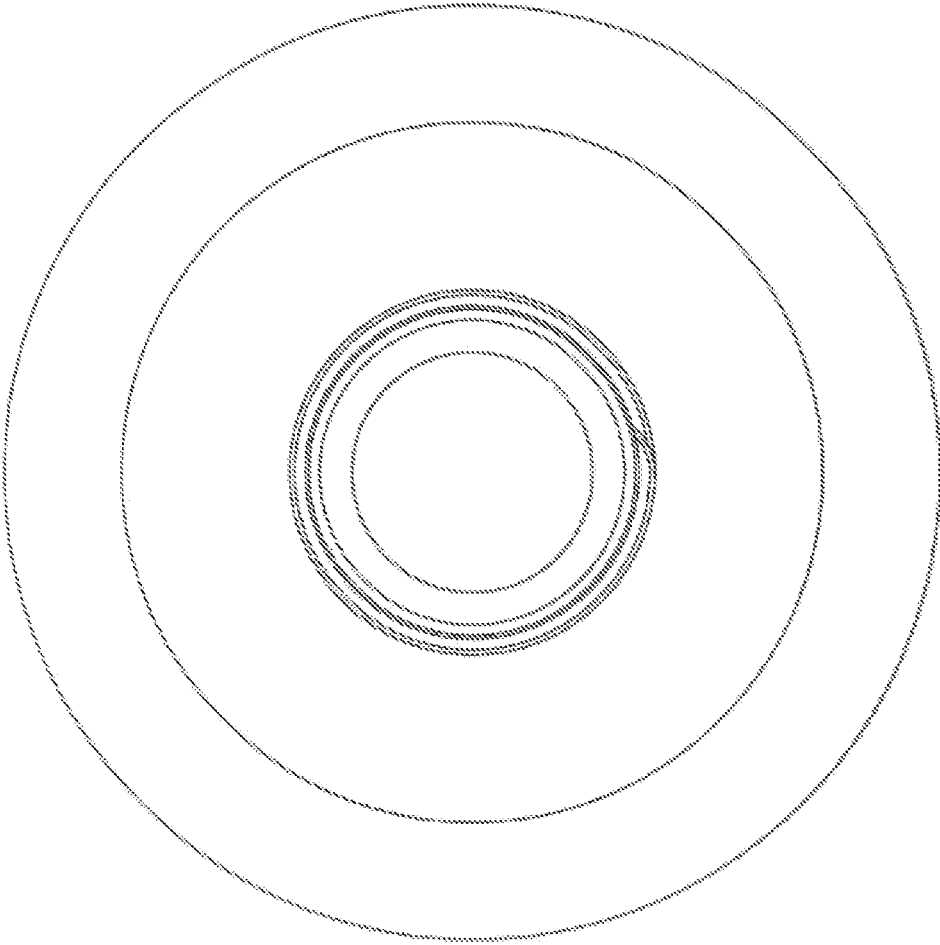


FIG. 2.5

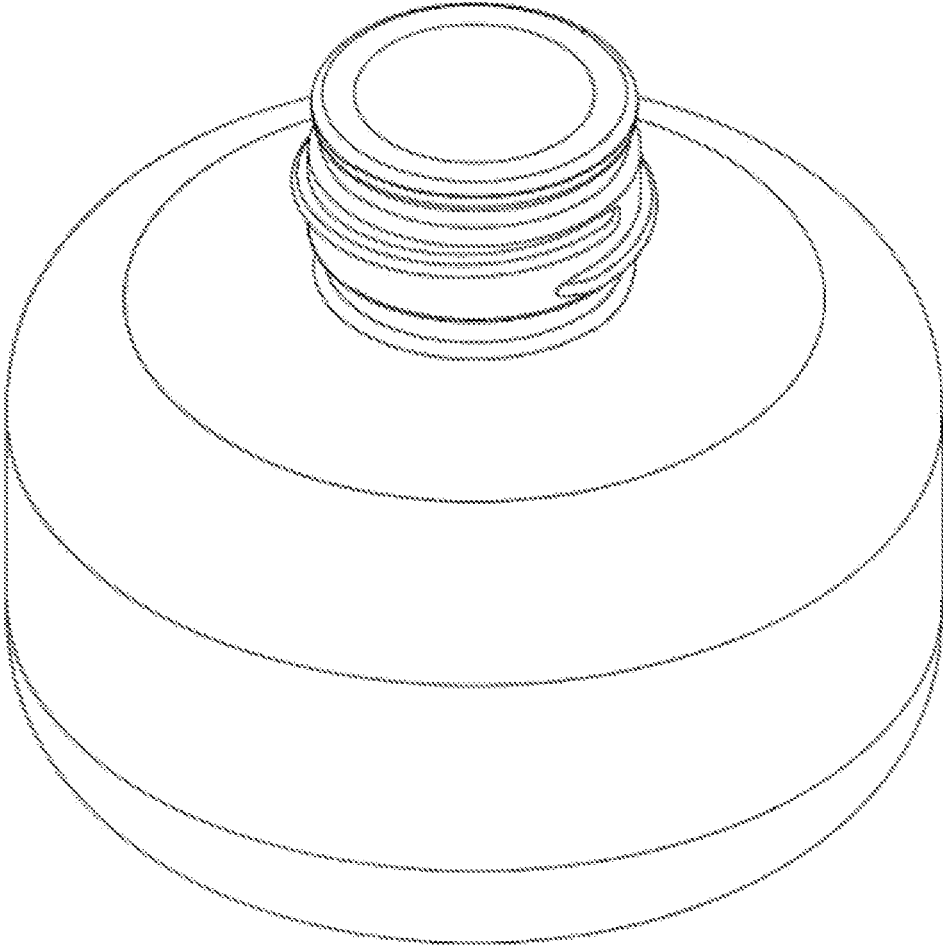


FIG. 2.6