

(19) World Intellectual Property Organization  
International Bureau



(43) International Publication Date  
30 November 2006 (30.11.2006)

PCT

(10) International Publication Number  
**WO 2006/127302 A1**

(51) International Patent Classification:

H04Q 7/38 (2006.01) H04Q 7/22 (2006.01)  
H04Q 7/24 (2006.01) H04M 3/42 (2006.01)

(21) International Application Number:

PCT/US2006/018511

(22) International Filing Date: 12 May 2006 (12.05.2006)

(25) Filing Language: English

(26) Publication Language: English

(30) Priority Data:

11/133,719 20 May 2005 (20.05.2005) US

(71) Applicant (for all designated States except US): LUCENT TECHNOLOGIES INC. [US/US]; 600 Mountain Avenue, Murray Hill, NJ 07974-0636 (US).

(72) Inventor: CAI, Yigang; 1919 Nutmeg Circle, Naperville, IL 60565 (US).

(74) Agent: ULRICH, Werner; LUCENT TECHNOLOGIES INC., DOCKET ADMINISTRATOR-ROOM 3J-219, 101 Crawford Corner Road, Holmdel, NJ 07733 (US).

(81) Designated States (unless otherwise indicated, for every kind of national protection available): AE, AG, AL, AM,

AT, AU, AZ, BA, BB, BG, BR, BW, BY, BZ, CA, CH, CN, CO, CR, CU, CZ, DE, DK, DM, DZ, EC, EE, EG, ES, FI, GB, GD, GE, GH, GM, HR, HU, ID, IL, IN, IS, JP, KE, KG, KM, KN, KP, KR, KZ, LC, LK, LR, LS, LT, LU, LV, LY, MA, MD, MG, MK, MN, MW, MX, MZ, NA, NG, NI, NO, NZ, OM, PG, PH, PL, PT, RO, RU, SC, SD, SE, SG, SK, SL, SM, SY, TJ, TM, TN, TR, TT, TZ, UA, UG, US, UZ, VC, VN, YU, ZA, ZM, ZW.

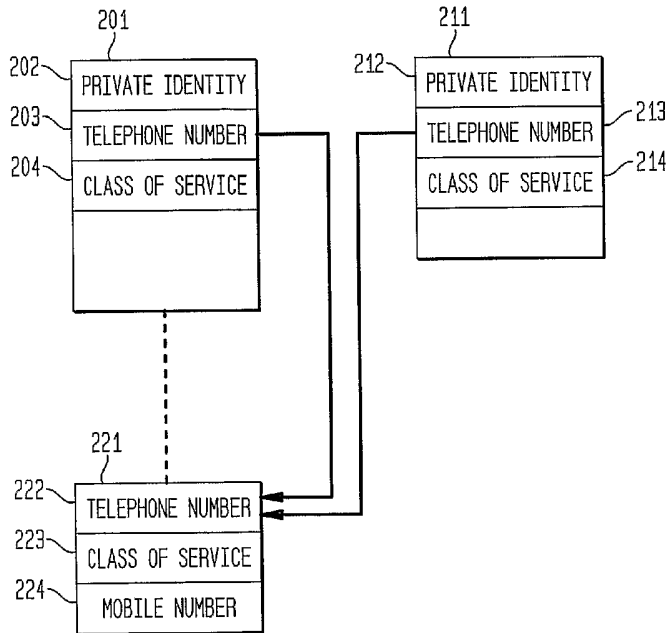
(84) Designated States (unless otherwise indicated, for every kind of regional protection available): ARIPO (BW, GH, GM, KE, LS, MW, MZ, NA, SD, SL, SZ, TZ, UG, ZM, ZW), Eurasian (AM, AZ, BY, KG, KZ, MD, RU, TJ, TM), European (AT, BE, BG, CH, CY, CZ, DE, DK, EE, ES, FI, FR, GB, GR, HU, IE, IS, IT, LT, LU, LV, MC, NL, PL, PT, RO, SE, SI, SK, TR), OAPI (BF, BJ, CF, CG, CI, CM, GA, GN, GQ, GW, ML, MR, NE, SN, TD, TG).

Published:

- with international search report
- before the expiration of the time limit for amending the claims and to be republished in the event of receipt of amendments

For two-letter codes and other abbreviations, refer to the "Guidance Notes on Codes and Abbreviations" appearing at the beginning of each regular issue of the PCT Gazette.

(54) Title: PRIVATE ROUTING CONTROL NUMBERS



(57) Abstract: A method and apparatus for permitting different treatment of calls from different callers (309). Favored callers who receive preferred treatment, the preferred treatment including the ability to complete calls, are provided with a private number. If the callers use the private number, they are subject to an incoming class of service to the called party that is substituted (309) for the class of service provided to callers who use the public telephone number of the called station. Advantageously, at the discretion of the called party different callers may be provided with different private numbers and their calls may be blocked or completed with special alerting tones.

WO 2006/127302 A1

## PRIVATE ROUTING CONTROL NUMBERS

### Technical Field

This invention relates arrangements for selectively blocking telephone calls  
5 or data communications through the use of private routing numbers.

### Background of the Invention

Spam is a general term for unwanted data or voice messages delivered  
through a telecommunications network. Spam is a particular problem in short  
message service and e-mail. For example, spam short messages account for an  
10 estimated three quarters of a yearly total of five trillion short message service  
(SMS) messages worldwide. The prevalence of spam and the relative ease of  
transmitting spam at low cost have created a near crisis in short message service  
because spam uses so much of the telecommunications resources of SMS.

Spammers usually send spam messages to mobile end users by mobile  
15 telephone numbers either in a fixed range or randomly selected. For example,  
Spammers in China generate mass spam messages from a personal computer and  
send these to the public using telephone numbers with the last four digits in the  
range 0000 to 9999. Some spammers send spam messages to particular groups of  
end users, for example, when end users subscribe to a new service by intercepting  
20 the telephone numbers of the new end user subscribers.

There have been many mechanisms and applications developed for  
screening and blocking spammer messages, either at the network or at the SMS  
center (SMSC). However, even with current advanced technologies an estimated  
10% of spam messages can go through the anti-spam filtering and reach the end  
25 users. Considering the huge number of spam messages being generated today,  
even receiving a small percentage of spam messages will still cause dissatisfaction  
to end users and waste large amount of SMS resources.

### Summary of the Invention

The above problem is substantially alleviated, especially for receiving  
30 customers who wish to be protected against the reception of a large number of  
spam messages, in accordance with this invention wherein the telecommunications  
terminal identified by a telephone number, such as an E.164 number, is permitted  
to associate with that number a private identification such as a private set of

alphanumeric characters or a private number with special routing attributes. The routing attribute of the main number can either be "block all calls" or "complete only voice calls". Advantageously, only the callers who know the private number can have their calls or their non-voice calls completed.

5           In accordance with one preferred embodiment of the invention, the private numbers are arbitrary numbers, for example, resembling an e-mail address. Advantageously, this arrangement provides for the availability of private numbers without using the much more limited number of telephone numbers.

10           In accordance with another feature of Applicant's invention, the end user terminal can provide a private number which is checked for legitimacy (uniqueness) and can assign to each private number a routing strategy such as completion of voice calls but not SMS calls; or completion only of SMS calls; or completion only of e-mail calls; or completion of voice calls only; or forwarding of voice calls on busy. The public number can then be used for simple completion of  
15 voice calls. Advantageously, an end user can have several different private numbers and can selectively distribute different ones of these private numbers to different callers.

          In accordance with one feature of Applicant's preferred embodiment, the end user can change private numbers or change the routing strategies for existing  
20 private numbers associated with his/her basic telephone number. This can be done in a number of ways:

(1) A subscriber can login a service provider's website via the Internet with a user ID (can be the basic telephone number) and a password. The website then provides menu selection to add new and modify existing private number(s); (2) A  
25 subscriber can dial a 1-800 number to an interactive voice response (IVR) system to add/modify private numbers with user ID and password accessing. The service provider will have menu access to direct the provisioning of private numbers; (3) Mobile phone access (with password or PIN). The subscriber can dial a special number or URL to access the database to add/modify private numbers; (4) The  
30 mobile subscriber can send an SMS to a special destination to add/modify private numbers (no password, since the mobile number is enough).

In accordance with one preferred embodiment of Applicant's invention, the telecommunications network used to carry the communications is a mobile network and the home location register (HLR) of that network is used to store the translation from the private number to the telephone number of the terminal having that private number. If the HLR does not contain the private number then the HLR queries its associated short message service center SMSC. More specifically one of the following options is available: (1) The basic telephone number and private numbers mapping tables can be stored in the MSC, or HLR which is a subscriber database for a location and routing address; (2) The SMSC has its own database for subscriber and services. It is important that SMSC checks if SMS message should be rejected if only the subscriber provisioned particular private number is allowed for SMS service. This is an anti-SPAM feature. (3) The mapping table in both the MSC and HLR can be used for routing purposes. If the MSC cannot find the translation in its local database, it queries HLR for the translation. In the prior art, the MSC has the mobile number but does not know where to route the call; it queries the HLR for a routing address wherein the mobile subscriber registered at the HLR with the most current location information. But in this application, there are two possibilities (a) the MSC has translated the private number to a basic number but does not know the routing address; it queries the HLR for a routing address by providing the basic number and the HLR returns the routing address; (b) if the MSC cannot find a translation of the private number, it queries the HLR for both translation and routing address and the HLR responds with both the number and routing address. (4) For a voice call, the MSC will route the call to a destination network once the routing address is available; for an SMS call, the MSC will route the call to an SMSC first if it is a MO (Mobile Originating) SMS. The SMSC processes the SMS call and routes the call to MSC again which delivers the call to a destination SMSC (the SMSC will query to HLR if it does not know the B party routing address) to obtain a translation.

If a translation is still not available, a broader network-wide database is queried. The translation will provide the telephone number (so that calls may be completed in the conventional way using the existing telecommunications network

infrastructure) and the routing privileges (e.g., SMS terminating, voice terminating, e-mail terminating) associated with that private number.

Advantageously, with this type of arrangement, a telecommunications terminal user has great flexibility in controlling unwanted incoming traffic.

5 **Brief Description of the Drawing(s)**

FIG. 1 is a block diagram illustrating the operation of Applicant's invention;

FIG. 2 is a diagram showing elements of the database for implementing Applicant's invention;

10 FIG. 3 is a flow diagram showing the operation of Applicant's invention; and

FIG. 4 is a flow diagram illustrating the process of changing the database of Applicant's invention.

**Detailed Description**

15 FIG. 1 is a block diagram illustrating the operation of Applicant's invention. It shows two terminals 1 and 2. In the illustrated example, terminal 2 calls terminal 1 and terminal 1 has populated the database for determining the treatment of private identifications such as private numbers associated with mobile station 1. Mobile stations 1 and 2 communicate through base stations 3 and 4 with  
20 mobile switching centers 5 and 6. Mobile switching centers are interconnected by network 11. Mobile switching center 5 receives data from home location register (HLR) 7 and also communicates with short message service center (SMSC) 9. For the MT (Mobile Terminating) case, the Terminating SMSC receives SMS  
25 messages from the terminating MSC which queries the HLR for a routing address of the called party. The SMSC processes SMS message (including filtering) and directs the terminating MSC to deliver SMS to the called party. In this application, the terminating SMSC will decide whether it should deliver the SMS based on a private number and class of services. When the originating MSC delivers signaling  
30 to a terminating MSC, it may include both the basic number and the private number in the signaling. Similarly, mobile switching center 6 communicates with HLR 8 and SMSC 10. HLR 7, HLR 8, SMSC 9, and SMSC 10 all communicate

with a network database 12 to obtain information which is required for serving a call but which is not found in the HLR or the SMSC.

Also connected to network 11 is e-mail server 13 connected to the IP network 15. A mobile station can send e-mail to the e-mail server which directs the e-mail to a destination e-mail server via the IP network. The destination e-mail server will then deliver the e-mail to the receiver. If mobile station 2 wishes to send an e-mail to mobile station 1, the call is initially routed to MSC 5 which by checking in its HLR record the private or public name supplied by mobile station 2 routes the call from mobile station 2 to an e-mail server 13 along with an indication of the class of service to be provided, for example, whether the message is to be accepted, or whether the message is to be flagged as a high priority message. The MSC will query the HLR to get the IP address of the e-mail server, and will route the message over the IP network to that server. The MSC and HLR database with provisioned private number and class of services can determine whether the email shall be delivered or rejected. The terminating e-mail server will deliver the e-mail to the receiver. The receiver can access the e-mail from any kind of devices including mobile station 1.

A land-based station 20, connected to a local switch 21 can also use the principles of this invention. The local switch 21 has access to a local database 22 for interpreting private routing control numbers. The local database can also access network database 12 in case a dialed private routing control number is not in the local database. Calls are routed from local switch 21 via network 11 in essentially the same way as calls from a mobile switching center.

A tone and announcement generator 14 is used to send tones and announcements to a destination terminal. The tones or announcements can be used to provide an identifying signal or message to a destination station.

When making changes in the private routing control number database, an interactive voice response unit 16, attached to network 11, can be used for the dialog between the station making changes and the private routing control number database.

FIG. 2 is a diagram showing the database relationships among the database entries for the private numbers and the public telephone number. For each private

number, such as private number 202 in block 201, there is recorded the public telephone number 203 that corresponds to this private number. Also recorded is the class of service to be provided to the caller if the caller is using the private number of block 201. The class of service is stored in area 204 of block 201. The  
5 telephone number 203 provided in block 201 is a link to an entry for the public telephone number of the called mobile station. Stored in block 221 is this telephone number 222, the class of service for that telephone number 223, and, optionally, the mobile identification number. The class of service 204 is substituted for the class of service 223 if the private number 202 is used instead of  
10 the telephone number 222 of the called mobile station.

Block 211 illustrates data stored for a private number. The data includes the private number 212, the basic (public) telephone number 213, and the class of service 214. The basic telephone number 213 includes a pointer to block 221.

FIG. 3 is a flow diagram illustrating the operation of Applicant's invention.  
15 A call is received in a serving mobile switching center such as MSC 6 (action block 301). Test 303 determines whether the called number provided by the caller is an E.164 number, i.e., a conventional telephone number. If the result of test 303 is positive, then the call is processed as in the prior art (action block 305). If the called number provided by the caller is not an E.164 number, then the number  
20 provided by the caller is translated to an E.164 number and the class of service for the private number called by the caller is provided. The E.164 number is used to obtain the mobile identification number and if an E.164 number was not originally dialed, the class of service associated with the private number is substituted for the class of service of the E.164 number (action block 309). The call is then processed  
25 using the E.164 number but also using the substituted class of service obtained in step 307 (action block 311).

FIG. 4 illustrates the process of updating the private number database. A network management system receives a request to alter the private number data and receives the PIN associated with the party requesting the alteration. This can  
30 be done in one of 4 ways: (1) A subscriber can login a service provider's website via the Internet with a user ID (can be the basic telephone number) and a password. The website then provides menu selection to add new and modify existing private

number(s); (2) A subscriber can dial a 1-800 number to an interactive vice response (IVR) system to add/modify private numbers with user ID and password accessing. The service provider will have menu access to direct the provisioning of private numbers; (3) Mobile phone access (with password or PIN). The subscriber can dial a special number or URL to access the database to add/modify private numbers. (4) The mobile subscriber can send an SMS to a special destination to add/modify private numbers (no password, since the mobile number is enough).

Test 403 is used to determine if the PIN is correct for the mobile station that is making the request. If not, the change request is rejected (action block 405). If the PIN is correct, then a dialogue between the database and the mobile station ensues in order to change the private number data, either to change the private number or to change the class of service of that private number or both. If the private number is being changed, the new private number is checked to make sure it doesn't conflict with an existing private number.

If the calling device is a telephone station and not a personal computer, then the private number is indicated by a prefix, such as \*\*\*, and followed by a numerical private number.

Each private number can be mapped to a different distinguishing alerting tone which will be played to the called party so that the called party is put on notice who is calling. The MSC will map a private number to a distinguishing tone ID from the mapping table and send a Tone ID to Intelligent Peripheral (IP) device to play the tone to the called party.

A private number can indicate a requested call forwarding. For example, private number A is forwarded to home phone number, private number B is forwarded to office number, private number C is forwarded to voice mail.

The above description is of one preferred embodiment of Applicant's invention. Other embodiments will be apparent to those of ordinary skill in the art without departing from the scope of the invention. The invention is limited only by the attached claims.

**Claims:**

1. A method of providing differentiated incoming service to callers of a mobile station, comprising the steps of:
  - providing a private identification to callers who are to receive differentiated  
5 incoming service to said mobile station;
  - populating a database with said private identification and with a class of service for incoming calls;
  - responsive to receipt of an incoming call to said private identification, substituting said stored class of service for the class of incoming service provided  
10 to callers who call a main telephone number of said mobile station.
2. The method of claim 1 wherein said private identification is readily differentiable from a main telephone number of any mobile station.
3. The method of claim 1 wherein said mobile station can transmit messages to request an alteration of contents of said database.
- 15 4. The method of claim 3 wherein a user of said mobile station provides a personal identification number (PIN) to permit a change of said database entry; and wherein unauthorized users who do not know said PIN are prevented from changing said database contents.
5. The method of claim 1 wherein using the substituted stored class of  
20 service provides a special alerting (ringing) tone.
6. The method of claim 1 wherein the database is part of a telecommunications network for serving said mobile station.
7. The method of claim 1 wherein said stored class of service requests a routing of said incoming call that is different from a routing of said call if said  
25 main number is called.
8. The method of claim 1 wherein said private identification comprises a header, different from a header of a mobile telephone number, and a group of numerical characters, wherein said private identification can be keyed from a plain old telephone service (POTS) telephone station.

9. A method of providing differentiated e-mail service to callers of an e-mail destination, comprising the steps of:

providing a private identification to callers who are to receive differentiated e-mail service to said e-mail destination;

5       populating a database with said private identification and with a class of service for e-mail service to said e-mail destination using said private identification;

10       responsive to receipt of an e-mail message to said private identification, substituting said stored class of service for a class of e-mail service provided to callers who call a main identification of said e-mail destination.

10. A method of providing differentiated incoming service to callers of a land based telephone station, comprising the steps of:

providing a private identification to callers who are to receive differentiated incoming service to said land based telephone station;

15       populating a database with said private identification and with a class of service for incoming calls;

responsive to receipt of an incoming call to said private identification, substituting said stored class of service for the class of incoming service provided to callers who call a main number of said land based telephone station.

FIG. 1

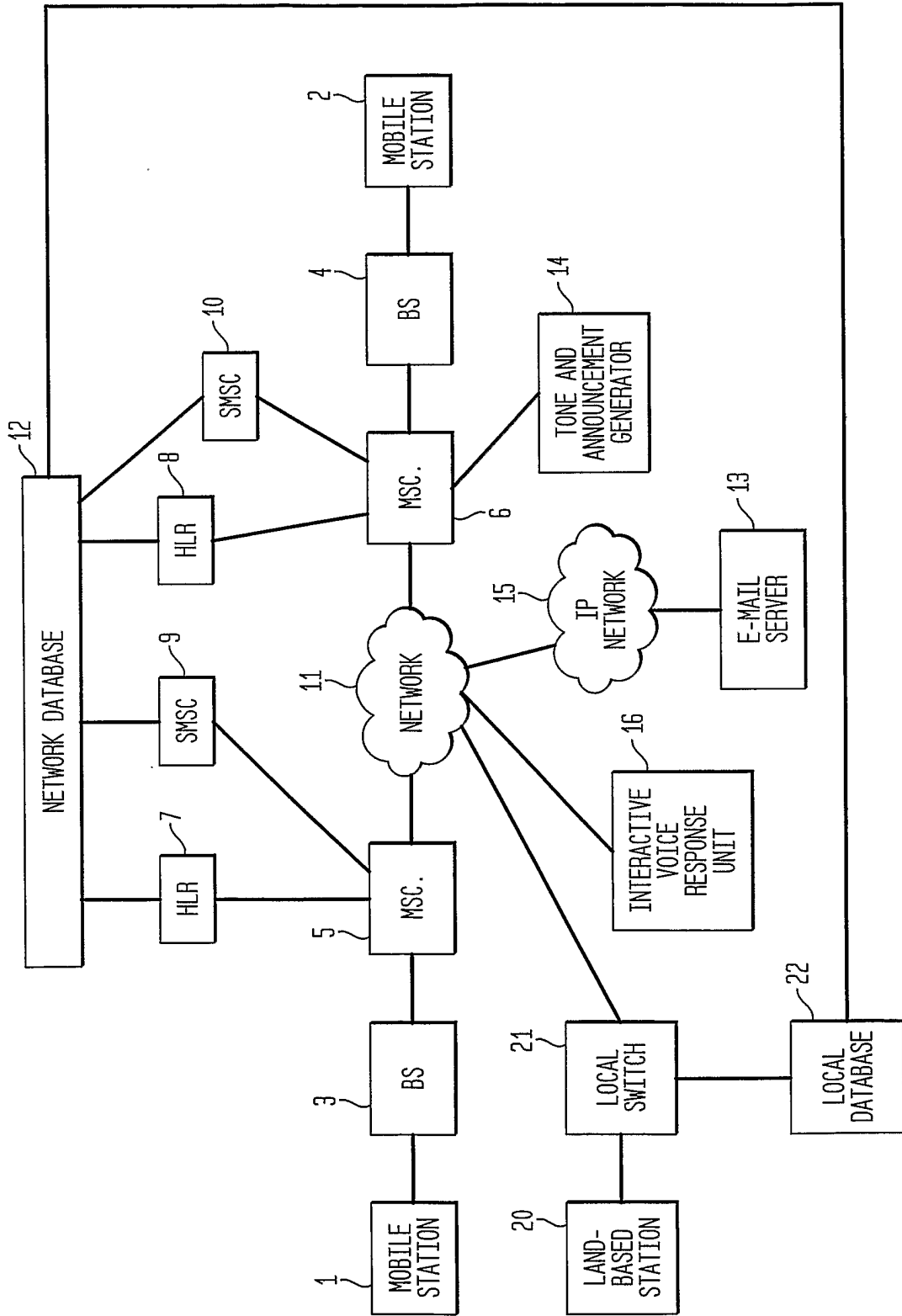
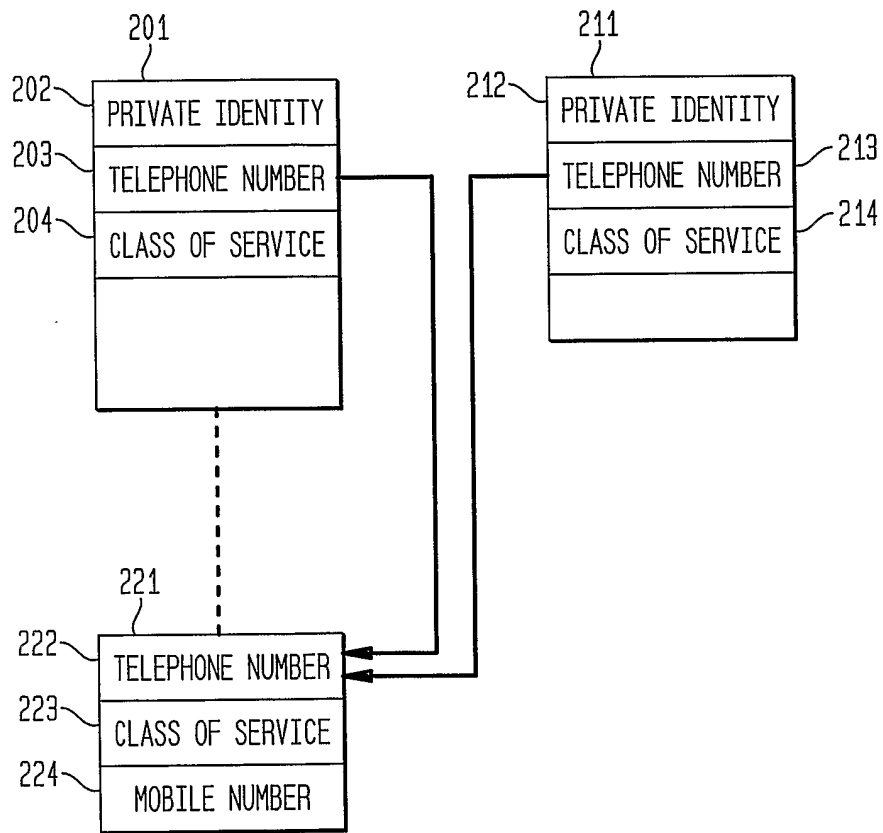


FIG. 2



3/3

FIG. 3

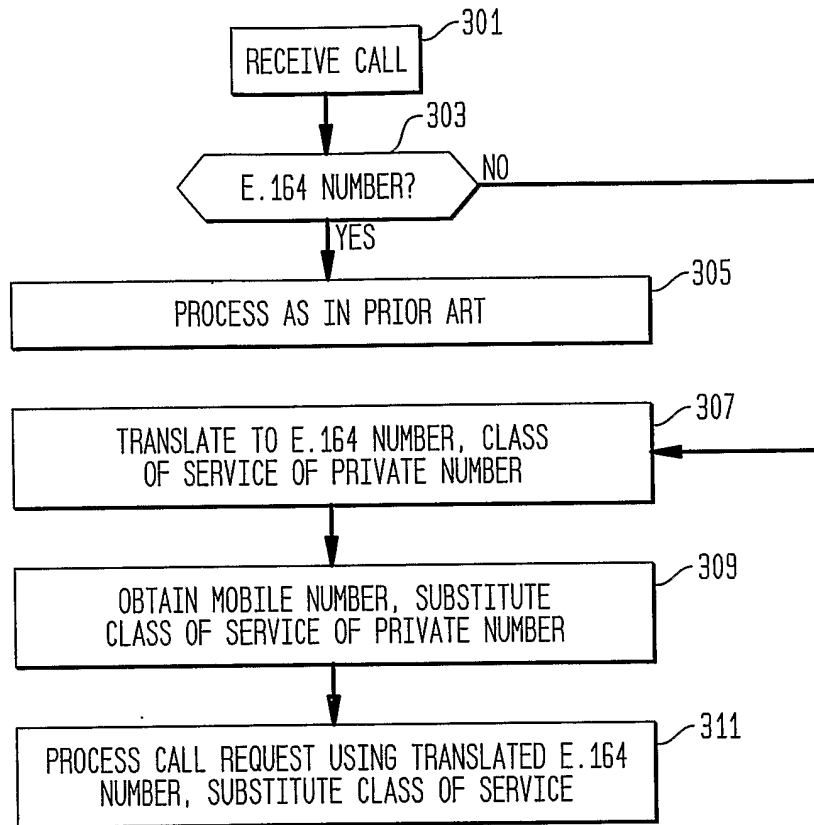
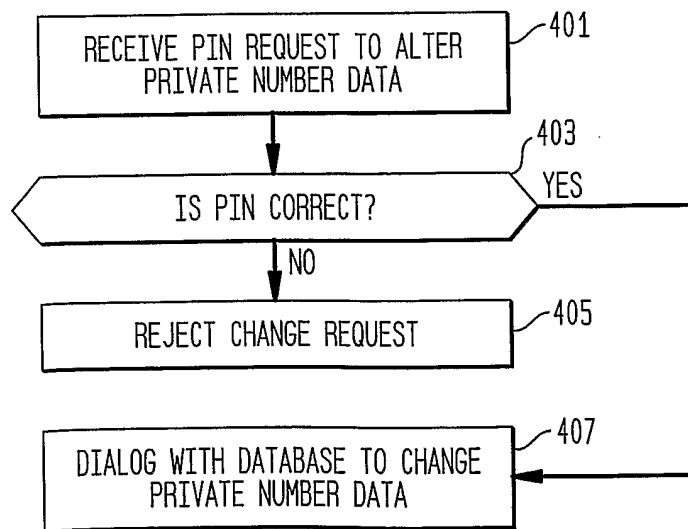


FIG. 4



**INTERNATIONAL SEARCH REPORT**

International application No  
PCT/US2006/018511

**A. CLASSIFICATION OF SUBJECT MATTER**  
INV. H04Q7/38 H04Q7/24 H04Q7/22 H04M3/42

According to International Patent Classification (IPC) or to both national classification and IPC

**B. FIELDS SEARCHED**

Minimum documentation searched (classification system followed by classification symbols)  
H04Q H04M

Documentation searched other than minimum documentation to the extent that such documents are included in the fields searched

Electronic data base consulted during the international search (name of data base and, where practical, search terms used)

EPO-Internal, WPI Data

**C. DOCUMENTS CONSIDERED TO BE RELEVANT**

Category*	Citation of document, with indication, where appropriate, of the relevant passages	Relevant to claim No.
X	3GPP: "IP Multimedia Subsystem (IMS)" 3GPP TS 23.228 V6.9.0, March 2005 (2005-03), pages 1,24-27, 30,31,38,39,81-83-89-91, XP002400000 pages 24-27 chapter 4.3.3 figures 4.5, 4.6 pages 30-31 chapter 4.6.3 pages 38-39 chapter 5.2.1a.0 figure 5.0c pages 81-83 chapter 5.6.3 figure 5.16 pages 89-91 chapter 5.7.2 figure 5.18 ----- -/--	1-10

Further documents are listed in the continuation of Box C.

See patent family annex.

\* Special categories of cited documents :

- \*A\* document defining the general state of the art which is not considered to be of particular relevance
- \*E\* earlier document but published on or after the international filing date
- \*L\* document which may throw doubts on priority claim(s) or which is cited to establish the publication date of another citation or other special reason (as specified)
- \*O\* document referring to an oral disclosure, use, exhibition or other means
- \*P\* document published prior to the international filing date but later than the priority date claimed

- \*T\* later document published after the international filing date or priority date and not in conflict with the application but cited to understand the principle or theory underlying the invention
- \*X\* document of particular relevance; the claimed invention cannot be considered novel or cannot be considered to involve an inventive step when the document is taken alone
- \*Y\* document of particular relevance; the claimed invention cannot be considered to involve an inventive step when the document is combined with one or more other such documents, such combination being obvious to a person skilled in the art.
- \*Z\* document member of the same patent family

Date of the actual completion of the international search

22 September 2006

Date of mailing of the international search report

05/10/2006

Name and mailing address of the ISA/

European Patent Office, P.B. 5818 Patentlaan 2  
 NL - 2280 HV Rijswijk  
 Tel. (+31-70) 340-2040, Tx. 31 651 epo nl,  
 Fax: (+31-70) 340-3016

Authorized officer

Matt, Stefan

## INTERNATIONAL SEARCH REPORT

International application No  
PCT/US2006/018511

C(Continuation). DOCUMENTS CONSIDERED TO BE RELEVANT

Category*	Citation of document, with indication, where appropriate, of the relevant passages	Relevant to claim No.
X	US 6 671 523 B1 (NIEPEL ALEXANDER ET AL) 30 December 2003 (2003-12-30) abstract figures 1,2 column 1, line 60 - column 3, line 10 column 5, line 40 - line 59	1-10
X A	WO 98/42115 A (TELECOM FINLAND OY; TORRKI, MARKUS) 24 September 1998 (1998-09-24) abstract page 2, lines 3-28 page 4, line 13 - line 29 page 5, line 20 - line 25 page 6, line 1 - line 24 claim 1	1,8-10 2-8
A	WO 00/39988 A (TELEFONAKTIEBOLAGET LM ERICSSON) 6 July 2000 (2000-07-06) abstract page 10, line 3 - page 11, line 3 claims 1,6 figures 2a,2b,3a,4,5	3,4
A	WO 98/31163 A (TANDEM COMPUTERS, INCORPORATED) 16 July 1998 (1998-07-16) abstract page 2, line 27 - page 3, line 21 page 2, line 28 - page 3, line 4 page 6, line 6 - page 7, line 12 figures 2-4	1-10

# INTERNATIONAL SEARCH REPORT

Information on patent family members

International application No PCT/US2006/018511
---

Patent document cited in search report	Publication date	Patent family member(s)	Publication date	
US 6671523	B1	30-12-2003	DE 19947077 A1 EP 1091604 A2	10-05-2001 11-04-2001
WO 9842115	A	24-09-1998	AT 284594 T AU 5866898 A DE 69828041 D1 DE 69828041 T2 EE 9900411 A EP 0980622 A1 FI 102128 B1 HU 0001975 A2 US 6771757 B1	15-12-2004 12-10-1998 13-01-2005 10-11-2005 17-04-2000 23-02-2000 15-10-1998 28-09-2000 03-08-2004
WO 0039988	A	06-07-2000	AU 2135300 A EP 1155554 A1 JP 2002534848 T	31-07-2000 21-11-2001 15-10-2002
WO 9831163	A	16-07-1998	NONE	